

# Montageanleitung

## Gartenhäuser



[www.weka-holzbau.com](http://www.weka-holzbau.com)

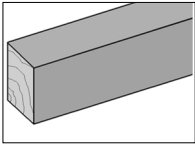
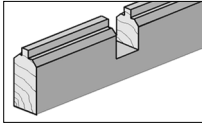
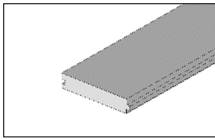
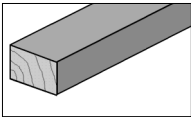
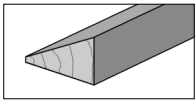
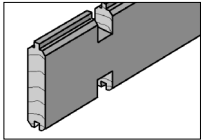
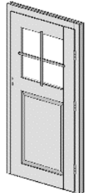
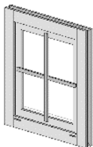
DE

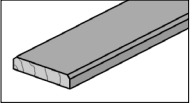
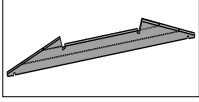
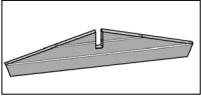
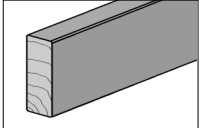
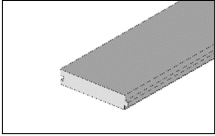
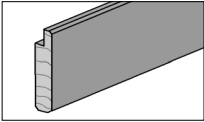
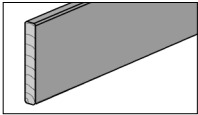
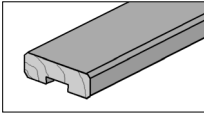
**GEBRAUCHS- UND  
WARTUNGSANLEITUNG**

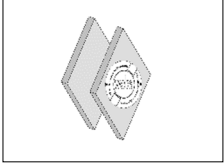
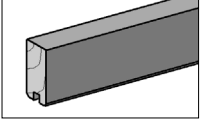
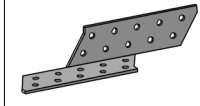
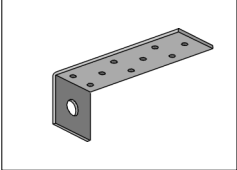
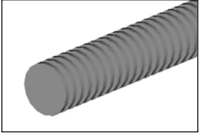

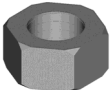
T2-20.02

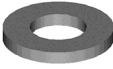






Stand: 2117

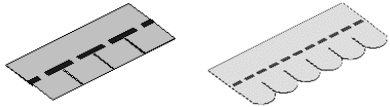
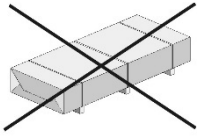



| Pos | Bild  | Abmessung                        | Bemerkung                        |
|-----|---|----------------------------------|----------------------------------|
| ①   |    | 50 / 70                          |                                  |
| ②   |    | 21 / 63<br>28 / 63<br>45 / 63    | 21mm WS<br>28 mm WS<br>45 mm WS  |
| ③   |    | 19,5 / 121                       |                                  |
| ④   |   | 15 / 25                          |                                  |
| ⑤   |  | 28 / 45                          |                                  |
| ⑥   |  | 21 / 121<br>28 / 121<br>45 / 121 | 21 mm WS<br>28 mm WS<br>45 mm WS |
| ⑦   |  |                                  |                                  |
| ⑧   |  |                                  |                                  |

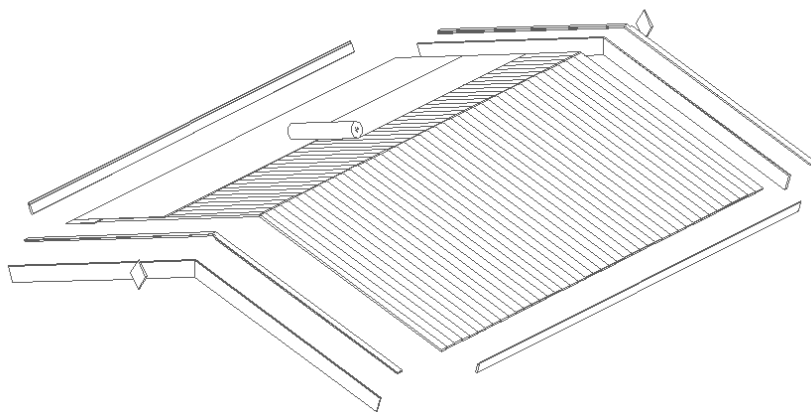
| Pos | Bild  | Abmessung  | Bemerkung |
|-----|---|------------|-----------|
| 9   |    | 11 / 58    |           |
| 10  |    |            |           |
| 11  |    |            |           |
| 12  |   | 45 / 146   |           |
| 13  |  | 19,5 / 121 |           |
| 14  |  | 18,5 / 96  |           |
| 15  |  | 18,5 / 146 |           |
| 16  |  | 18,5 / 58  |           |

| Pos | Bild  | Abmessung        | Bemerkung |
|-----|---|------------------|-----------|
| 17  |    | 18,5 / 160 / 260 |           |
| 18  | -   | -                | -         |
| 19  |    |                  |           |
| 20  |   |                  |           |
| 21  |  | 40 / 40 / 140    |           |
| 22  |  | M8               |           |
| 23  |  |                  |           |
| 24  |  | M8               |           |

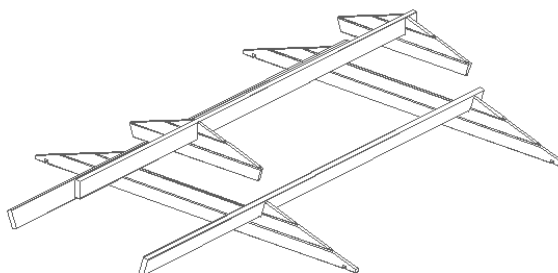
| Pos | Bild  | Abmessung | Bemerkung                        |
|-----|---|-----------|----------------------------------|
| 25  |    |           |                                  |
| 26  |    | 5,0 x 120 |                                  |
| 27  |    | 5,0 x 80  |                                  |
| 28  |  | 4,0 x 40  |                                  |
| 29  |  | 3,5 x 35  |                                  |
| 30  |  | 5,0 x 20  | 21 mm WS<br>28 mm WS<br>45 mm WS |
| 31  |  | 22 x 55   |                                  |
| 32  | -   | -         | -                                |

| Pos | Bild  | Abmessung | Bemerkung   |
|-----|---|-----------|---|
| 33  |  |           |  |
| 34  |  | 16 x 30   |   |

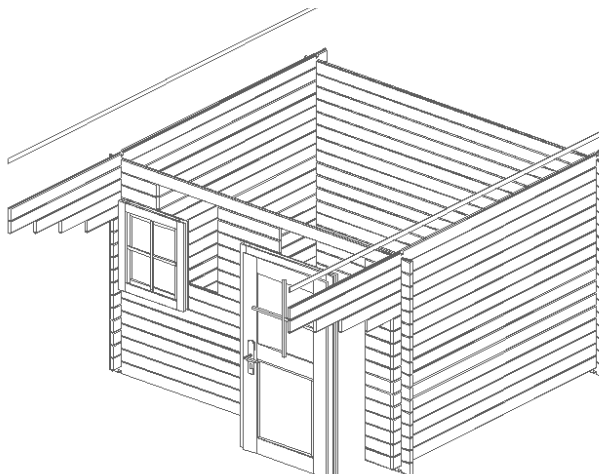
## Dachmontage



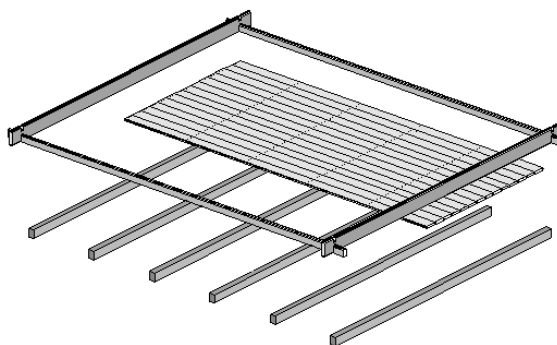
## Giebelmontage

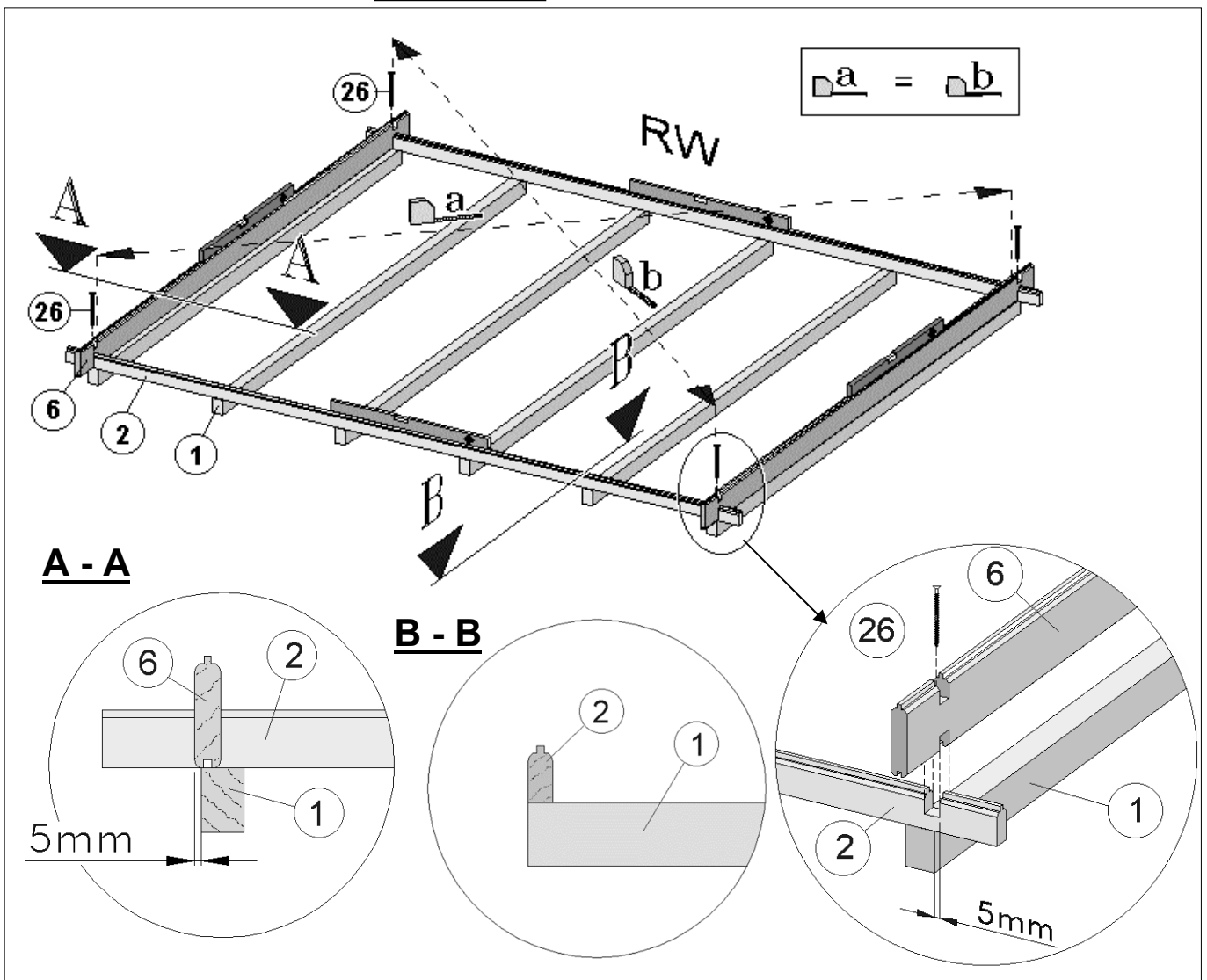
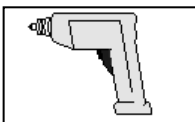
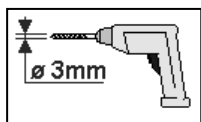
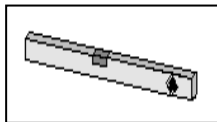
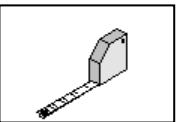
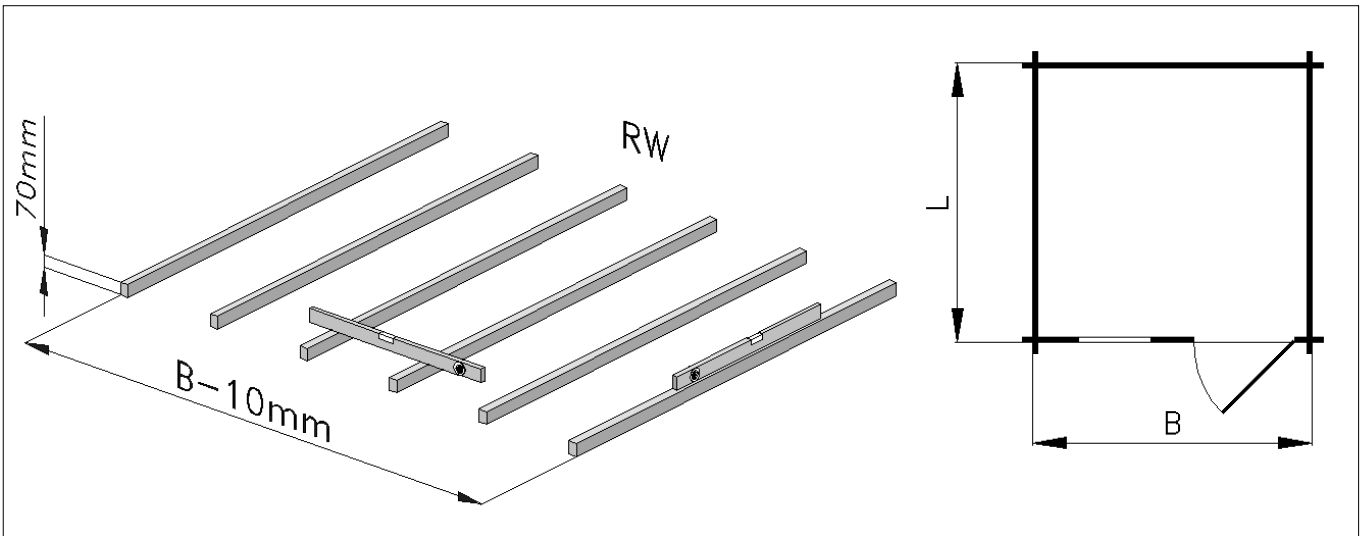
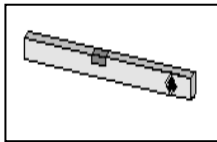
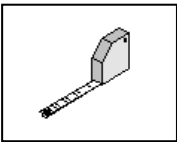


## Wandmontage

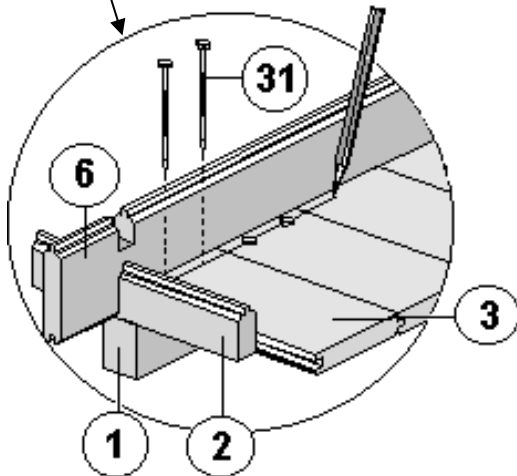
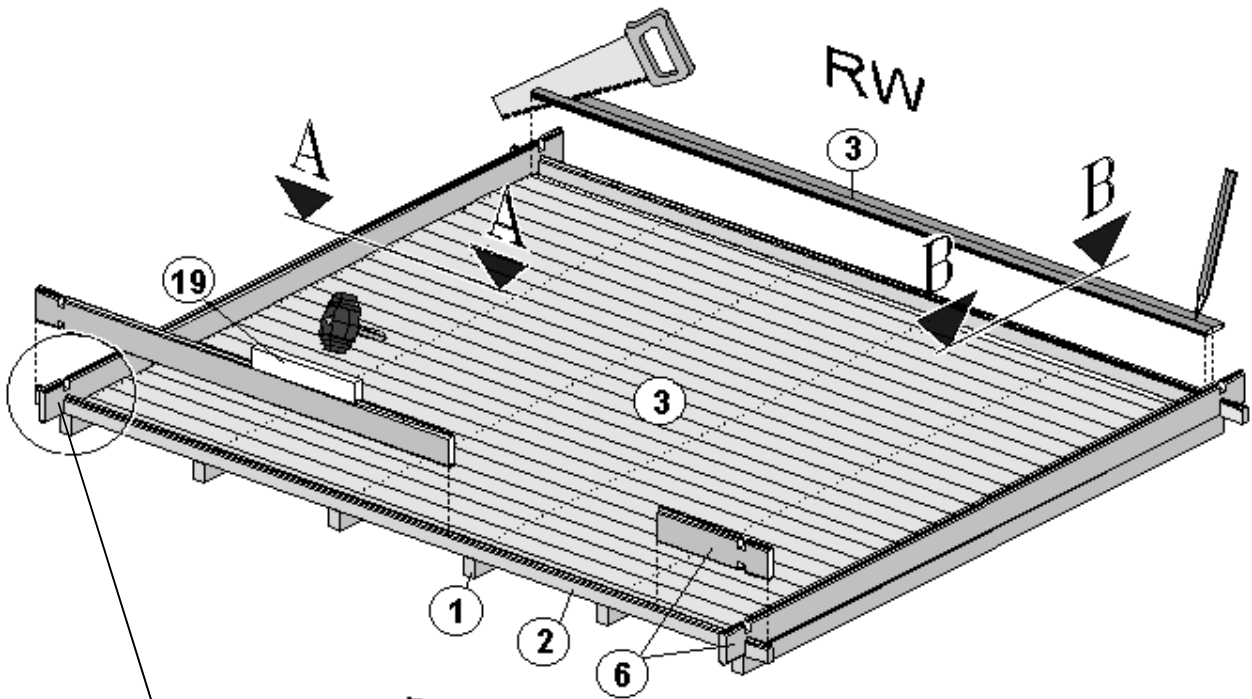
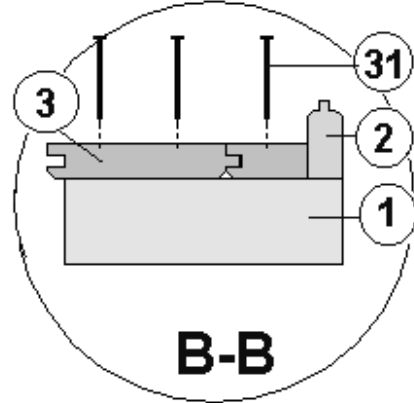
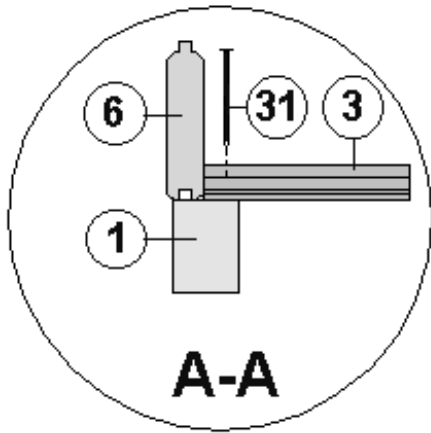
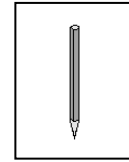
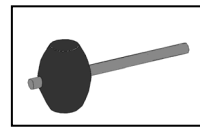
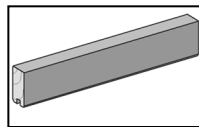
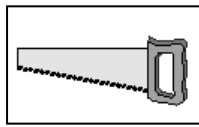
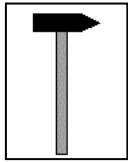


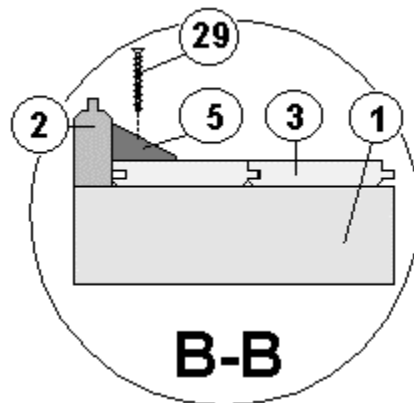
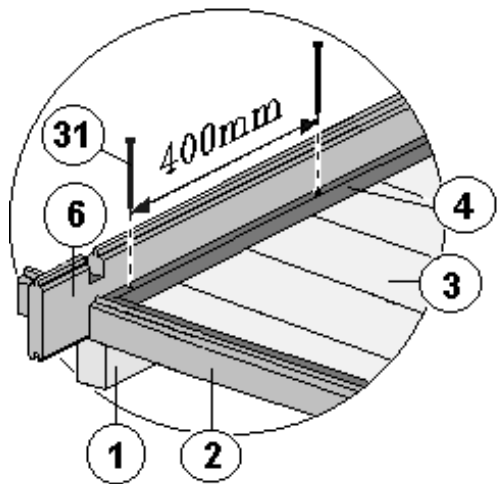
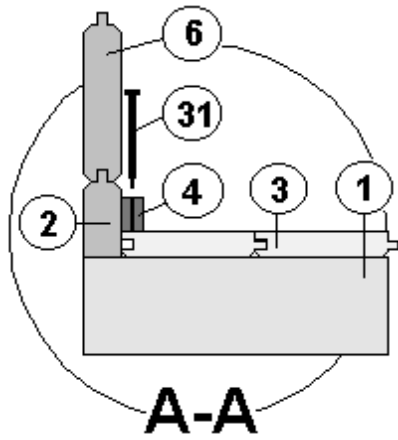
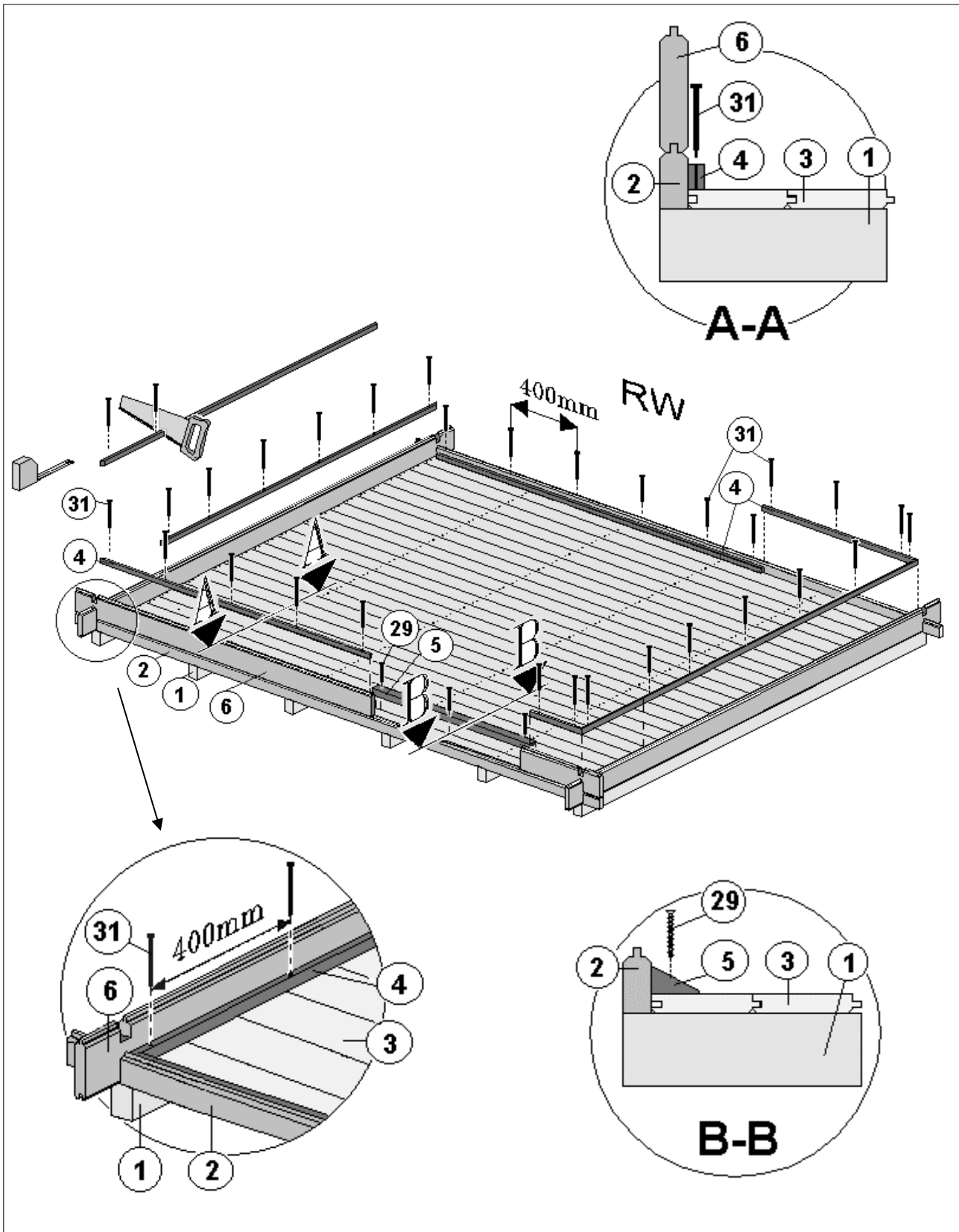
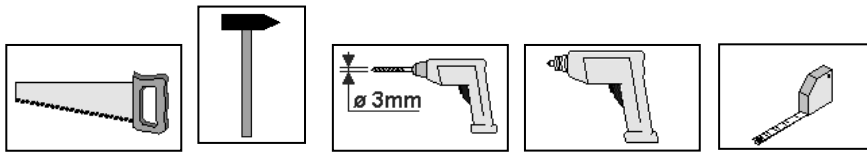
## **Fußbodenmontage**



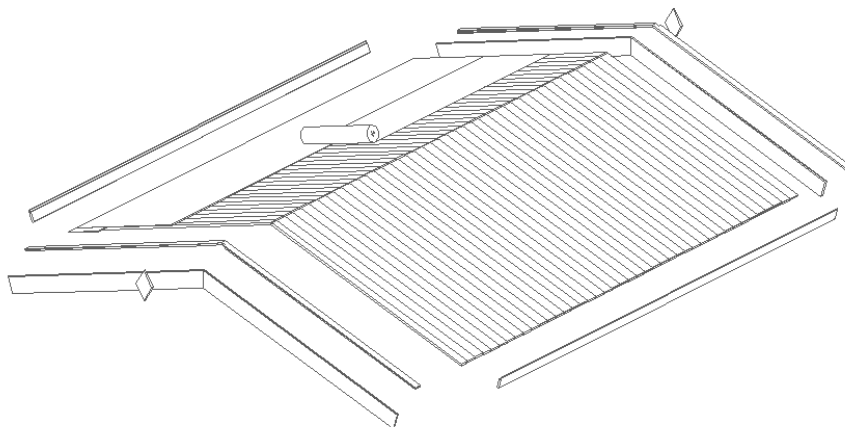




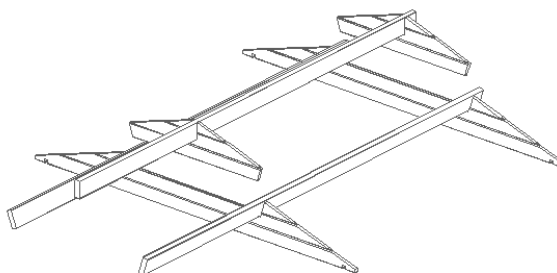




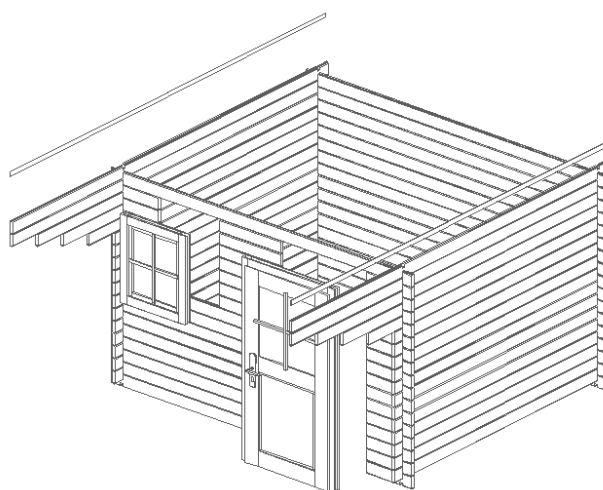
## Dachmontage



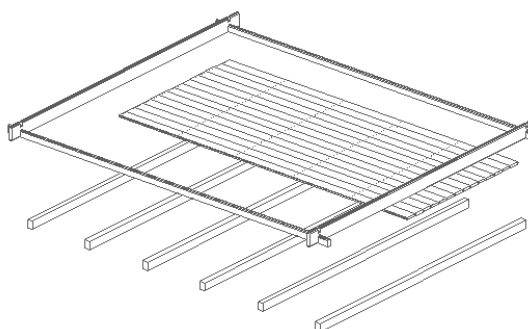
## Giebelmontage

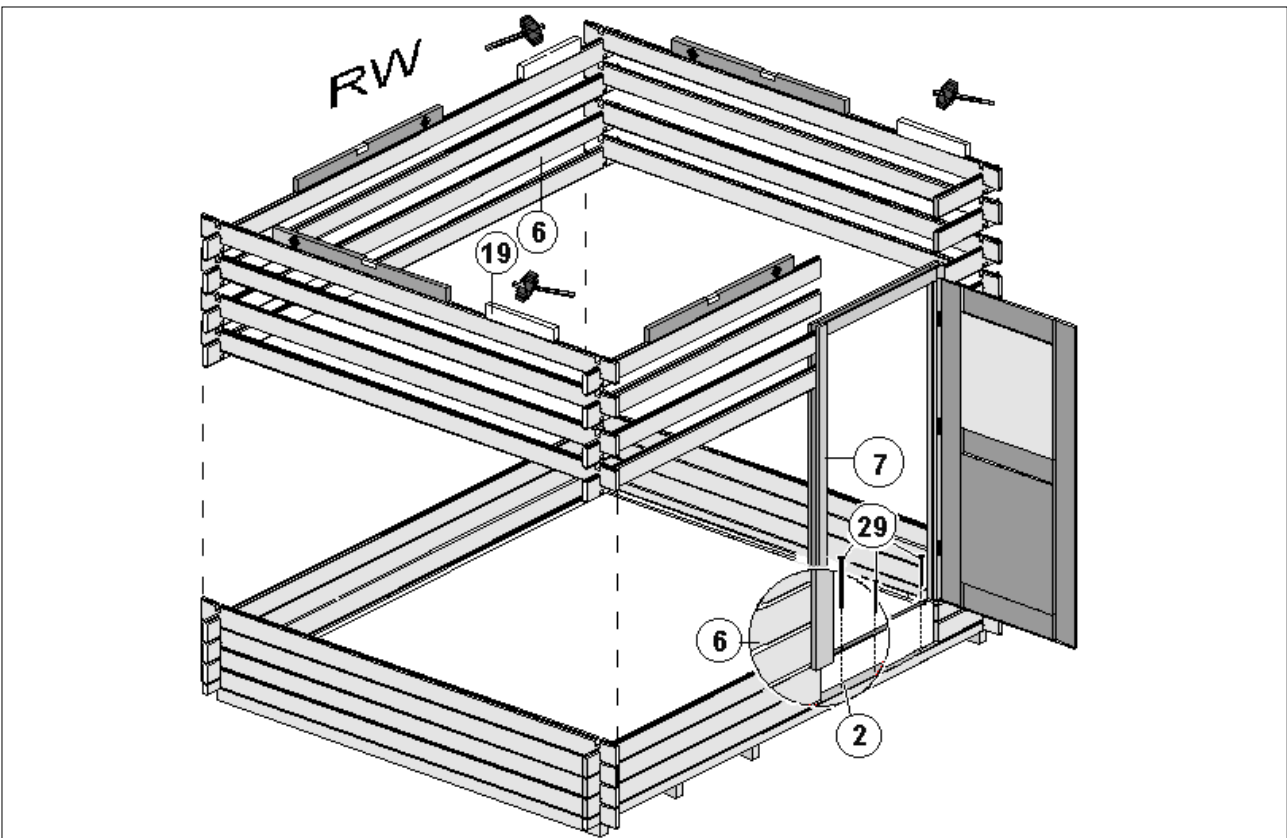
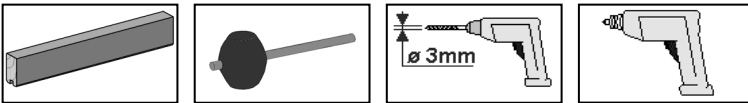
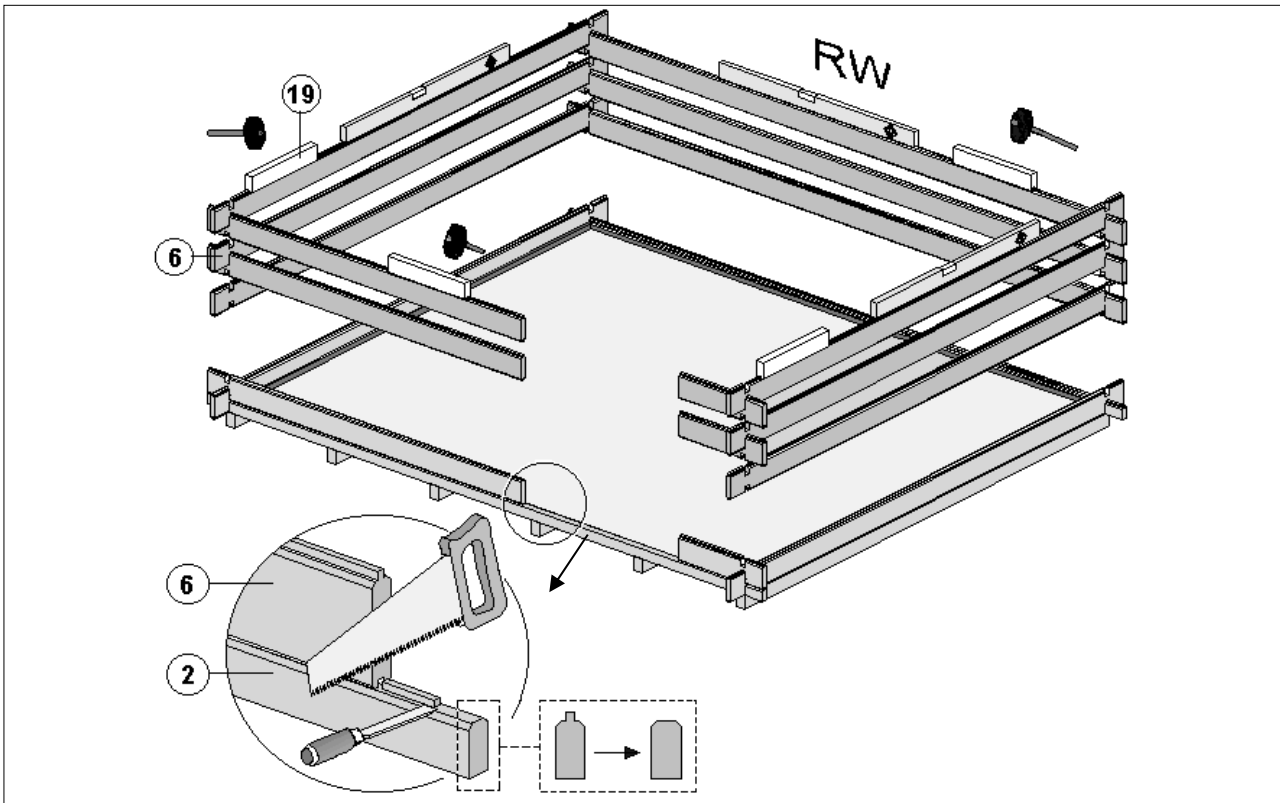
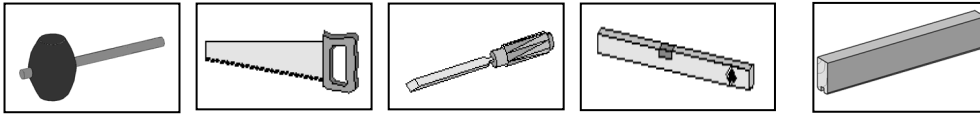


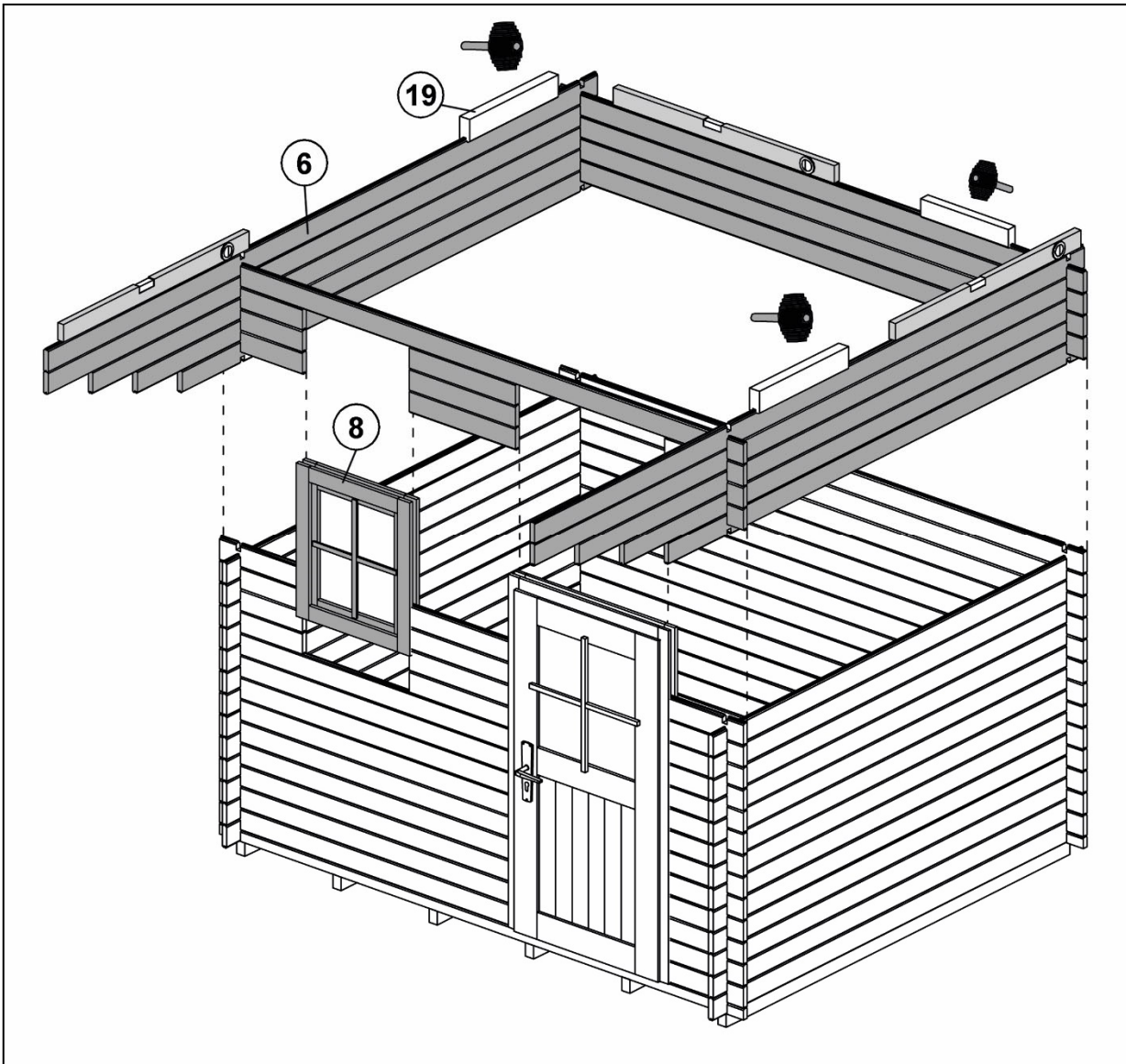
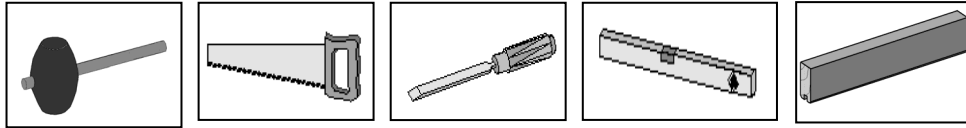
## Wandmontage



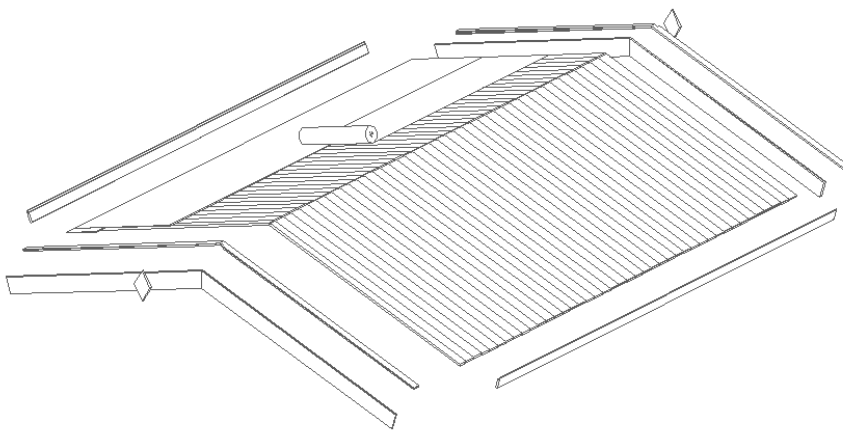
## Fußbodenmontage



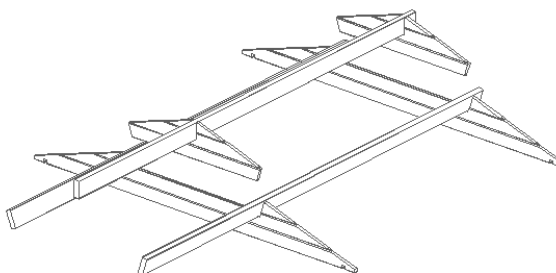




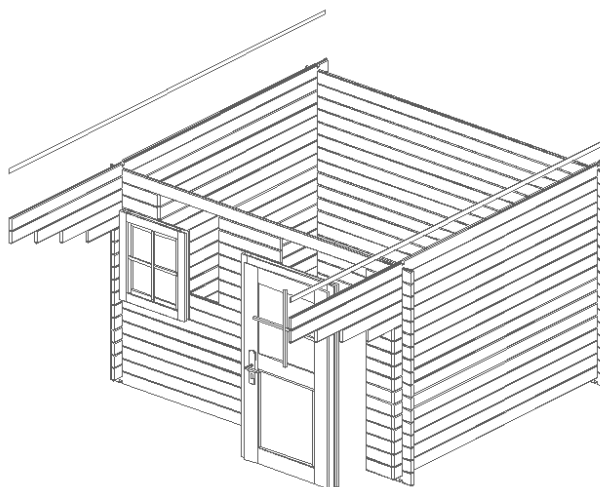
## Dachmontage



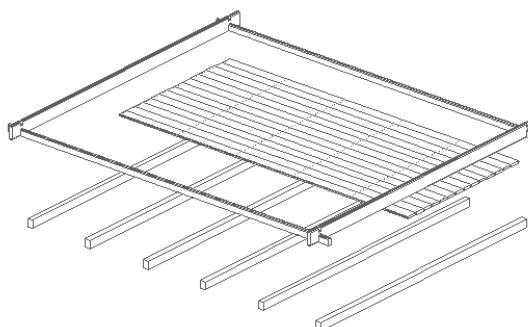
## Giebelmontage

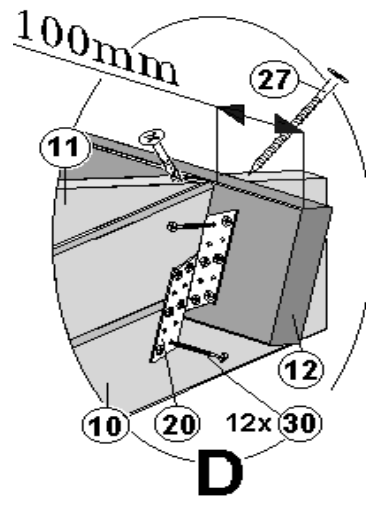
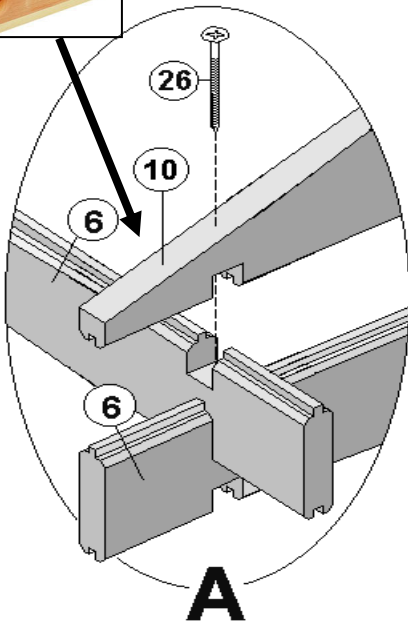
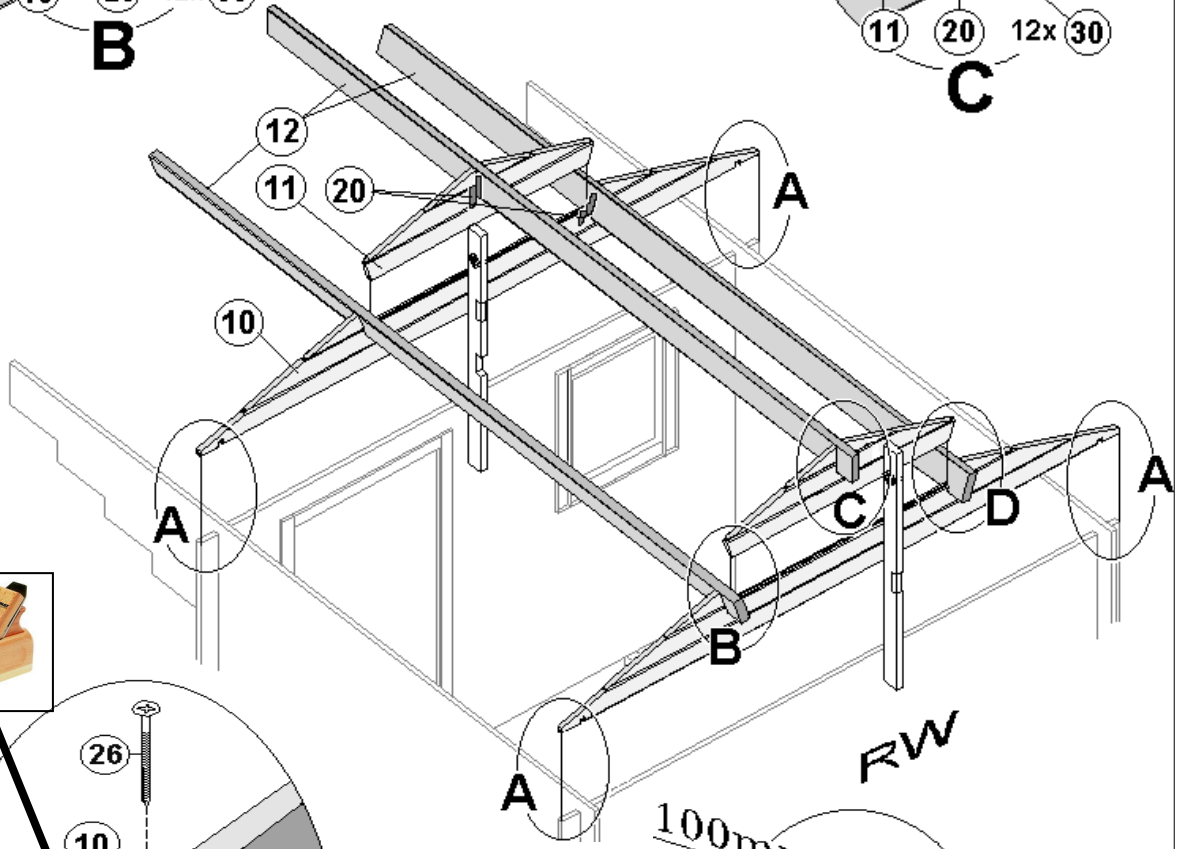
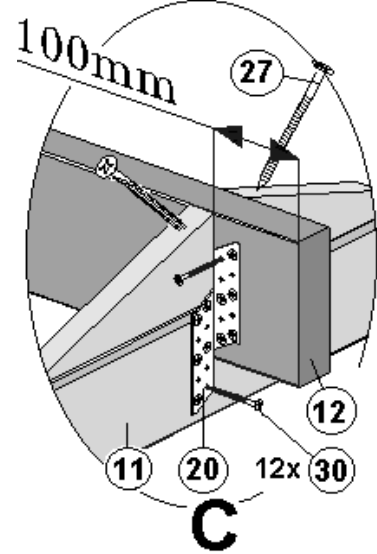
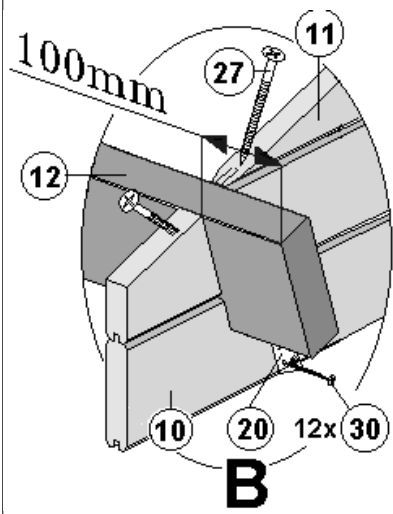
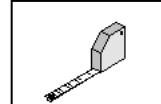
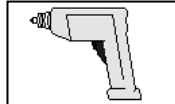
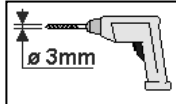
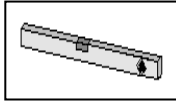


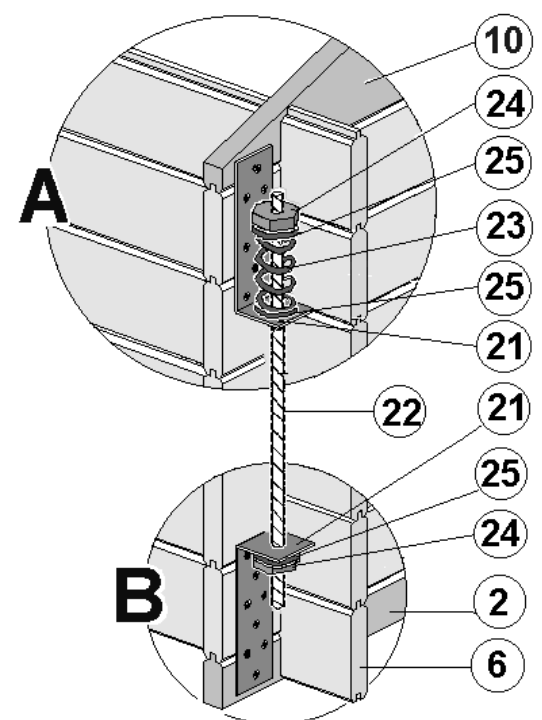
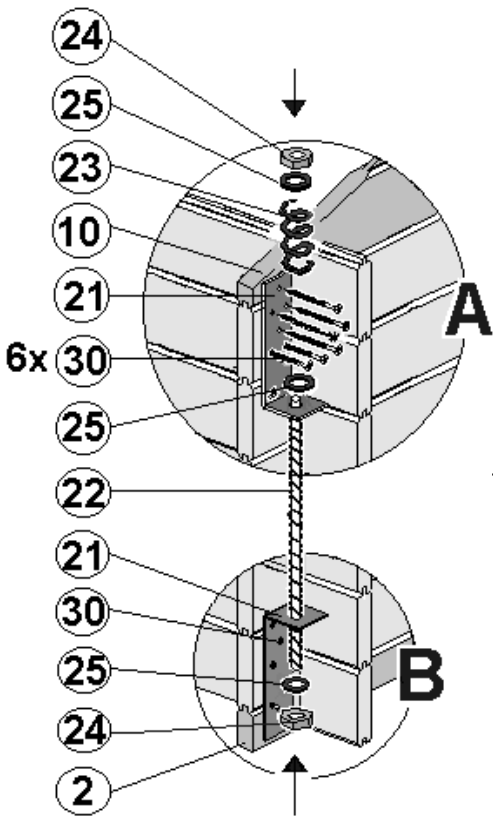
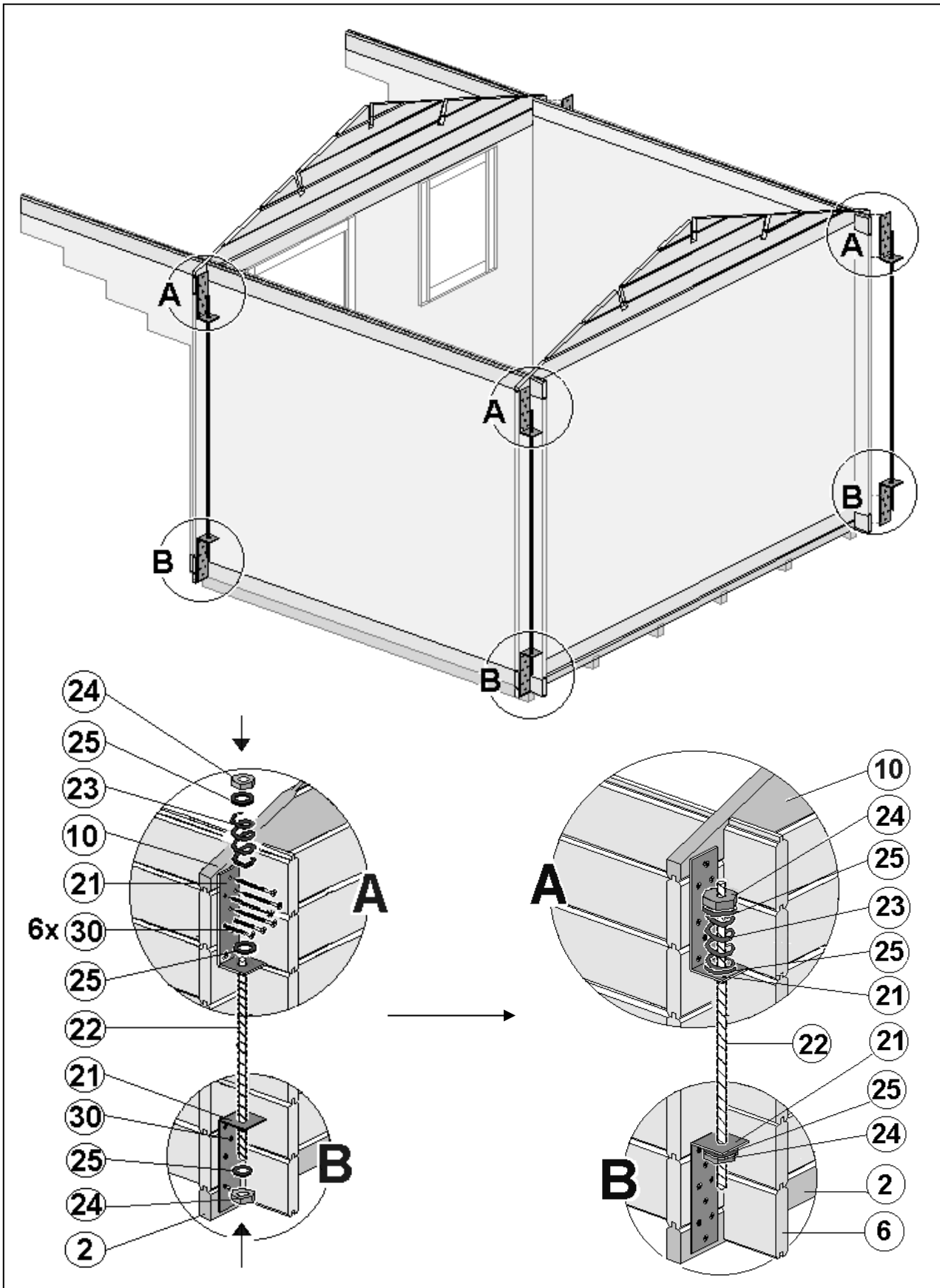
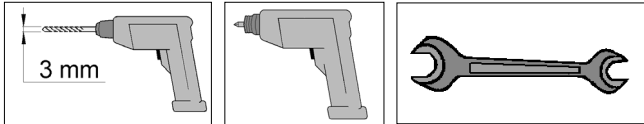
## Wandmontage



## Fußbodenmontage

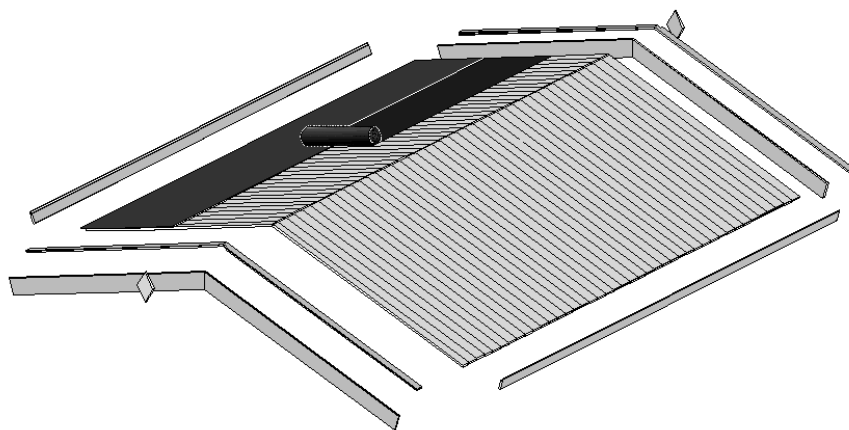




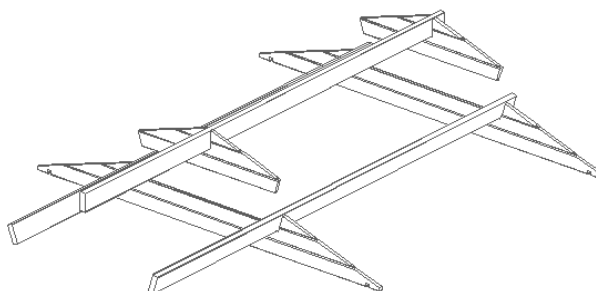




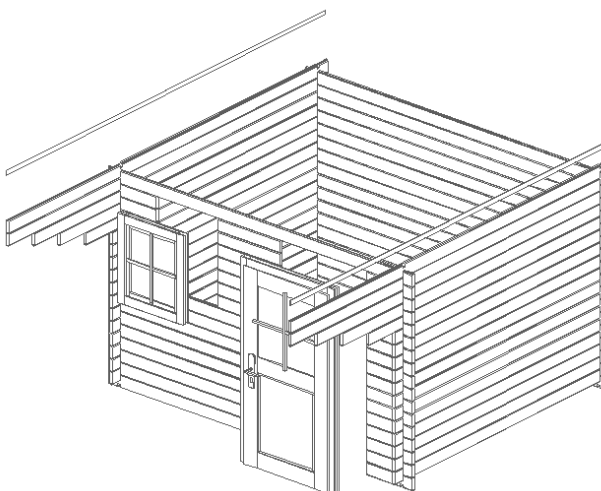
## Dachmontage



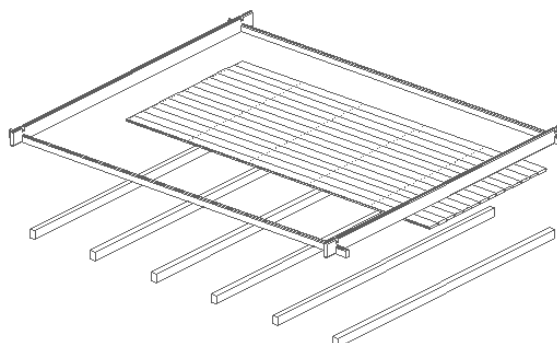
## Giebelmontage

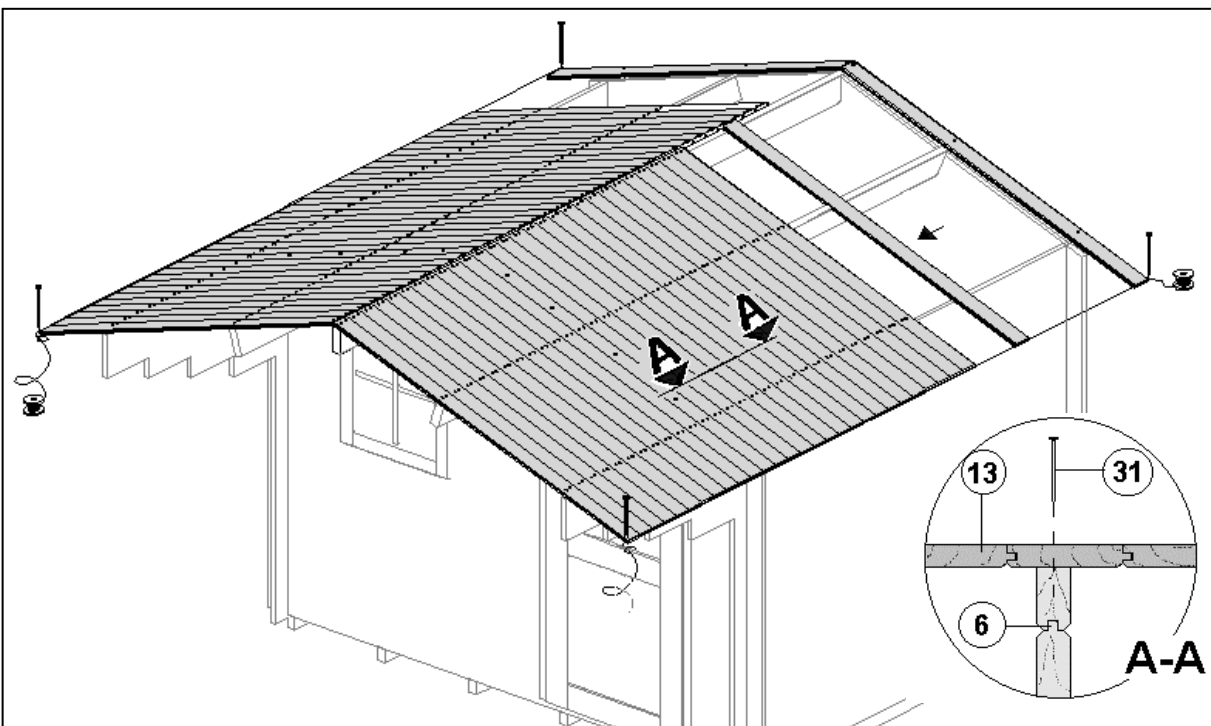
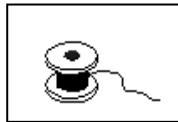
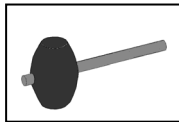
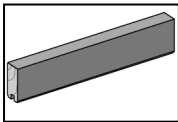
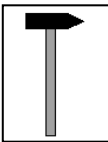
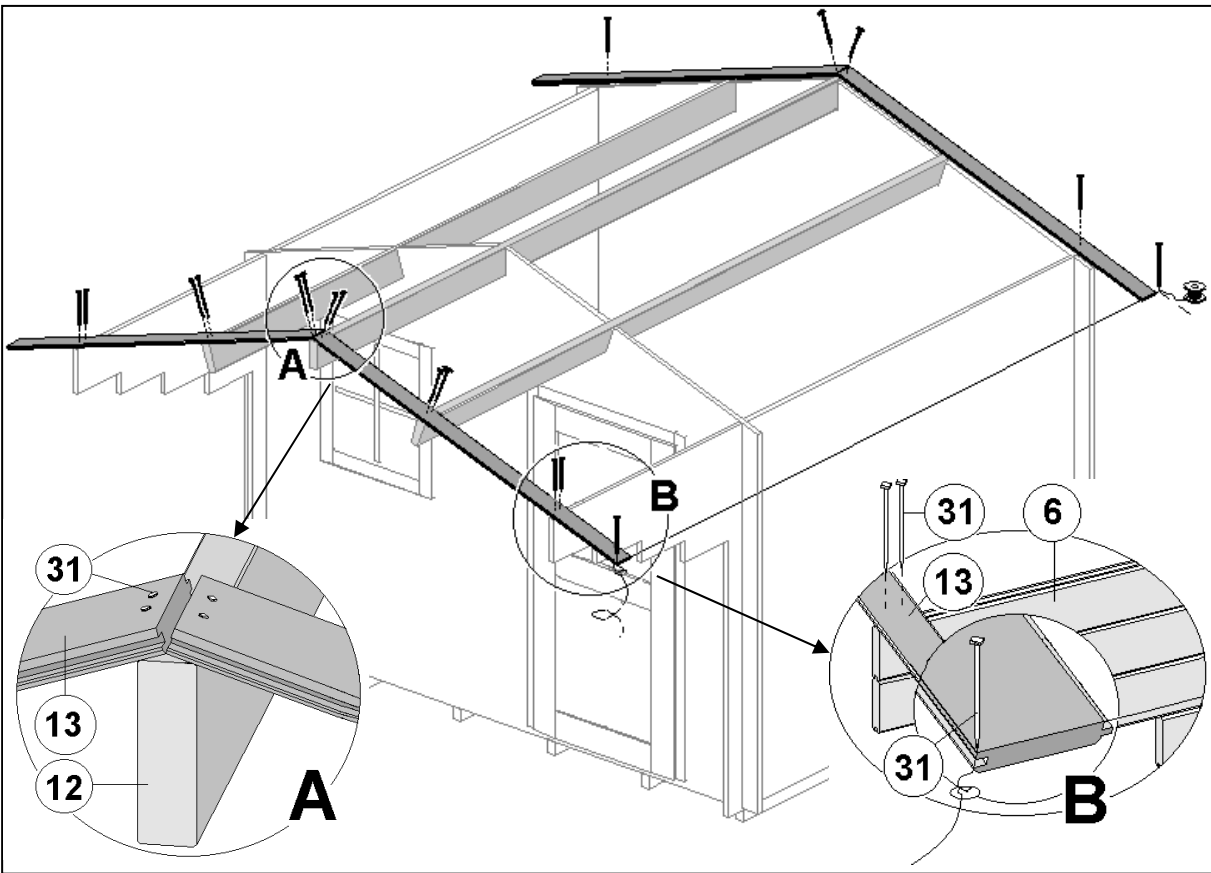
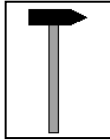
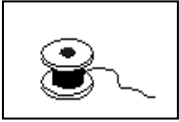


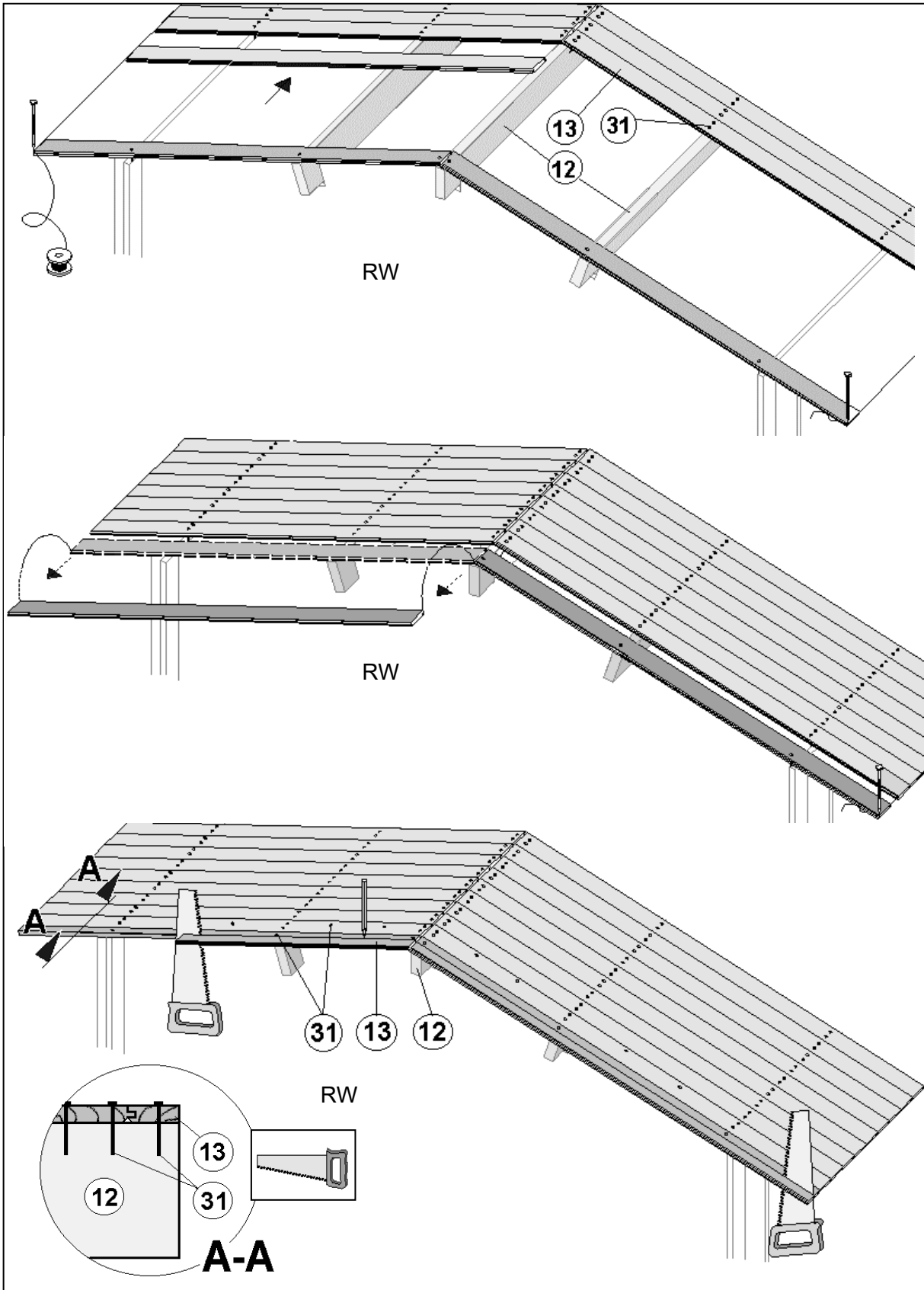
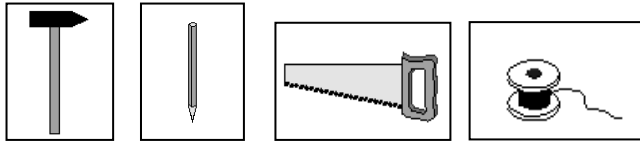
## Wandmontage

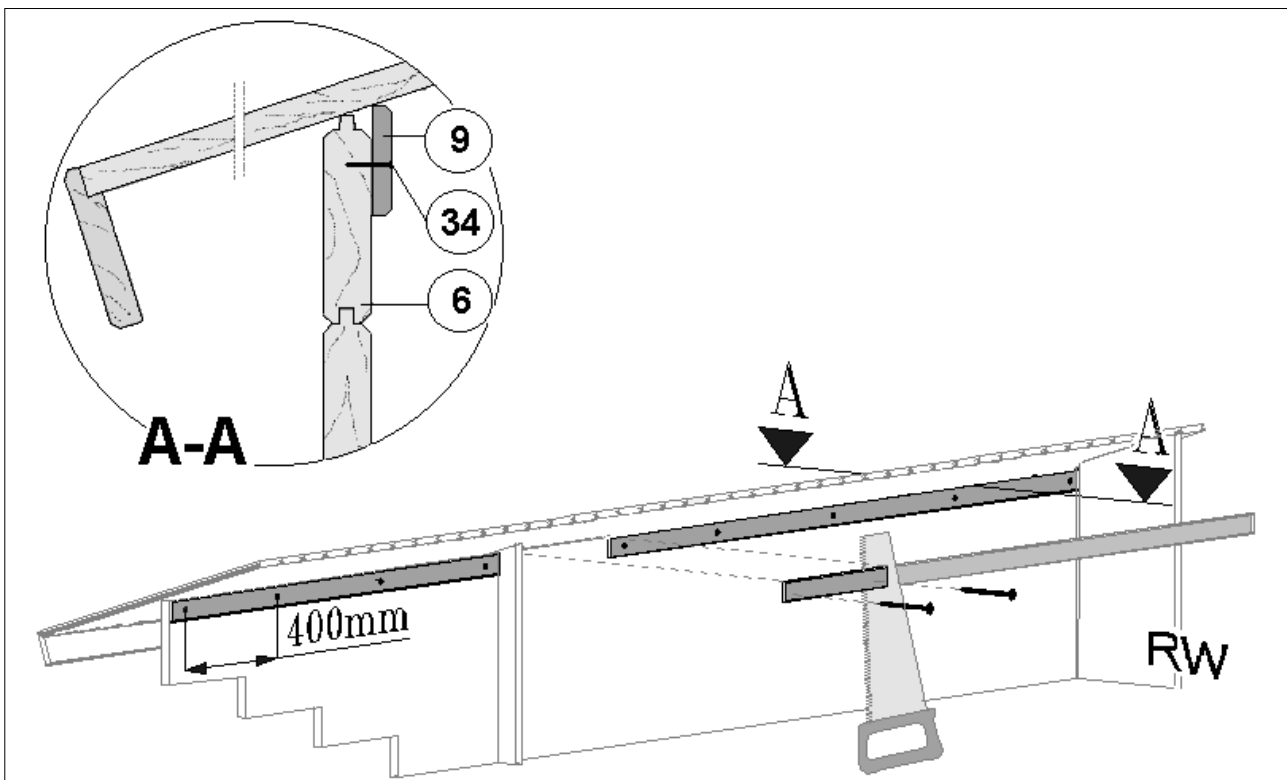
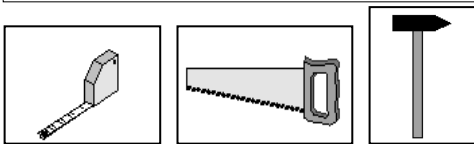
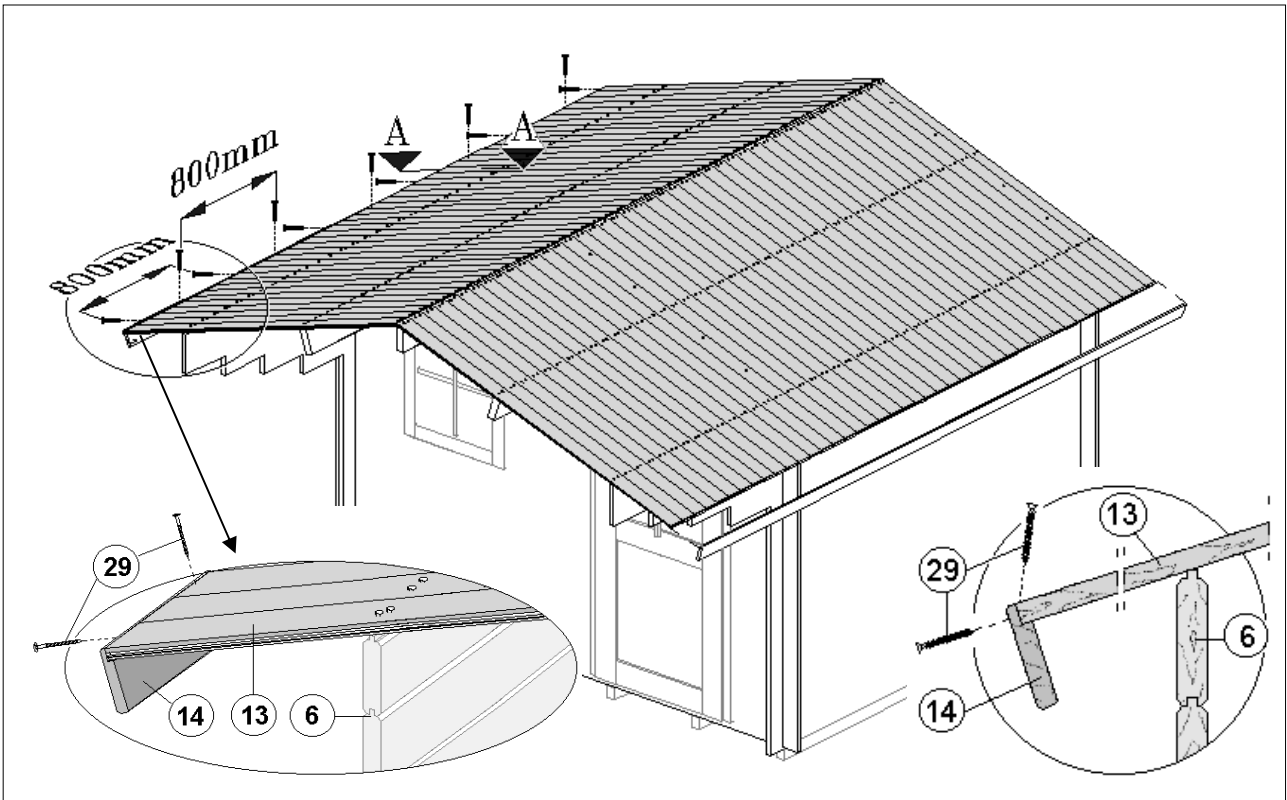
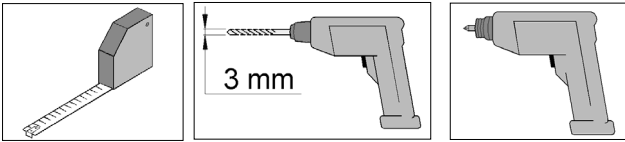


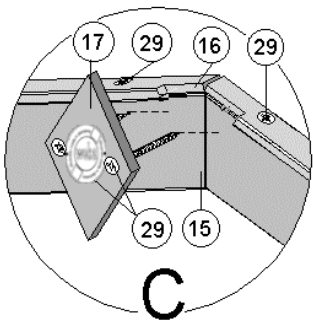
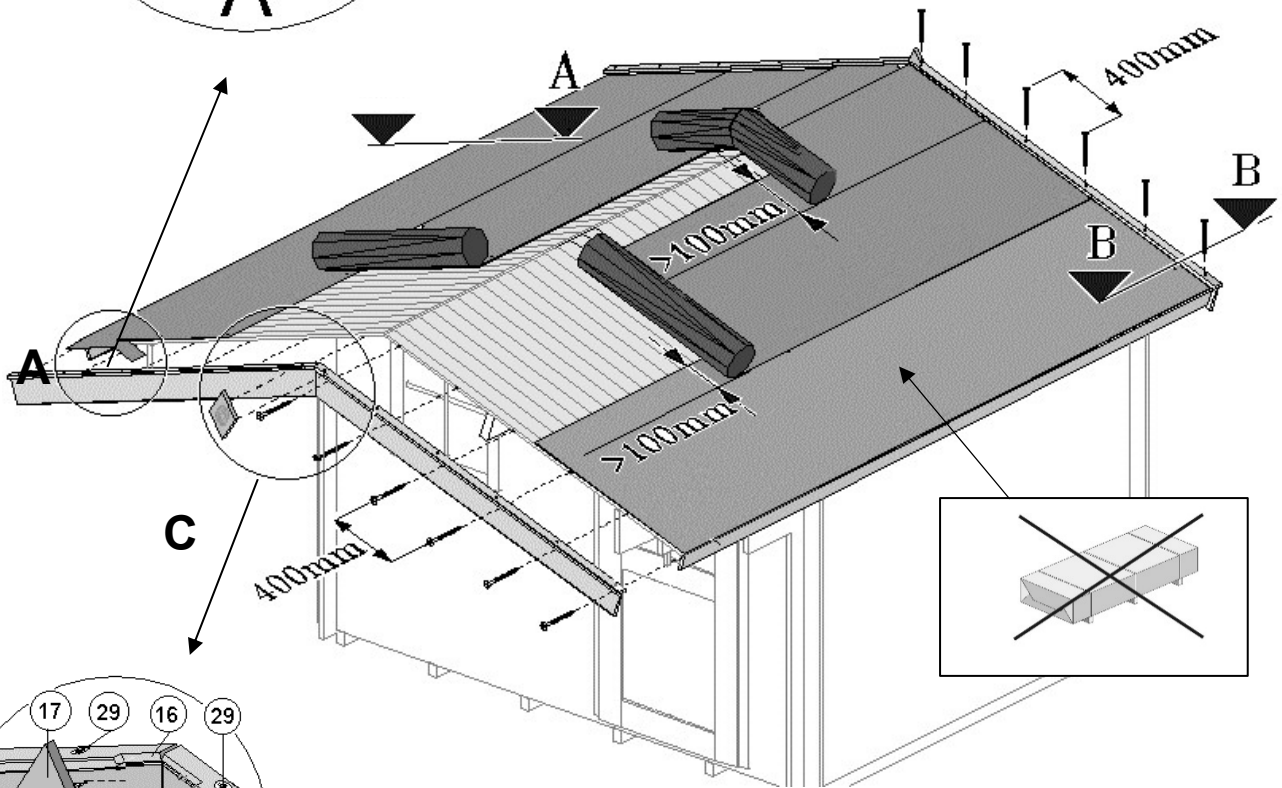
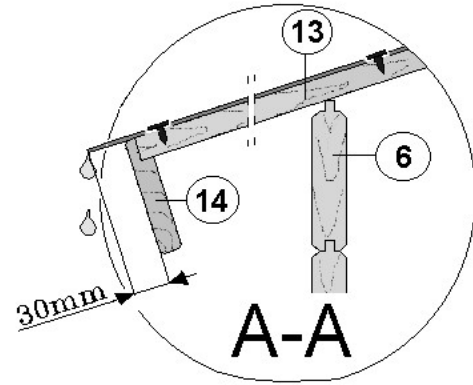
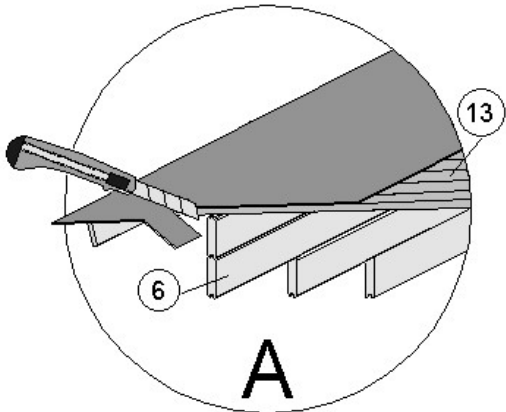
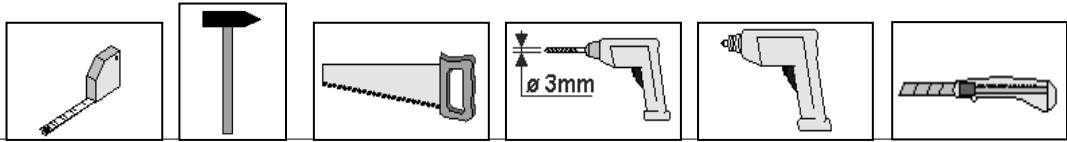
## Fußbodenmontage



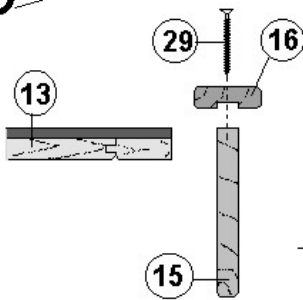




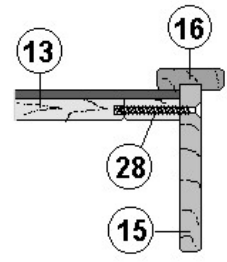
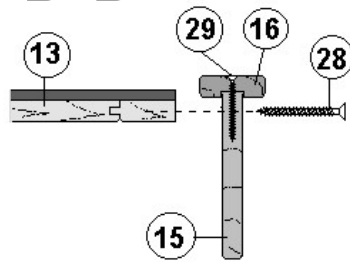


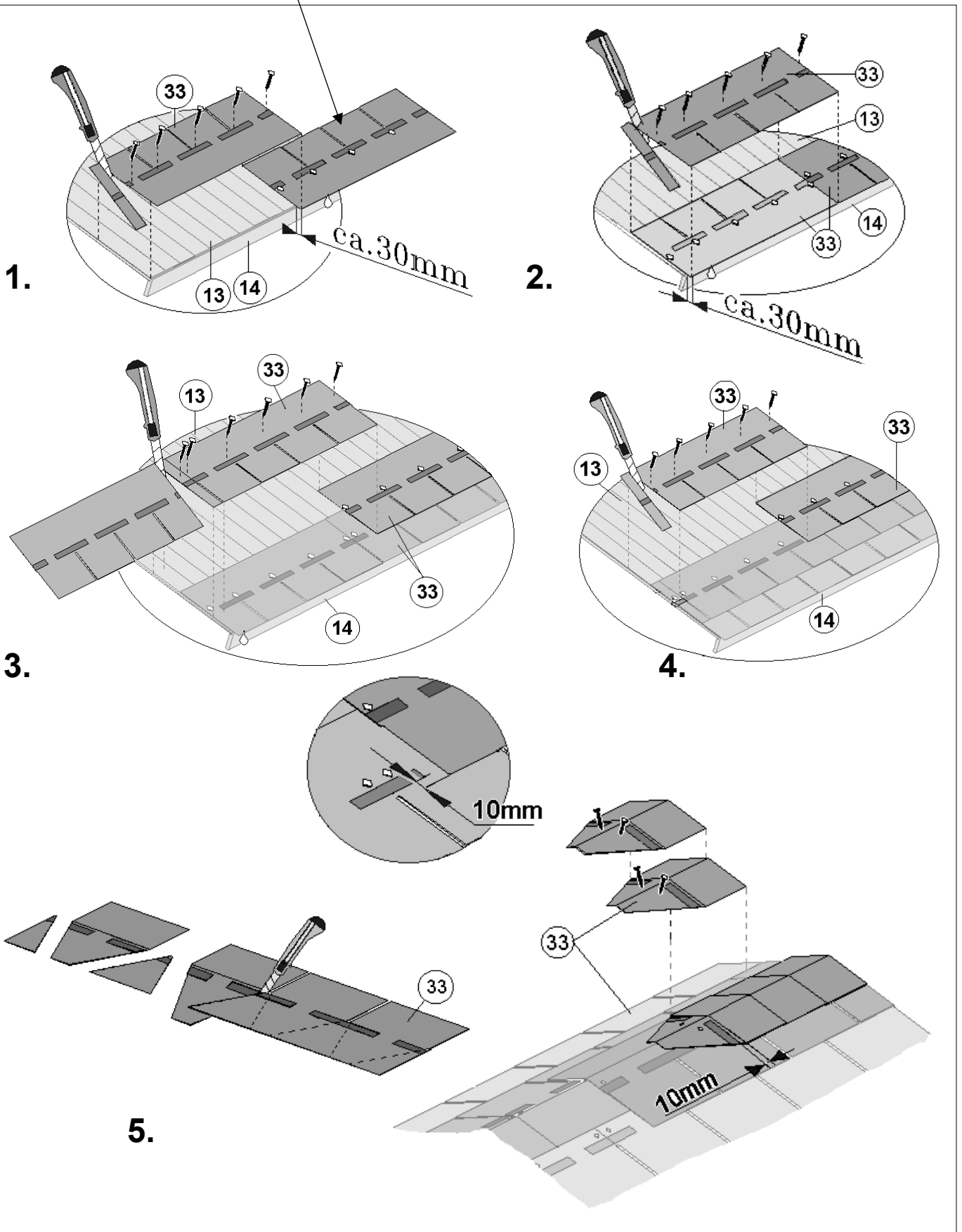
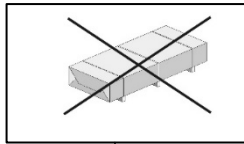
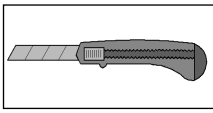
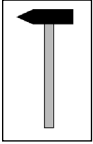


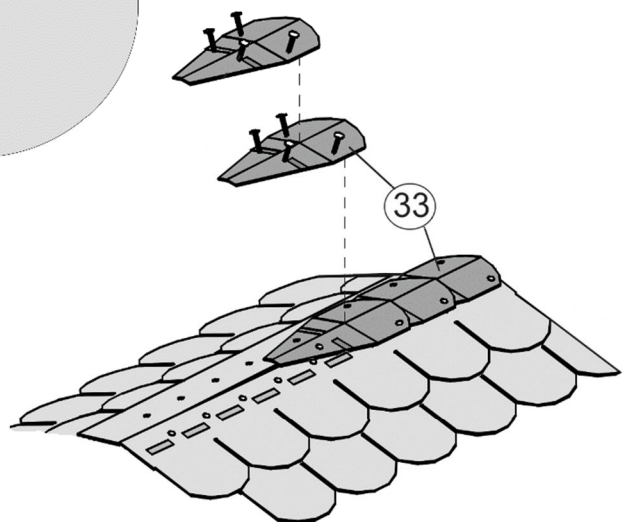
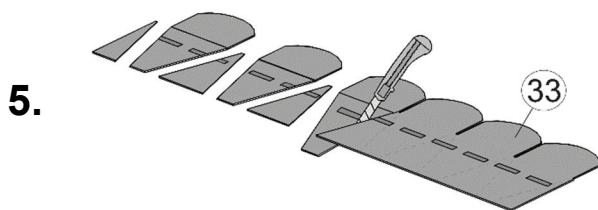
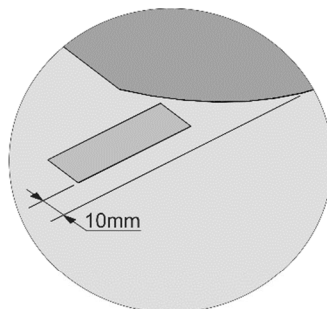
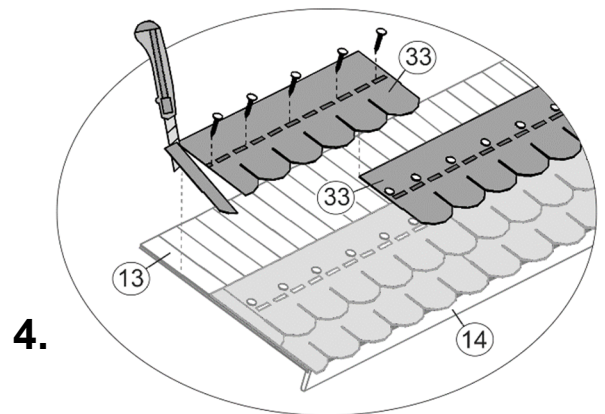
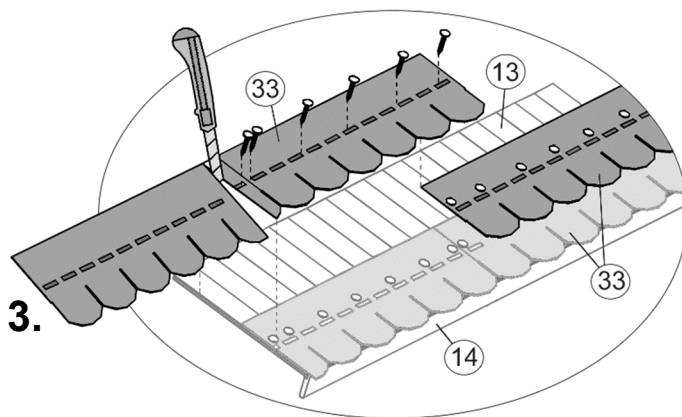
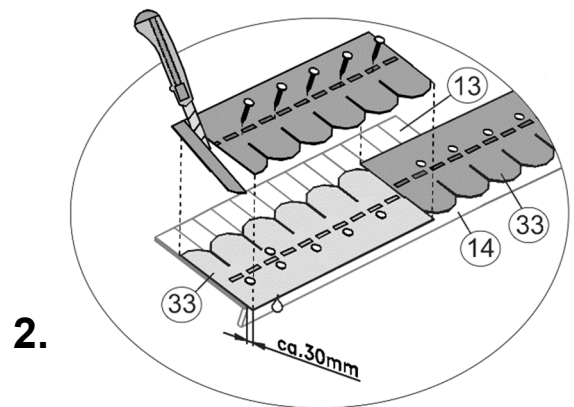
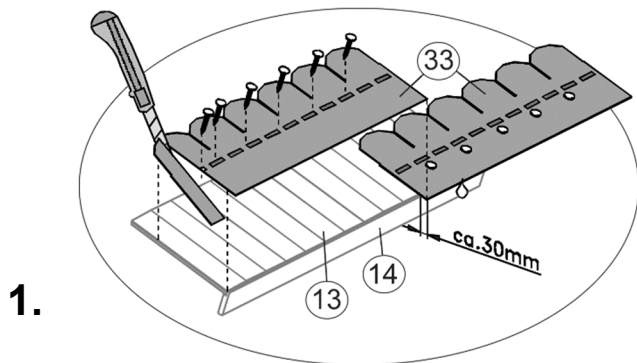
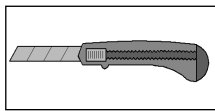
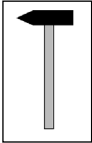
**C**



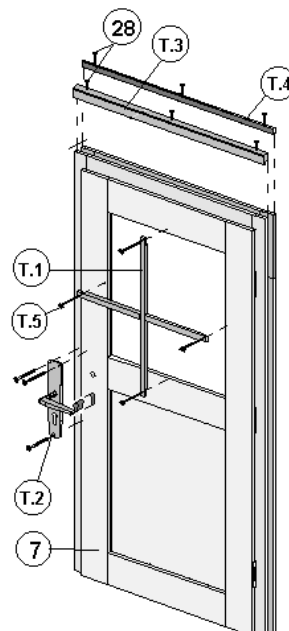
**B-B**

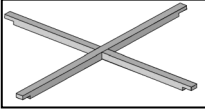
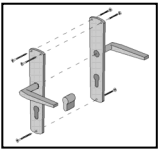
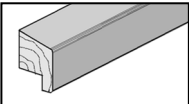
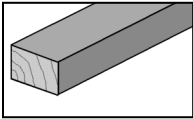





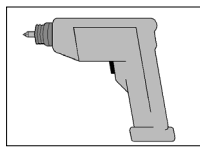
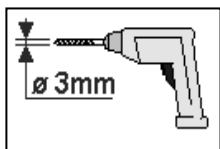
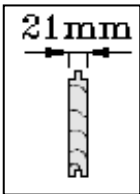


# Blockhaustür, 1-flügelig

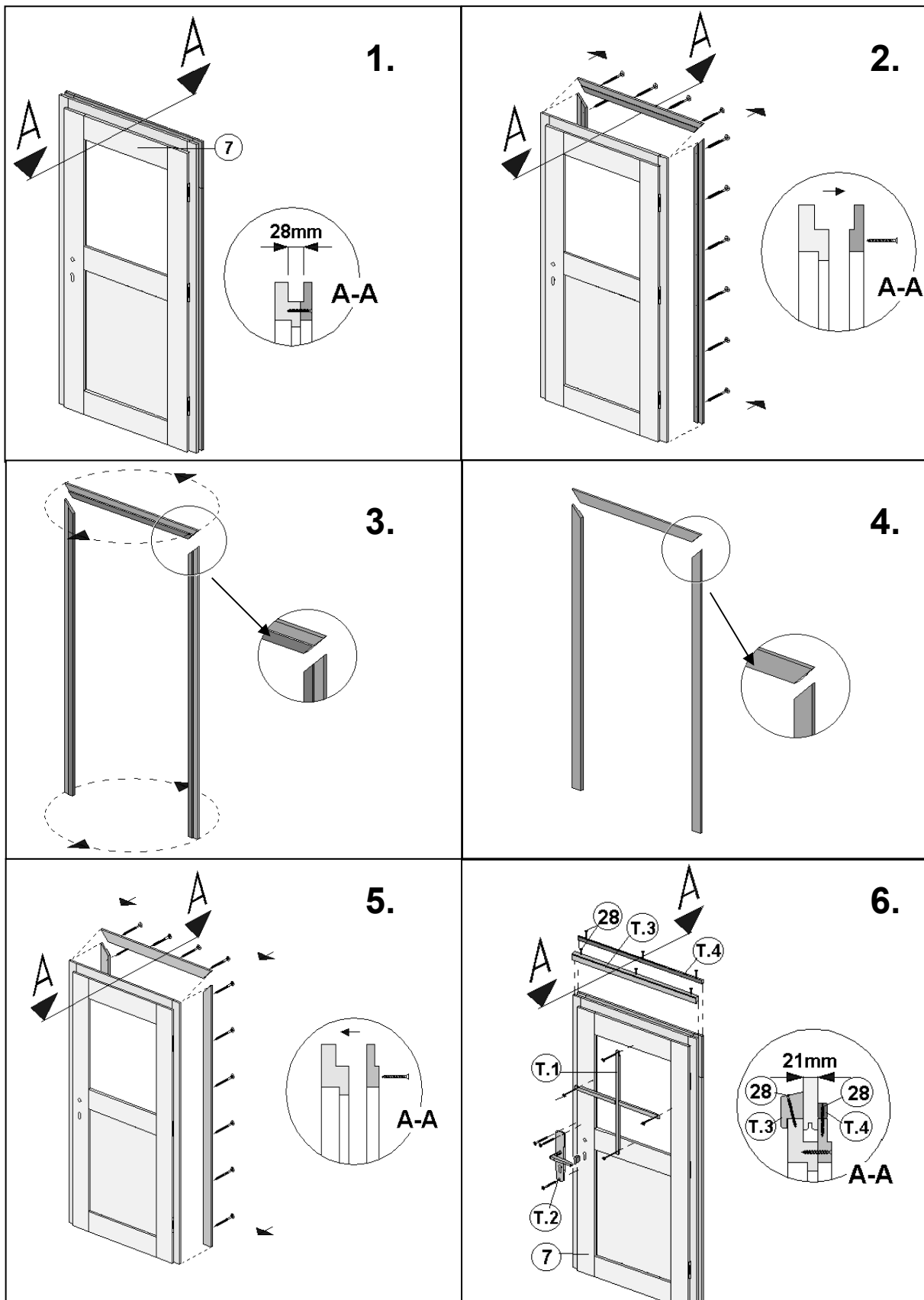


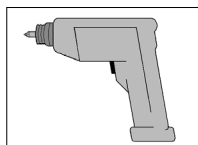
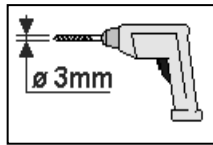
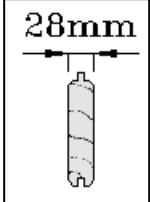
| Pos. | Bild  | Abmessung |
|------|---|-----------|
| T.1  |  |           |
| T.2  |  |           |
| T.3  |  | 35 / 45   |
| T.4  |  | 15 / 25   |
| T.5  |  | 16 x 30   |



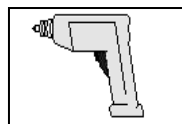
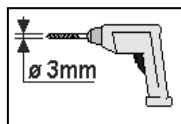
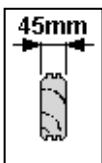
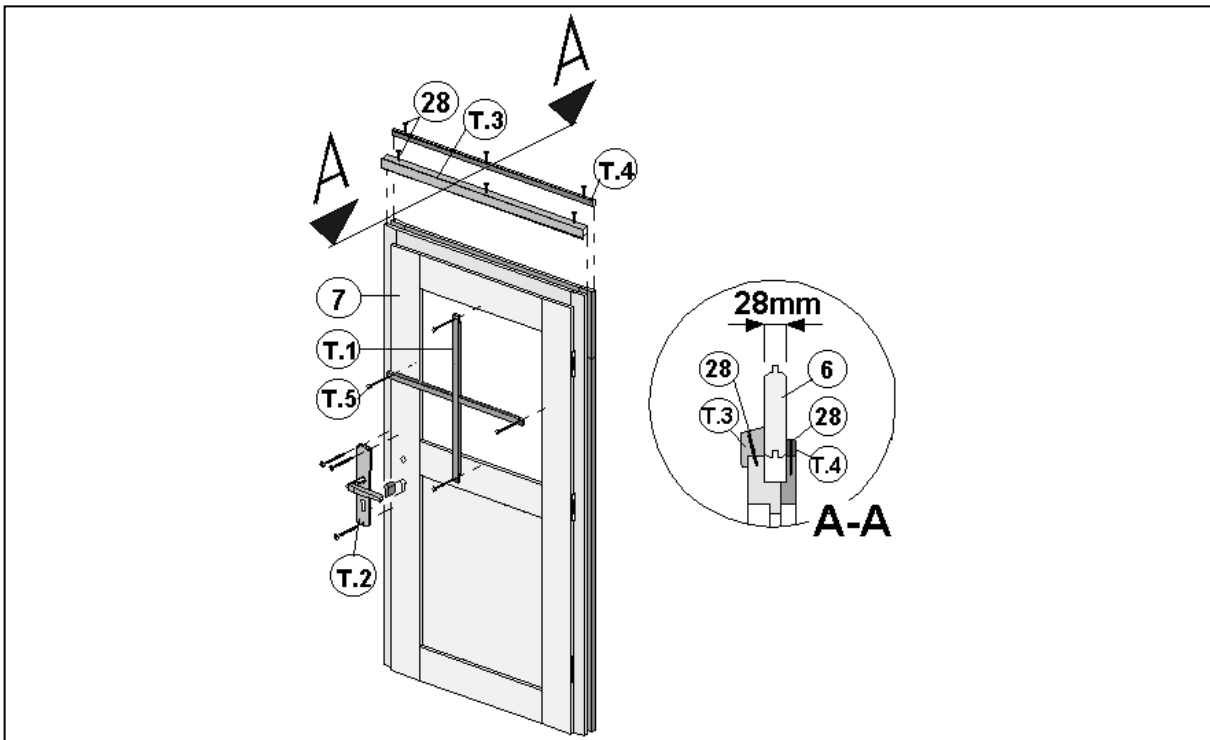


**WS = 21 mm**

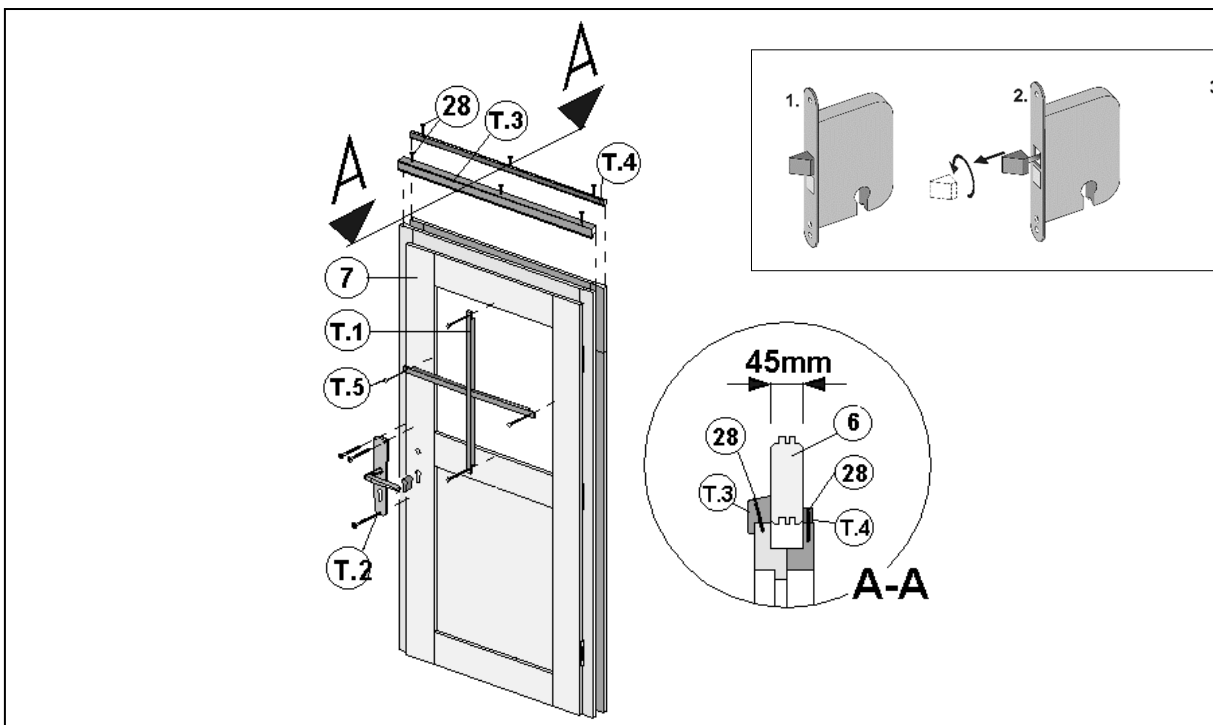




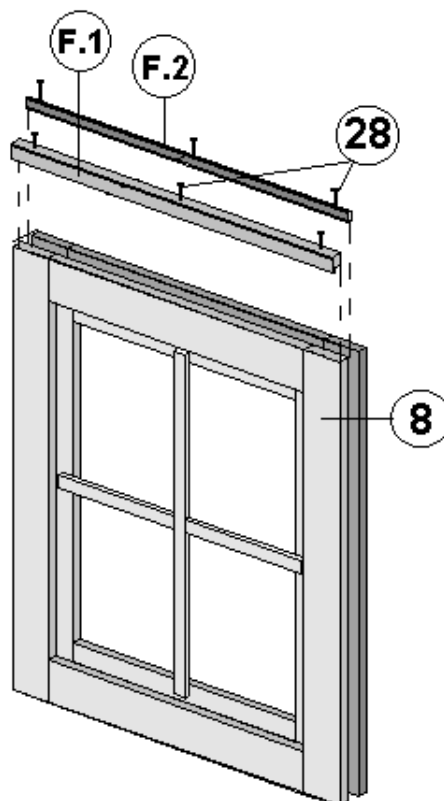
**WS = 28 mm**

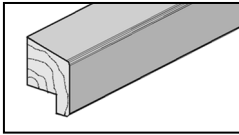
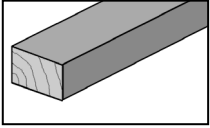


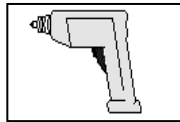
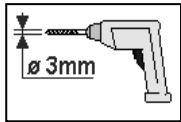
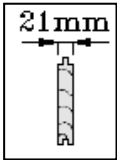
**WS = 45 mm**



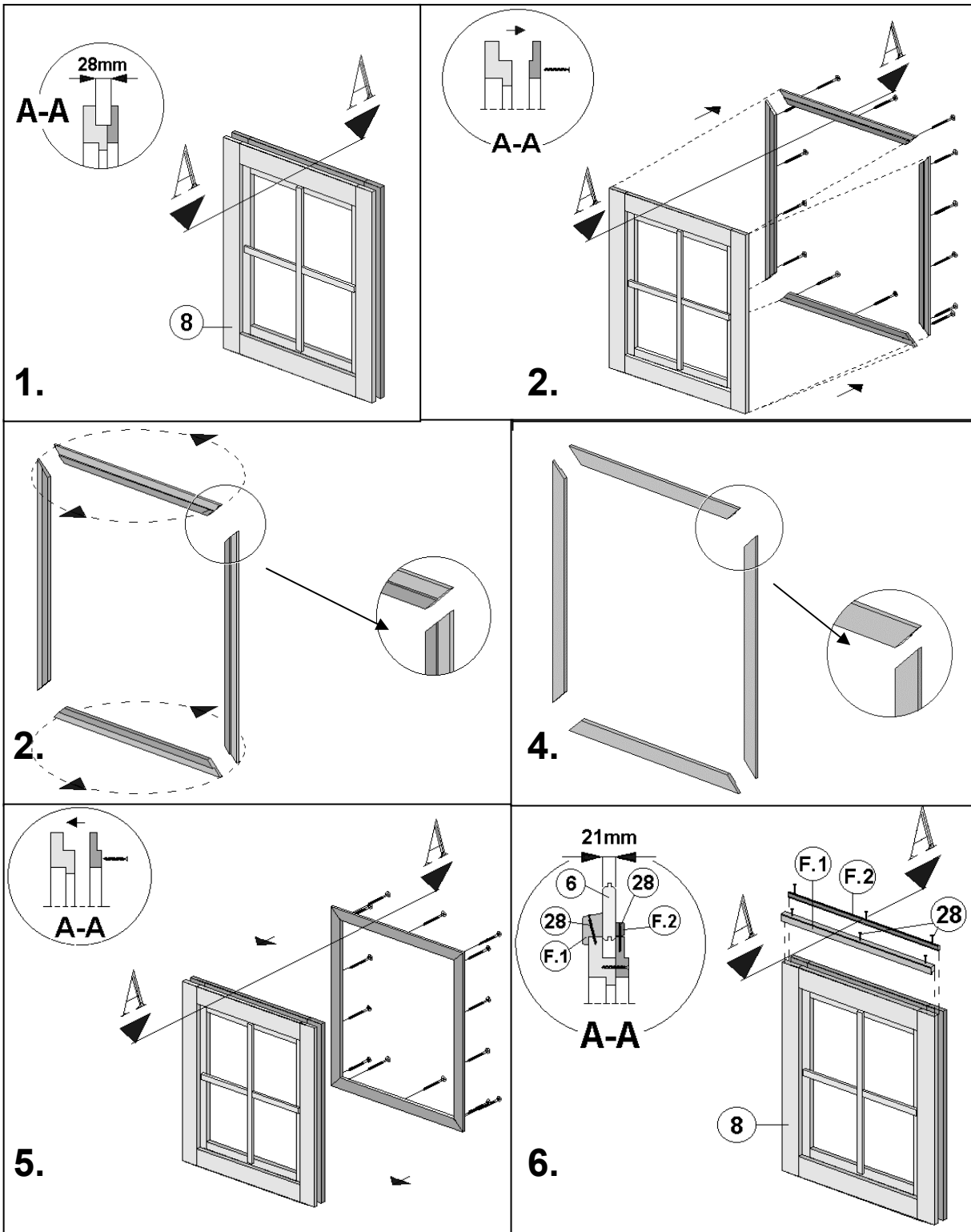
## Blockhausfenster, 1-flügelig

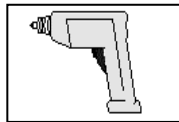
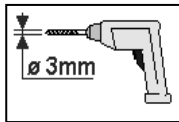
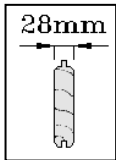


| Pos. | Bild  | Abmessung |
|------|---|-----------|
| F.1  |  | 19 / 45   |
| F.2  |  | 15 / 25   |

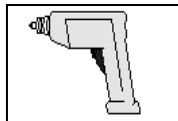
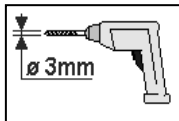
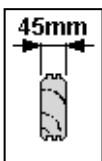
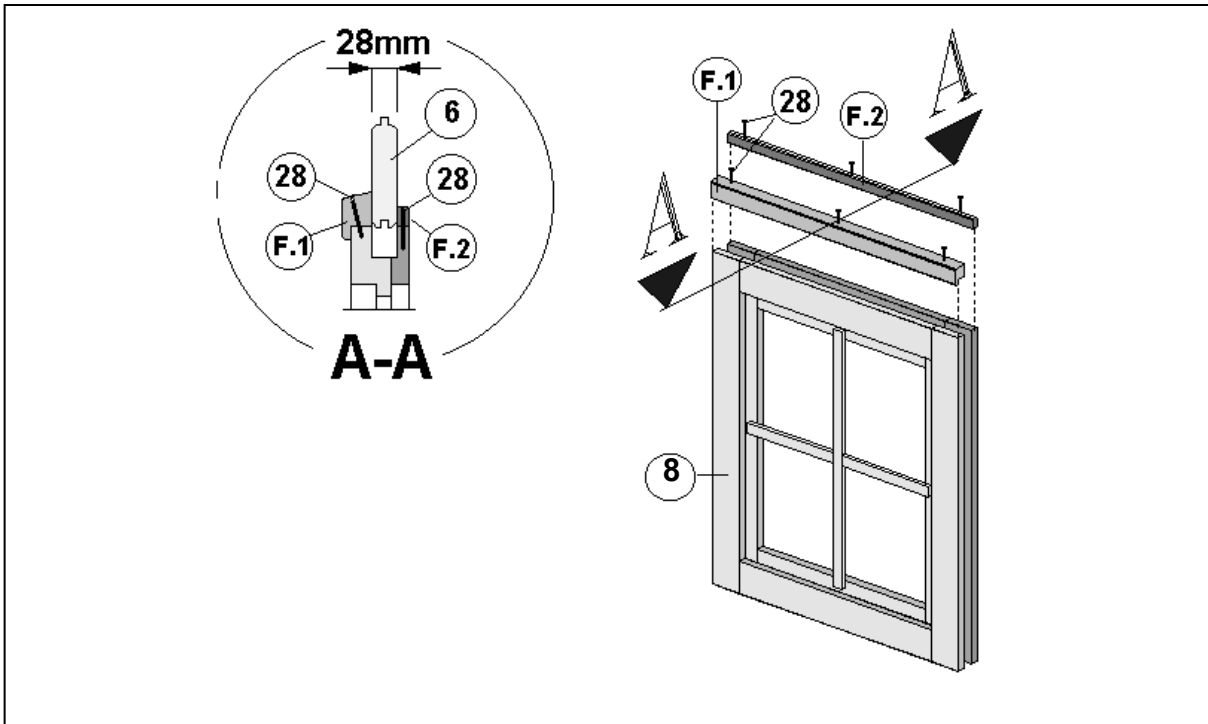


**WS = 21 mm**

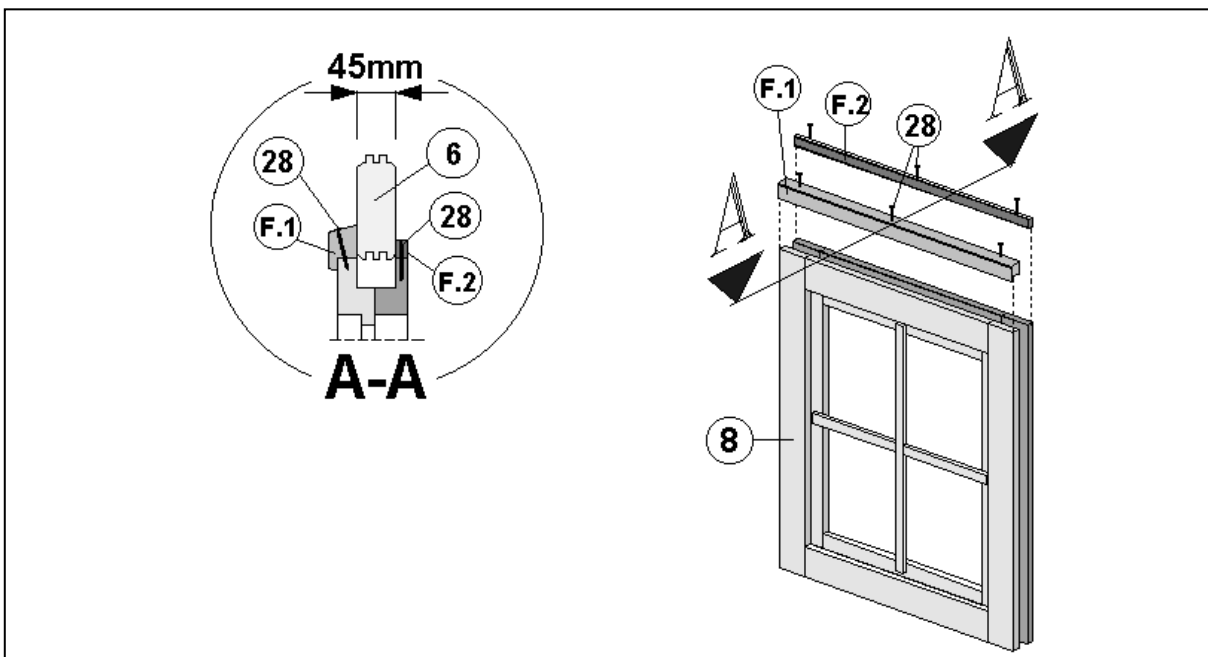




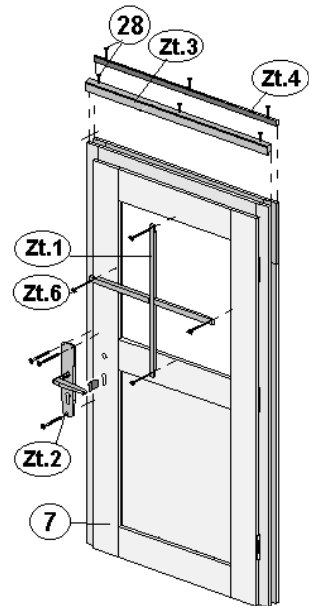
**WS = 28 mm**

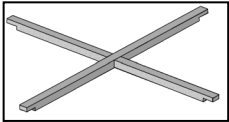
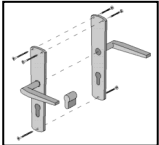
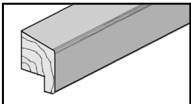
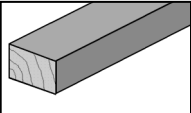
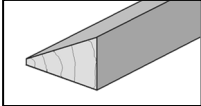
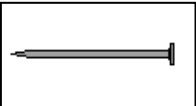


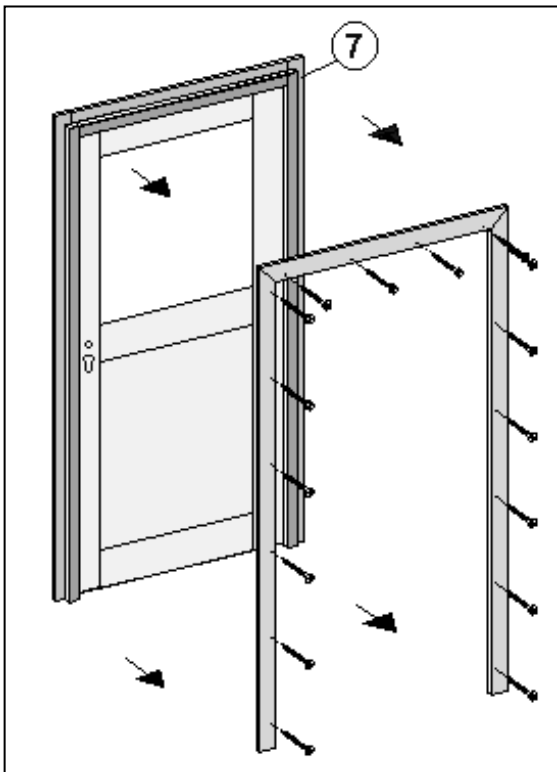
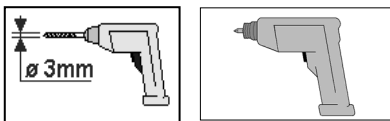
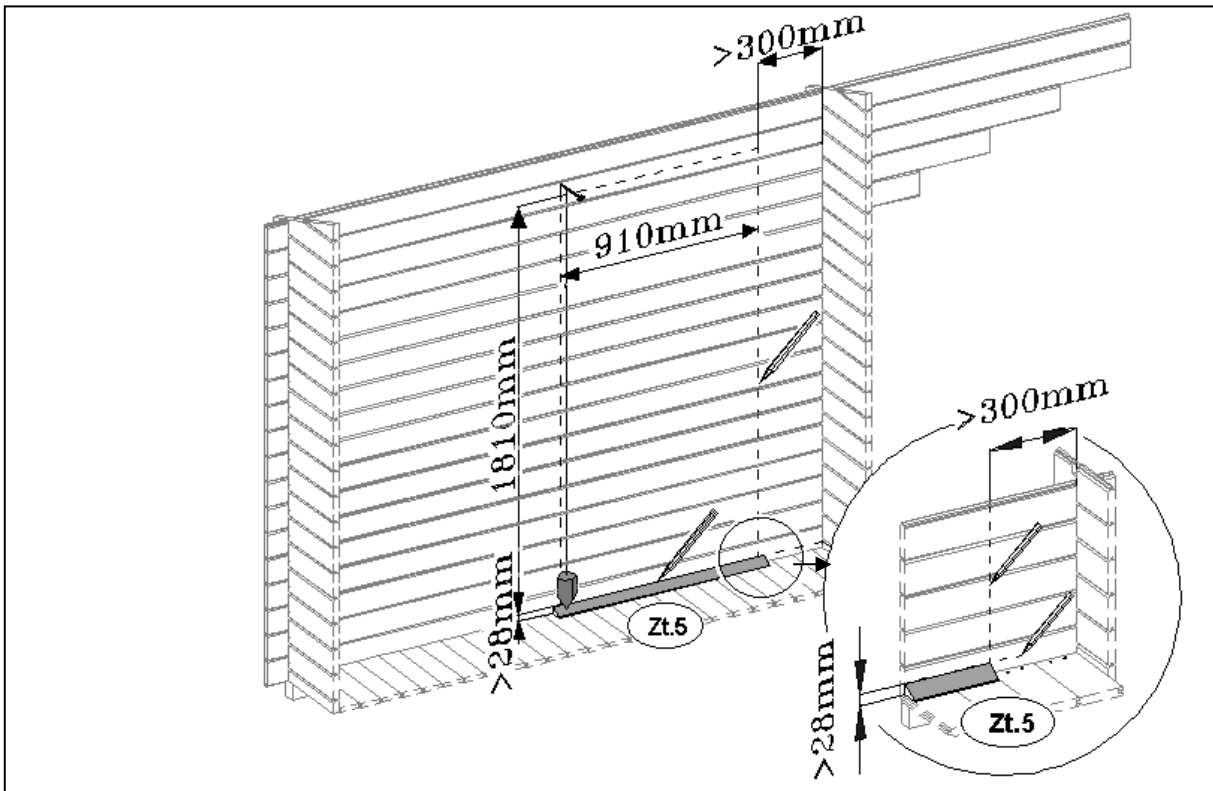
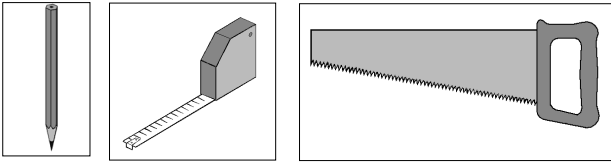
**WS = 45 mm**

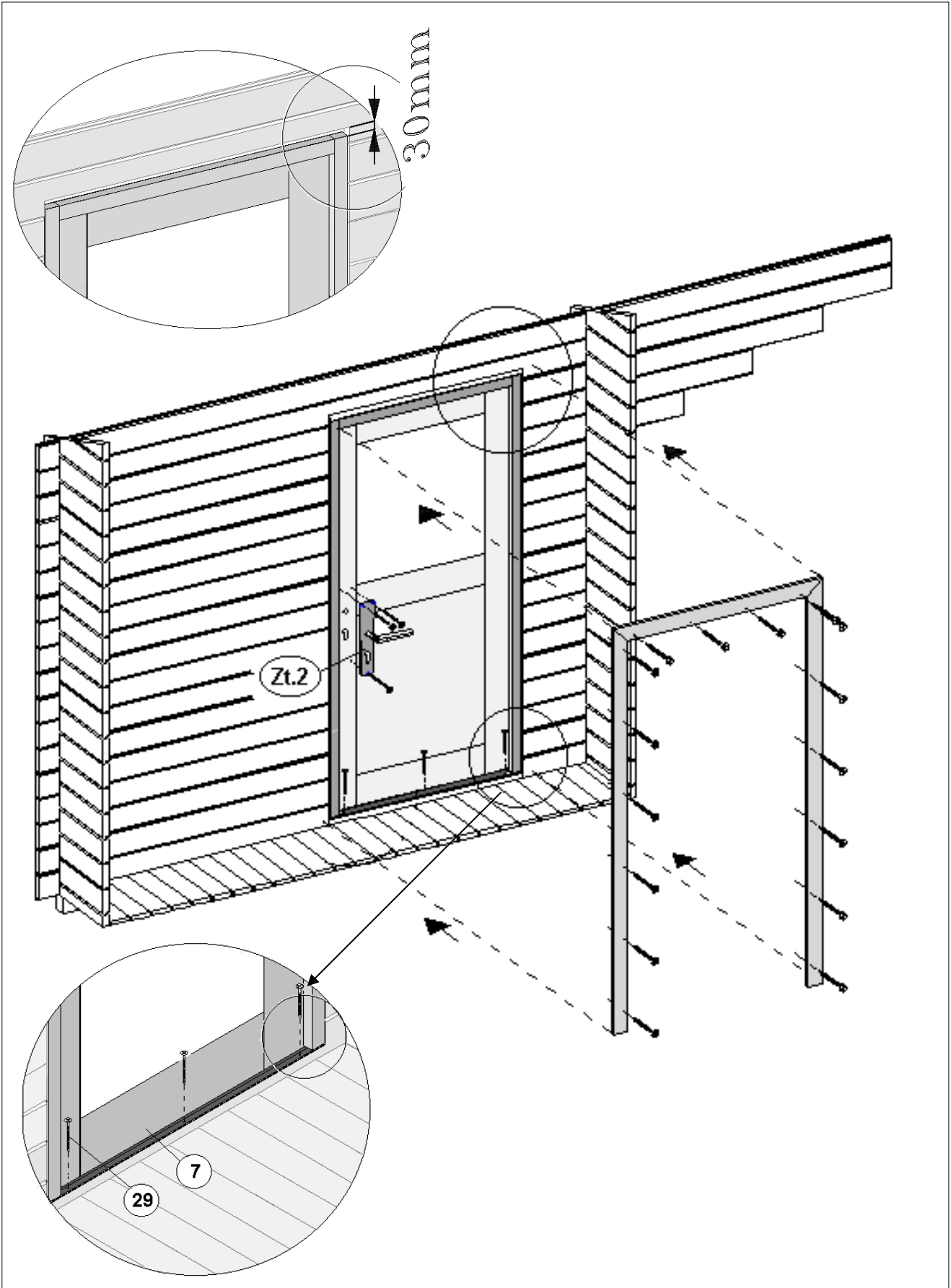
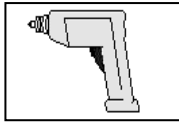
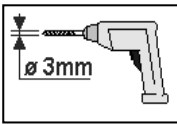


# Zusatztür

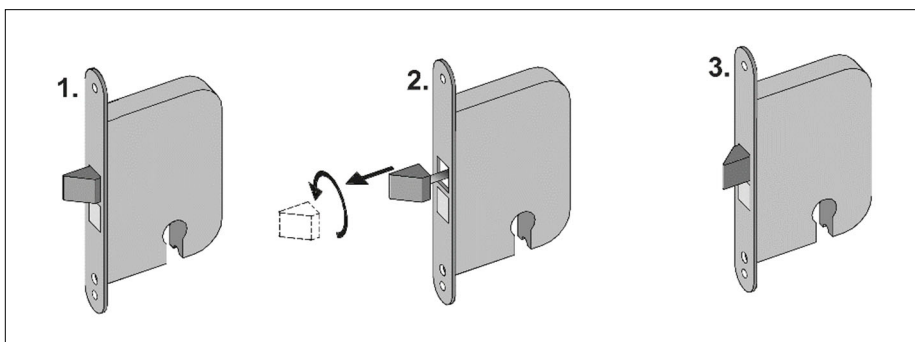
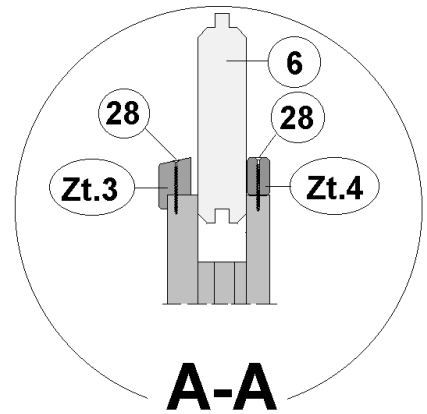
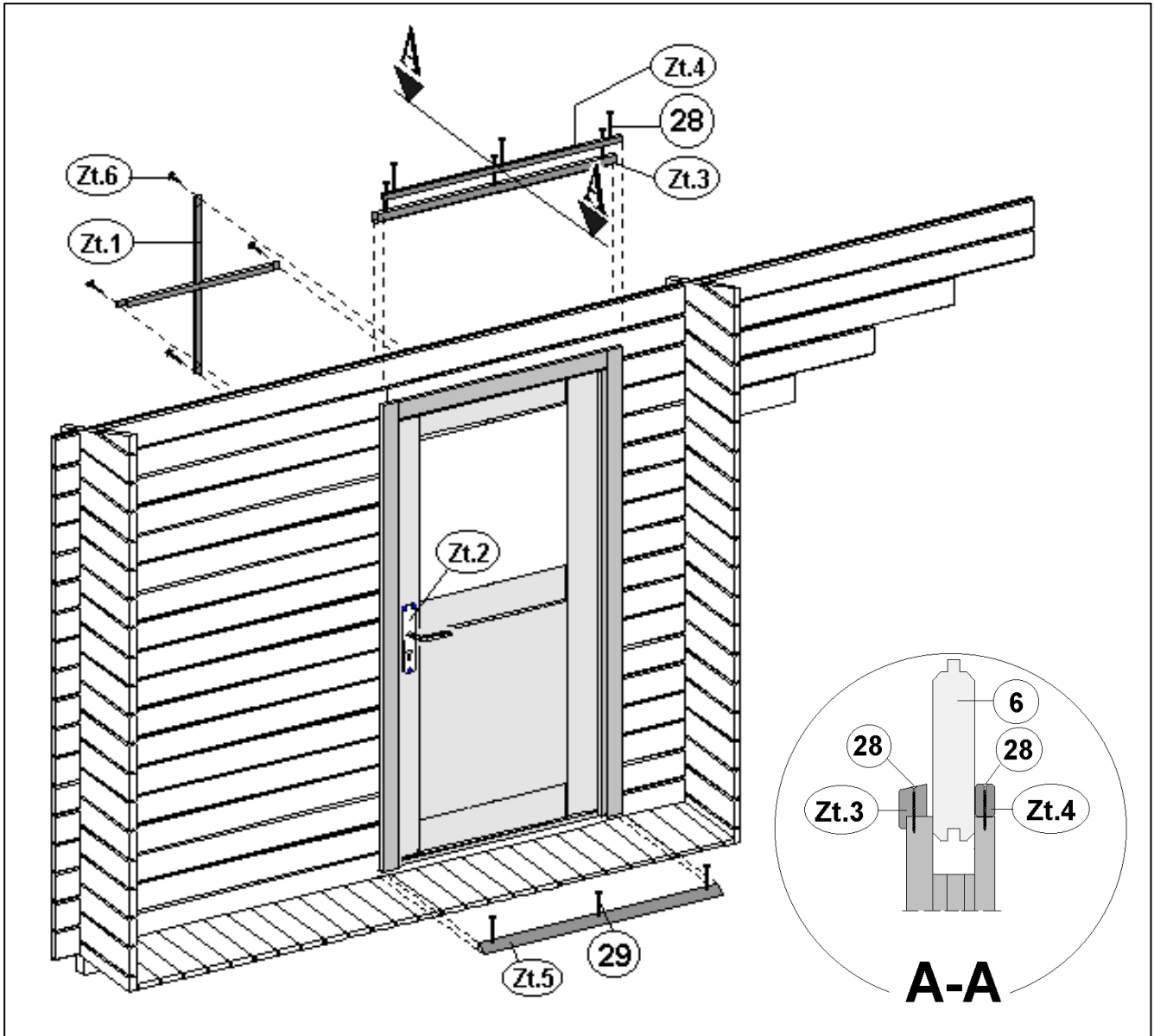
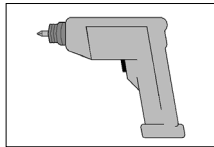
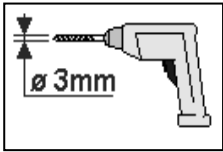


| Pos. | Bild  | Abmessung |
|------|---|-----------|
| Zt.1 |   |           |
| Zt.2 |  |           |
| Zt.3 |  | 35 / 45   |
| Zt.4 |  | 15 / 25   |
| Zt.5 |  | 28 / 45   |
| Zt.6 |  | 16 x 30   |

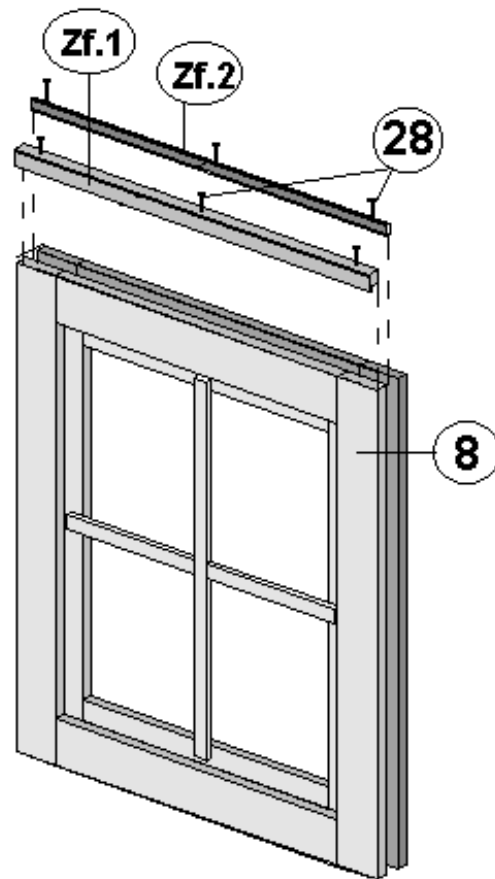




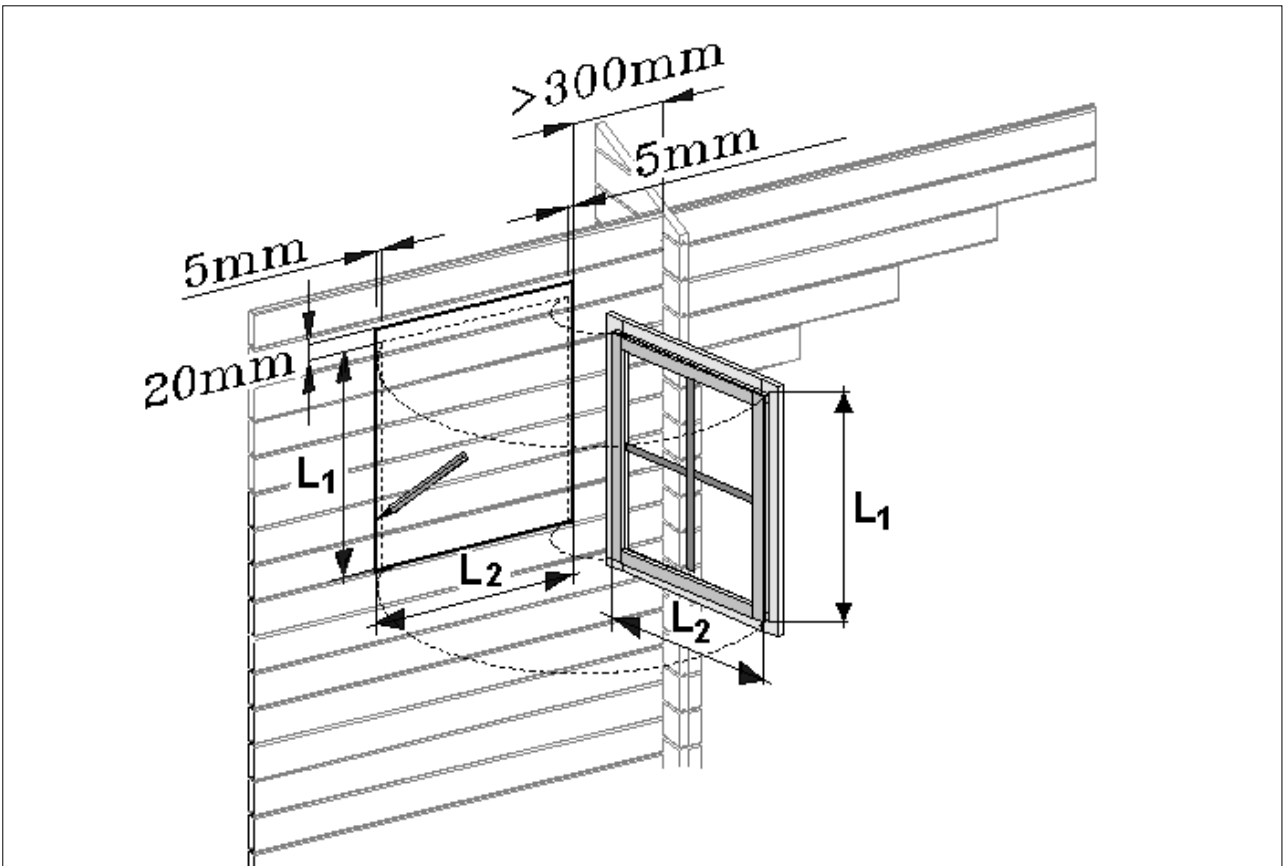
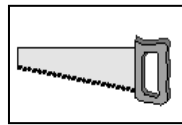
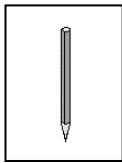
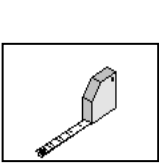
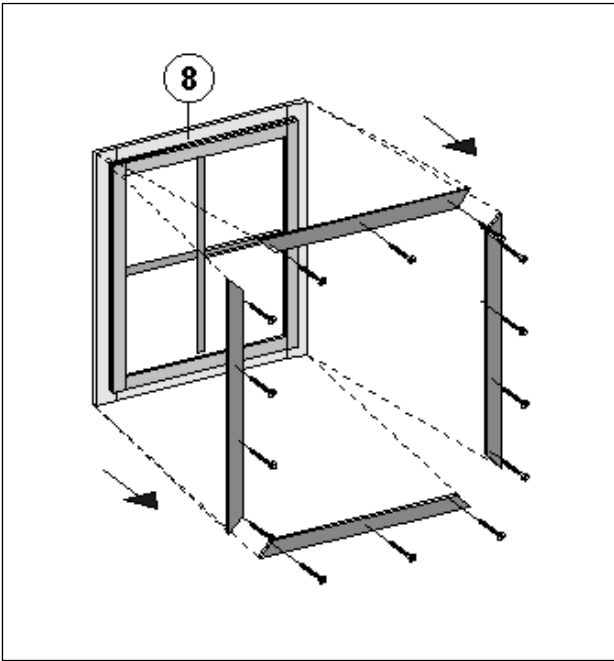
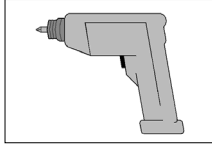
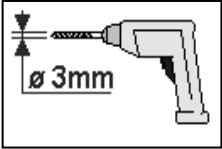


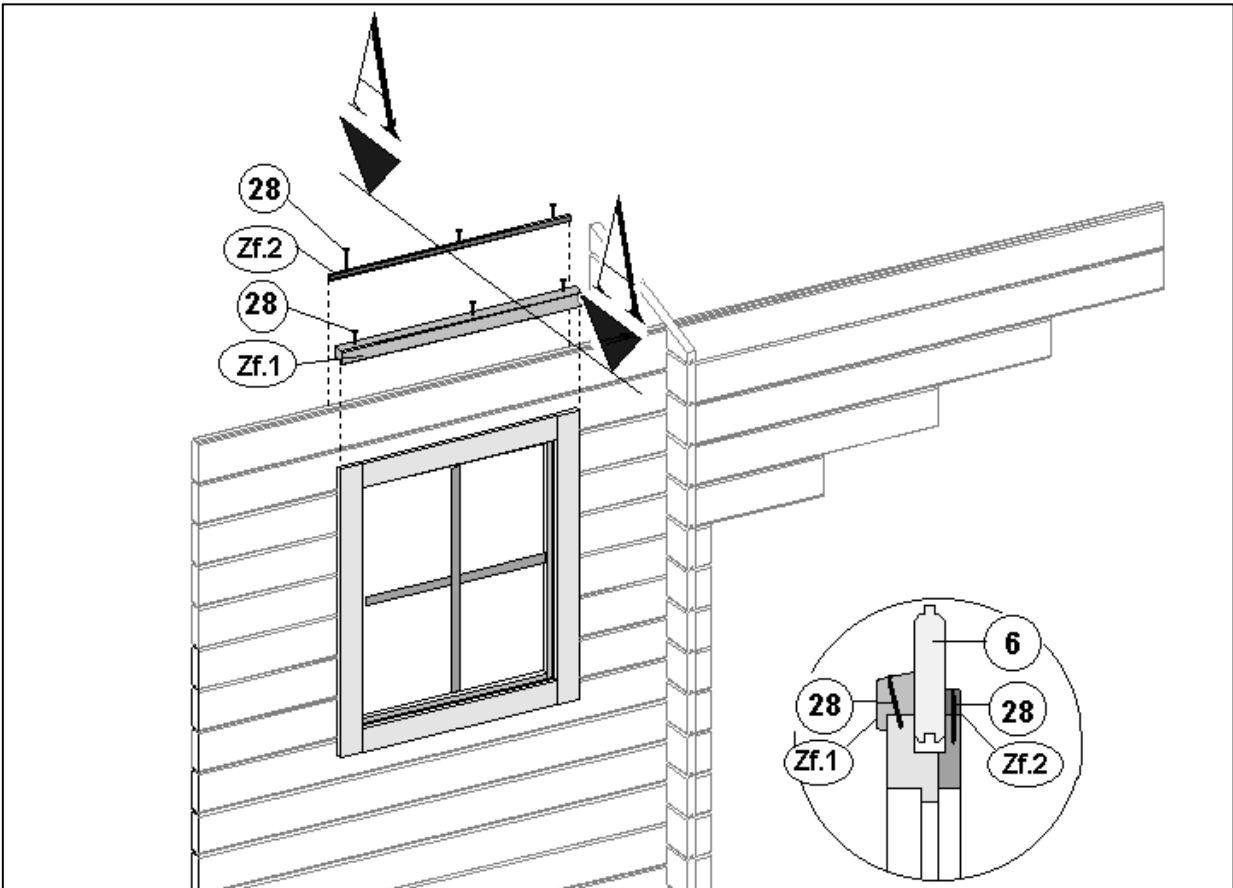
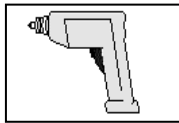
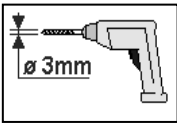
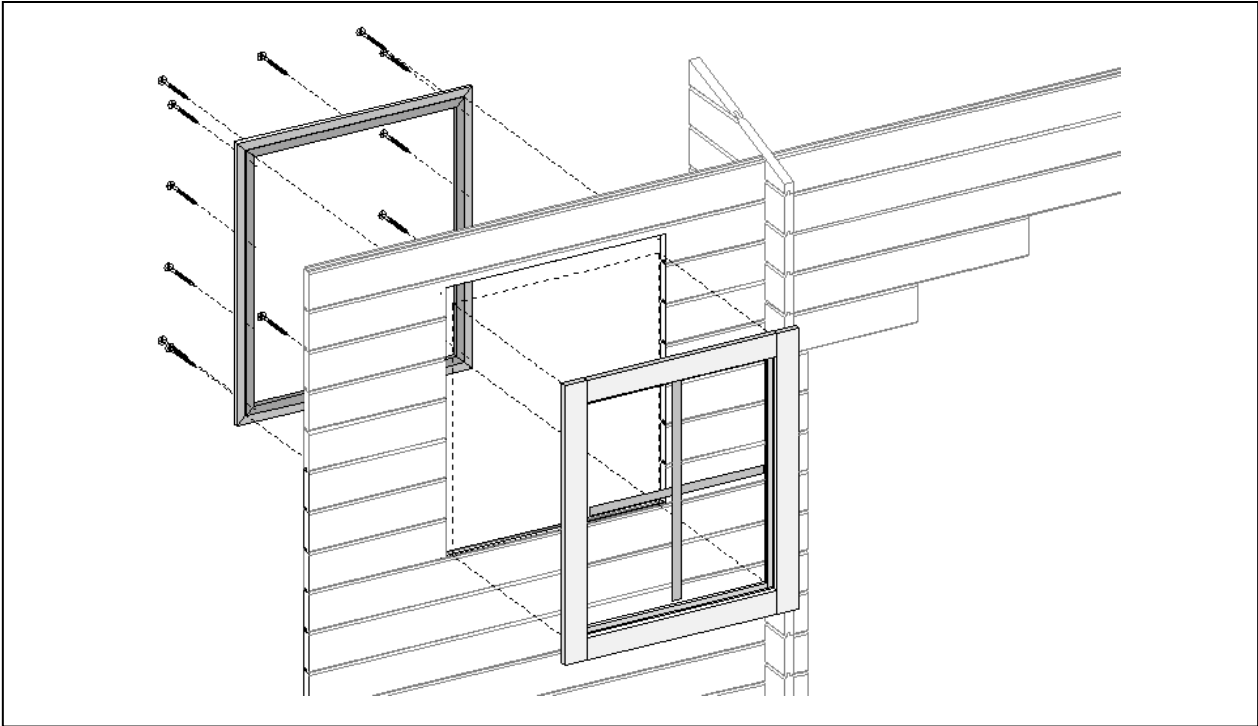
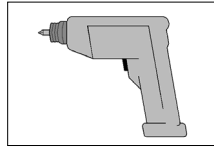
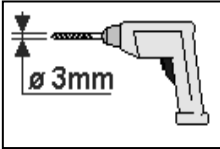


# Zusatzfenster

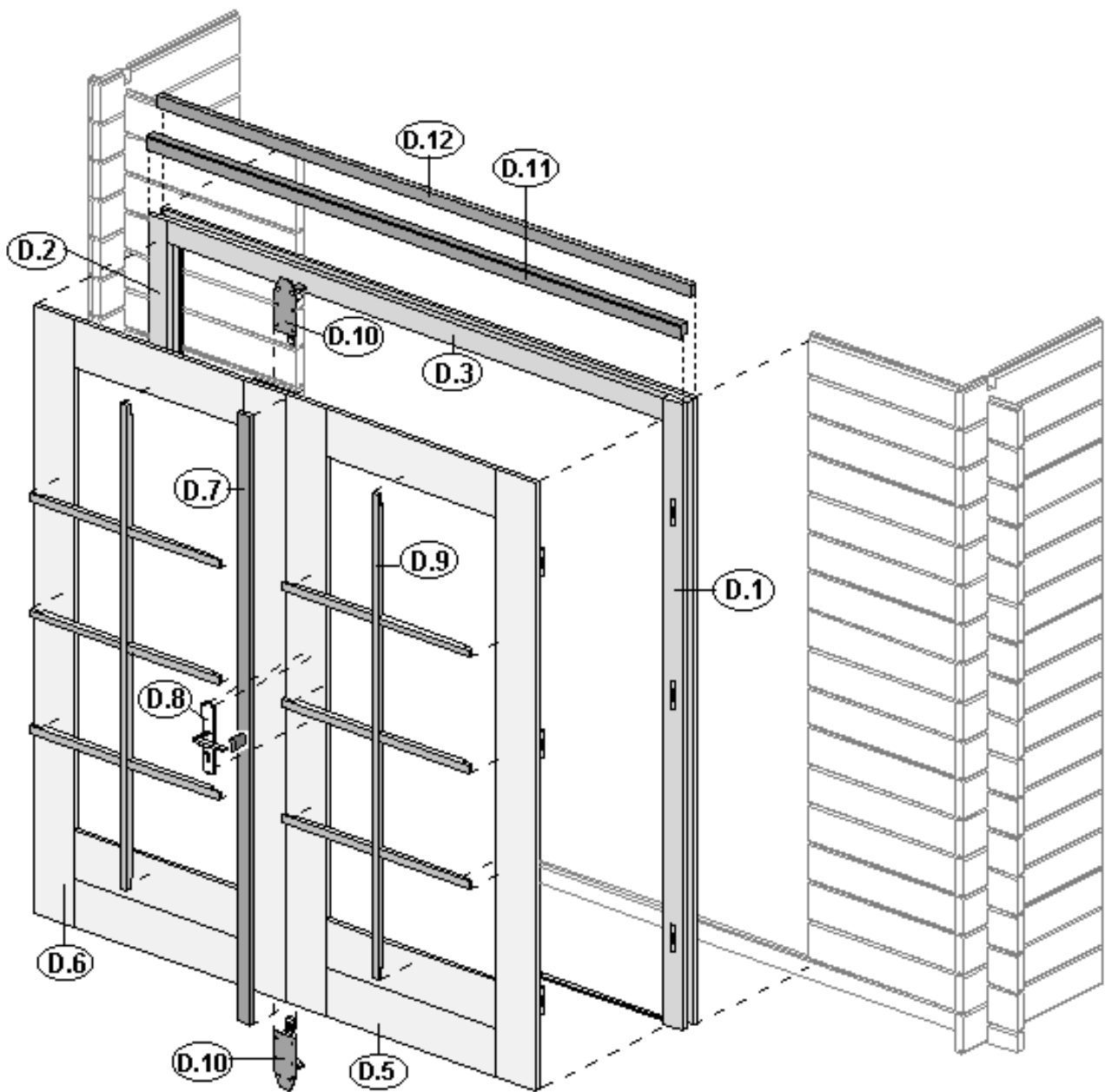


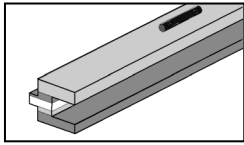
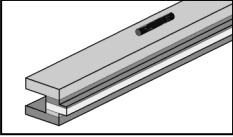
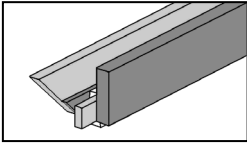
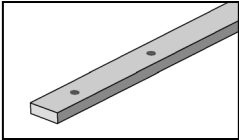
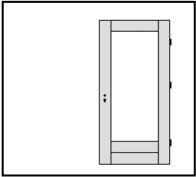
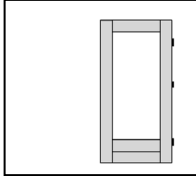
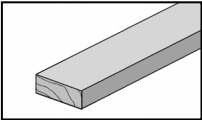
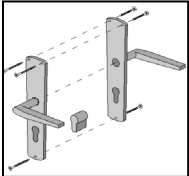
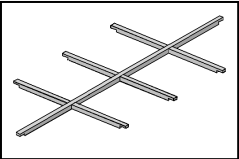
| Pos. | Bild | Abmessung |
|------|------|-----------|
| Zf.1 |      | 19 / 45   |
| Zf.2 |      | 15 / 25   |

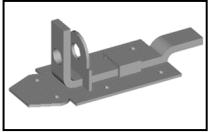
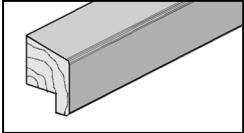
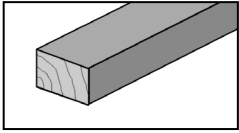
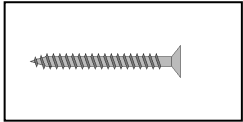
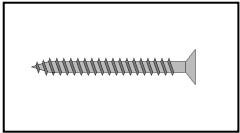
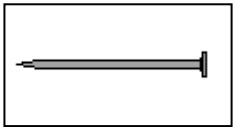


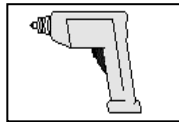
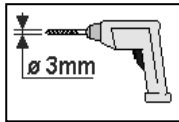
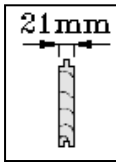


# Blockhaus-Tür, 2-flügelig

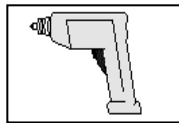
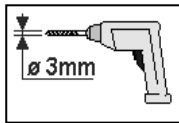
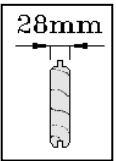
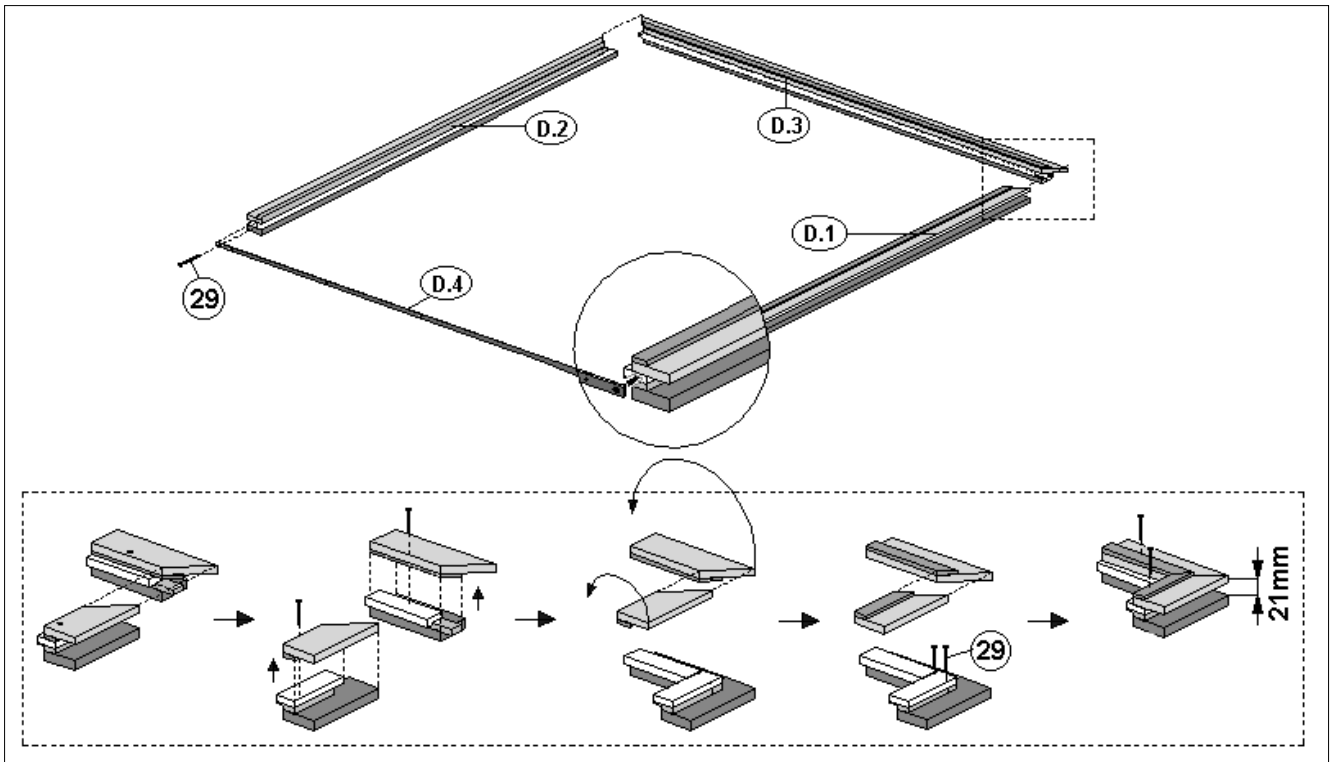


| Pos. | Bild  | Abmessung                     | Bemerkung                      |
|------|---|-------------------------------|--------------------------------|
| D.1  |    | 54 / 80<br>61 / 80<br>80 / 80 | 21 mm WS<br>28mm WS<br>45mm WS |
| D.2  |    | 54 / 80<br>61 / 80<br>80 / 80 | 21 mm WS<br>28mm WS<br>45mm WS |
| D.3  |    | 54 / 80<br>61 / 80<br>80 / 80 | 21 mm WS<br>28mm WS<br>45mm WS |
| D.4  |   | 5 / 15                        |                                |
| D.5  |  |                               |                                |
| D.6  |  |                               |                                |
| D.7  |  | 15 / 45                       |                                |
| D.8  |  |                               |                                |
| D.9  |  |                               |                                |

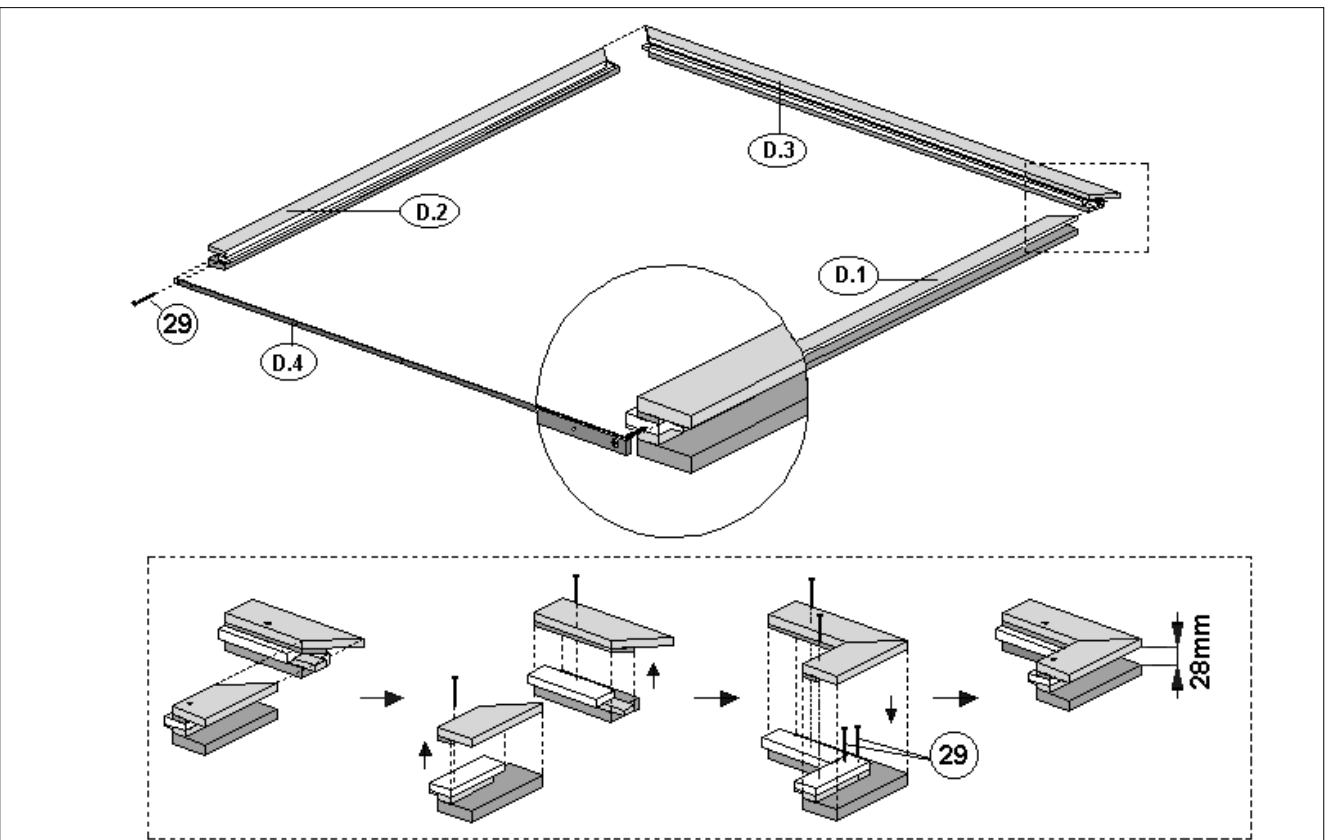
| Pos. | Bild  | Abmessung | Bemerkung |
|------|---|-----------|-----------|
| D.10 |    |           |           |
| D.11 |    | 35 / 45   |           |
| D.12 |    | 15 / 25   |           |
| D.13 |   |           |           |
| D.14 |  | 3,0 x 25  |           |
| D.15 |  | 16 x 30   |           |



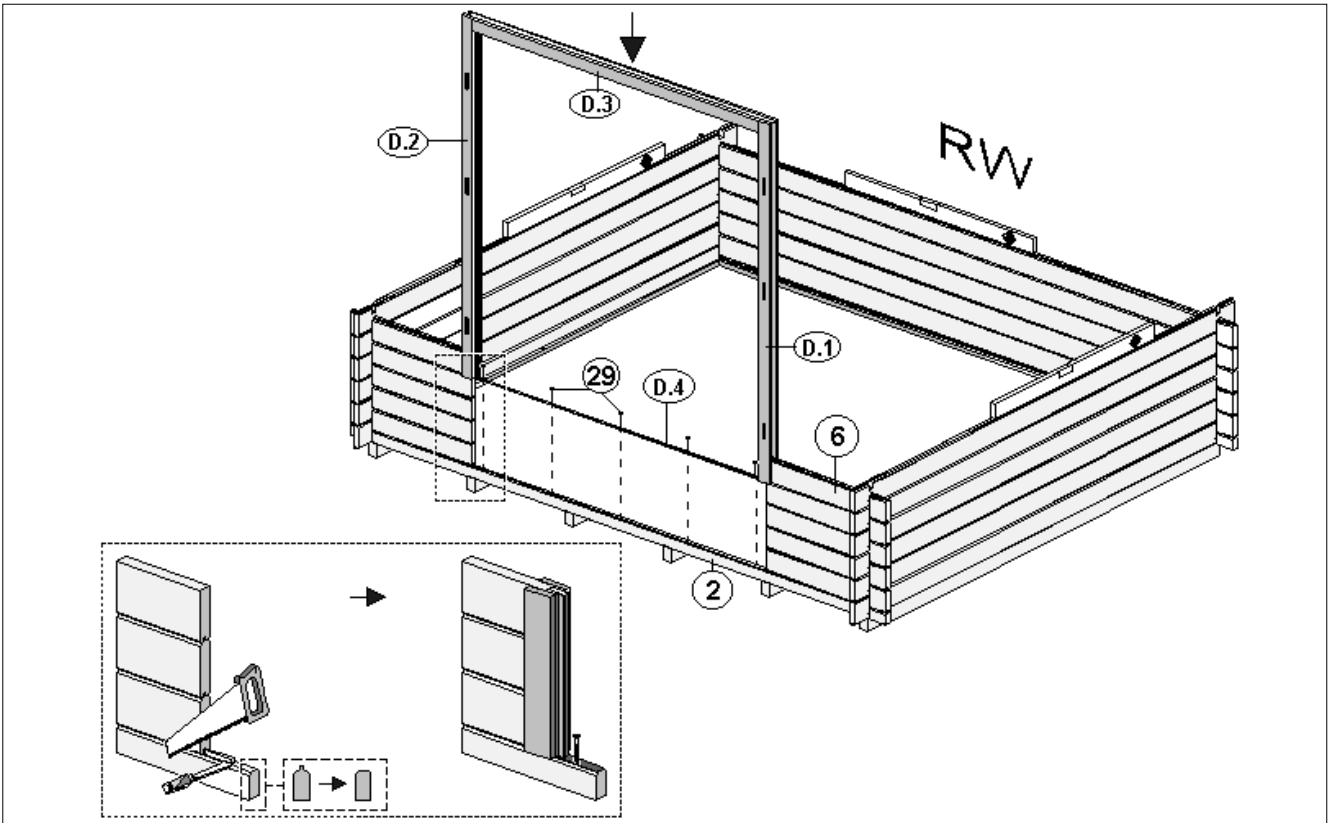
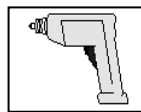
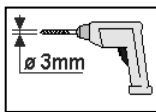
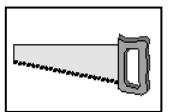
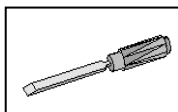
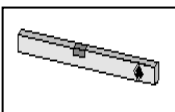
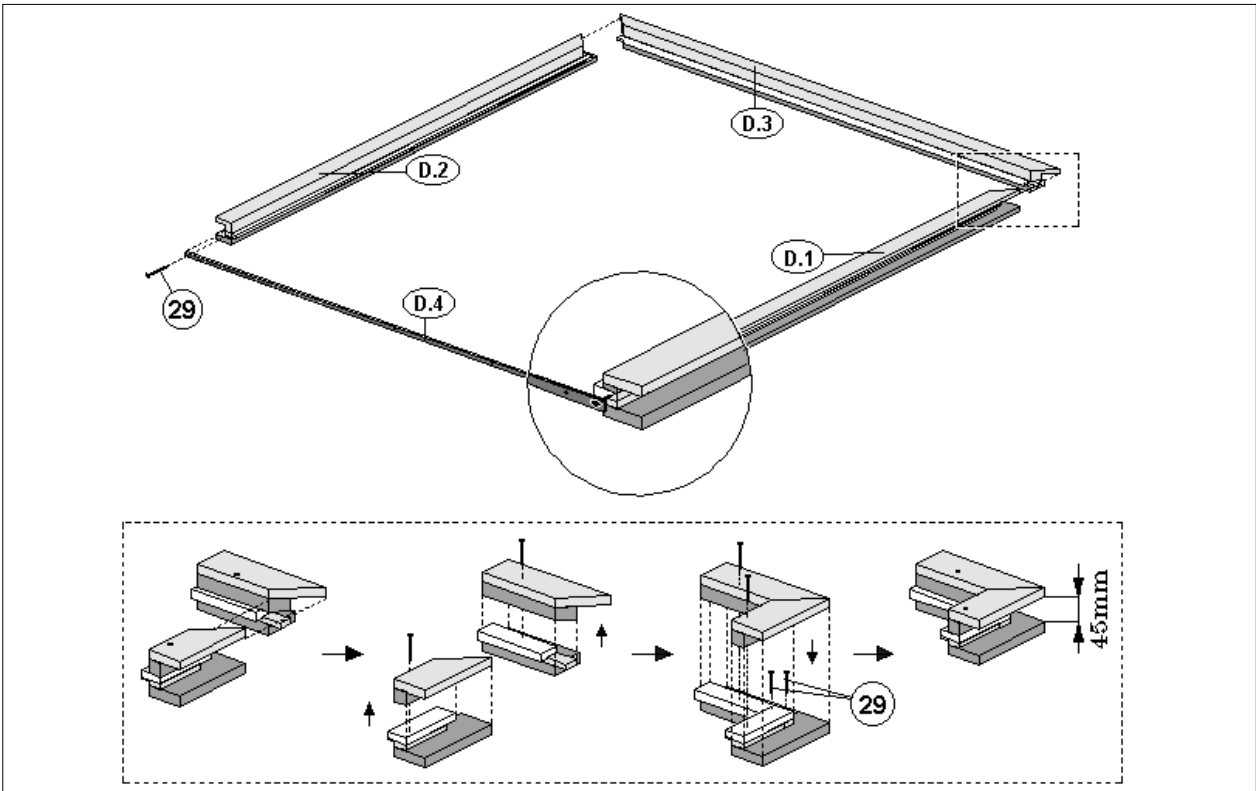
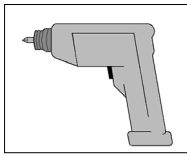
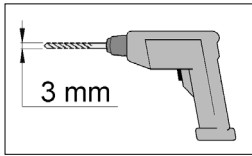
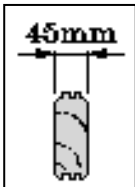
## 21mm WS

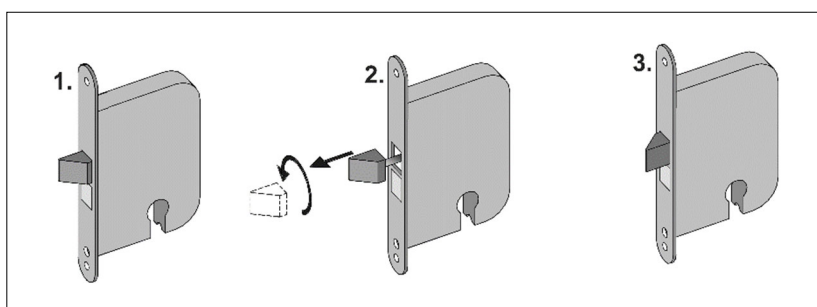
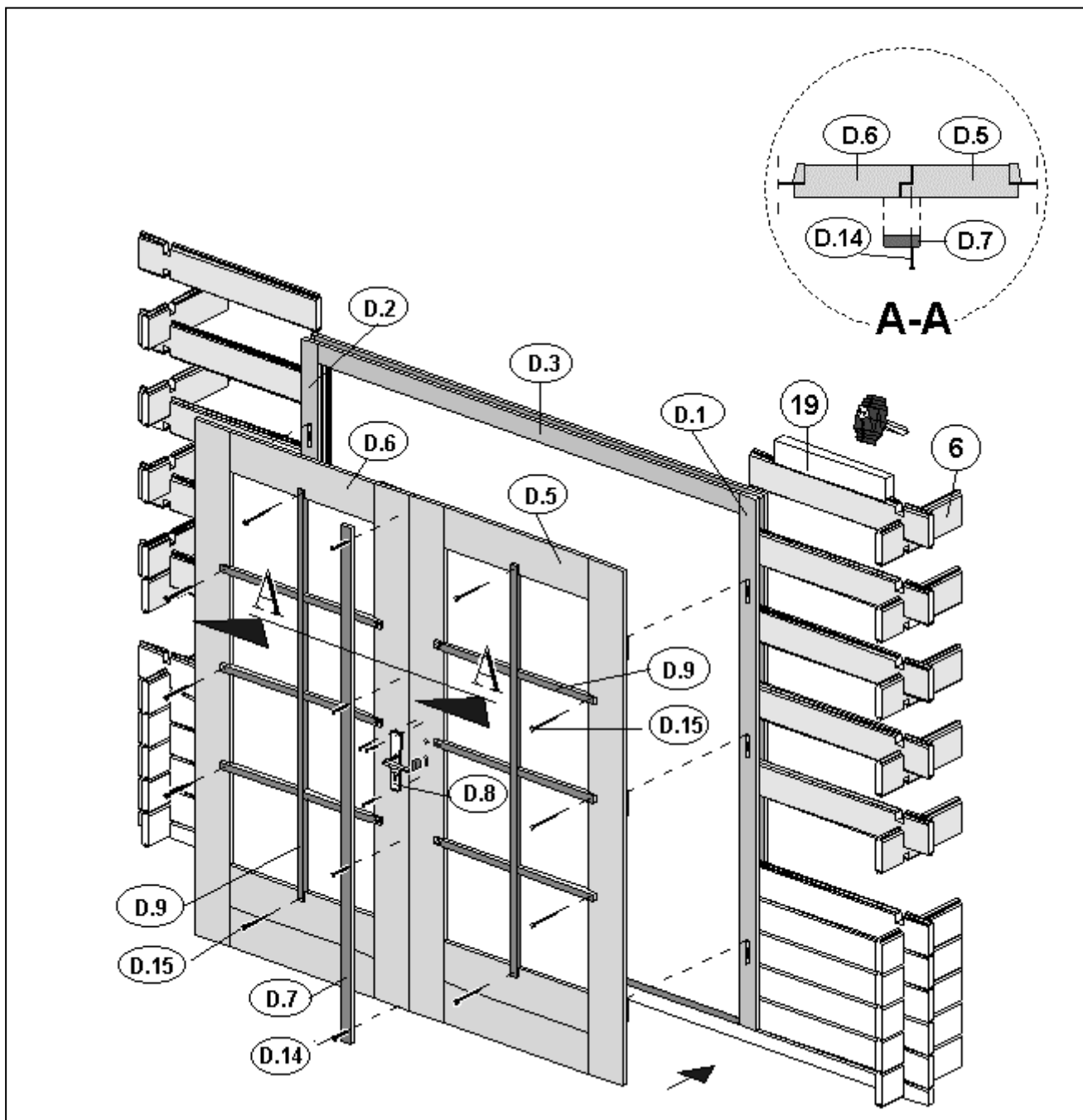
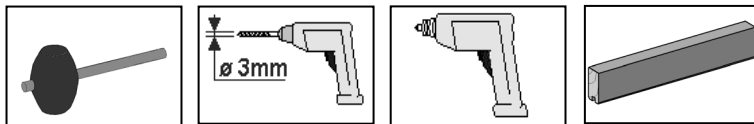


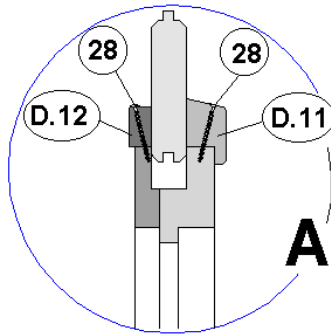
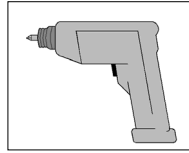
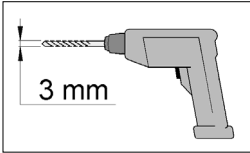
## 28mm WS



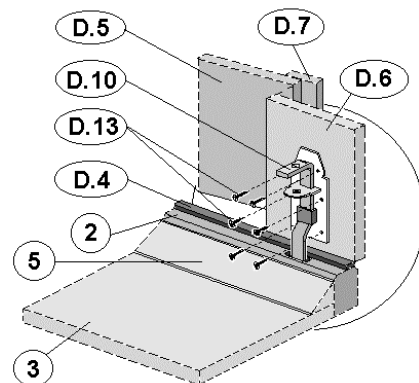
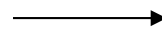
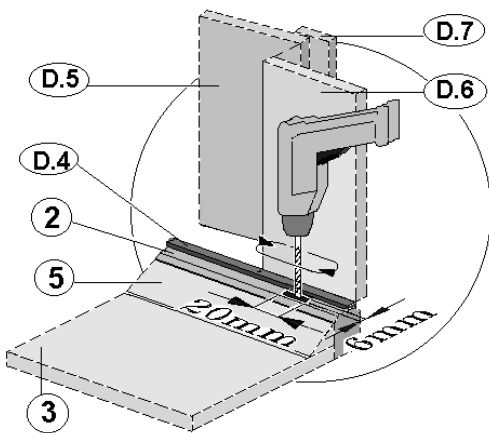
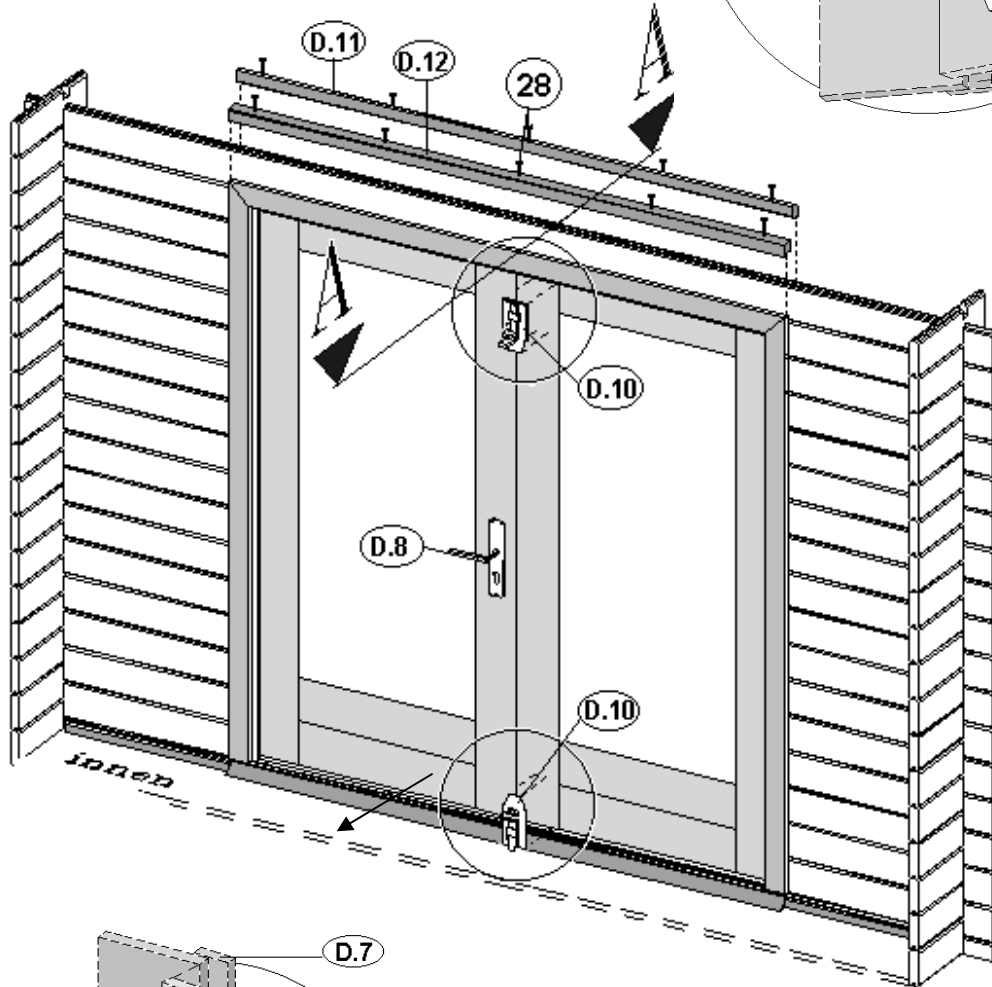
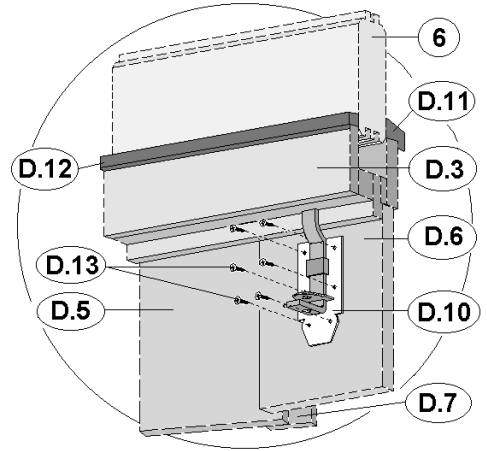




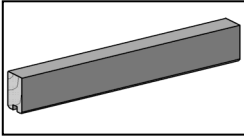
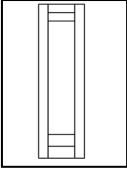
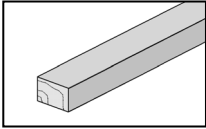
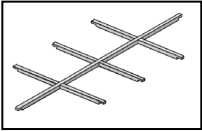
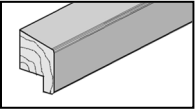
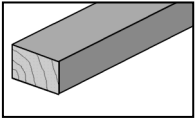
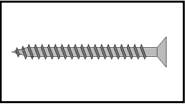
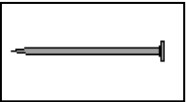


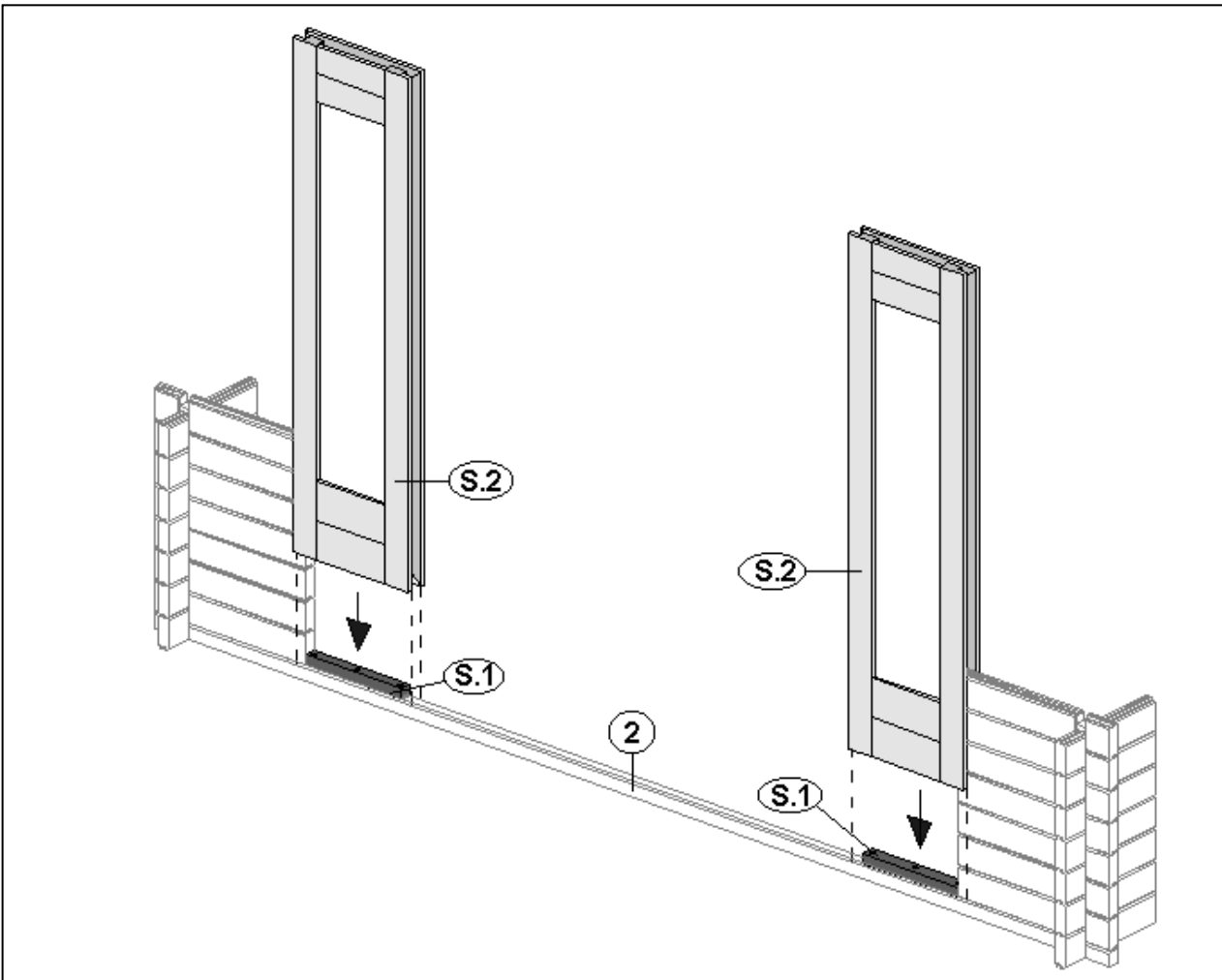
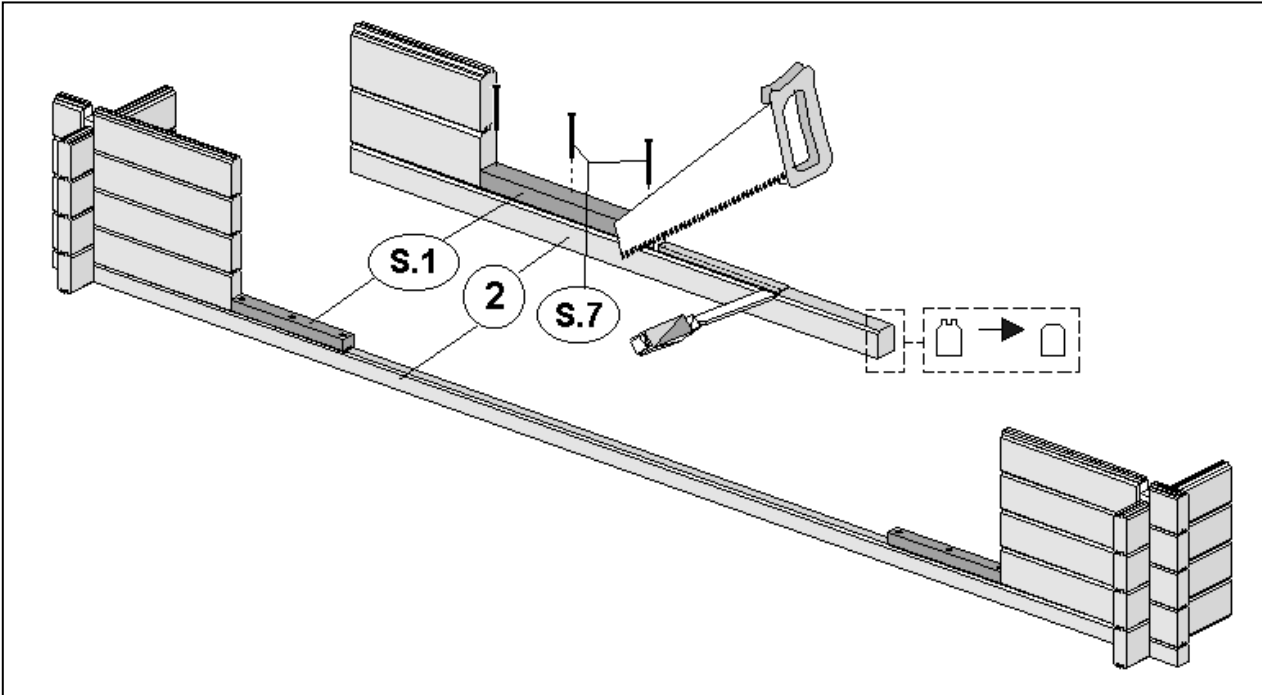
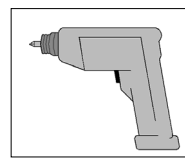
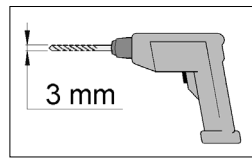
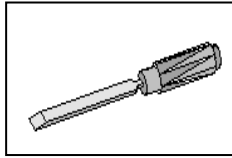
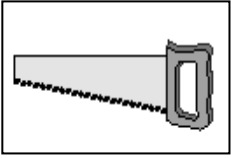


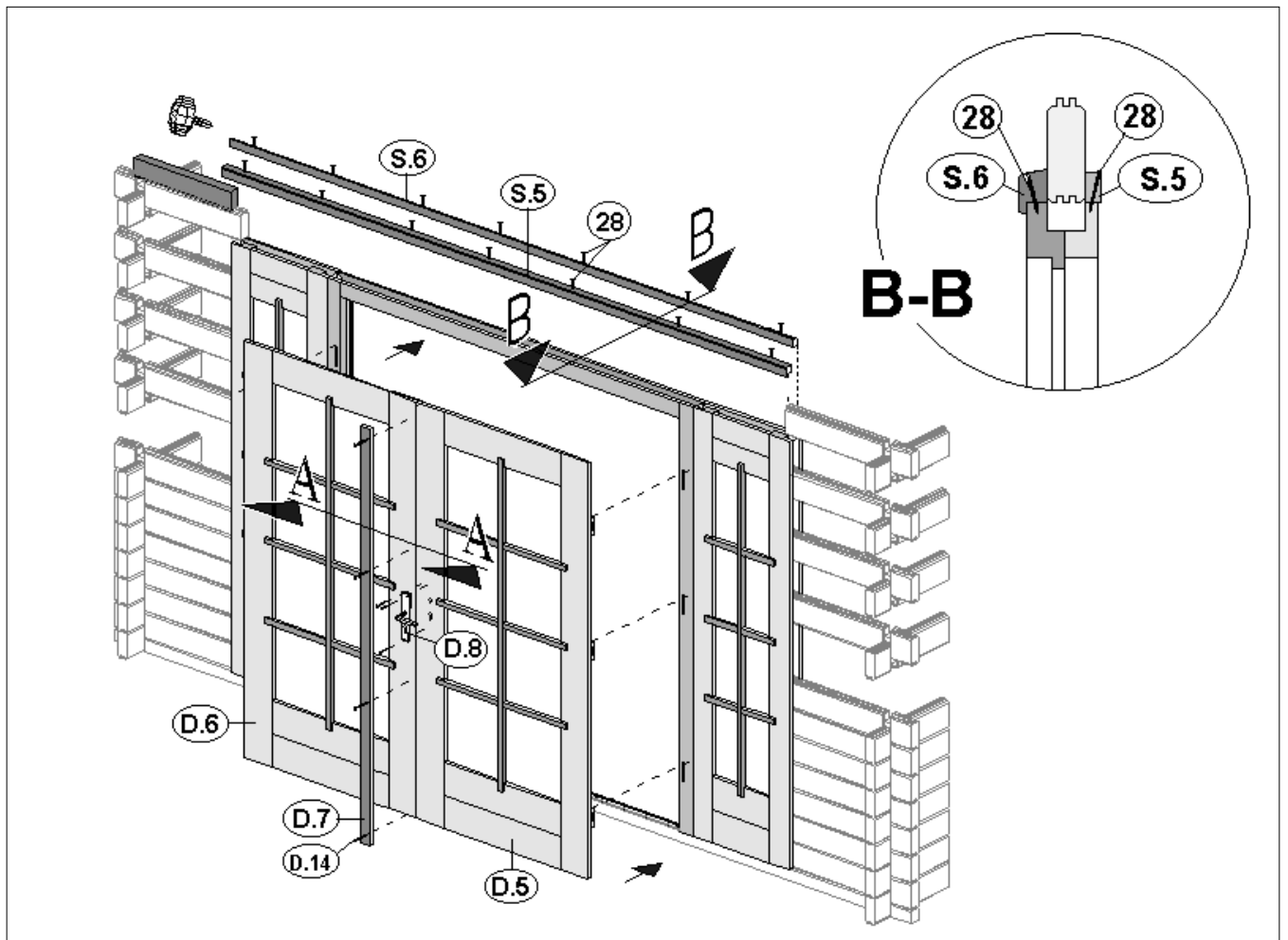
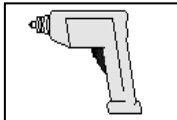
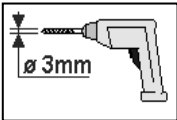
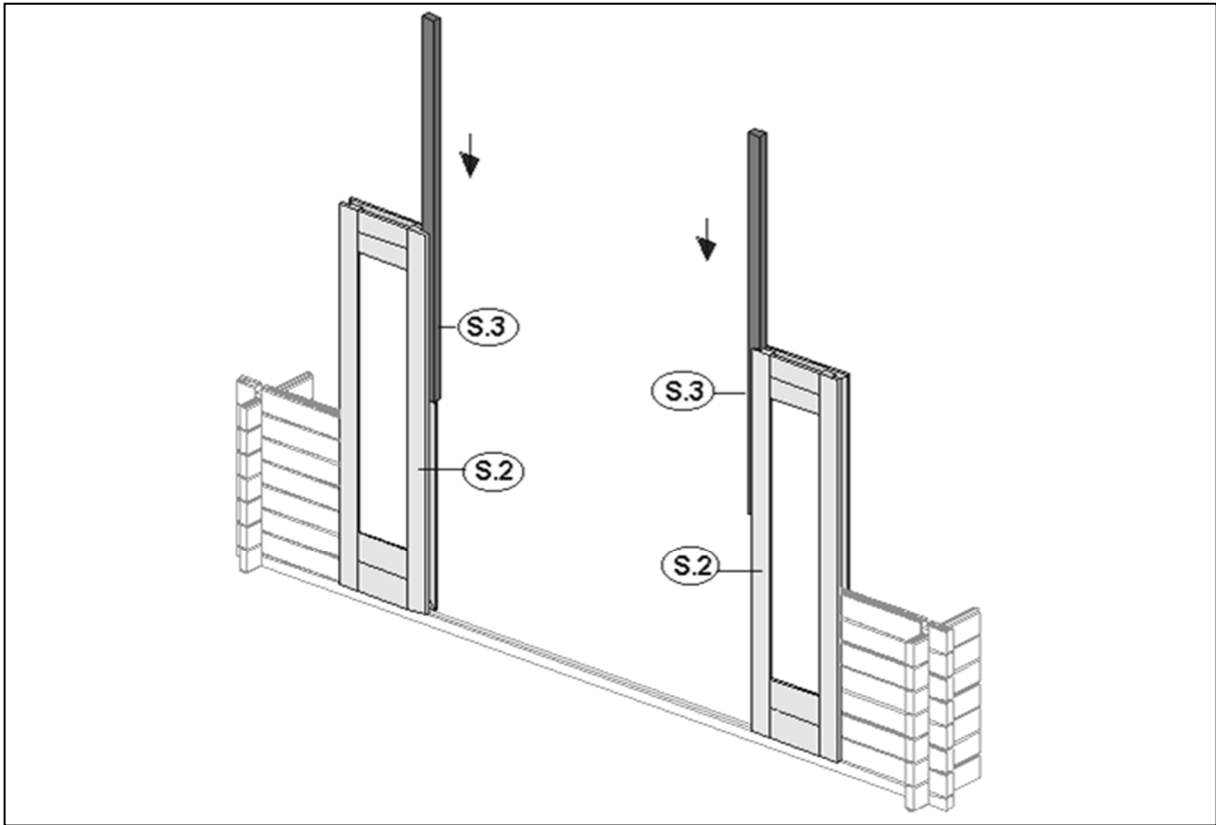
**A-A**



# Seitenglaselement

| Pos. | Bild  | Abmessung |
|------|---|-----------|
| S.1  |    | 45 / 40   |
| S.2  |    |           |
| S.3  |   | 45 / 70   |
| S.4  |  |           |
| S.5  |  | 35 / 45   |
| S.6  |  | 15 / 25   |
| S.7  |  | 5,0 x 70  |
| S.8  |  | 16 x 30   |









weka Holzbau GmbH, Johannesstr. 16  
D-17034 Neubrandenburg  
tel. (0049) 395 429080  
fax (0049) 395 45129819  
EMail: Info@weka-Holzbau.com

**MA Art.-Nr.: 800.0286.00.11**