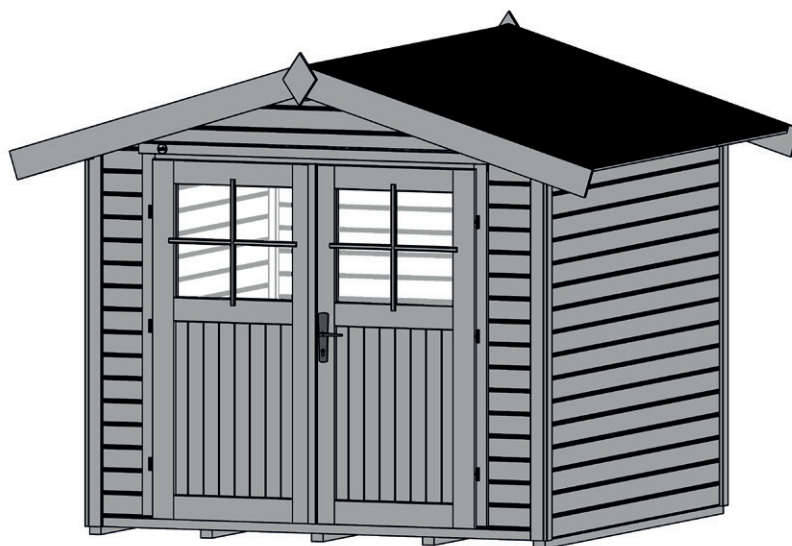




www.weka-holzbau.com



Gartenhaus



122.2421.40001
122.2421.43001
122.2421.45001
122.2421.46001

122.2424.40001
122.2424.43001
122.2424.45001
122.2424.46001

Montage-, Bedienungs- und Wartungsanleitung



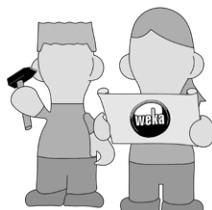
800.0286.17.76

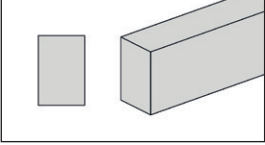
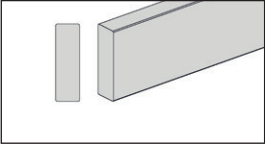
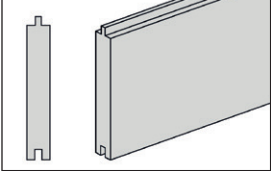
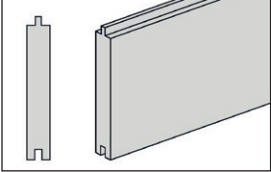
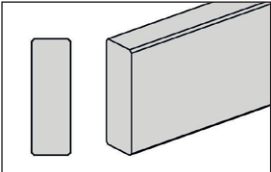
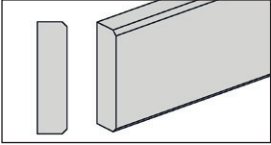
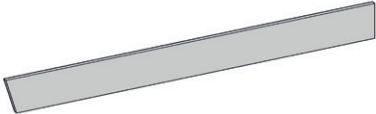
+


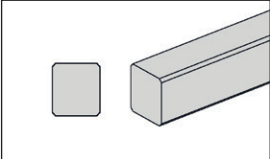

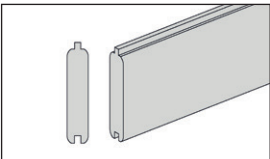
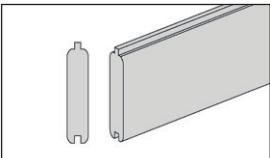
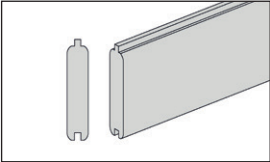
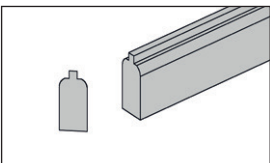


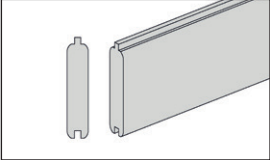

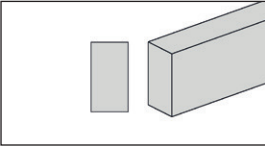

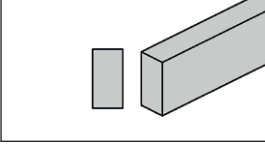
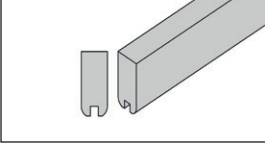
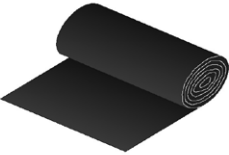
800.0286.20.02

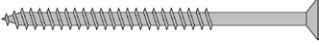
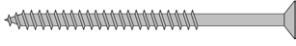





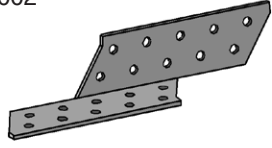
=

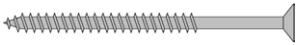





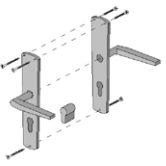
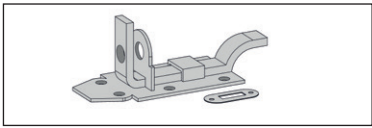



| Pos | Bild | Abmessung (mm) | Anzahl (Stück) | |
|-----|---|----------------------------|------------------|-----------------|
| | | | 122.2421.4x0001 | 122.2424.4x0001 |
| ① | R002.0650.2050 R002.0650.2350  | 40/60/2050 40/60/2350 | 5 - | - 5 |
| ② | R002.0350.2350 R002.0350.2700  | 45/146/2350 45/146/2700 | 1 - | - 1 |
| ③ | R002.0091.2350  | 15,5/96/2350 | 23 | 27 |
| ④ | R002.0091.1550  | 15,5/96/1550 | 54 | 62 |
| ⑤ | R002.0530.1775  | 15/45/1775 | 3 | 4 |
| ⑥ | R002.0425.1950 R010.0425.1950  | 18,5/70/1950 | 8 | 8 |
| ⑦ | G100.07.0067 G100.07.1019  | 18,5/146/1610 | 4 | 4 |

| Pos | Bild | Abmessung (mm) | Anzahl (Stück) | |
|-----|---|----------------------------|-----------------|-----------------|
| | | | 122.2421.4x0001 | 122.2424.4x0001 |
| 8 |  G100.10.0001 G100.10.1001 | 18,5/160/260 | 2 | 2 |
| 9 |  R002.0225.1930 | 40/40/1930 | 4 | 4 |
| 10 |  B122.02.0001 B122.208.0001 B122.211.0001 B122.212.0001 | 28/451/2350 | 2 | 2 |
| 11 |  R002.0035.2350 R208.0035.2350 R211.0035.2350 R212.0035.2350 | 28/121/2350 | 16 | 16 |
| 12 |  R002.0035.2050 R208.0035.2050 R211.0035.2050 R212.0035.2050 R002.0035.2350 R208.0035.2350 R211.0035.2350 R212.0035.2350 | 28/121/2050 28/121/2350 | 32 - | - 32 |
| 13 |  R002.0035.2350 R208.0035.2350 R211.0035.2350 R212.0035.2350 R002.0035.2700 R208.0035.2700 R211.0035.2700 R212.0035.2700 | 28/121/2350 28/121/2700 | 2 - | - 2 |
| 14 |  G122.01.0005 G126.208.0030 G126.211.0030 G126.212.0030 | 28/63/2350 | 2 | 2 |

| Pos | Bild | Abmessung (mm) | Anzahl (Stück) | |
|-----|---|---------------------|-----------------|-----------------|
| | | | 122.2421.4x0001 | 122.2424.4x0001 |
| 15 | R002.0035.0280 R208.0035.0280 R211.0035.0280 R212.0035.0280  | 28/121/280 | 32 | 32 |
| 16 | A100.12.2930 A100.12.2970  | 62/1820/1810 | 1 | 1 |
| 17 | R002.0181.1805  | 15/28/1805 | 2 | 2 |
| 18 | B100.03.0062 B100.03.1062  | 35/60/1850 | 1 | 1 |
| 19 | G100.01.0005  | 15/25/1850 | 1 | 1 |
| 20 | G105.01.0006  | 28/60/300 | 4 | 4 |
| 21 | 100.1005.00.00 100.1008.00.00  | 6qm 10qm | - 1 | 2 - |

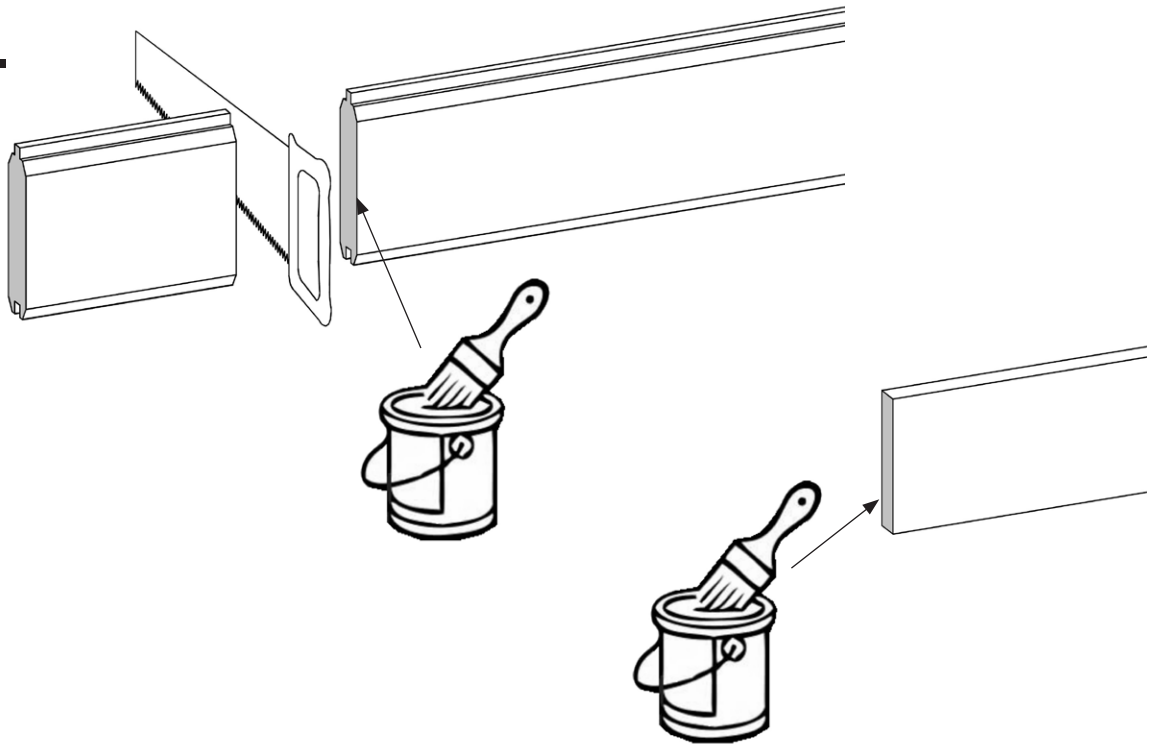
| M100.101 | | Abmessung (mm) | Anzahl (Stück) | |
|----------|---|---------------------|-----------------|-----------------|
| | | | 122.2421.4x0001 | 122.2424.4x0001 |
| Pos | Bild | | | |
| M1 | K001.8050.0004  | 5,0 x 80 | 20 | 20 |
| M2 | K001.6040.0004  | 4,0 x 60 | 350 | 350 |
| M3 | K001.4040.0004  | 4,0 x 40 | 150 | 150 |
| M4 | K001.3030.0004  | 3,0 x 30 | 30 | 30 |
| M5 | K002.2050.0004  | 5,0 x 20 | 24 | 24 |
| M6 | K010.5022.0001  | 2,2 x 55 | 700 | 700 |
| M7 | K011.1320.0001  | 2,0 x 13 | 600 | 600 |
| M8 | K075.2100.0002  | 32/32/170 | 2 | 2 |

| M100.045 | | Abmessung (mm) | Anzahl (Stück) | |
|----------|---|---------------------|-----------------|-----------------|
| | | | 122.2421.4x0001 | 122.2424.4x0001 |
| Pos | Bild | | | |
| M9 | K001.6040.0004  | 4,0 x 60 | 10 | 10 |
| M10 | K001.3535.0004  | 3,5 x 35 | 7 | 7 |
| M11 | K001.3030.0004  | 3,0 x 30 | 4 | 4 |
| M12 | K001.1635.0004  | 3,5 x 16 | 16 | 16 |
| M13 | K001.4040.0004  | 4,0 x 40 | 20 | 20 |
| M14 | K010.3016.0001  | 1,6 x 30 | 16 | 16 |
| M15 | K045.1270.0001 K036.3135.0001  | - | 1 | 1 |
| M16 | K050.5010.0001  | 50 x 100 | 2 | 2 |
| M17 | K127.1517.0001  | 50/70/1820 | 1 | 1 |

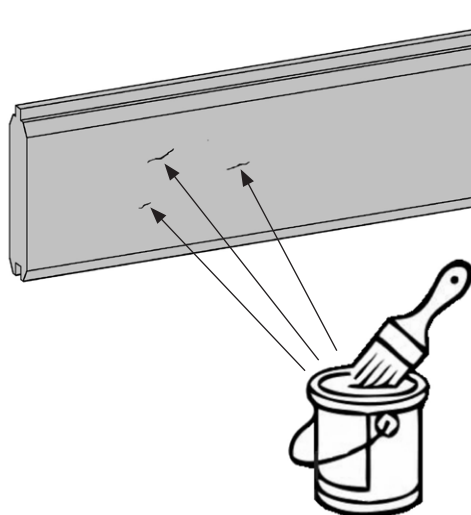
1.



2.

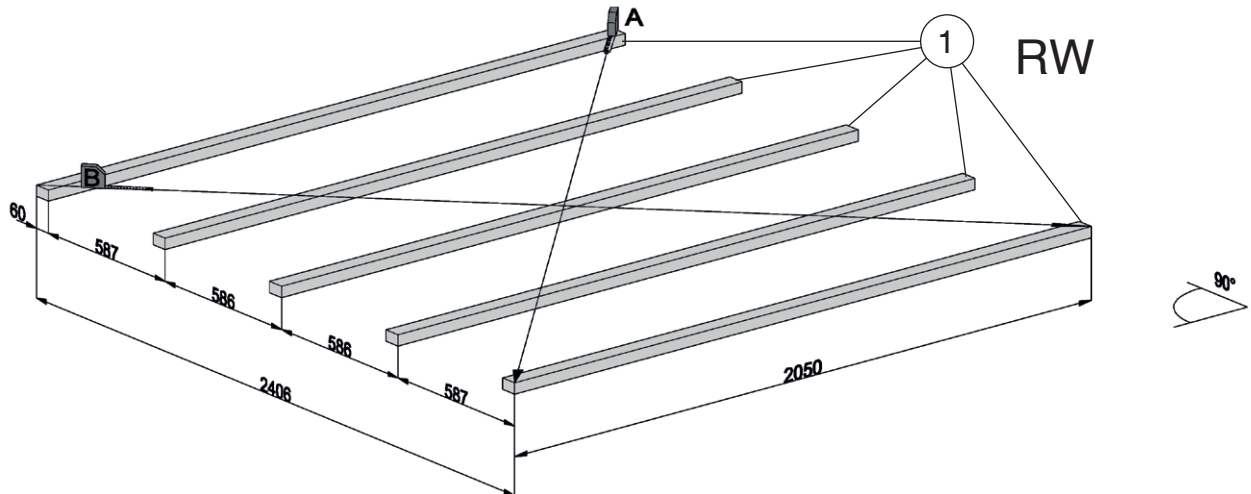
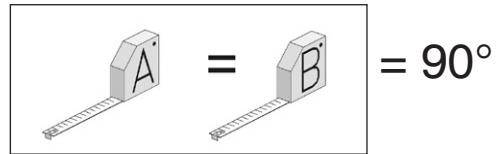


3.



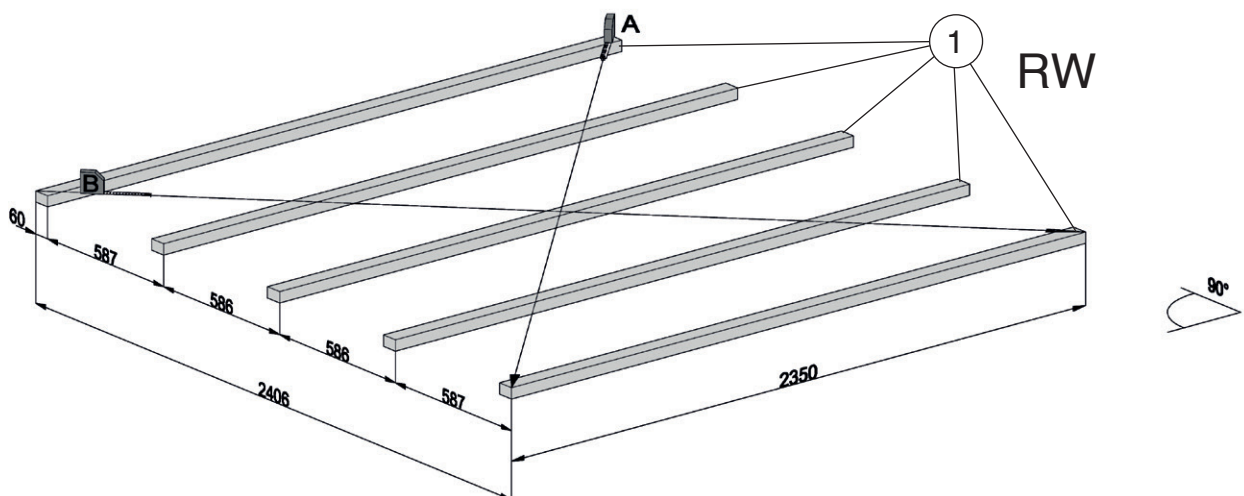
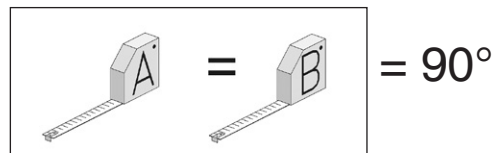
1

Art.-Nr.: 122.2421.4X001





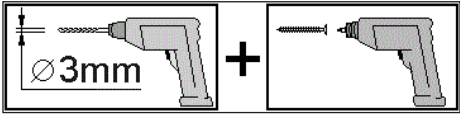
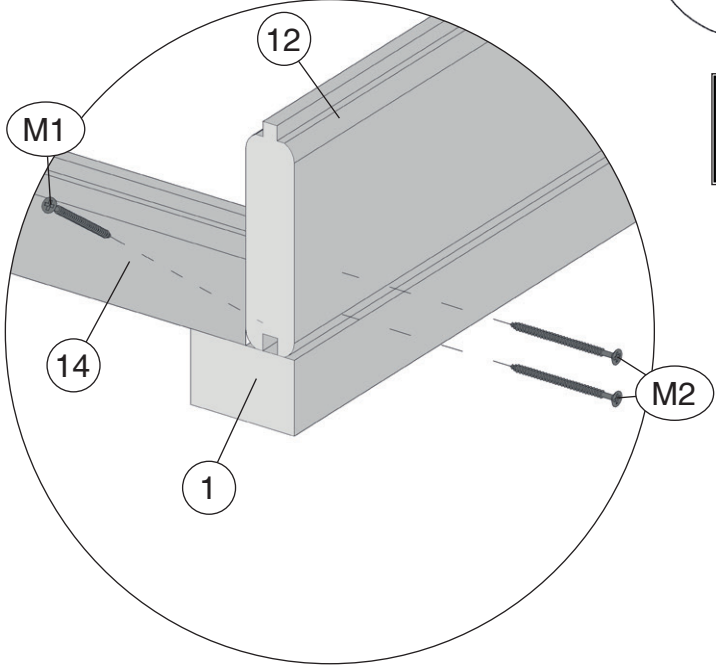
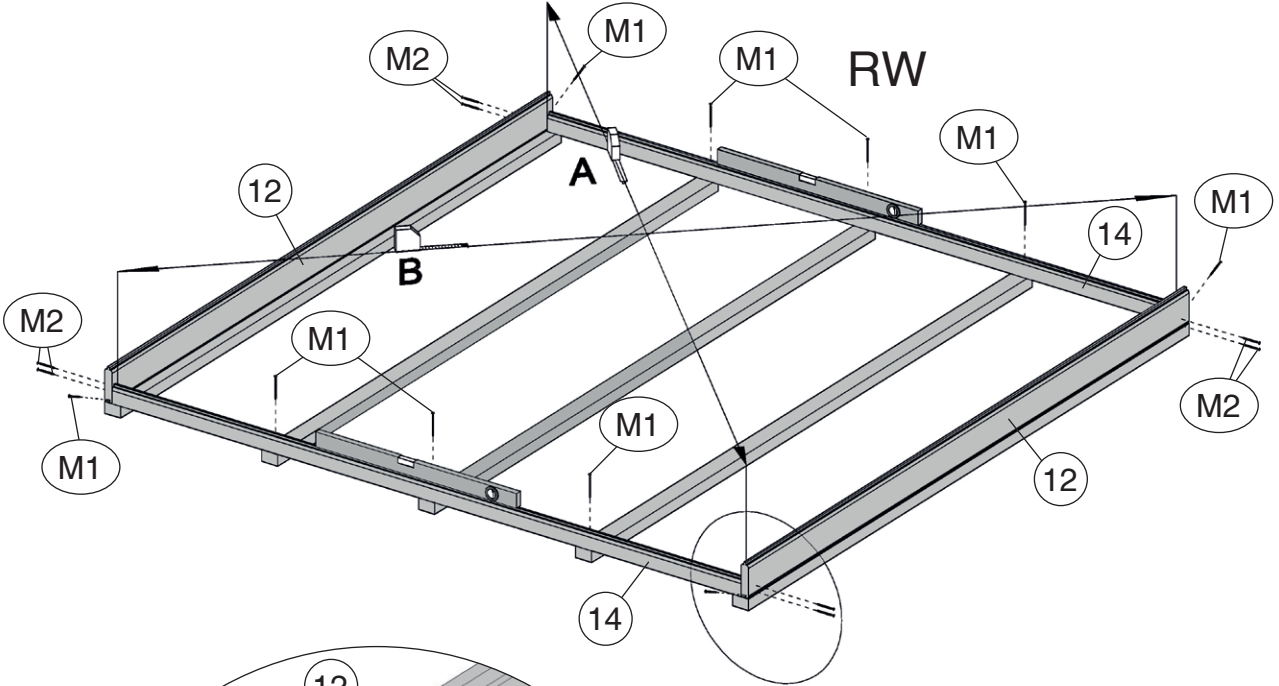
2

Art.-Nr.: 122.2424.4X001



3

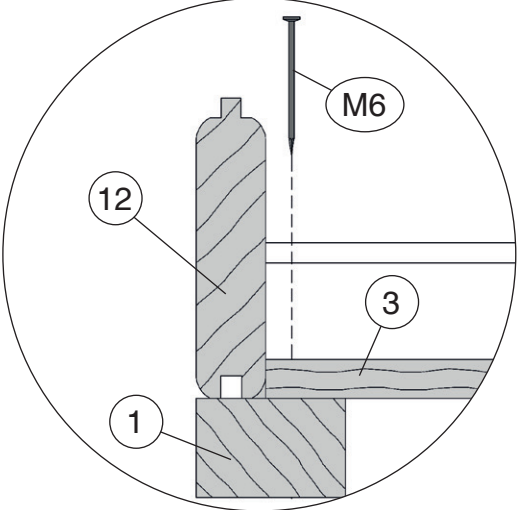
| | |
|---|-------------|
|  | M1 5,0 x 80 |
|  | M2 4,0 x 60 |



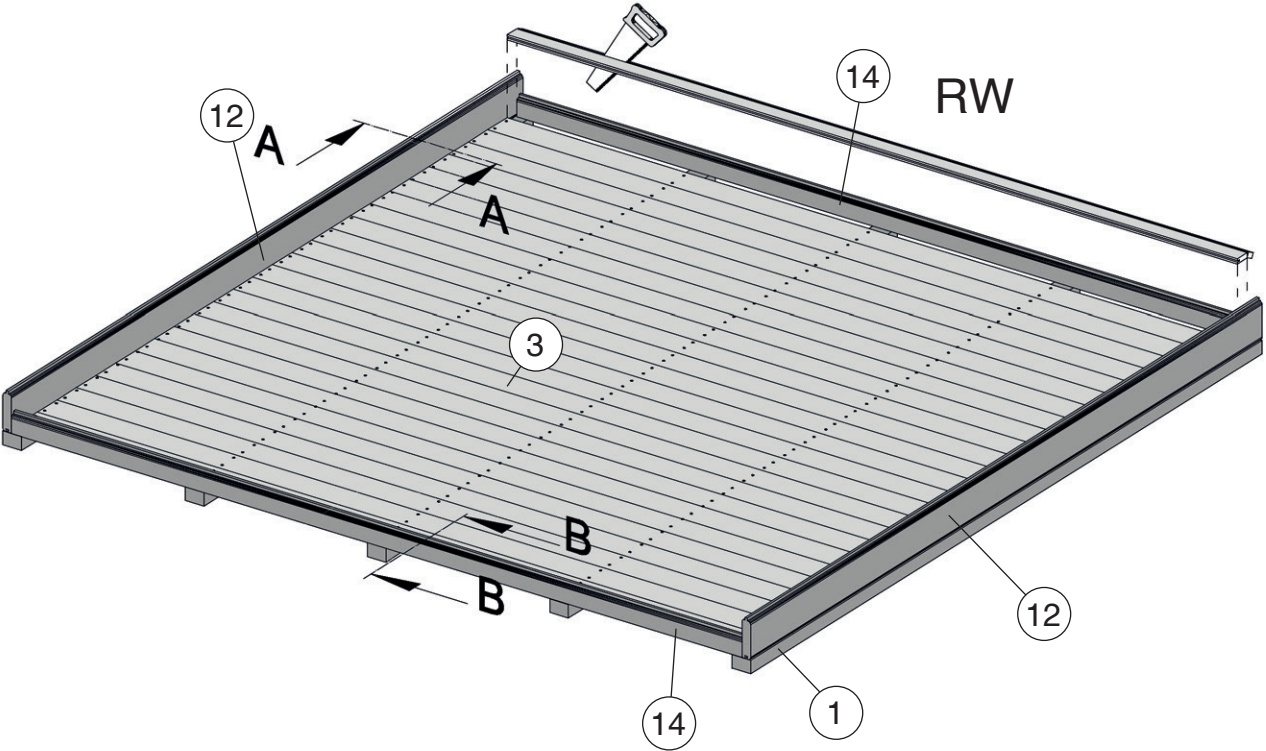
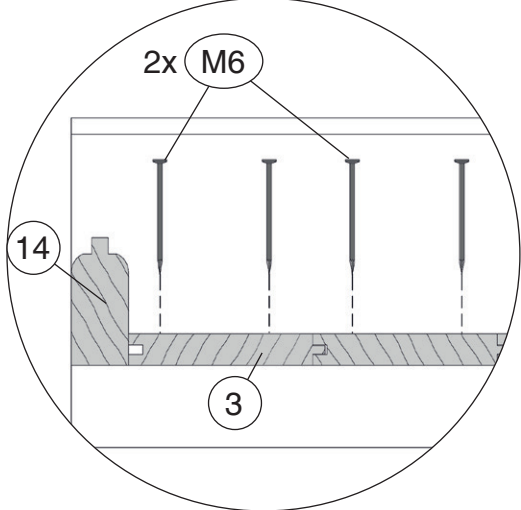
4

| | |
|---|-------------|
|  | M6 2,2 x 55 |
| | |



A-A

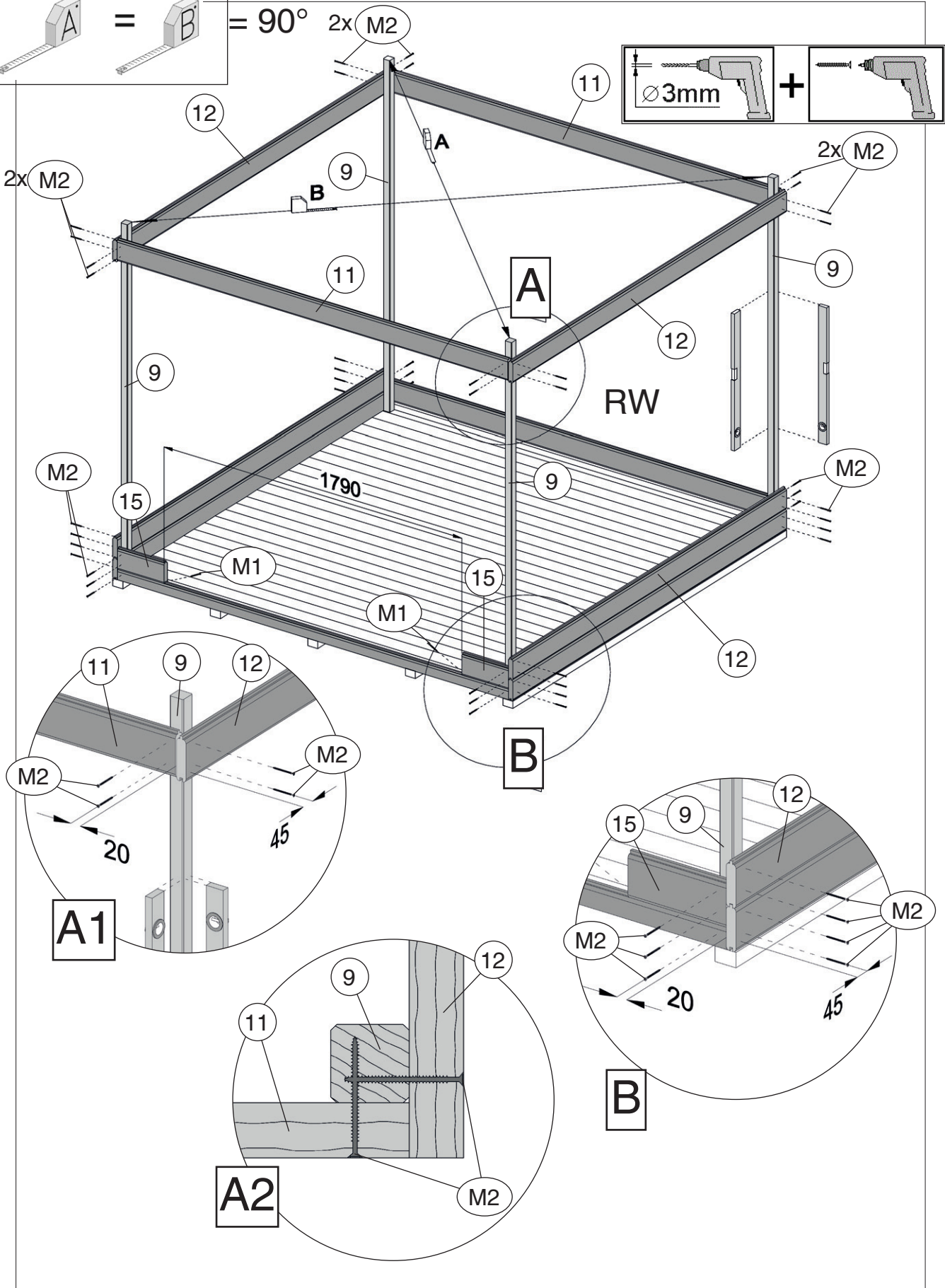
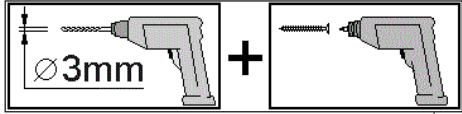
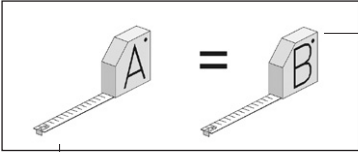


B-B

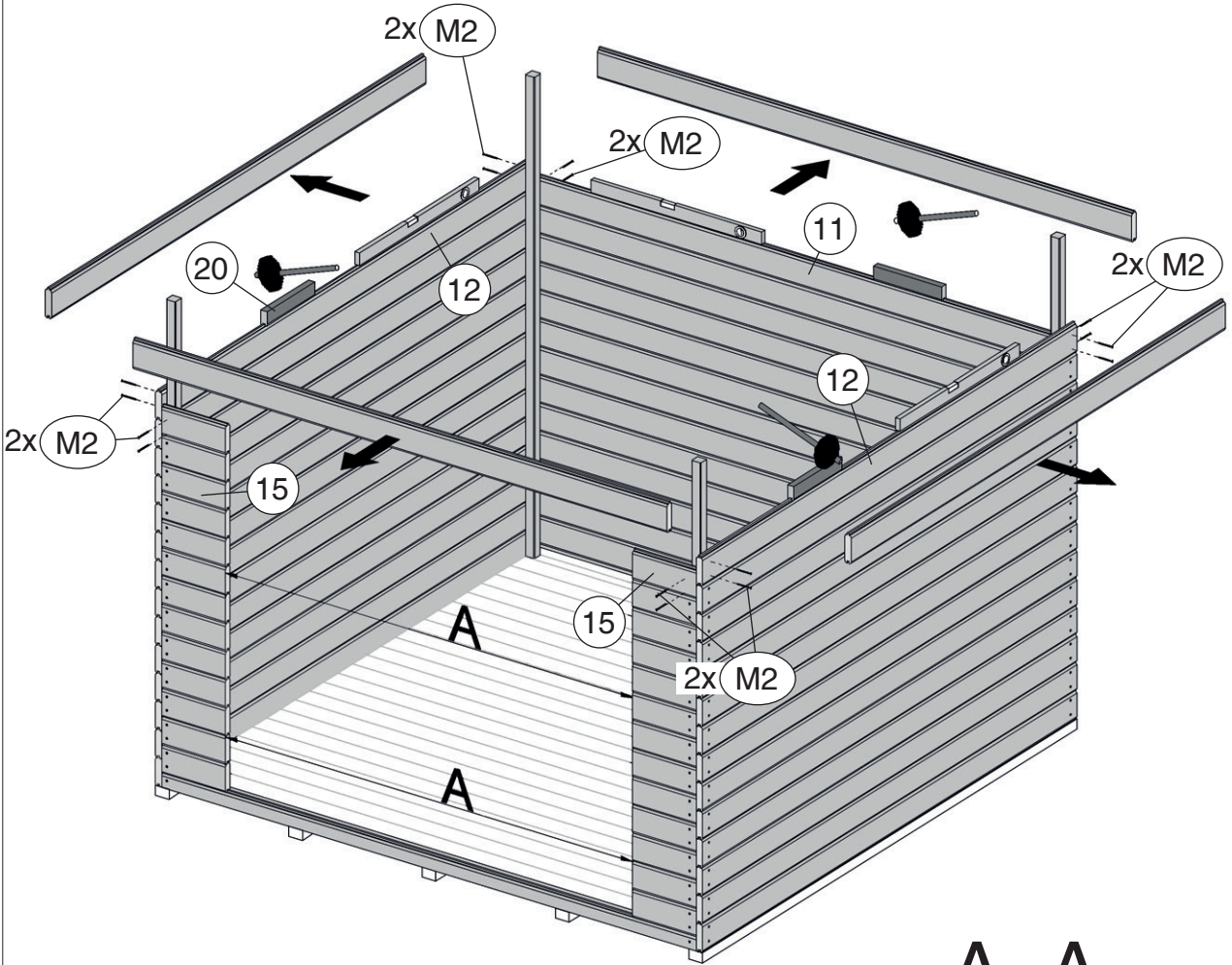
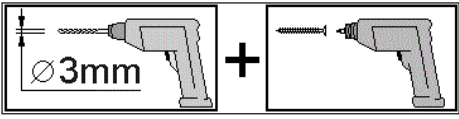
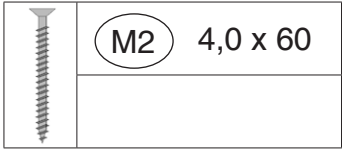


5

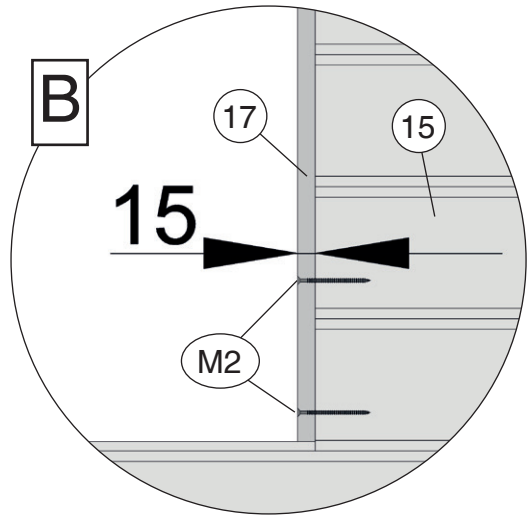
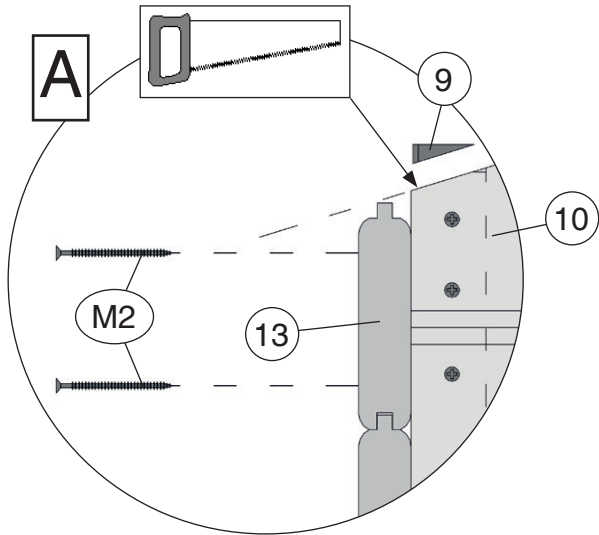
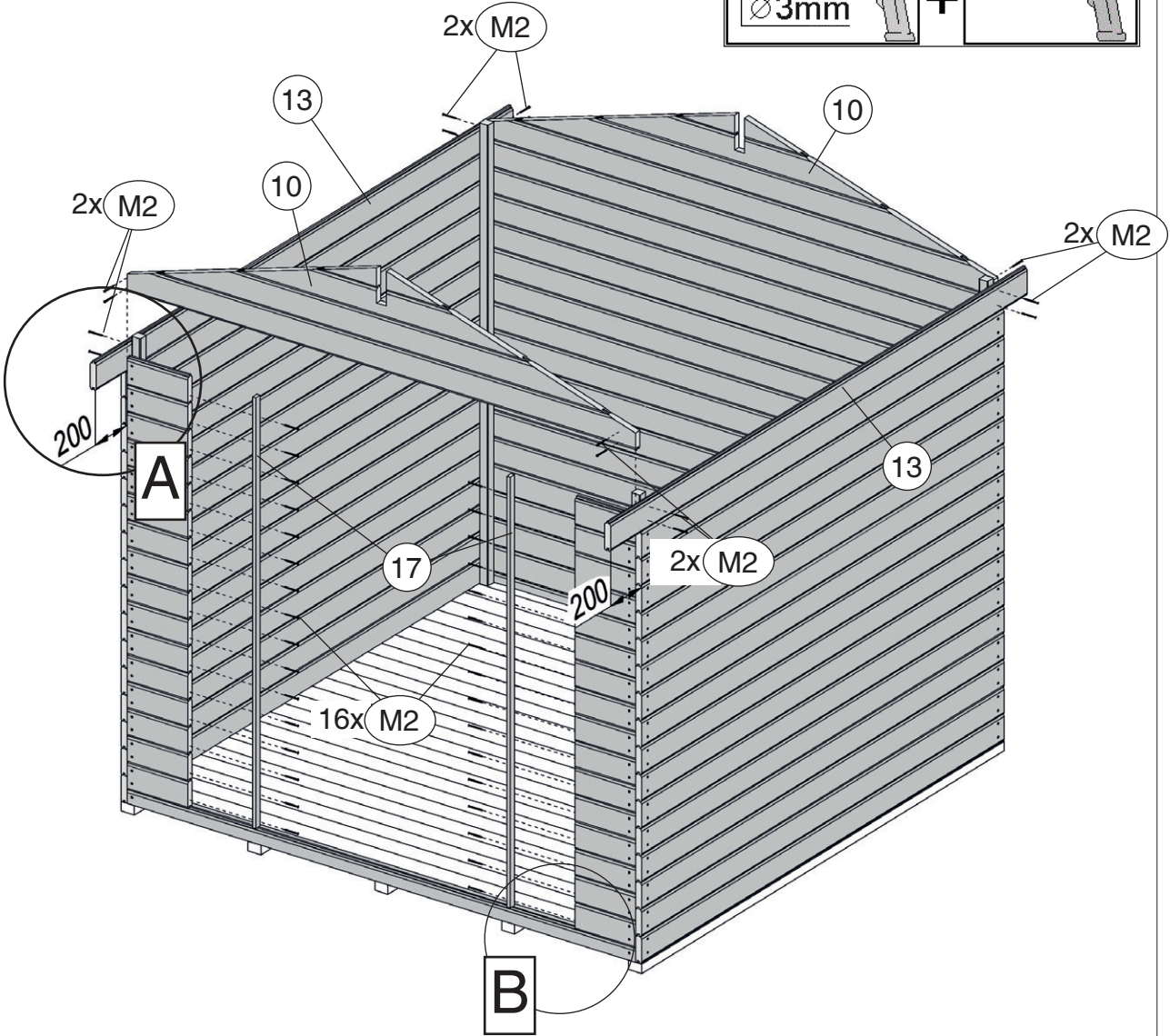
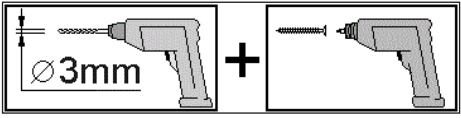
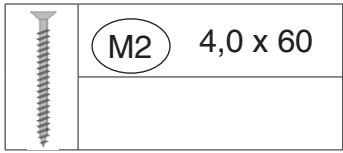
| | | |
|---|----|----------|
|  | M1 | 5,0 x 80 |
|  | M2 | 4,0 x 60 |



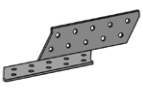
6





7

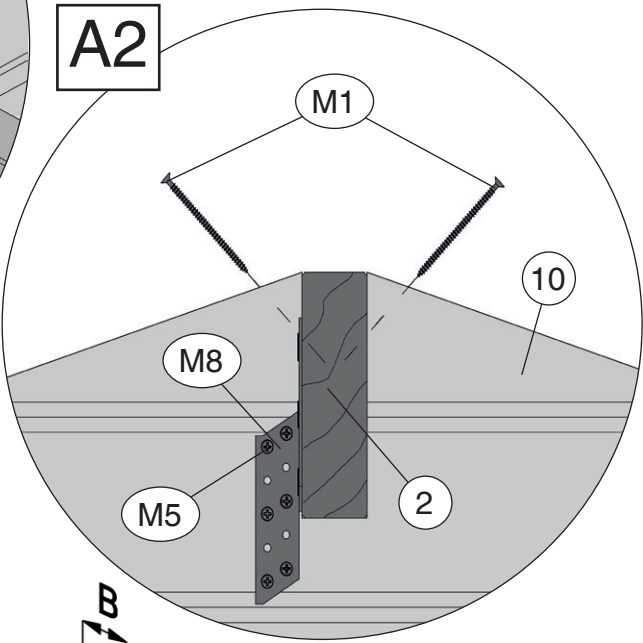
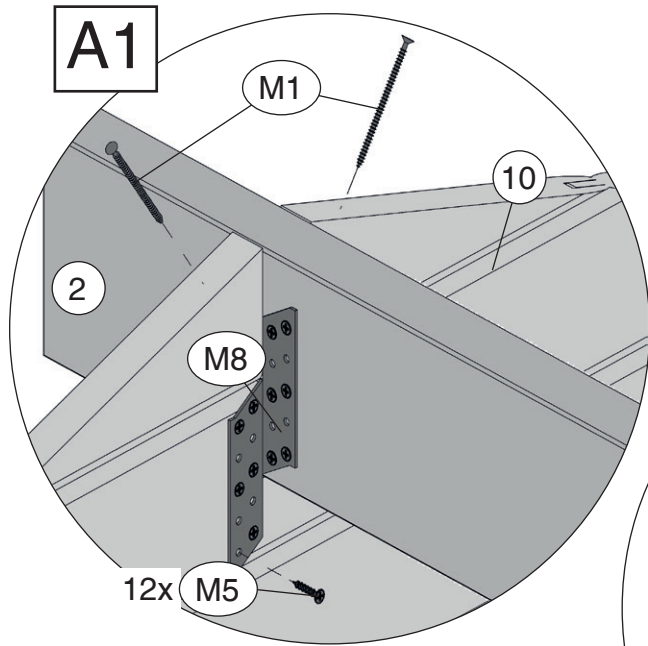


8

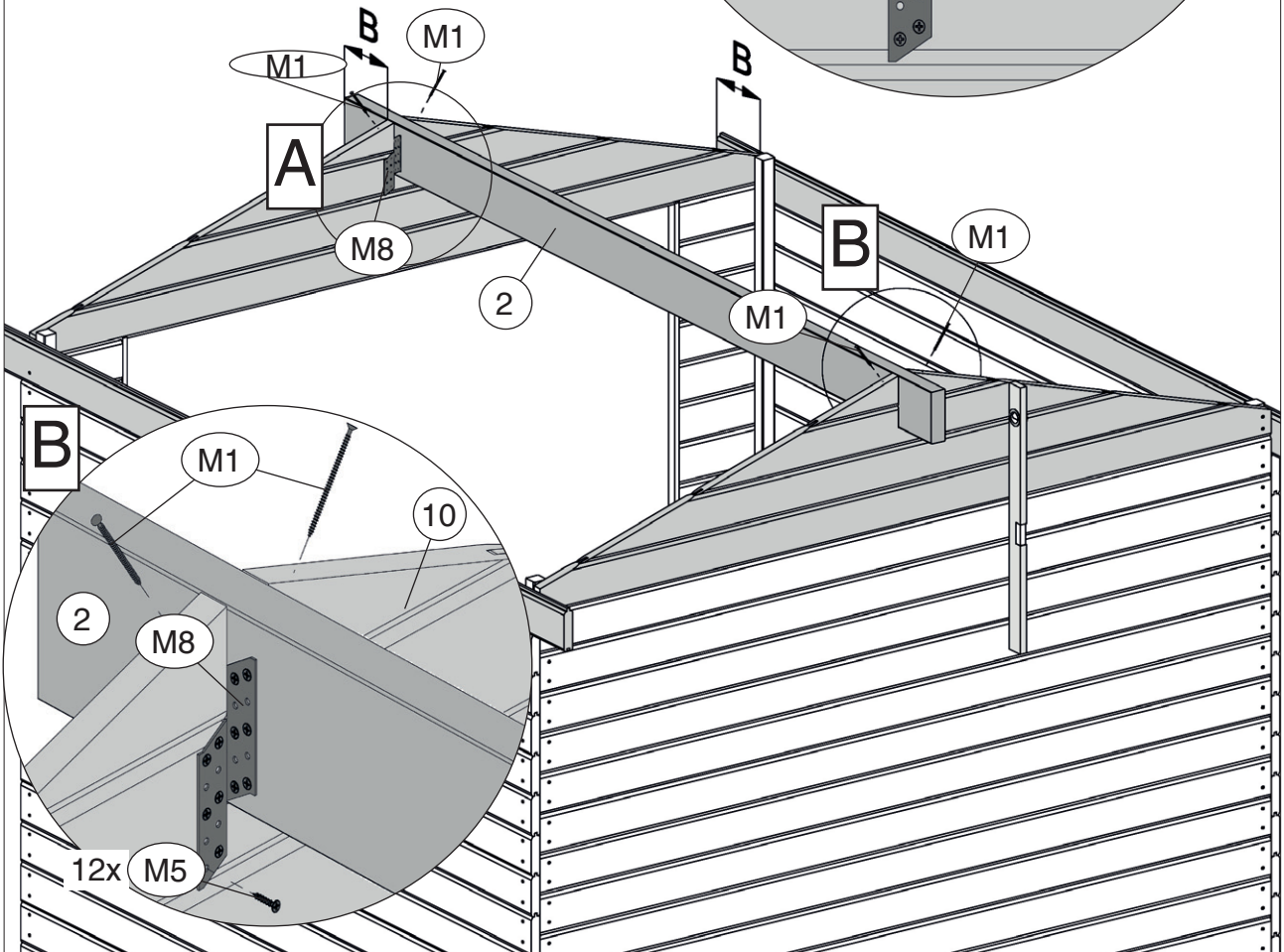
| | |
|---|--------------|
|  | M8 32/32/170 |
|---|--------------|

| | |
|---|-------------|
|  | M1 5,0 x 80 |
|---|-------------|

| | |
|---|-------------|
|  | M5 5,0 x 20 |
|---|-------------|

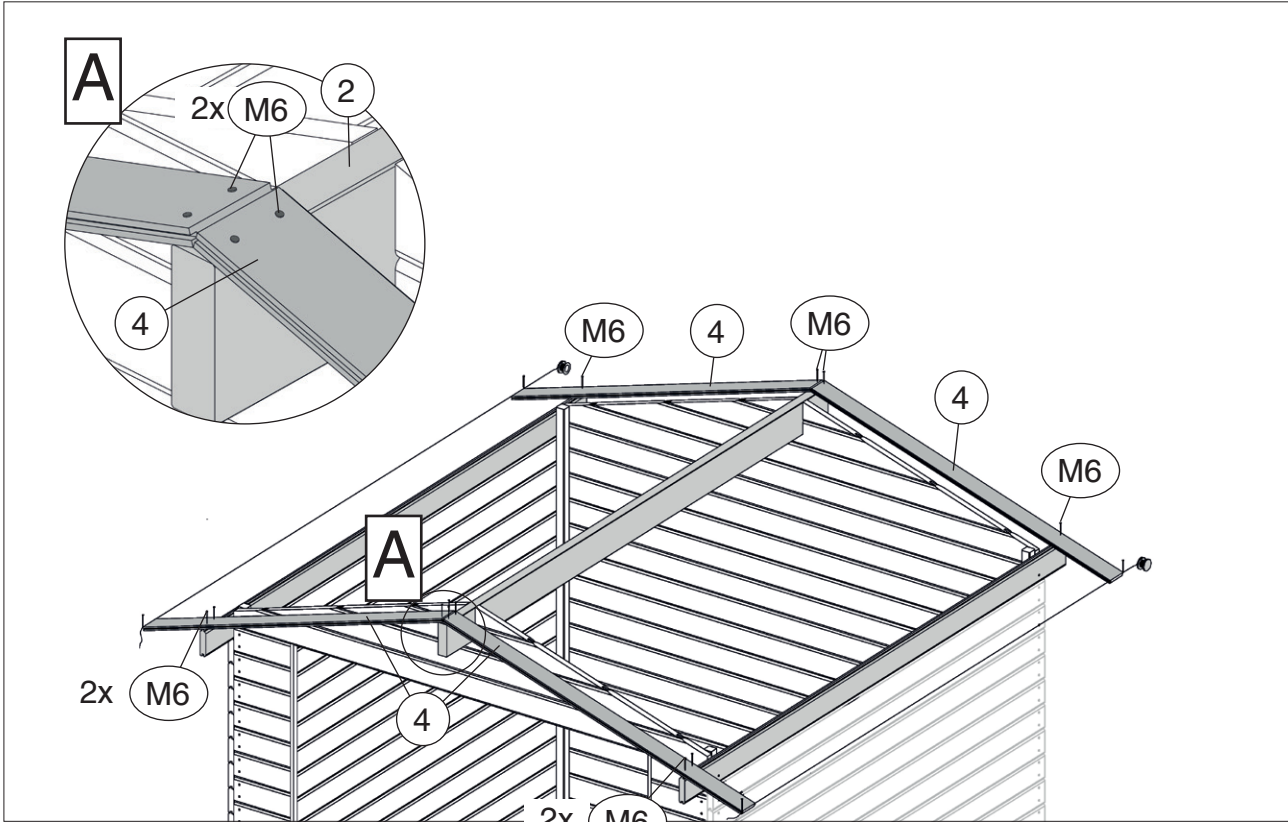


B=B

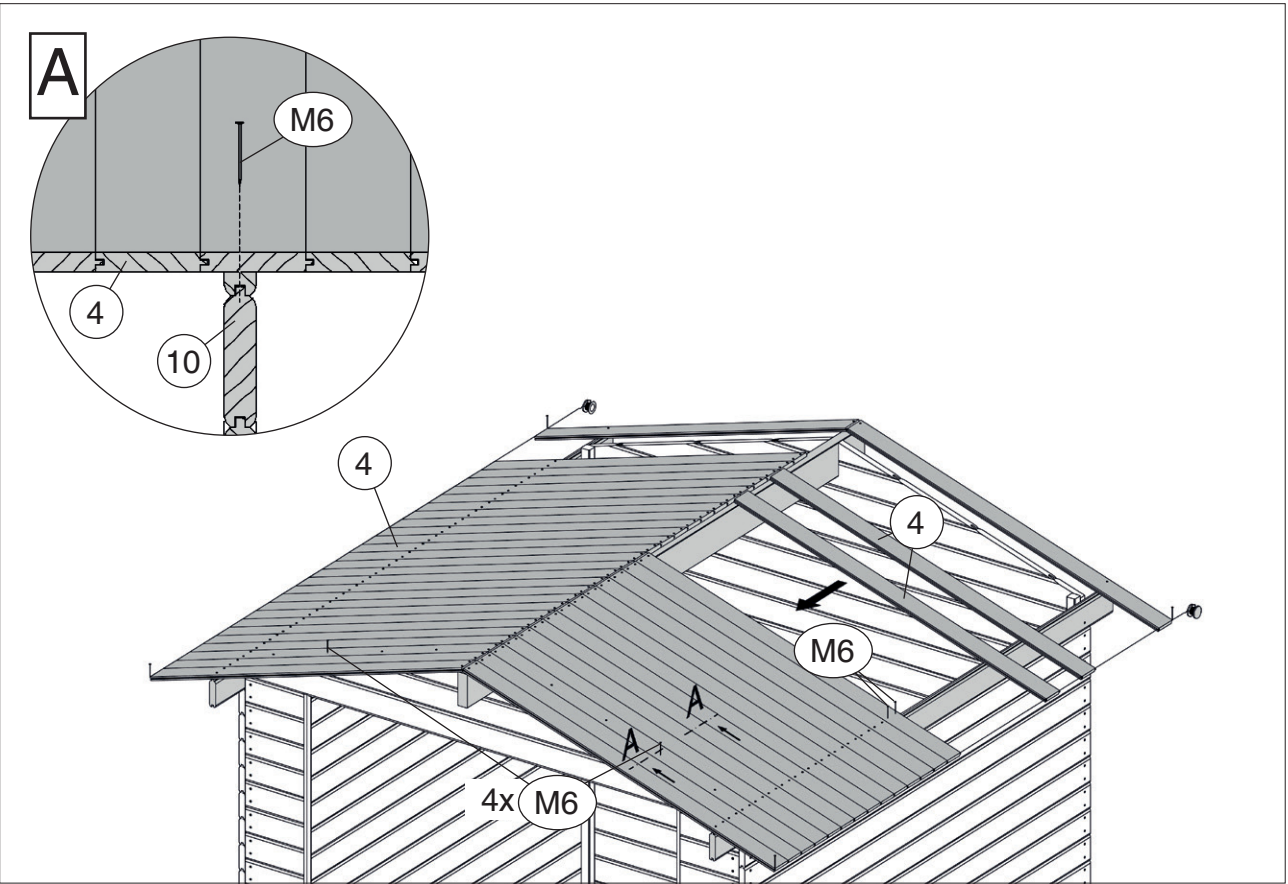


9

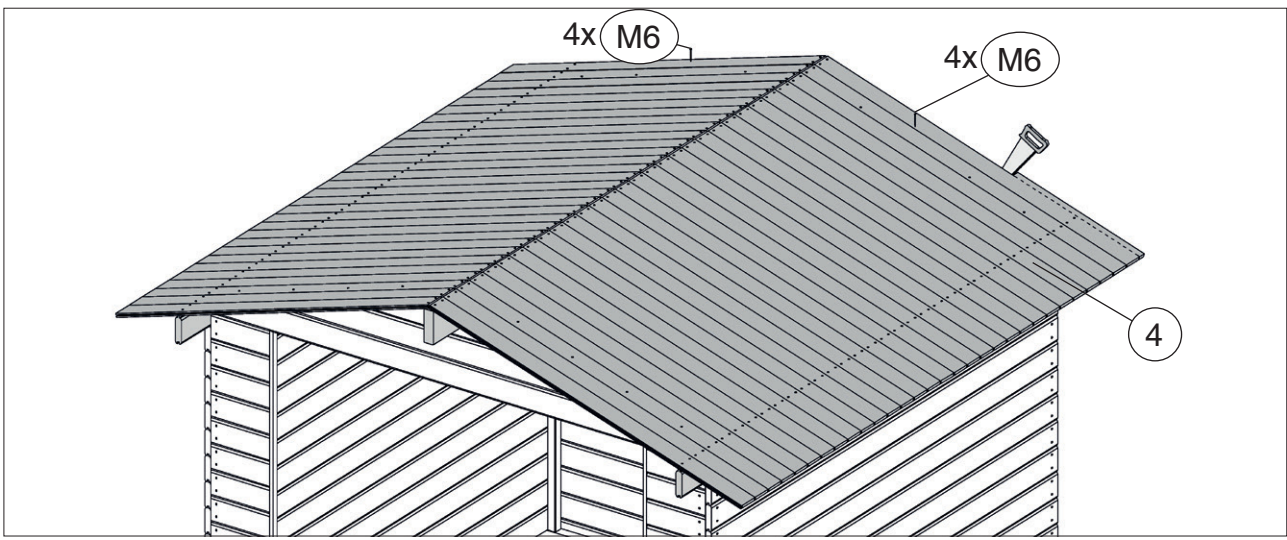
| | |
|---|-------------|
|  | M6 2,2 x 55 |
| | |



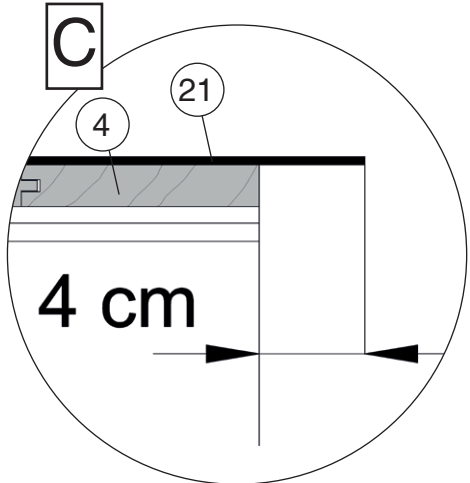
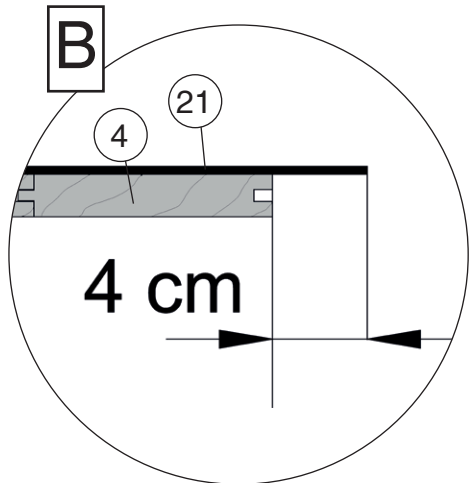
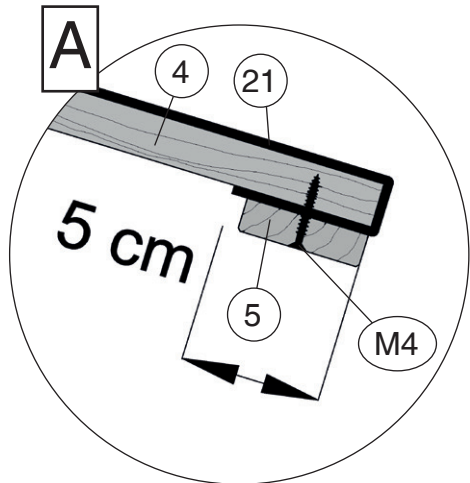
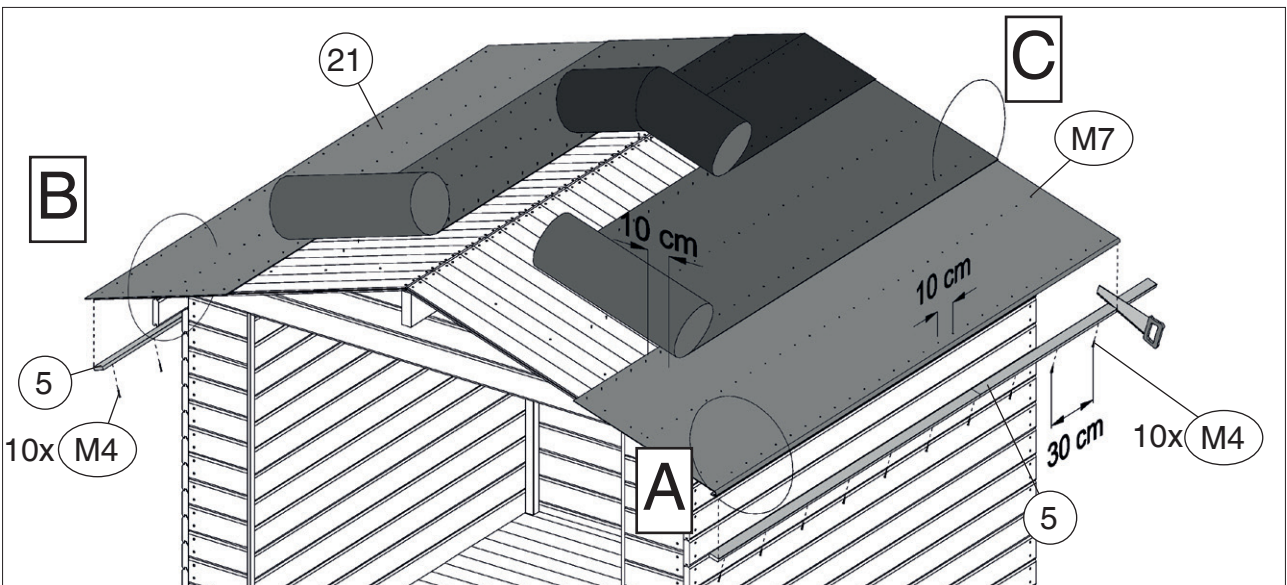
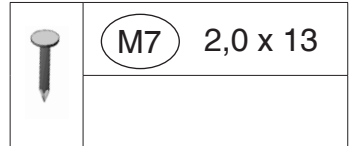
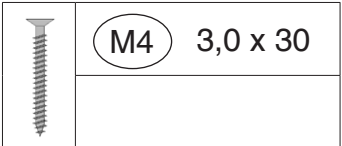
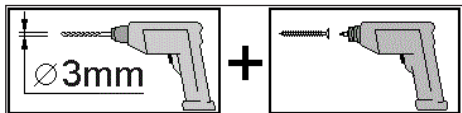
10




11

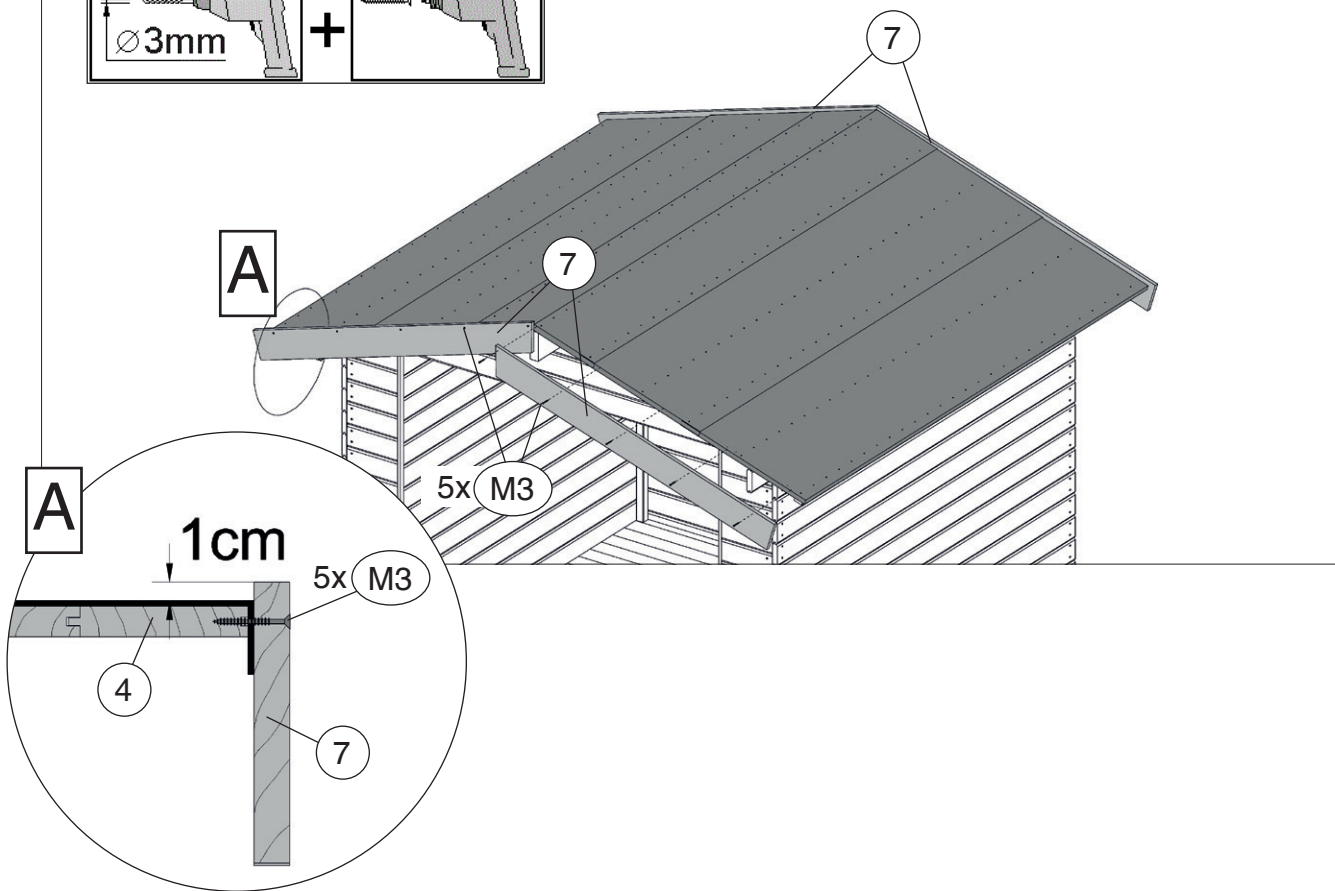
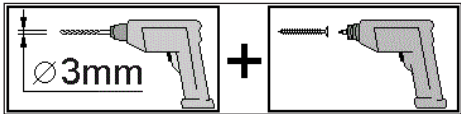


12

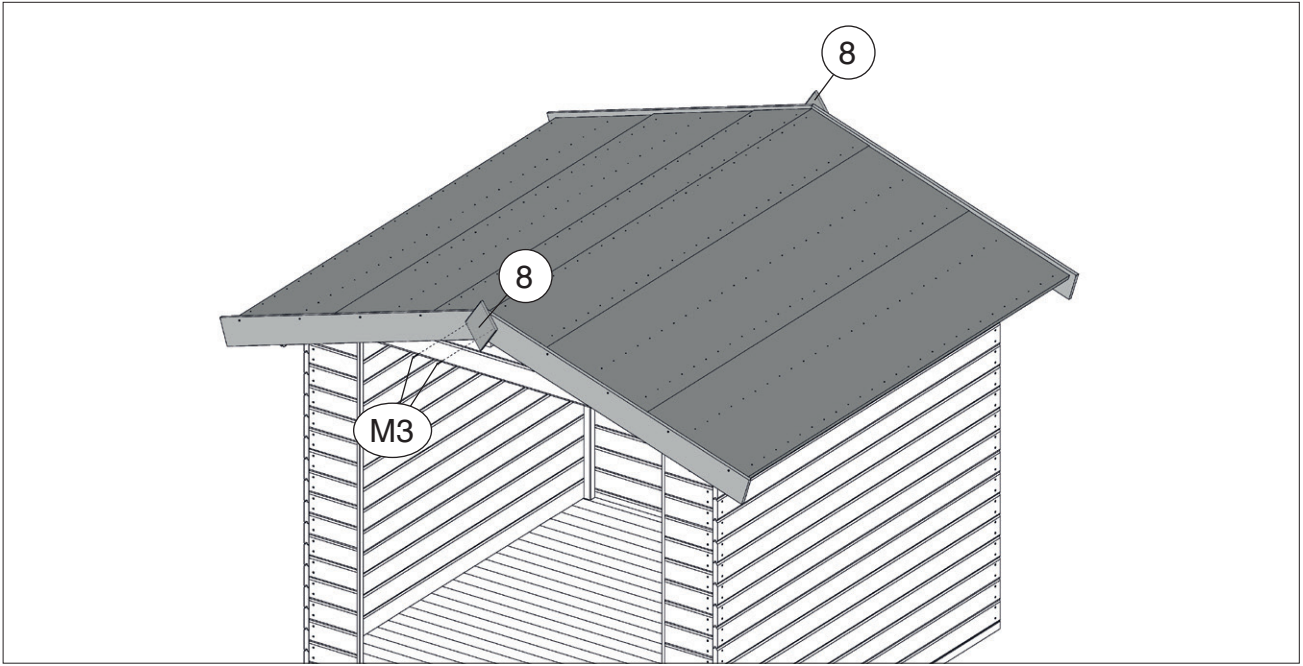


13

| | |
|--|-------------|
|  | M3 4,0 x 40 |
|--|-------------|

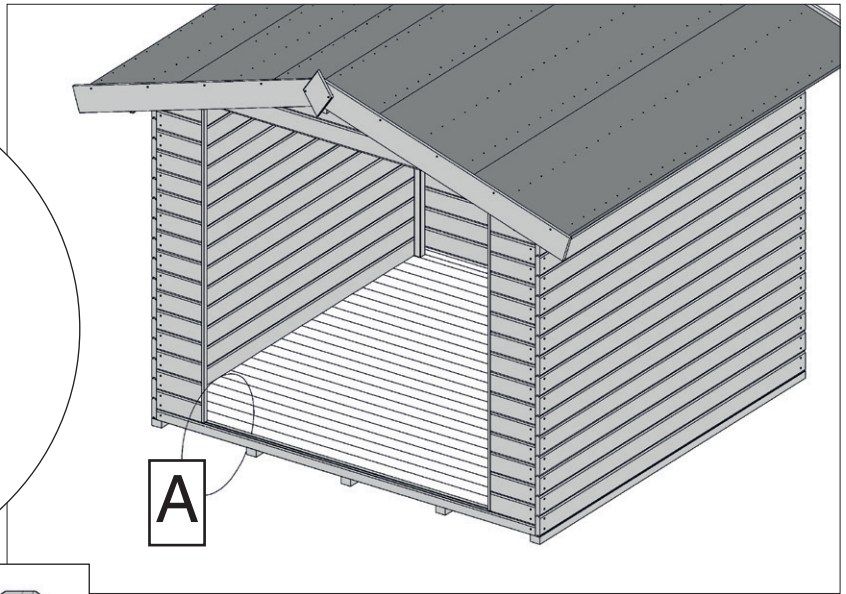
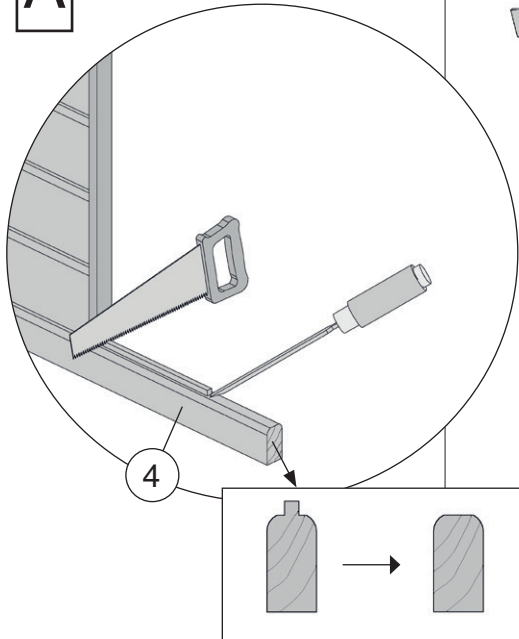


14

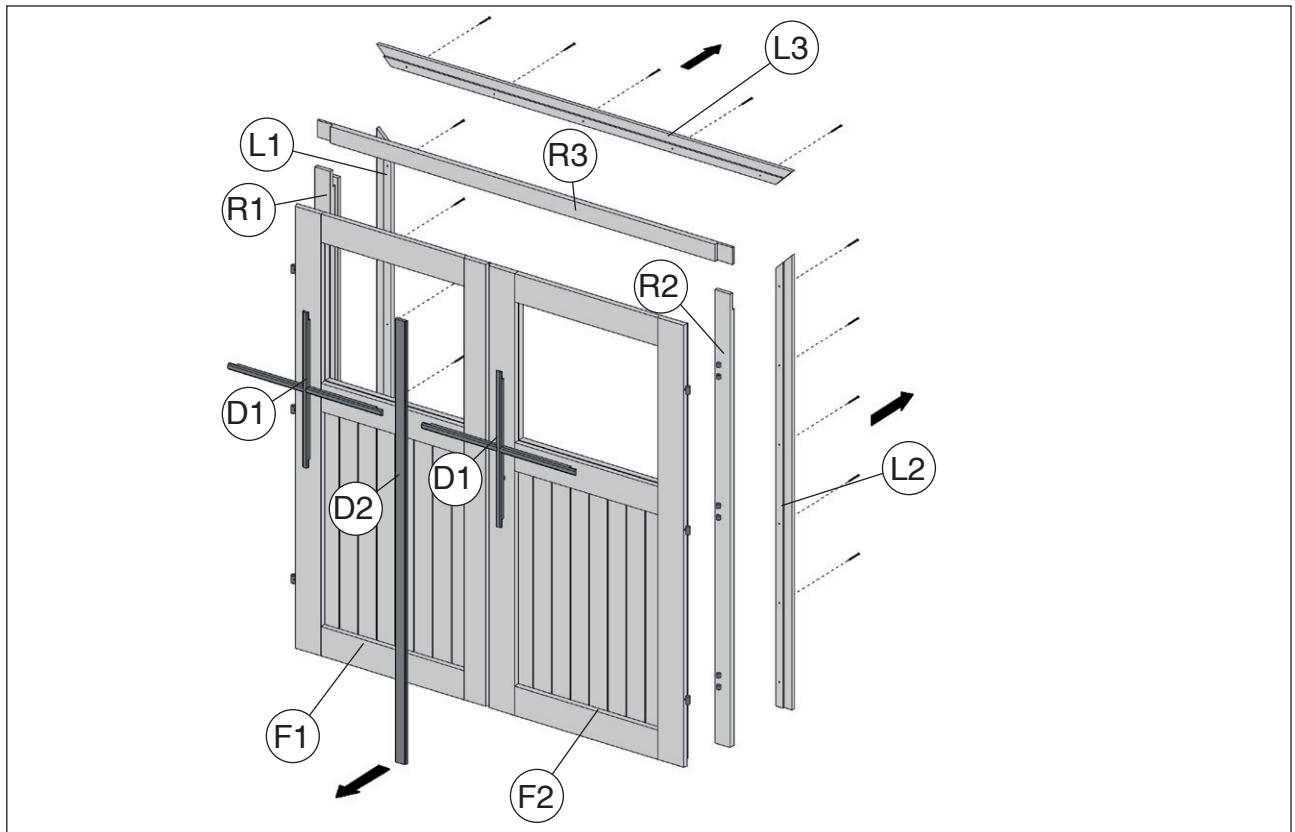


15

A




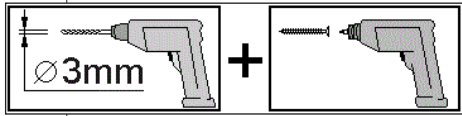
16



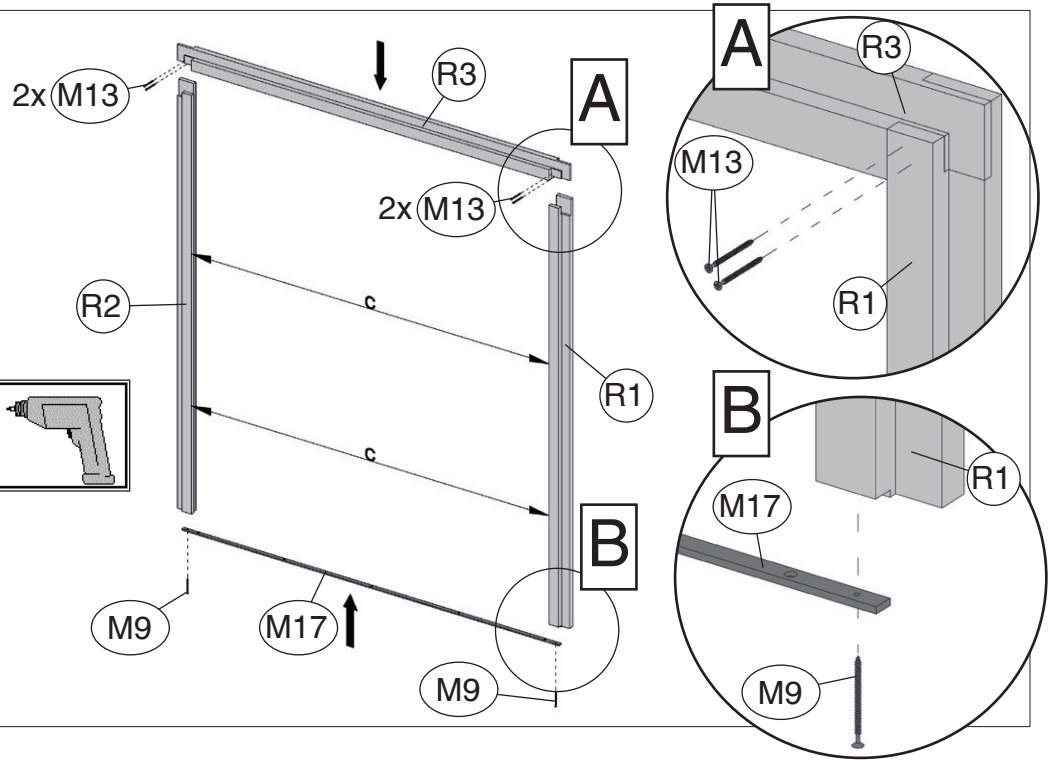
17

| | |
|--|-----|
| | M17 |
| | |

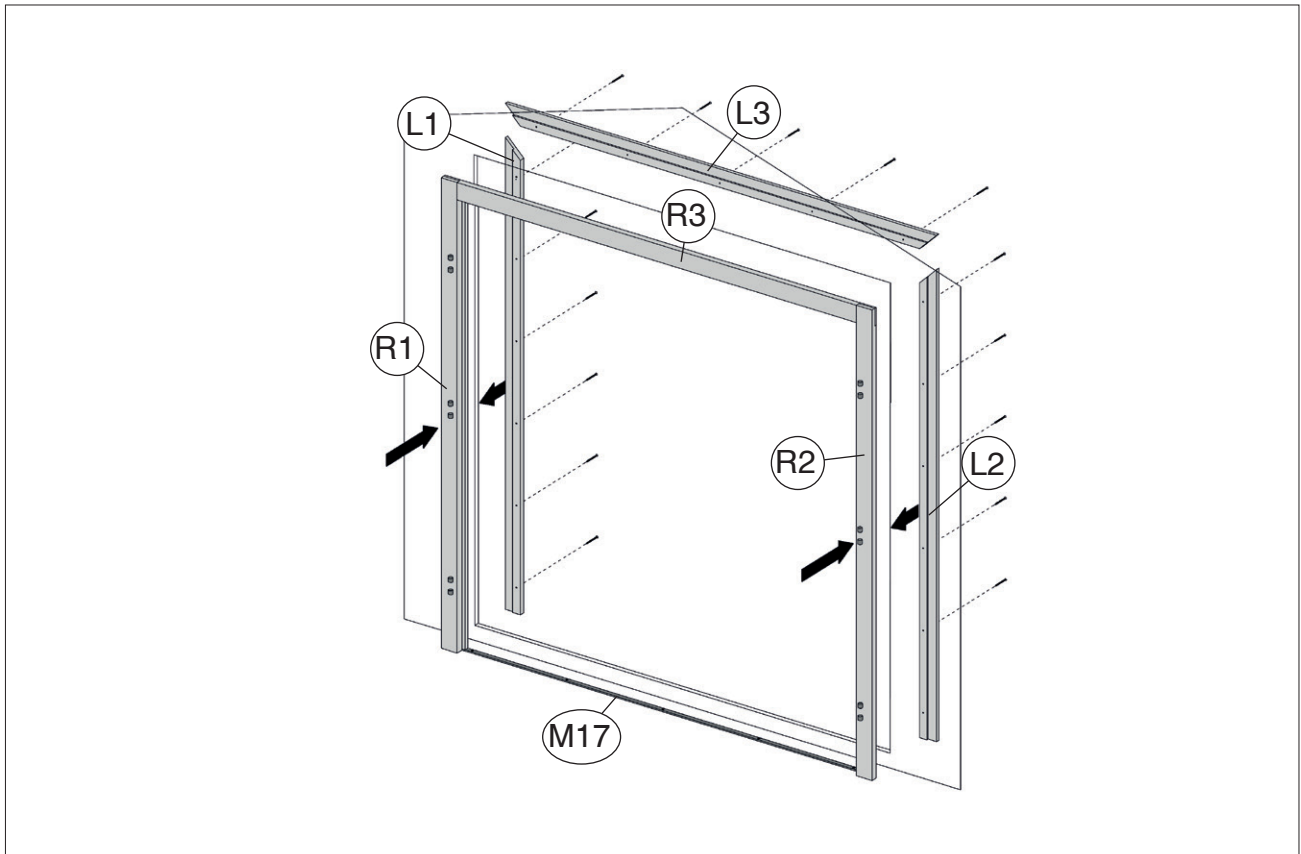
| | |
|---|--------------|
|  | M9 4,0 x 60 |
| | M13 4,0 x 40 |



C=C

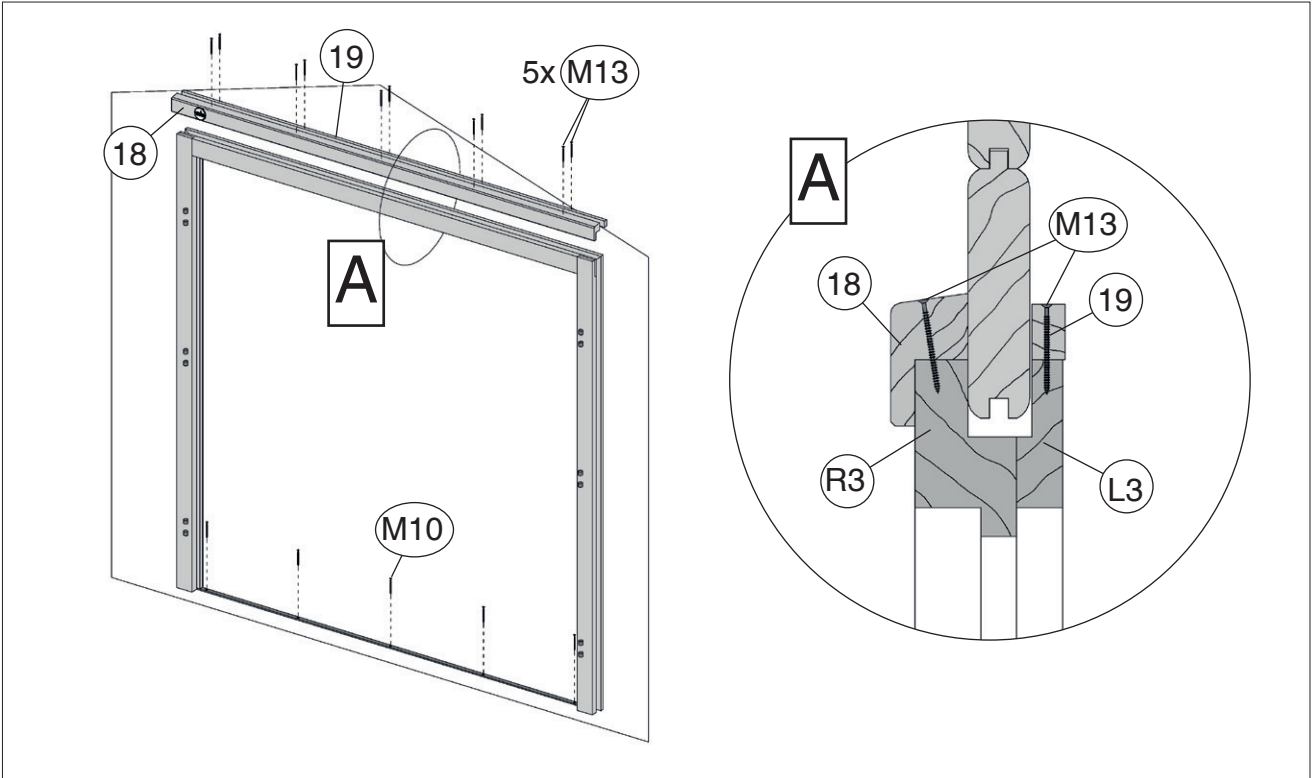


18

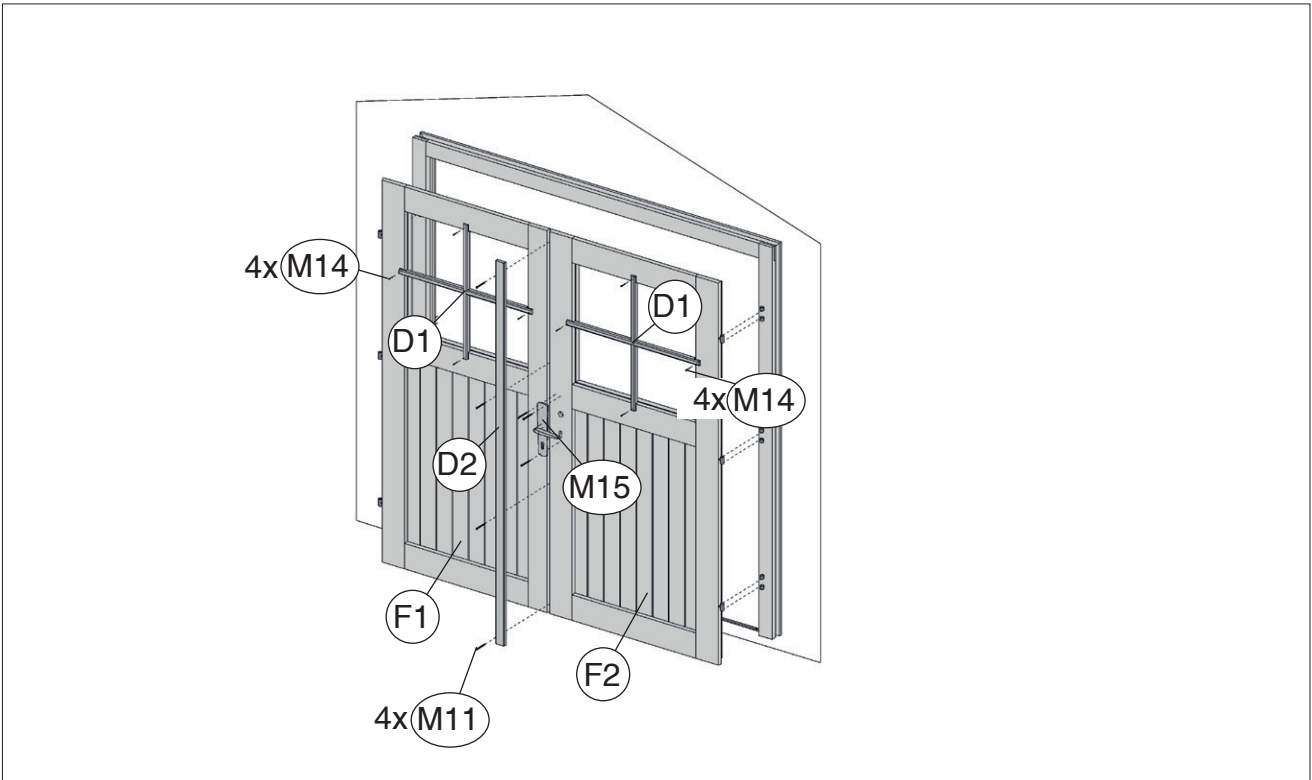
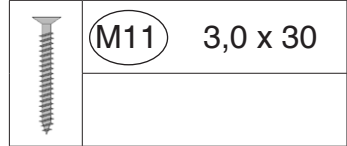


19

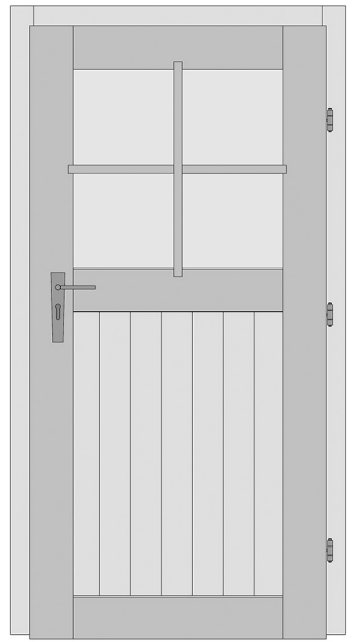
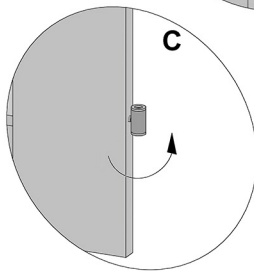
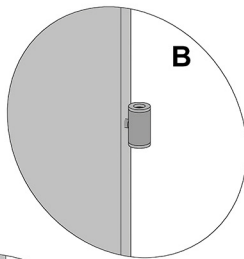
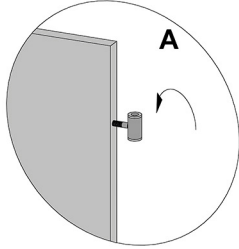
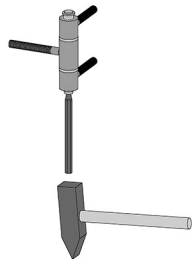
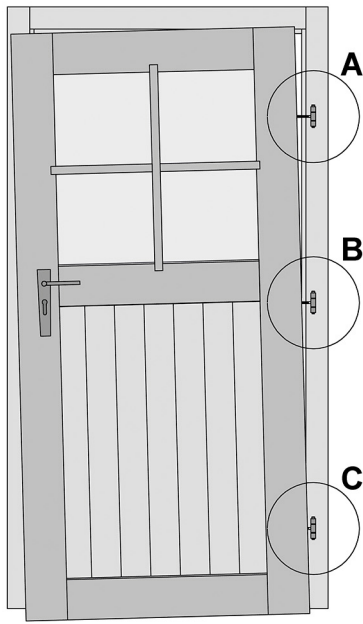
| | | |
|---|-----|----------|
|  | M10 | 3,5 x 35 |
|  | M13 | 4,0 x 40 |



20.1

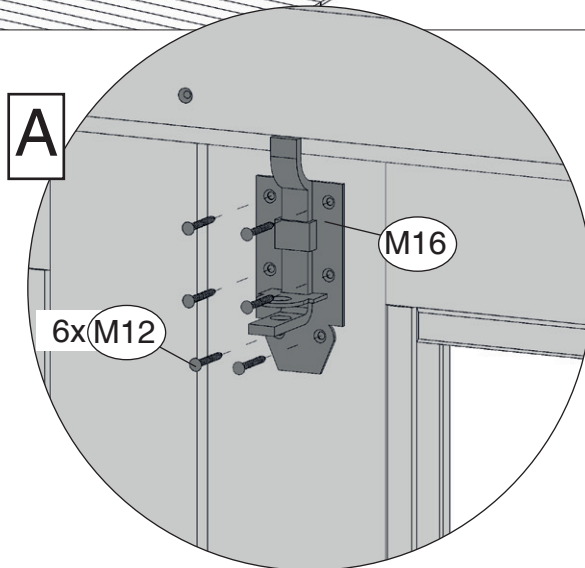
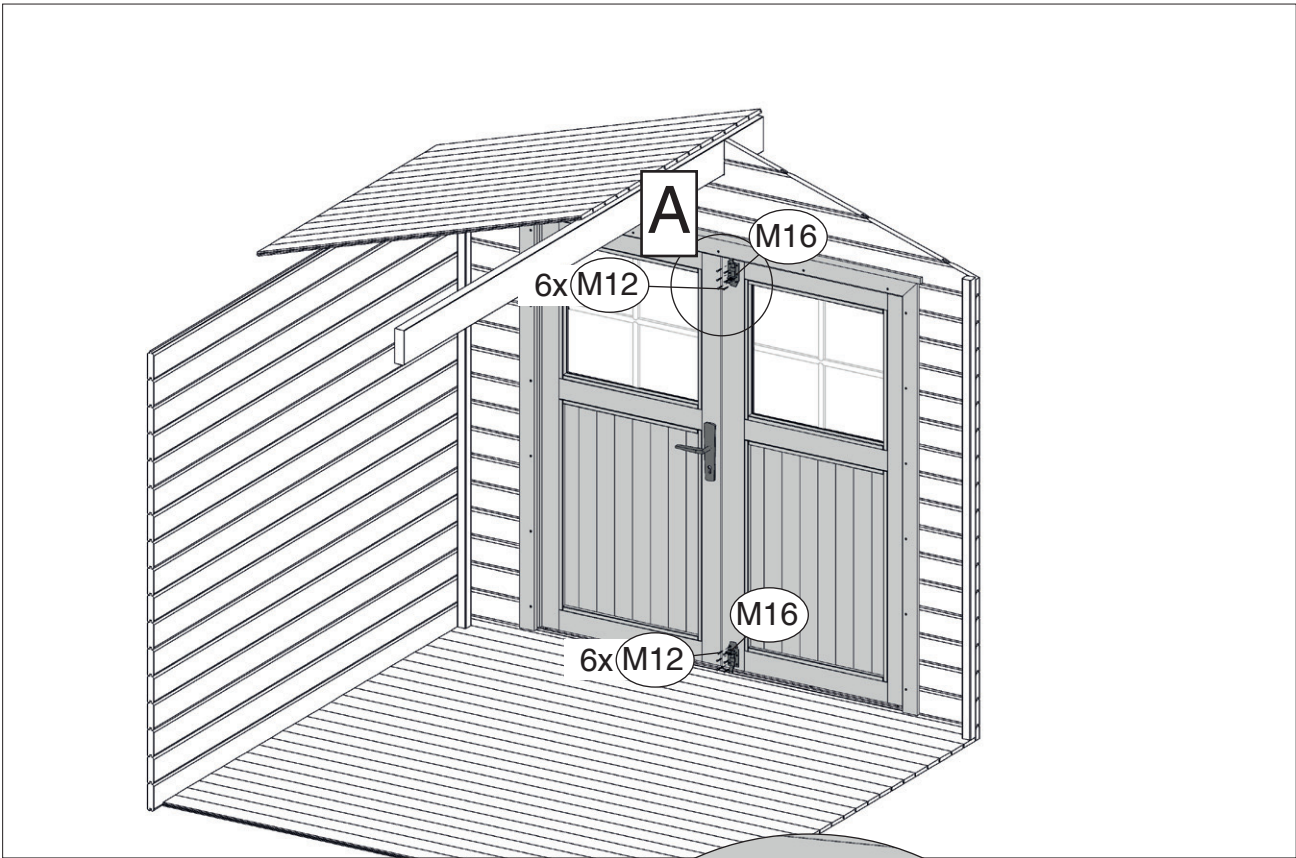


20.2



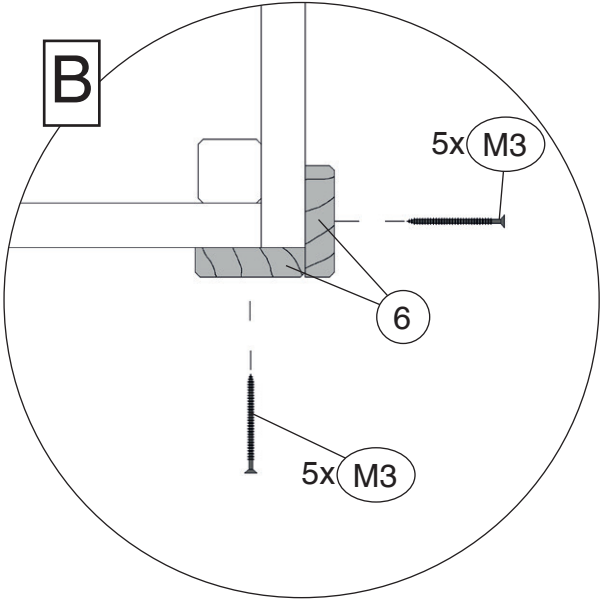
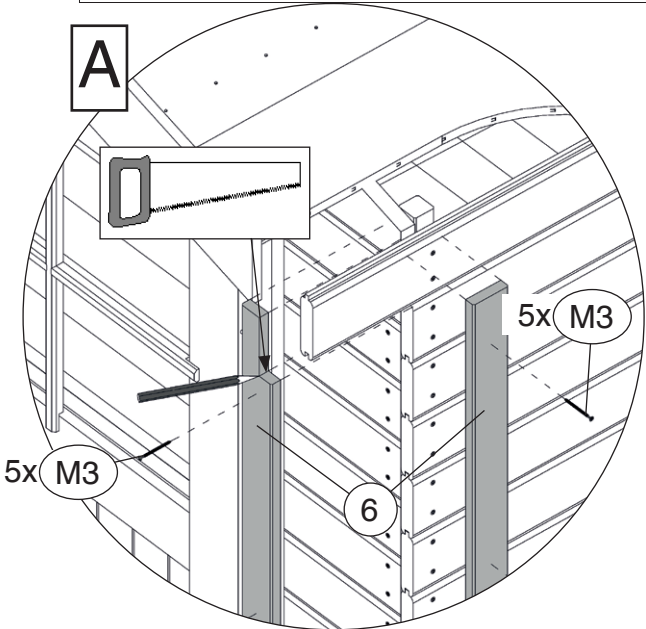
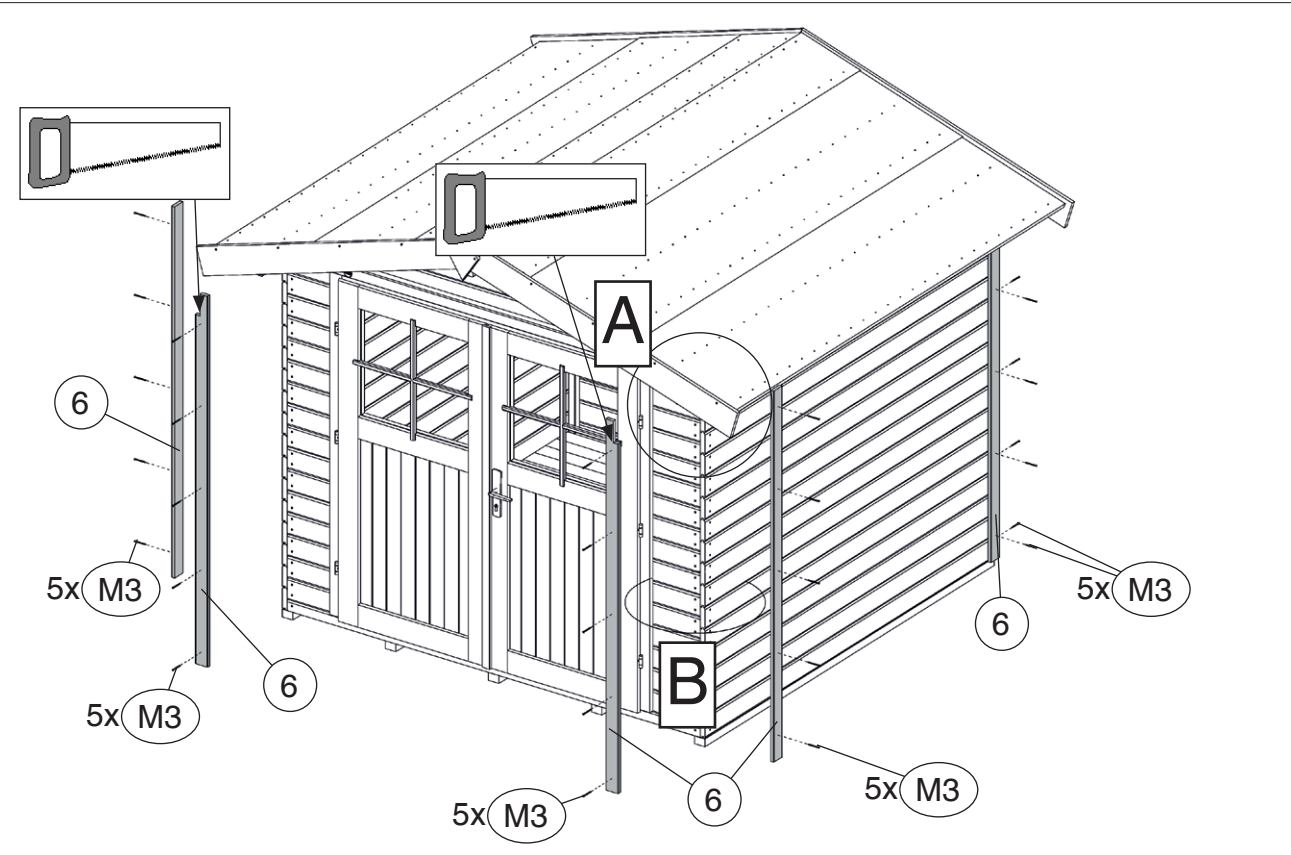
21

| | | | |
|---|-----|---|--------------|
|  | M16 |  | M12 3,5 x 16 |
|---|-----|---|--------------|



22

| | | |
|---|----|----------|
|  | M3 | 4,0 x 40 |
| | | |



www.weka-holzbau.com



WEKA Holzbau GmbH

Johannesstr. 16, 17034 Neubrandenburg

Tel.: +49 (0)395 42908-0

Fax: +49 (0)395 42908-83

Mail: info@weka-holzbau.com

Web: www.weka-holzbau.com

MA Art.-Nr.: 800.0286.1776