

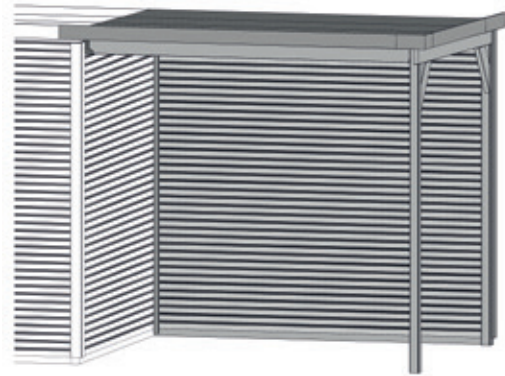


www.weka-holzbau.com

## Seitlicher Dachanbau



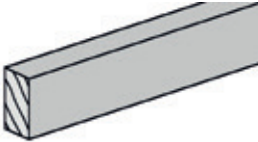

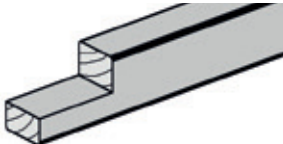
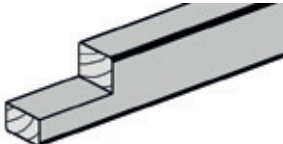
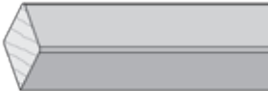
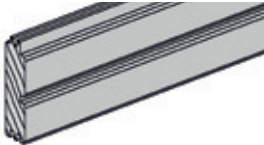
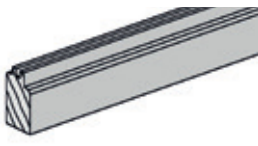
413.0225.60001  
413.0230.60001

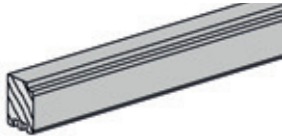
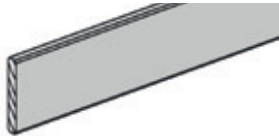
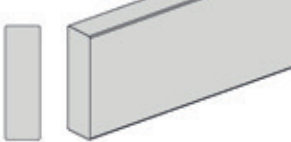
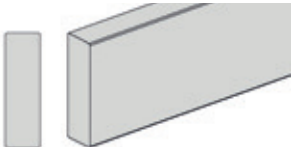
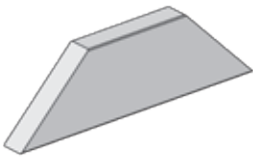
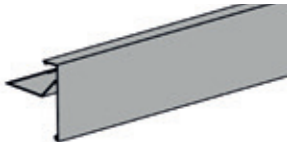




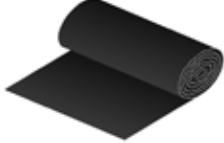
413.0225.60002  
413.0230.60002











## Montage-, Bedienungs- und Wartungsanleitung



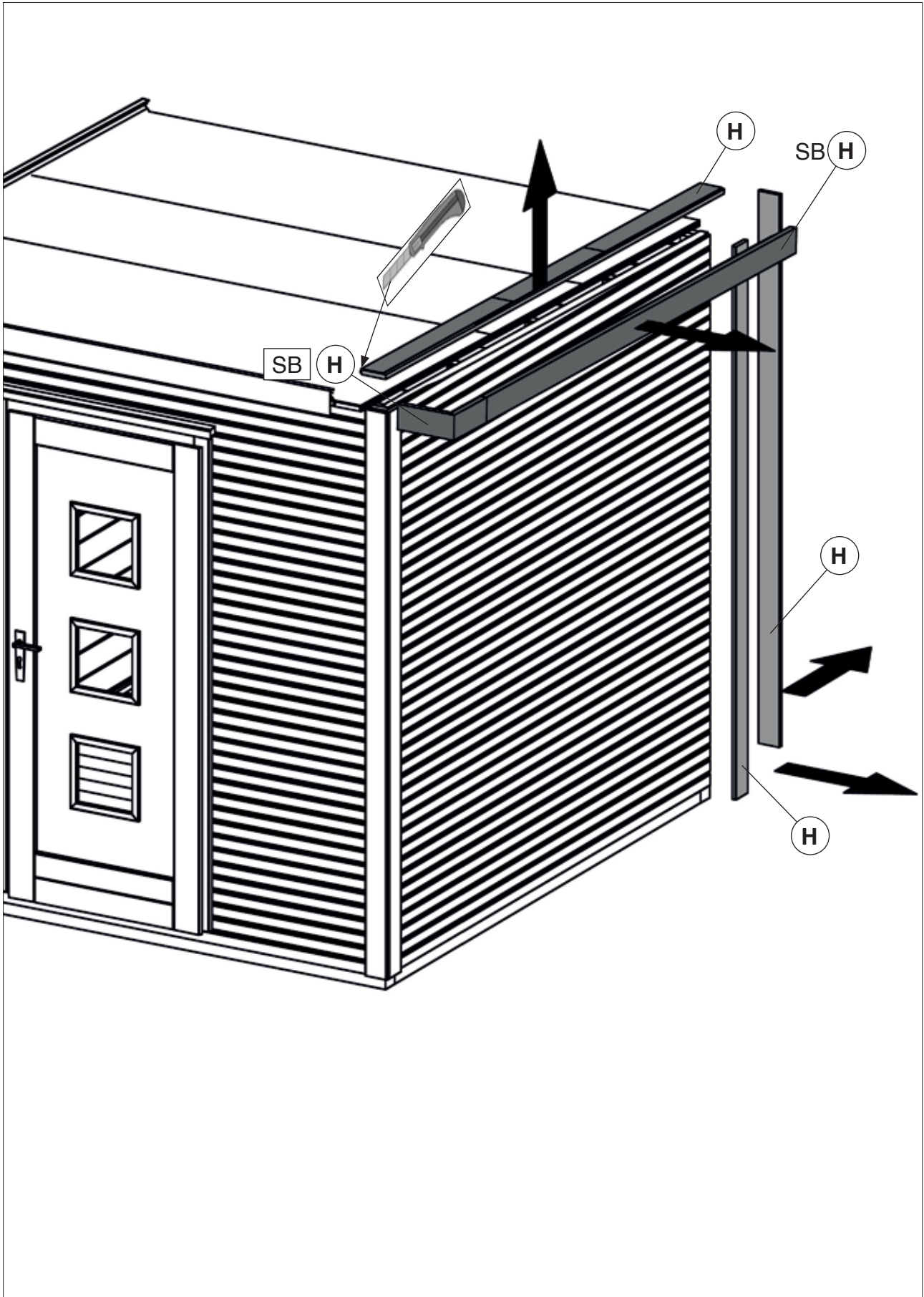
| Pos | Bild  | Abmessung<br>( mm )            | Anzahl ( Stück ) |                |                |                |
|-----|---|--------------------------------|------------------|----------------|----------------|----------------|
|     |   |                                | 413.0225.60001   | 413.0230.60001 | 413.0225.60002 | 413.0230.60002 |
| ①   | G100.02.0063<br>G100.02.0064<br>       | 50/33/1470<br>50/33/2950       | 1<br>-           | 1<br>-         | -<br>1         | -<br>1         |
| ②   | R002.0087.2560<br>R002.0087.3080<br>   | 18,5/121/2560<br>18,5/121/3080 | 14<br>-          | -<br>14        | 27<br>-        | -<br>27        |
| ③   | G100.14.0054<br>                      | 80/80/2308                     | 1                | 1              | 1              | 1              |
| ④   | G100.14.0059<br>                     | 80/80/2362                     | 1                | 1              | 1              | 1              |
| ⑤   | R002.0225.2290<br>                   | 40/40/2290                     | 1                | 1              | 1              | 1              |
| ⑥   | R002.0057.1470<br>R002.0057.2955<br> | 45/121/1470<br>45/121/2955     | 19<br>-          | 19<br>-        | -<br>19        | -<br>19        |
| ⑦   | G413.01.0025<br>G413.01.0007<br>     | 45/63/1470<br>45/63/2955       | 1<br>-           | 1<br>-         | -<br>1         | -<br>1         |


| Pos | Bild  | Abmessung<br>( mm )          | Anzahl ( Stück ) |                |                |                |
|-----|---|------------------------------|------------------|----------------|----------------|----------------|
|     |   |                              | 413.0225.60001   | 413.0230.60001 | 413.0225.60002 | 413.0230.60002 |
| 8   | G413.01.0024<br>G413.01.0020<br>       | 45/53/1470<br>45/53/2955     | 1<br>-           | 1<br>-         | -<br>1         | -<br>1         |
| 9   | R002.0540.2294<br>                     | 18,5/96/2294                 | 1                | 1              | 1              | 1              |
| 10  | R002.0350.1425<br>R002.0350.2908<br>  | 45/146/1425<br>45/146/2908   | 4<br>-           | 4<br>-         | -<br>4         | -<br>4         |
| 11  | R002.0350.2410<br>R002.0350.2908<br> | 45/146/2410<br>45/146/2908   | 1<br>-           | -<br>1         | 1<br>-         | -<br>1         |
| 12  | G100.04.0083<br>                     | 45/146/500                   | 2                | 2              | 2              | 2              |
| 13  | K413.1000.0010<br>K413.1000.0013<br> | 100/100/1500<br>100/100/2950 | 1<br>-           | 1<br>-         | -<br>1         | -<br>1         |
| 14  | K413.1000.0003<br>                   |                              | 1                | 1              | 1              | 1              |

| Pos | Bild  | Abmessung<br>( mm ) | Anzahl ( Stück ) |                |                |                |
|-----|---|---------------------|------------------|----------------|----------------|----------------|
|     |   |                     | 413.0225.60001   | 413.0230.60001 | 413.0225.60002 | 413.0230.60002 |
| 15  | K413.1000.0028<br> | 0/0/2000            | 1                | 1              | 2              | 2              |
| 16  | 100.1040.05.00<br> | 5 m <sup>2</sup>    | 1                | 2              | 2              | 2              |

| Pos | Bild  | Abmessung<br>( mm ) | Anzahl<br>( Stück ) |
|-----|---|---------------------|---------------------|
| M1  | K001.8050.0004<br>   | 5,0 x 80            | 110                 |
| M2  | K002.2550.0004<br>   | 5,0 x 25            | 220                 |
| M3  | K001.3535.0004<br>   | 3,5 x 35            | 30                  |
| M4  | K001.1635.0004<br>   | 3,5 x 16            | 50                  |
| M5  | K010.5022.0001<br>   | 2,2 x 55            | 360                 |
| M6  | K008.1008.0001<br>  | M8 x 100            | 2                   |
| M7  | K008.6008.0001<br> | M8,0 x 60           | 2                   |
| M8  | K020.8400.0011<br> | 1,6 x 16 x 8,4      | 10                  |
| M9  | K024.0800.0001<br> | M8                  | 2                   |
| M10 | K074.4513.0000<br> | 45 x 137            | 8                   |

1



|   |            |
|---|------------|
|  | M10 45x137 |
|   |            |

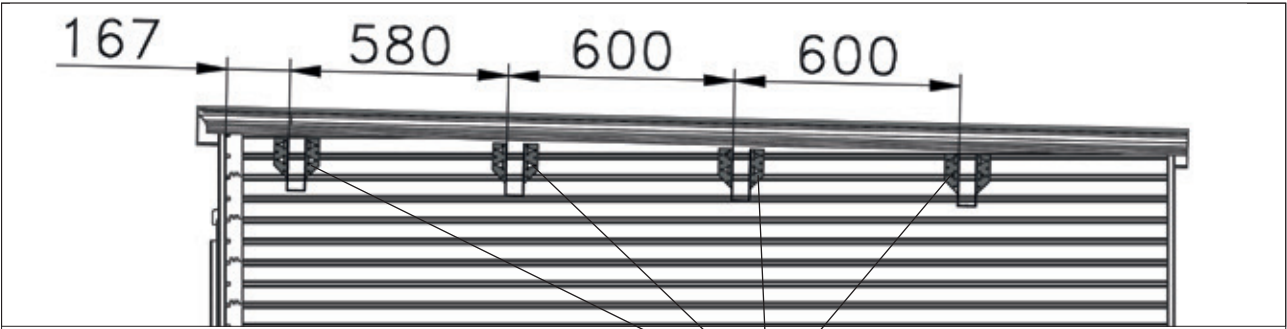


Abb.: 413.0225.60001

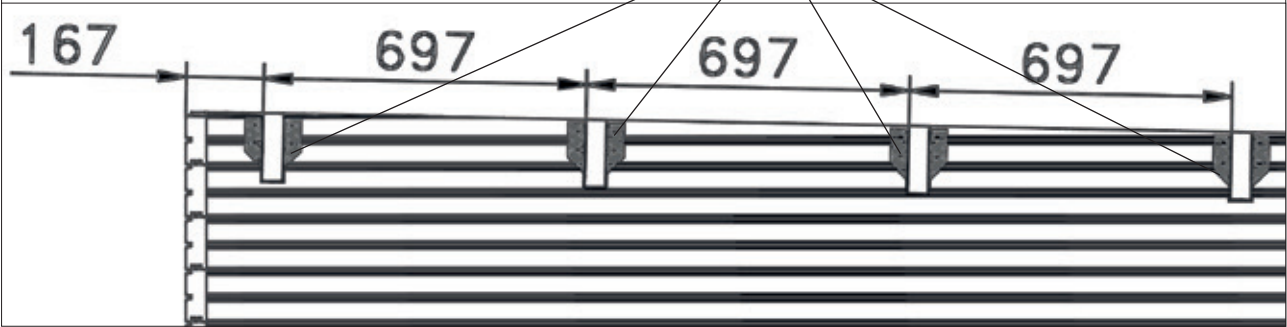


Abb.: 413.0230.60001

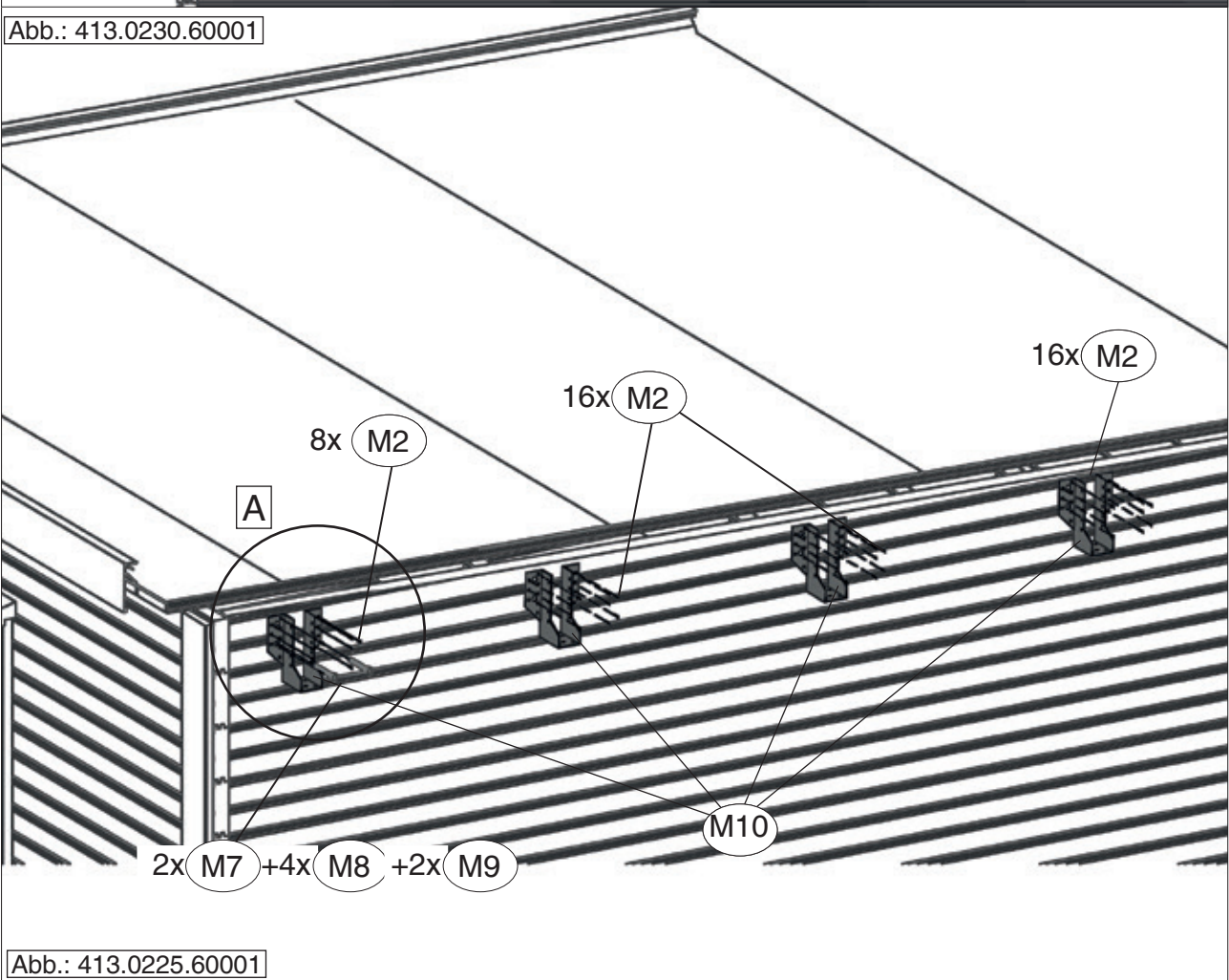







Abb.: 413.0225.60001

# 2.1

|   |   |   |                   |   |   |
|---|---|---|-------------------|---|---|
|  | <b>M2</b> 5,0 x 25  |  | <b>M8</b> 8,4     |  | <b>M10</b> 45x137   |
|   |  |   | <b>M7</b> M8 x 60 |   |  |

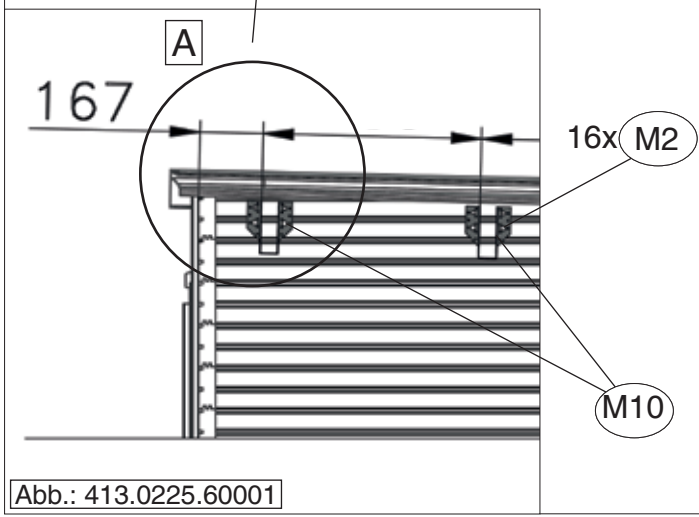
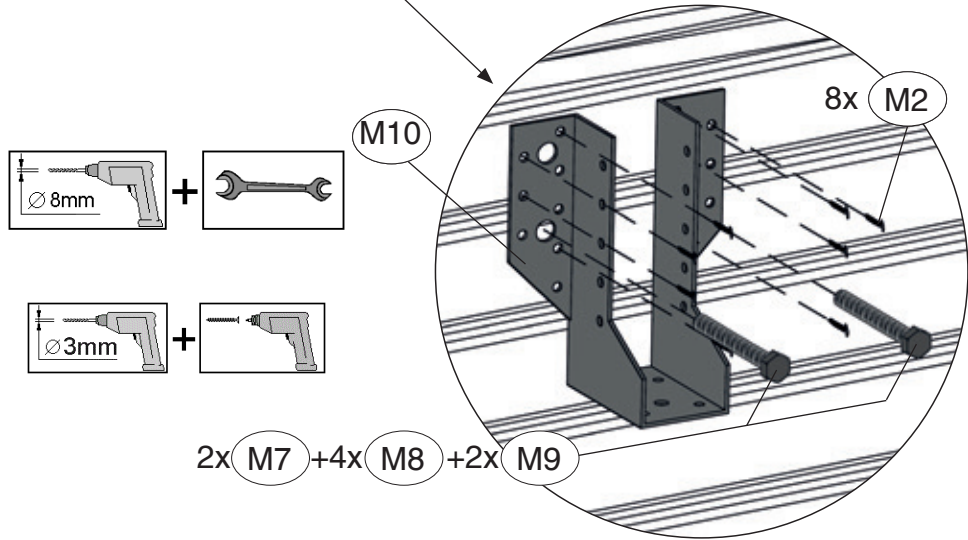
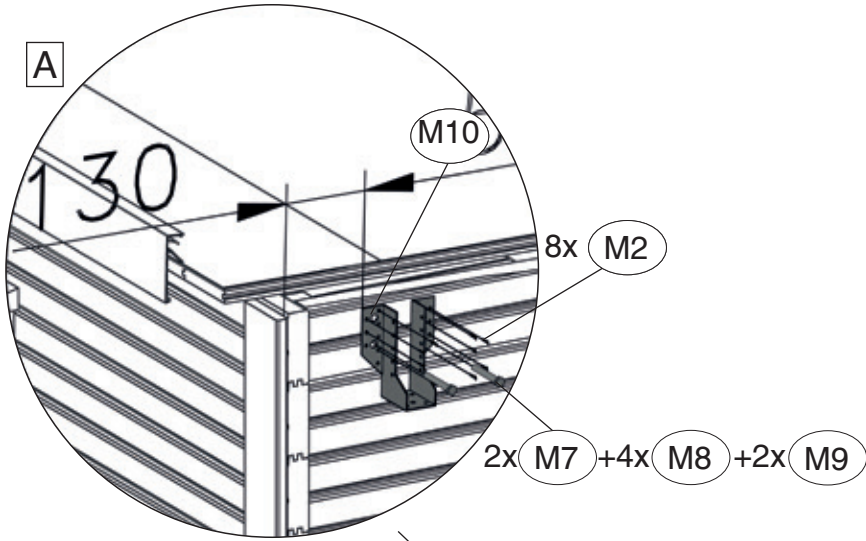


Abb.: 413.0225.60001



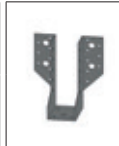
**3**



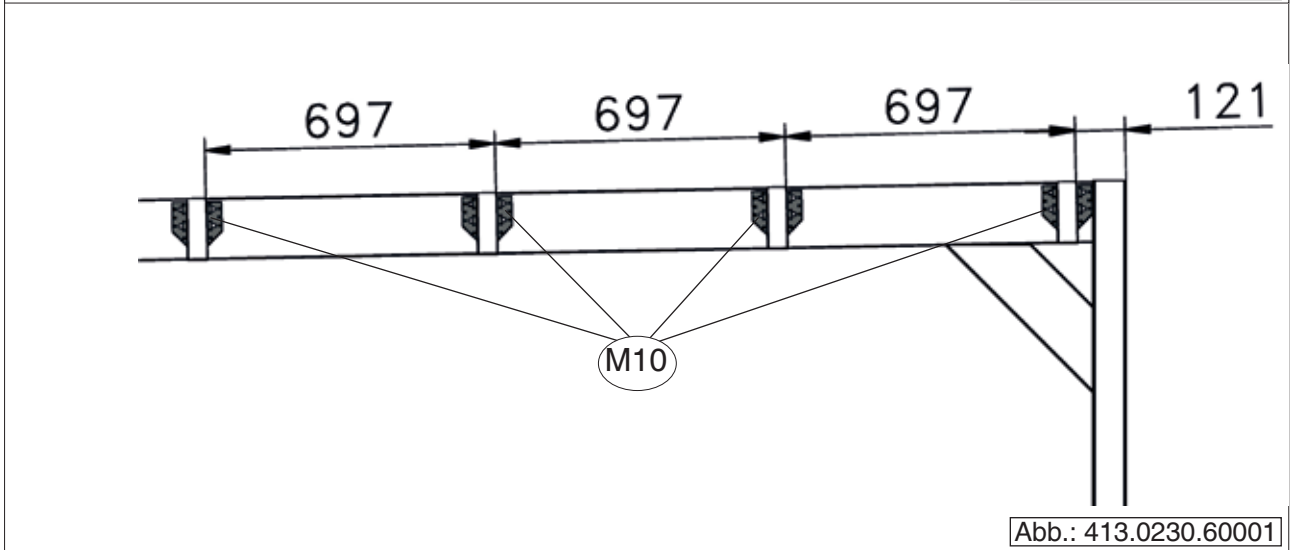
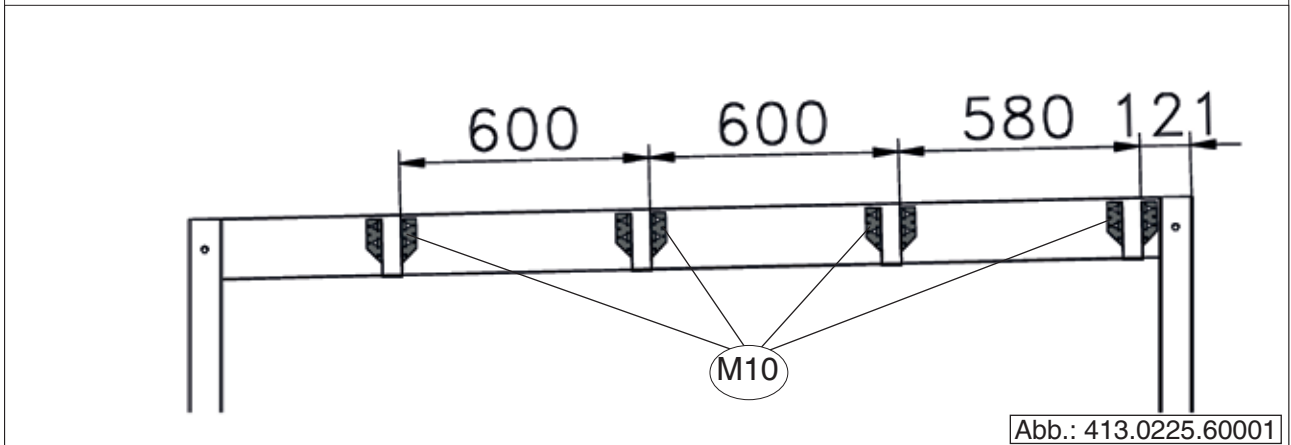
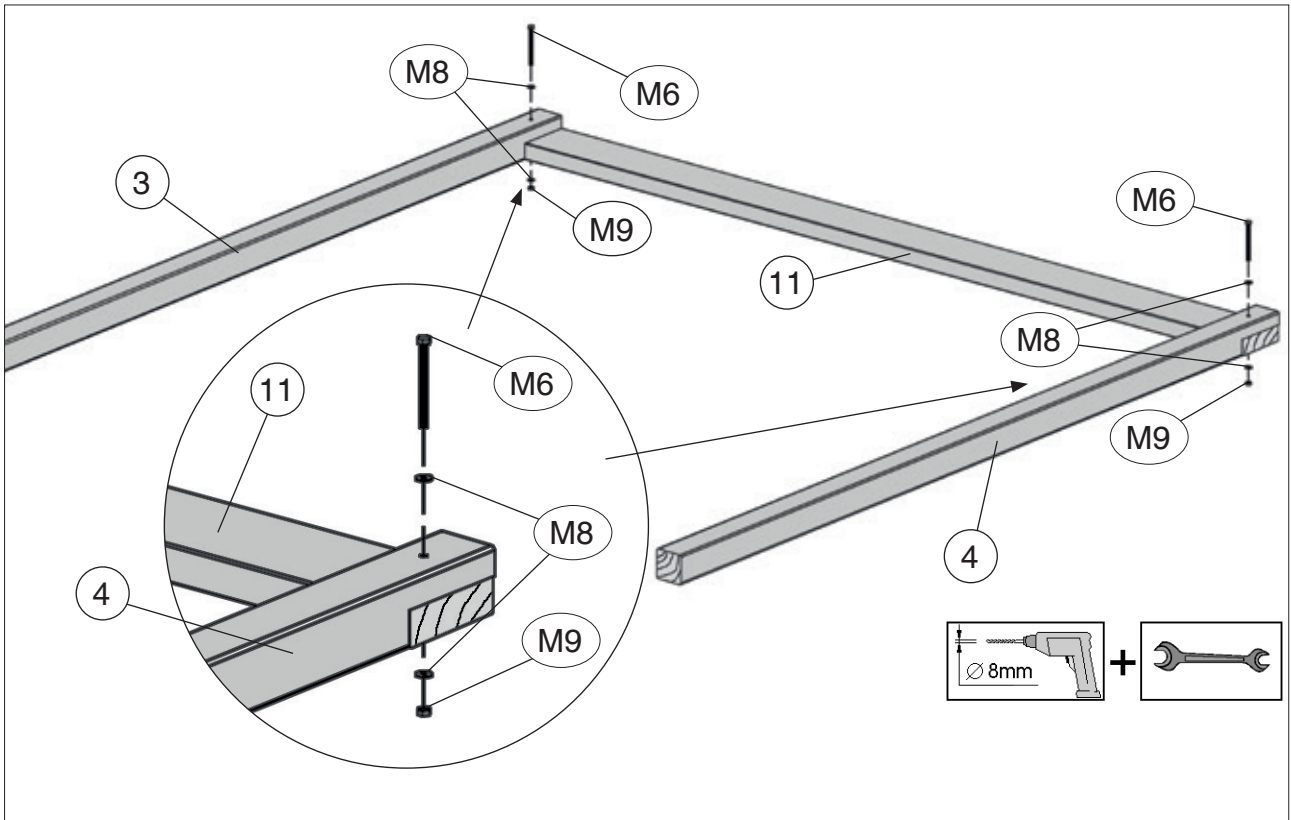
M6 M8 x 100



M8 8,4  
M9 M8

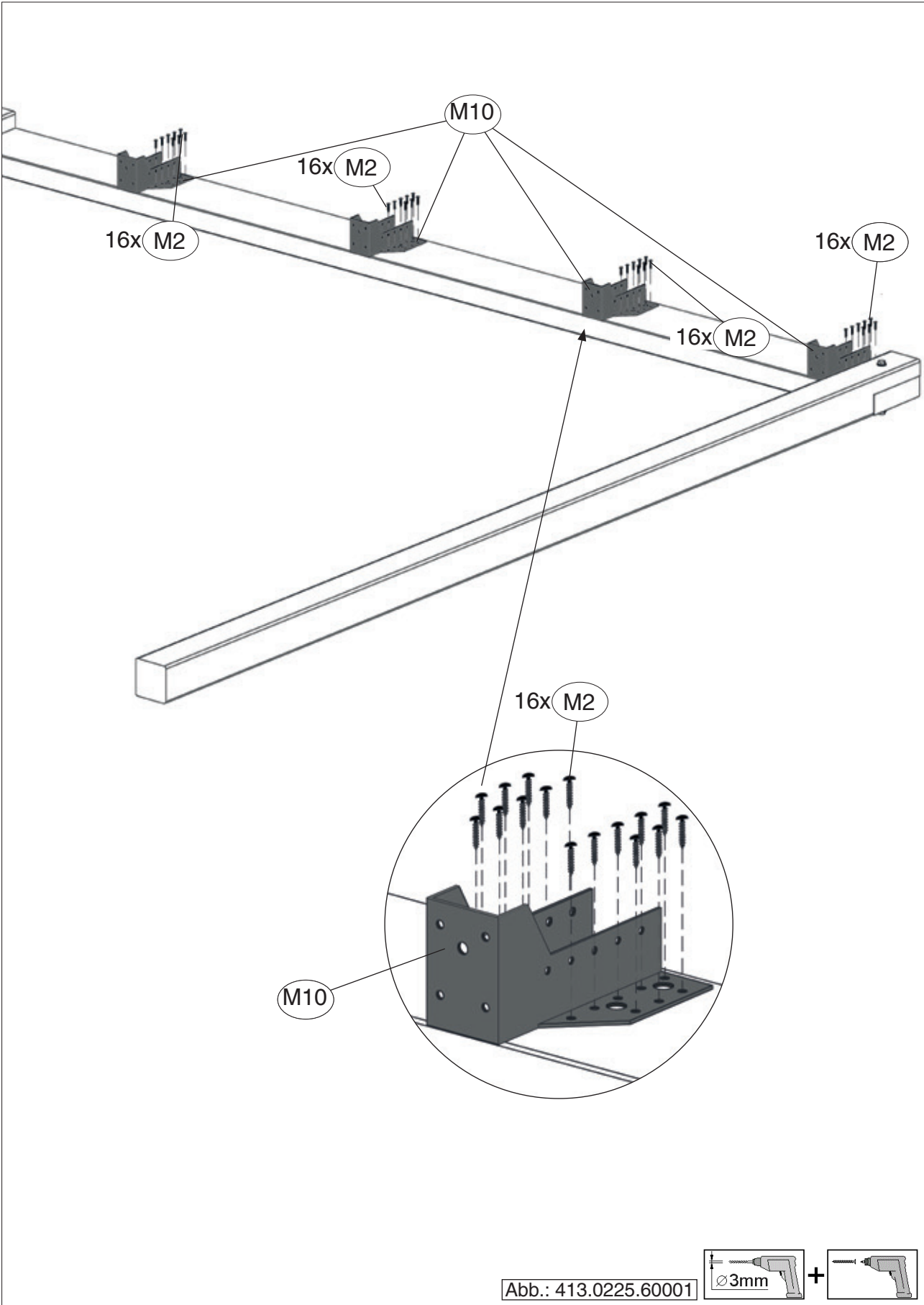


M10 45x137




4

|   |             |
|---|-------------|
|  | M2 5,0 x 25 |
|   |             |



**5**



**M1** 5,0 x 80

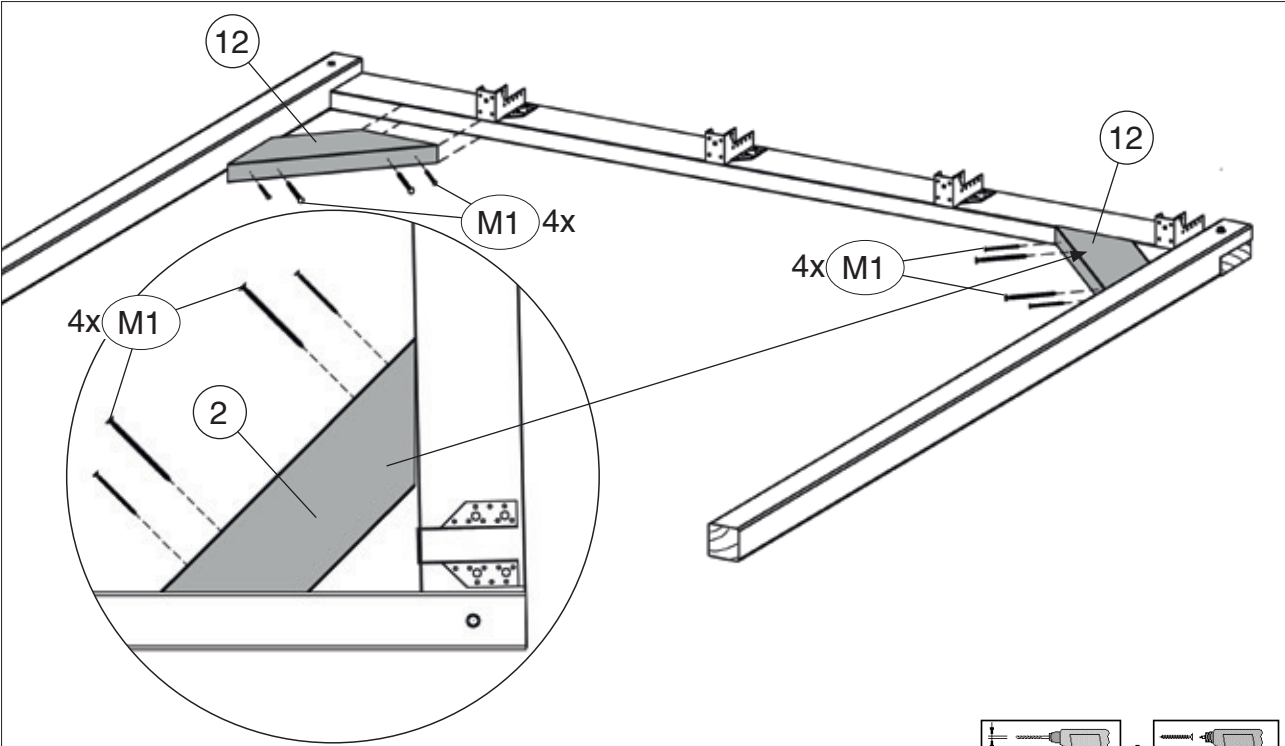
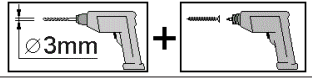



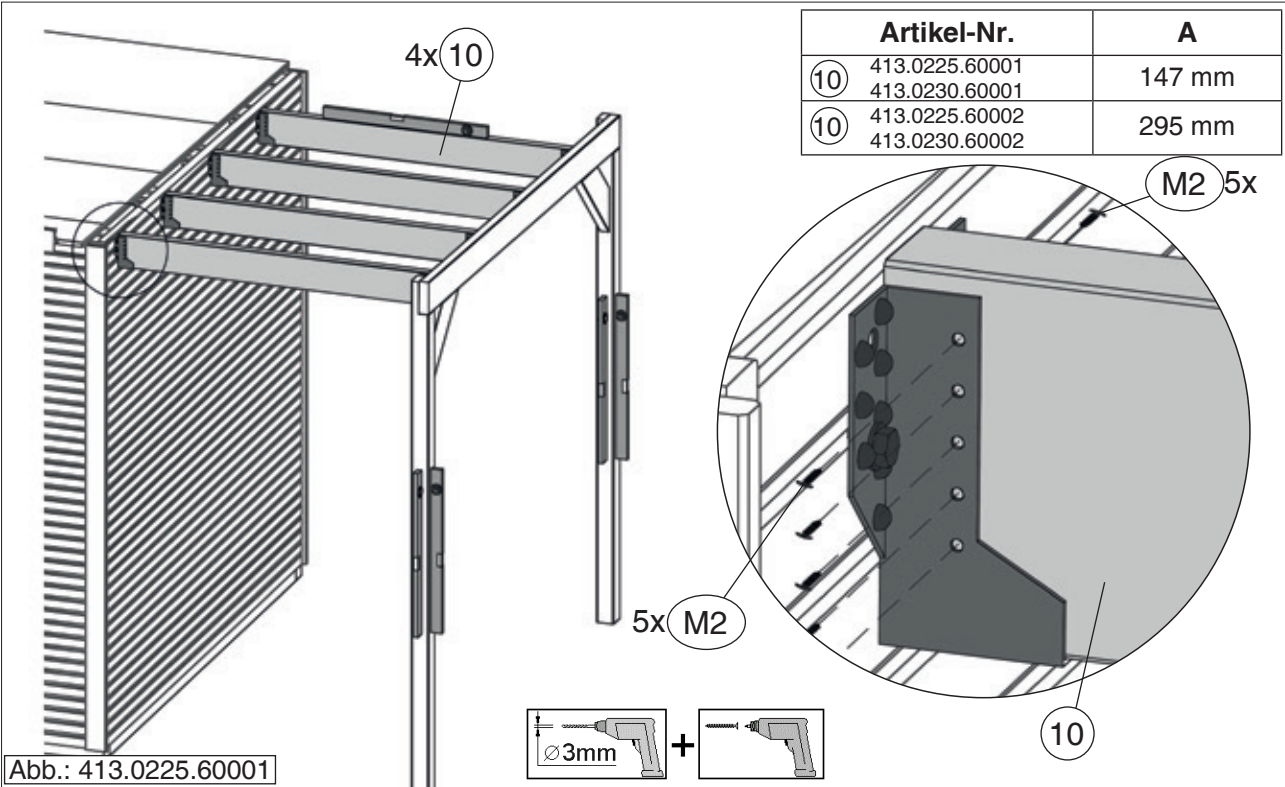
Abb.: 413.0225.60001



**6**

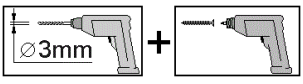


**M2** 5,0 x 20



| Artikel-Nr.      | A      |
|------------------|--------|
| ⑩ 413.0225.60001 | 147 mm |
| ⑩ 413.0230.60001 | 147 mm |
| ⑩ 413.0225.60002 | 295 mm |
| ⑩ 413.0230.60002 | 295 mm |

Abb.: 413.0225.60001



7

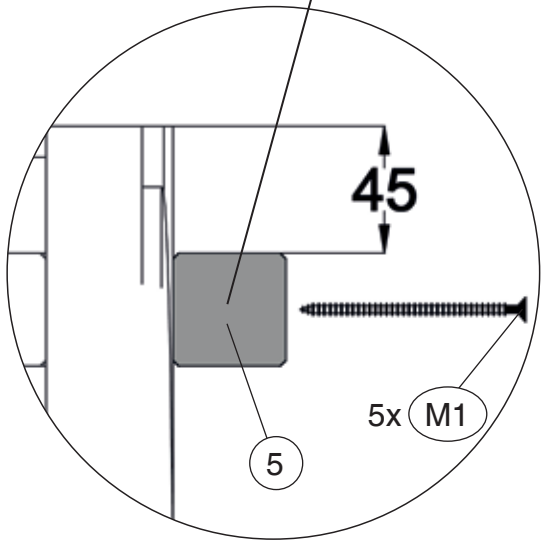
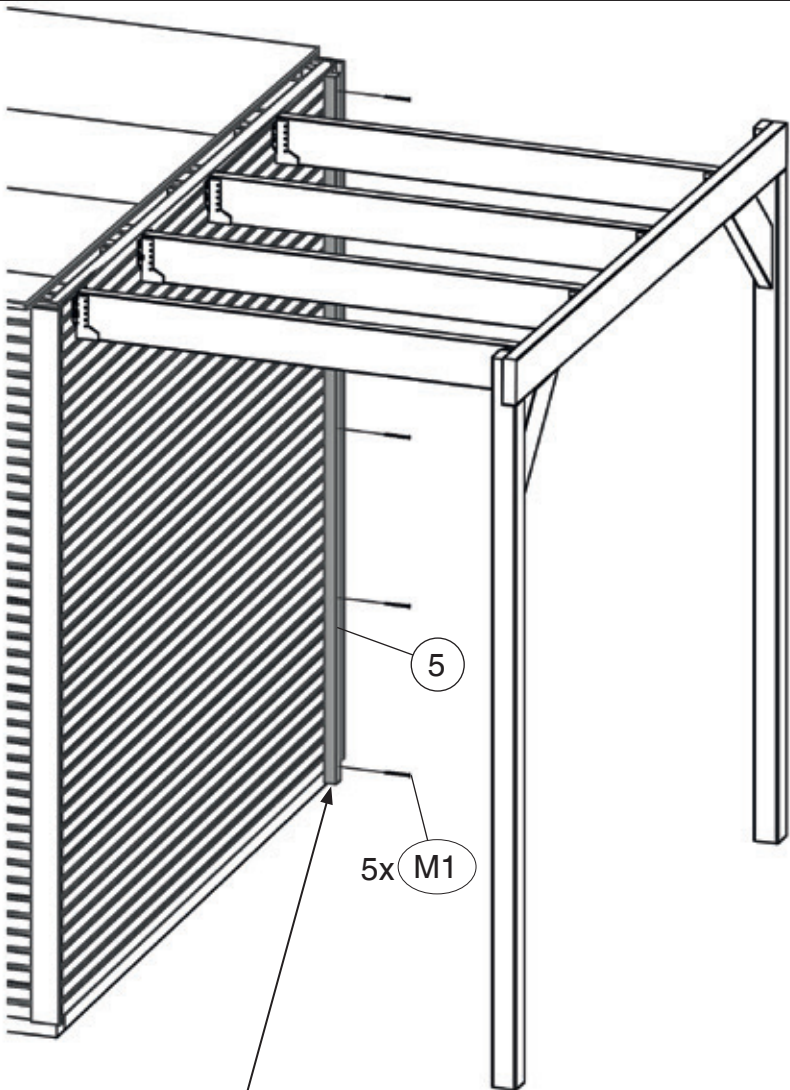
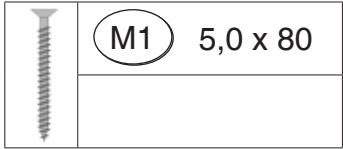
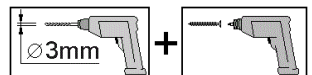


Abb.: 413.0225.60001



8

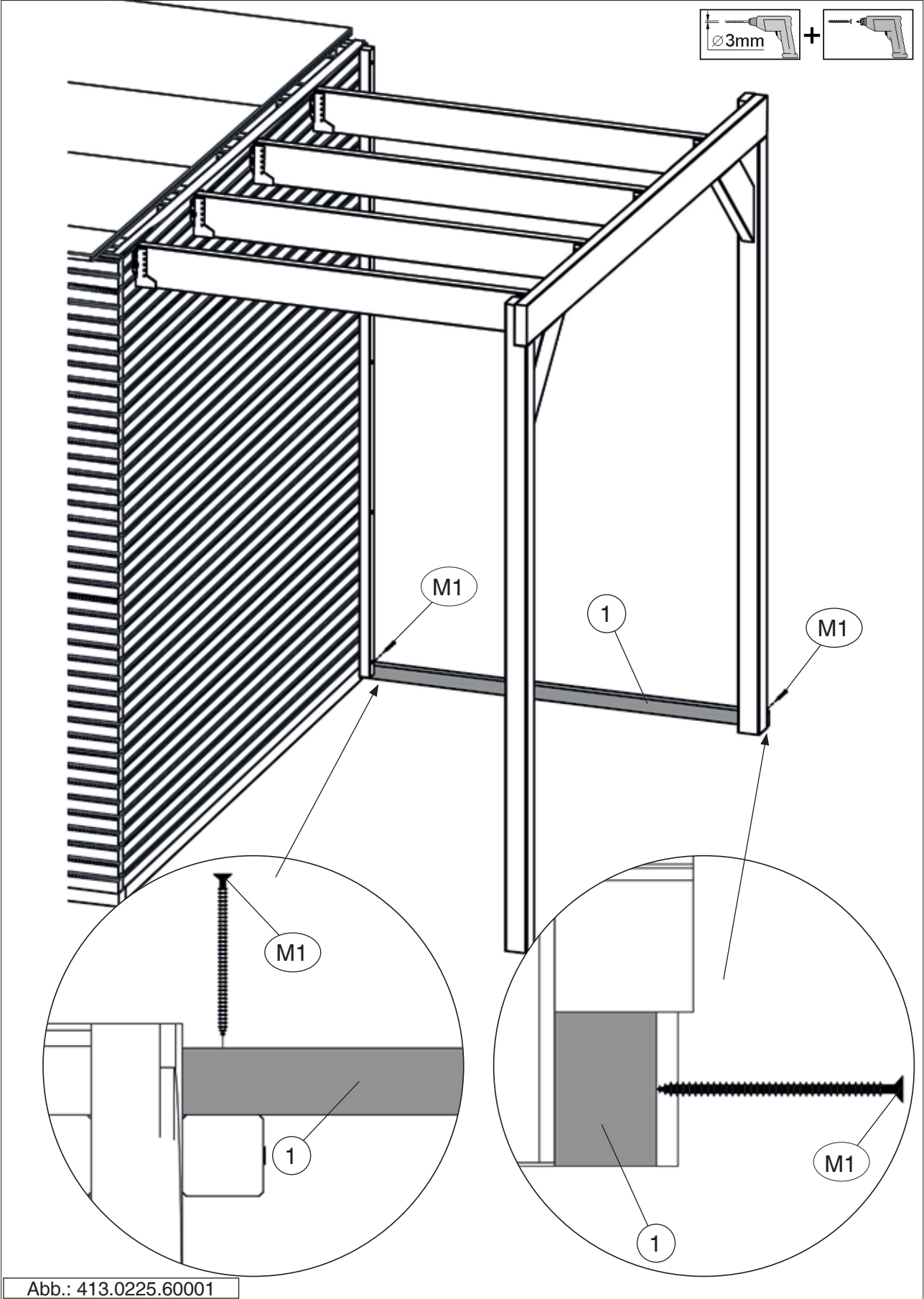
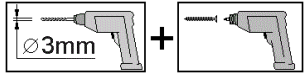
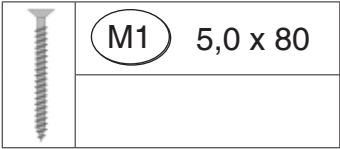


Abb.: 413.0225.60001

9

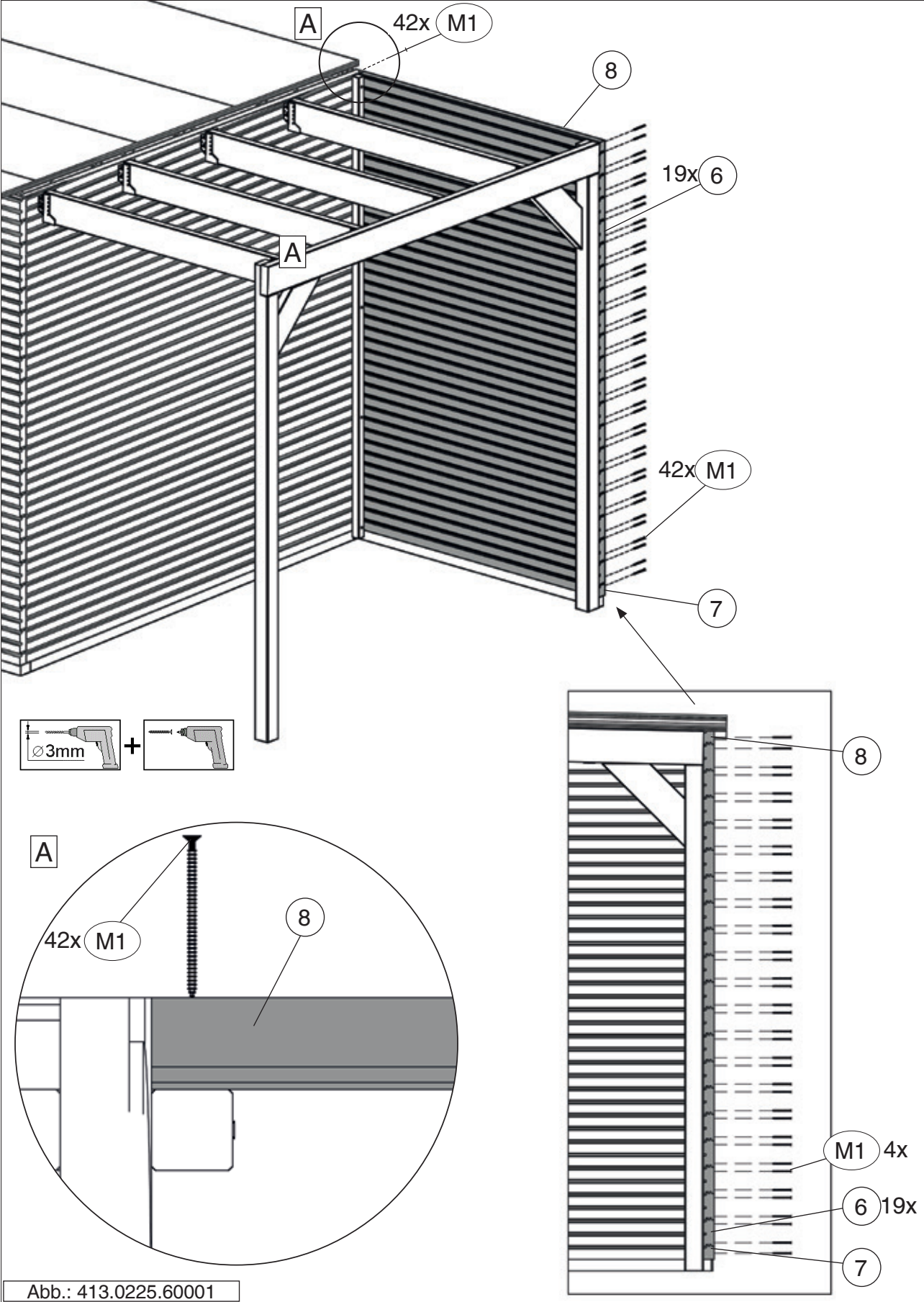
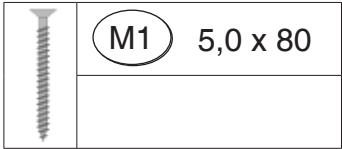



Abb.: 413.0225.60001

10

|   |             |
|---|-------------|
|  | M5 2,2 x 55 |
|   |             |

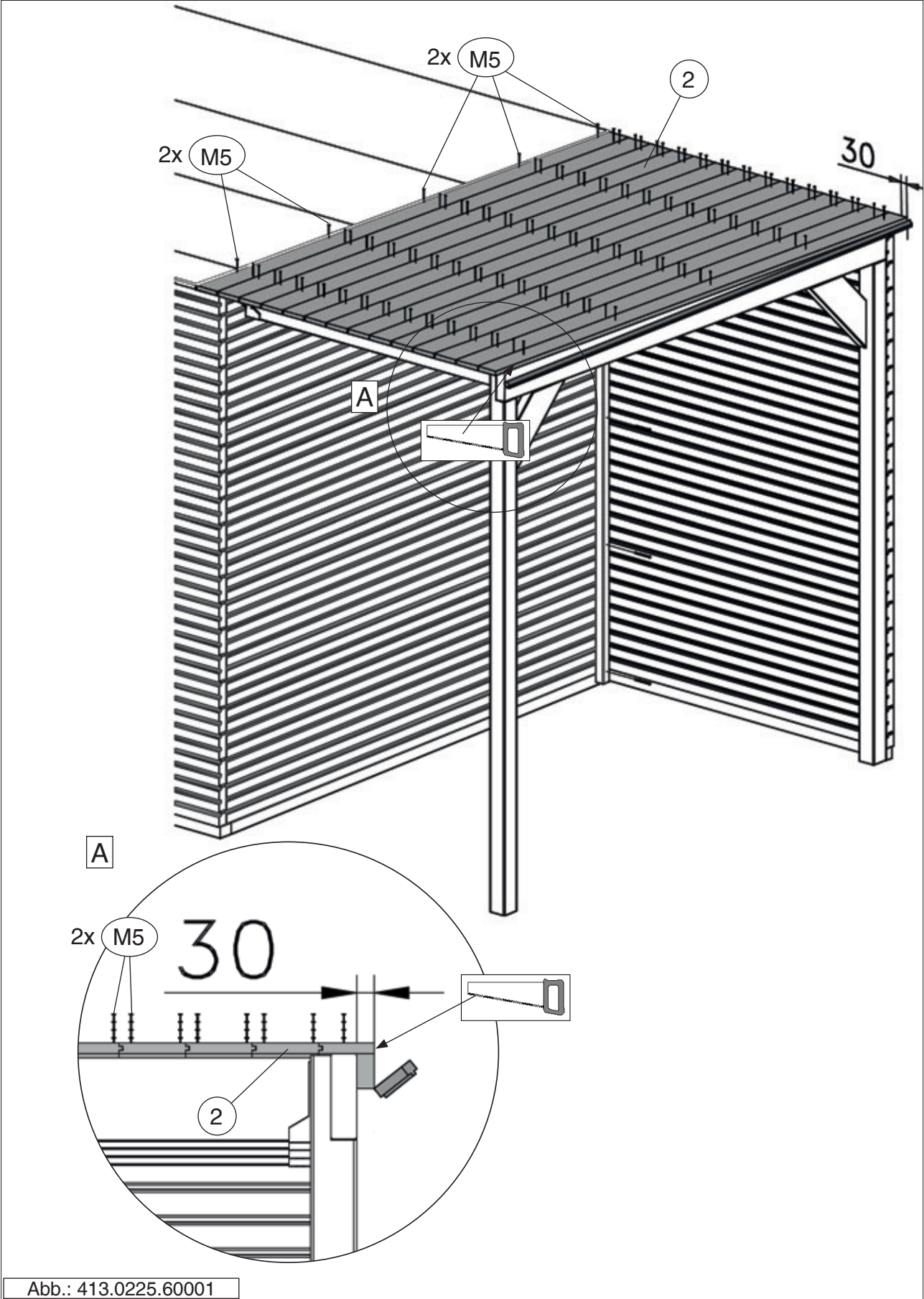



Abb.: 413.0225.60001

|   |             |
|---|-------------|
|  | M4 3,5 x 16 |
|   |             |

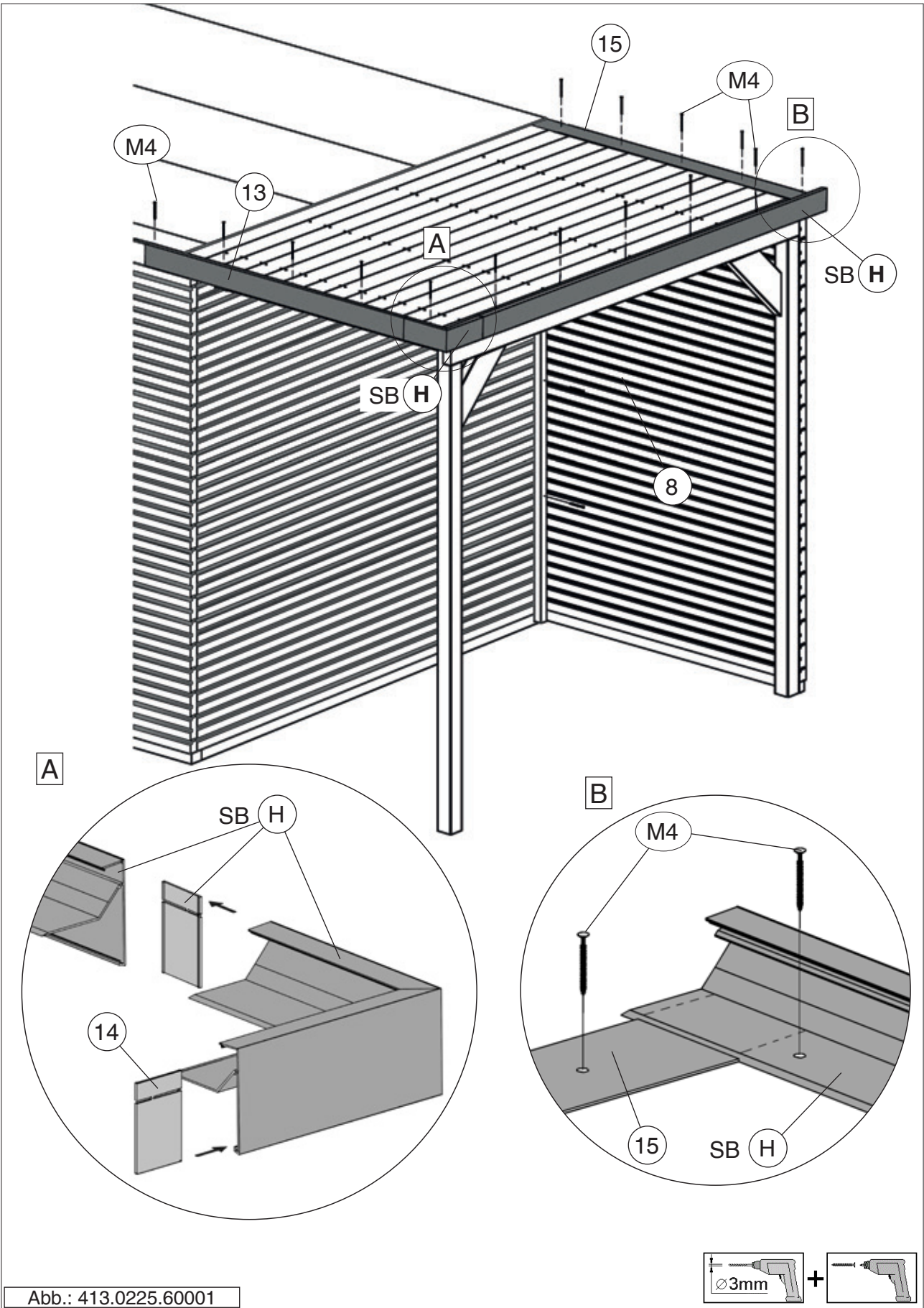


Abb.: 413.0225.60001



12

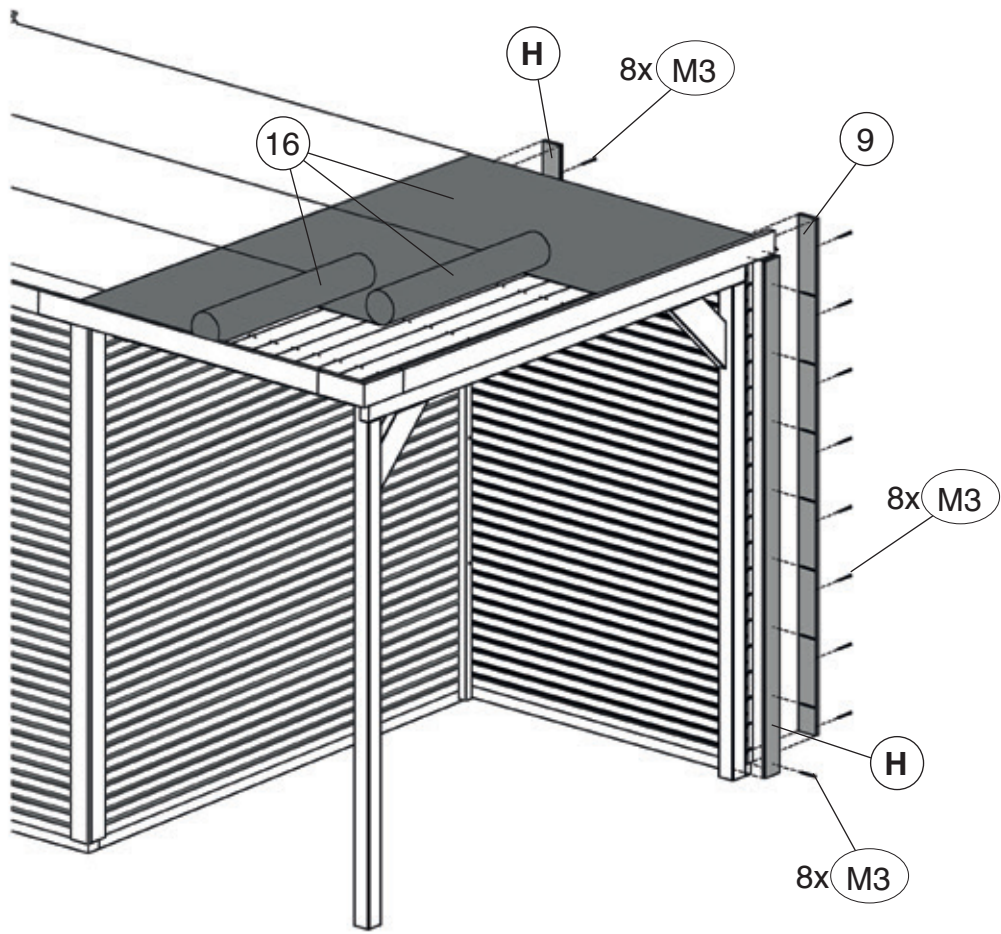
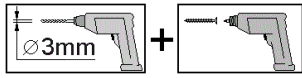
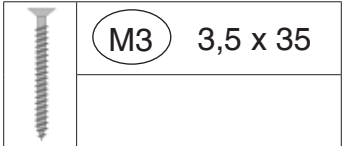


Abb.: 413.0225.60001

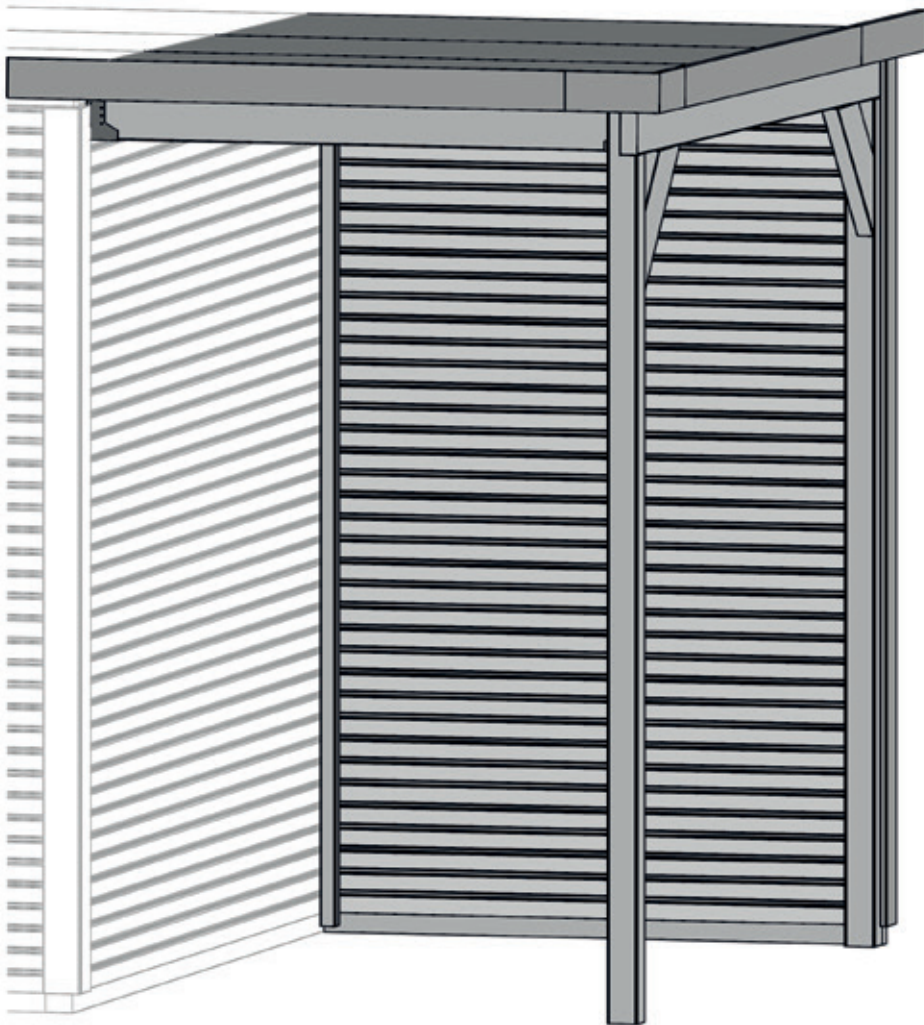


Abb.: 413.0225.60001



[www.weka-holzbau.com](http://www.weka-holzbau.com)



## **WEKA Holzbau GmbH**

Johannesstr. 16, 17034 Neubrandenburg

Tel.: +49 (0)395 42908-0

Fax: +49 (0)395 42908-83

Mail: [info@weka-holzbau.com](mailto:info@weka-holzbau.com)

Web: [www.weka-holzbau.com](http://www.weka-holzbau.com)

MA Art.-Nr.: 800.0286.18.12