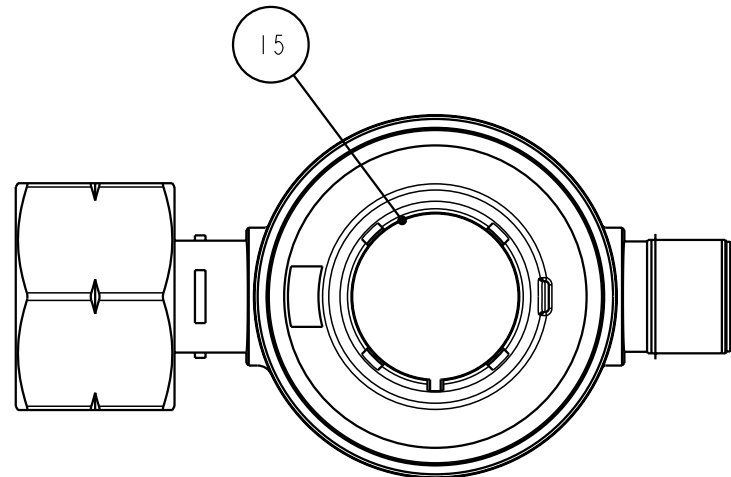
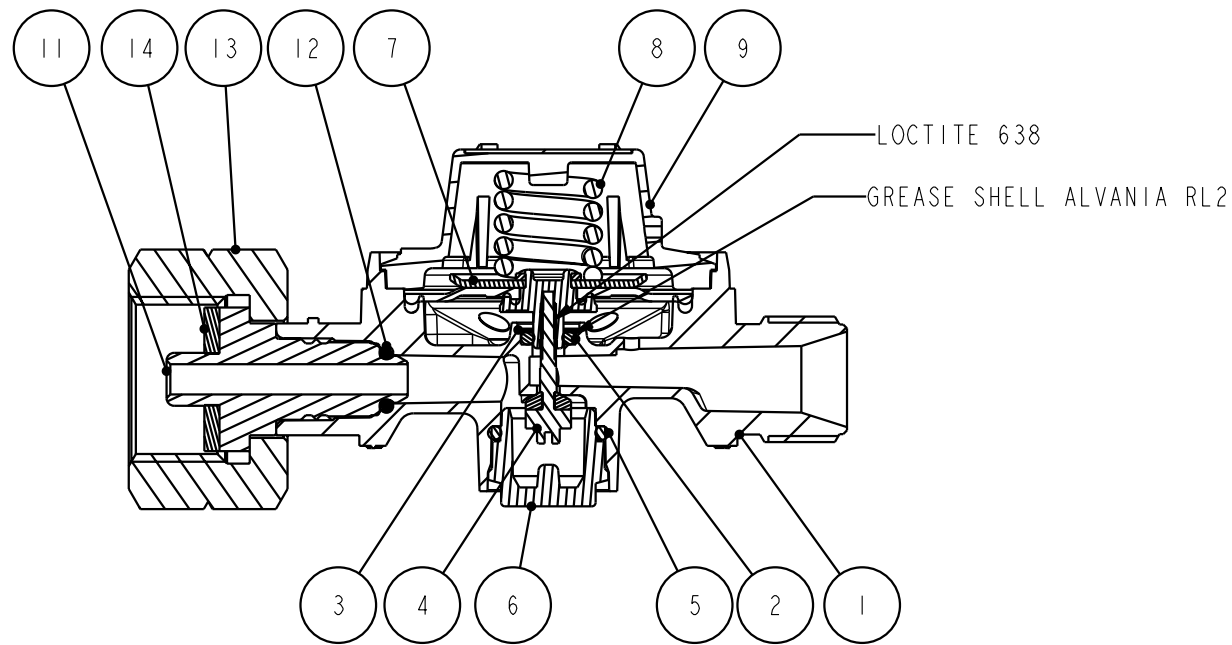
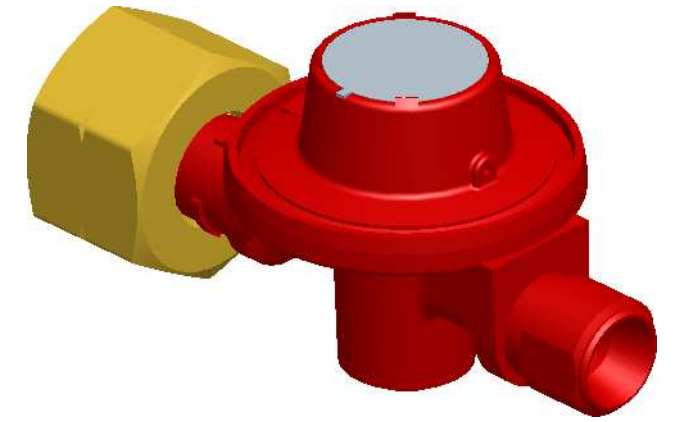
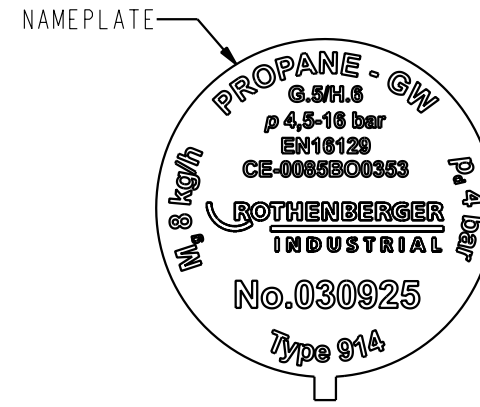
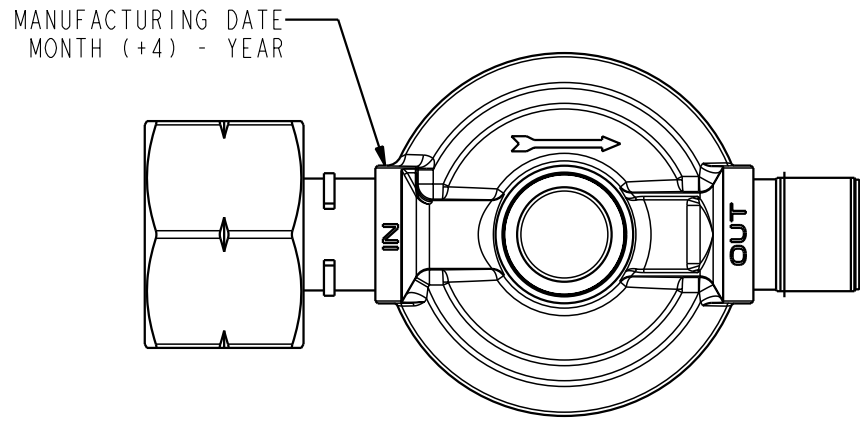




This drawing may not be copied or distributed in any way without the written permission of Cavagna Group Div. RE.CA. Via Matteotti, 5 - Calvisano - BS - Italy



EXPEDITION BOX LABEL

ROTHENBERGER INDUSTRIAL	
MS Code: 91-1-490-1096	
VS Code: No.030925	
Description: COSTANT PRESSURE REGULATOR	
PROPANE 4 bar 8 kg/h	
INLET : W 21.8x1/4" L	
OUTLET : R 3/8" L	
Pcs per carton: _ _	
Date: _/ _/ _	

NO	NO PRODUCT	DENOMINATION	Q.TY
1	00-1-150-0345	MACHINED BODY FOR TYPE 91 SIMPLE (orifice Ø3)	1
2	04-1-110-0529	O RING	1
3	15-1-110-0028	RONDELLA	1
4	03-1-950-0045	S/I PISTONCINO (MOD. 91)	1
5	04-1-110-0523	O RING	1
6	16-1-110-0307	TAPPO MOD.91	1
7	09-1-950-0167	S/A DIAPHRAGM FOR TYPE 91	1
8	07-1-110-0233	MOLLA TARATURA MOD.914 - 4 bar CON SBS (TARATURA DIN)	1
9	01-1-150-0263	COVER FOR TYPE 91 FIXED MACHINED	1
10	24-1-110-0032	PAINT RED (RAL 3020)	1
11	16-1-110-0121	RACCORDO "KOMBI"	1
12	04-1-110-0502	O RING	1
13	10-1-110-0050	CALOTTA PESANTE TIPO DIN (KOMBI ALTO)	1
14	04-1-110-0042	GUARNIZIONE PER KOMBI	1
15	18-1-110-1474	NAMEPLATE FOR TYPE 914 - ROTHENBERGER	1
16	34-1-110-1216	INSTRUCTION TYPE 914 - EN16129 (EN-DE-FR-NL)	1
17	23-1-210-0040	POLYBAG (150 x 200)	1
18	23-1-510-0029	EXPEDITION BOX ROTHENBERGER (R55)	1
19	34-1-210-1998	EXPEDITION BOX LABEL (FOR 91-1-490-1096)	1

	DENOMINATION		INDUSTRIAL H.P. REGULATOR				PROPANE 4 bar 8 kg/h								
	RECA		MODEL 914		ORIFICE 3		INLET KOMBI ALTO		OUTLET G 3/8" UM-LH		SHARED N.A.		PROD. INT. GROUP -		
PERFORMANCE DOC. 91-002		COUNTRY GERMANIA		COUNTRY SPECIFIC EN16129		WEIGHT -		SCALE 1:1		MODIFY FILE DM05342		PRODUCT NO 91-1-490-1096		REV 2	
PROD. EVOLUTION DEFINITIVE		PROJECT NO A108		RELEASE LEVEL APPROVED+		DRAWN BY RUSSO R.		VERIFIED BY TOMASELLI L.		APPROVED BY SCHLICKE B.		DATE 13/01/16			