



WORX
it's your nature

Owner's manual

Owner's manual	EN	P04
Benutzerhandbuch	D	P21
Mode d'emploi	F	P38
Manuale d'uso	I	P56
Manual del propietario	ES	P74
Gebruikershandleiding	NL	P92
Instrukcja obsługi	PL	P109
Návod k použití	CZ	P128
Návod na použitie	SK	P145
Navodila za uporabo	SL	P162
Manual de utilizador	PT	P179
Felhasználói kézikönyv	HU	P197
Manual utilizator	RO	P216
Priručnik za upotrebu	HR	P234
Ejerens instruktionsbog	DK	P253
Käyttäjänopas	FIN	P270
Brukermanuel	NOR	P286
Bruksanvisning	SV	P304

Original Instructions	EN
Übersetzung der Originalbetriebsanleitung	D
Traduction de l'instruction originale	F
Traduzione dell'istruzione originale	I
Traducción del manual original	ES
Vertaling van de oorspronkelijke gebruiksaanwijzing	NL
Tłumaczenie oryginalnej instrukcji	PL
Překlad originálního návodu	CZ
Preklad originálneho návodu	SK
Prevod izvirnih navodil	SL
Tradução da instrução original	PT
Fordítás az eredeti utasítások	HU
Traducerea instrucțiunilor originale	RO
Prijevod originalnih uputa	HR
Oversættelse af den originale brugsanvisning	DK
Käännös alkuperäisestä ohjeiden	FIN
Oversettelse av den opprinnelige beskrivelsen	NOR
Översättning av originalinstruktioner	SV

PRODUCT SAFETY

GENERAL & ADDITIONAL SAFETY INSTRUCTION

⚠ WARNING: Read all safety warnings and all instructions. *Failure to follow the warnings and instructions may result in electric shock, fire and/or serious injury.*

Carefully read the instructions for the safe operation of the machine.

Save all warnings and instructions for future reference.

-This appliance is not intended for use by persons (including children) with reduced physical, sensory or mental capabilities, or lack of experience and knowledge, unless they have been given supervision or instruction concerning use of the appliance by a person responsible for their safety.

-Children should be supervised to ensure that they do not play with the appliance.

-This appliance contains batteries that are only replaceable by skilled persons.

WARNING: For the purposes of recharging the battery, only use the detachable supply unit provided with this appliance.

WARNING: To reduce the risk of injury to persons and damage to the machine, do not remove battery pack before switching off the machine.

IMPORTANT

READ CAREFULLY BEFORE USE

KEEP FOR FUTURE REFERENCE

Safe operation practices

Training

- a) Read the instructions carefully. Make sure you understand the instructions and be familiar with the controls and the proper use of the appliance.
- b) Never allow people unfamiliar with these instructions or children to use the appliance. Local regulations can restrict the age of the operator.
- c) The operator or user is responsible for accidents or hazards occurring to other people or their property.

Preparation

- a) Ensure the correct installation of boundary wire as instructed.
- b) Periodically inspect the area where the appliance is to be used and remove all stones, sticks, wires, bones, and other foreign objects.
- c) Periodically visually inspect to see that the blades, blade bolts and cutter assembly are not worn or damaged. Replace worn or damaged blades and bolts in sets to preserve balance.
- d) On multi-spindle appliances, take care as rotating one blade can cause other blades to rotate.
- e) **WARNING!** The lawnmower shall not be operated without the guard in place.

Operation

1. General

- a) Never operate the appliance with defective guards, or without safety devices, for example deflectors, in place.
- b) Do not put hands or feet near or under rotating parts. Keep clear of the discharge opening at all times.
- c) Never pick up or carry an appliance while the motor is running.
- d) Operate the disabling device from the appliance.
 - Before clearing a blockage;
 - Before checking, cleaning or working on the appliance.
- e) It is not permitted to modify the original design of robotic lawnmower. All modifications are made at your own risk.
- f) Start robotic lawnmower according to the instructions. When the power key is switched on, make sure you keep your hands and feet away from the rotating blades. Never put your hands

and feet under the mower.

- g) Never lift up robotic lawnmower or carry it when the power key is switched on.
- h) Do not let persons who do not know how robotic lawnmower works and behaves use the mower.
- i) Do not put anything on top of robotic lawnmower or its charging station.
- j) Do not allow robotic lawnmower to be used with a defective blade disc or body. Neither should it be used with defective blades, screws, nuts or cables.
- k) Always switch off robotic lawnmower when you do not intend to use the mower. Robotic lawnmower can only start when the power key is switched on and the correct PIN code has been entered.
- l) Keep your hands and feet away from the rotating blades. Never place your hands or feet close to or under the body when robotic lawnmower is in operation.
- m) To avoid using the machine and its peripherals in bad weather conditions especially when there is a risk of lightning.
- n) Not to touch moving hazardous parts before these have come to a complete stop.
- o) For machines used in public areas, that warning signs shall be placed around the working area of the machine. They shall show the substance of the following text:
Warning! Automatic lawnmower! Keep away from the machine! Supervise children!

2. Additionally when the appliance is operating automatically

- a) Do not leave the machine to operate unattended if you know that there are pets, children or people in the vicinity.

Maintenance and storage

WARNING! When the mower is turned upside down the power key must always be switched off.

The power key should be switched off during all work on the mower's underframe, such as cleaning or replacing the blades.

- a) Keep all nuts, bolts and screws tight to be sure the appliance is in safe working condition.
- b) Inspect the robotic lawnmower each week and replace worn or damaged parts for safety.
- c) Check especially that the blades and blade disc are not damaged. Replace all blades and screws at the same time if necessary so that the rotating parts are balanced.
- d) Ensure that only replacement cutting means of the right type are used.
- e) Ensure that batteries are charged using the correct charger recommended by the manufacturer. Incorrect use may result in electric shock, overheating or leakage of corrosive liquid from the battery.
- f) In the event of leakage of electrolyte flush with water/neutralizing agent, seek medical help if it comes into contact with the eyes etc.
- g) Servicing of the appliance should be according to manufacturers' instructions.

Recommendation

To connect the machine and/or its peripherals only to a supply circuit protected by a residual current device (RCD) with a tripping current of not more than 30 mA.

Residual risks

To avoid injuries, wear protective gloves when replacing the blades.

Transport

The original packaging should be used when transporting robotic lawnmower over long distances. To safely move form or within the working area:

- a) Press the STOP button to stop the mower.

You select the four digit PIN code when you start the mower for the first time.

- b) Always switch off robotic lawnmower if you intend to carry the mower.
- c) Carry the mower by the handle at the front under the mower. Carry the mower with the blade disc away from the body.

RF exposure requirements

To satisfy RF exposure requirements, a separation distance of 200mm or more should be maintained between this device and persons during device operation.

To ensure compliance, operations at closer than this distance is not recommended. The antenna used for this transmitter must not be co-located in conjunction with any other antenna or transmitter.

Safety Warnings for battery pack

a) Do not dismantle, open or shred cells or battery pack.

b) Do not short-circuit a battery pack. Do not store battery packs haphazardly in a box or drawer where they may short-circuit each other or be short-circuited by conductive materials. When battery pack is not in use, keep it away from other metal objects, like paper clips, coins, keys, nails, screws or other small metal objects, that can make a connection from one terminal to another. Shorting the battery terminals together may cause burns or a fire.

c) Do not expose battery pack to heat or fire. Avoid storage in direct sunlight.

d) Do not subject battery pack to mechanical shock.

e) In the event of battery leaking, do not allow the liquid to come into contact with the skin or eyes. If contact has been made, wash the affected area with copious amounts of water and seek medical advice.

f) Seek medical advice immediately if a cell or battery pack has been swallowed.

g) Keep battery pack clean and dry.

h) Wipe the battery pack terminals with a clean dry cloth if they become dirty.

i) Battery pack needs to be charged before use. Always refer to this instruction and use the correct charging procedure.

j) Do not maintain battery pack on charge when not in use.

k) After extended periods of storage, it may be necessary to charge and discharge the battery pack several times to obtain maximum performance.

l) Recharge only with the charger specified by Worx. Do not use any charger other than that specifically provided for use with the equipment.

m) Do not use any battery pack which is not designed for use with the equipment.

n) Keep battery pack out of the reach of children.

o) Retain the original product literature for future reference.

p) Remove the battery from the equipment when not in use.

q) Dispose of properly.

r) Do not mix cells of different manufacture, capacity, size or type within a device.

s) Do not remove battery pack from its original packaging until required for use.

t) Observe the plus (+) and minus (-) marks on the battery and ensure correct use.

INFORMATION ON LANDROID



WARNING – robotic lawnmower can be dangerous if incorrectly used. Read through the Operator's manual carefully and understand the content before using your robotic lawnmower.



WARNING - Keep a safe distance from the machine when operating.



WARNING – Operate the disabling device before working on or lifting the machine.



WARNING - Do not ride on the machine.



Li-Ion battery. This product has been marked with a symbol relating to 'separate collection' for all battery packs and battery pack. It will then be recycled or dismantled in order to reduce the impact on the environment. Battery packs can be hazardous for the environment and for human health since they contain hazardous substances.



Do not burn



Batteries may enter water cycle if disposed improperly, which can be hazardous for ecosystem. Do not dispose of waste batteries as unsorted municipal waste.



Prohibit disassembling the machine without authorization



Waste electrical products must not be disposed of with household waste. Please recycle where facilities exist. Check with your local authorities or retailer for recycling advice.



Class III appliance



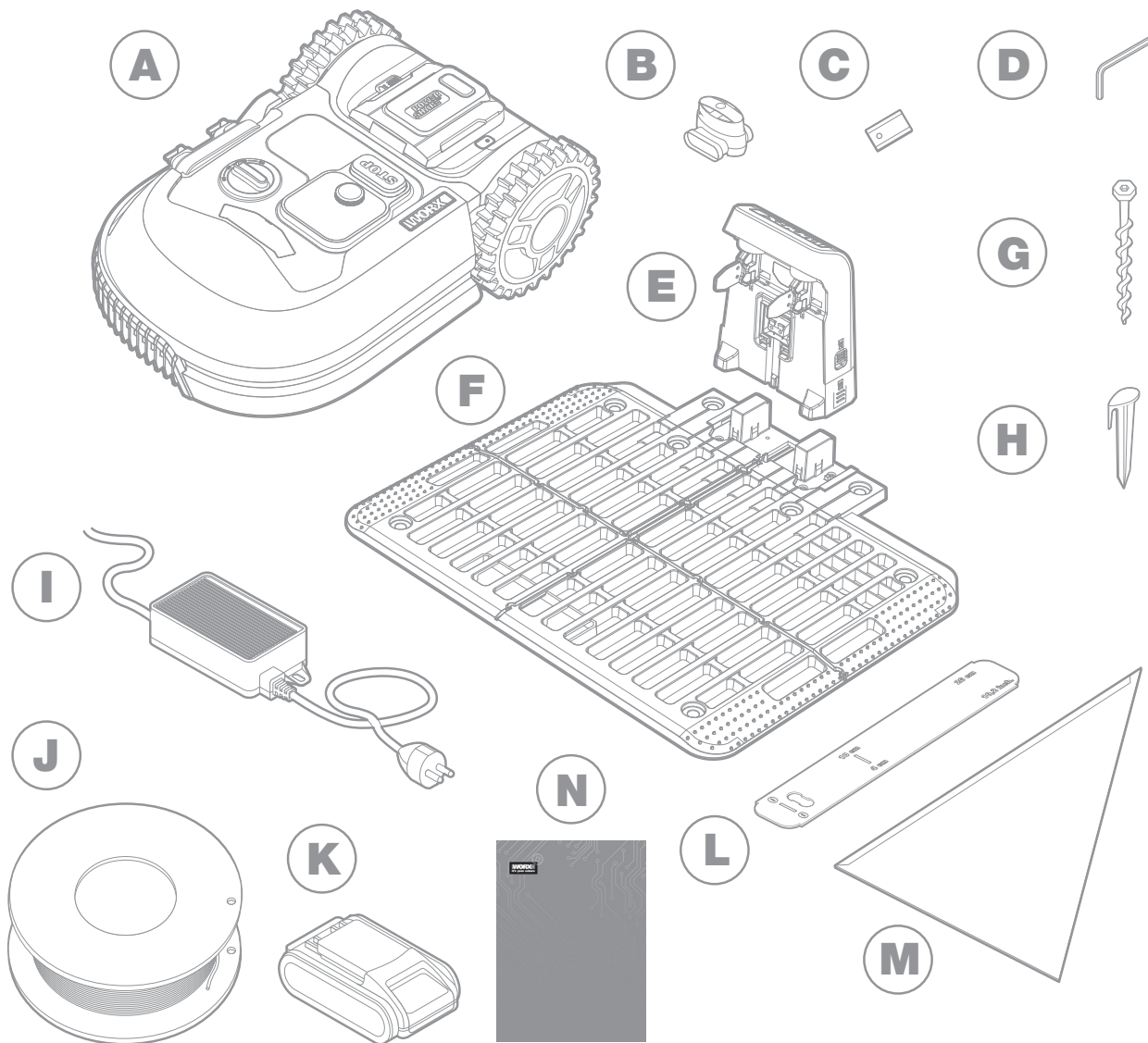
Read operator's manual



Detachable supply unit

Your Landroid can be used with other Worx functional accessories. Visit www.worxlandroid.com to learn more about these available accessory options.

**COMPONENT LIST
WHAT'S IN THE BOX**



The picture is only for reference

- A** Worx Landroid

- B** Wire repair connectors

- C** Spare blades kits

- D** Hex key

- E** Charging pile

- F** Charging base

- G** Screws

- H** Wire pegs

- I** Power supply

- J** Boundary wire

- K** 20V battery

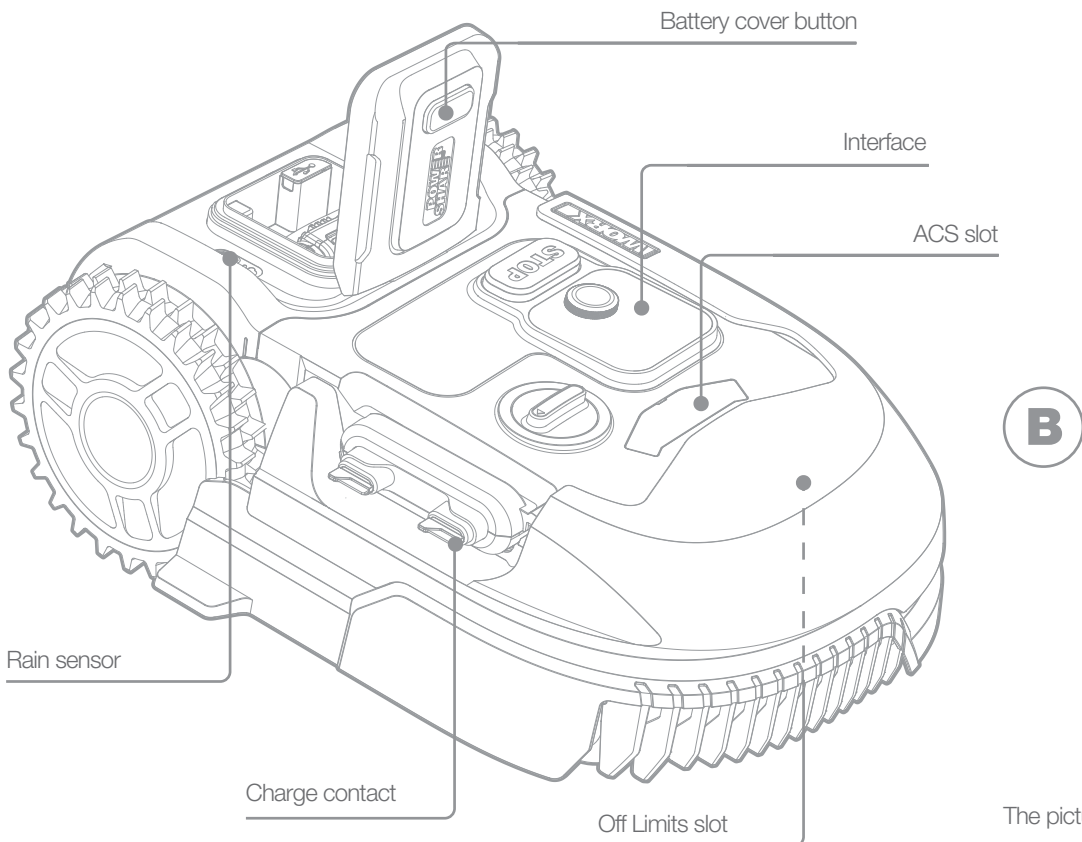
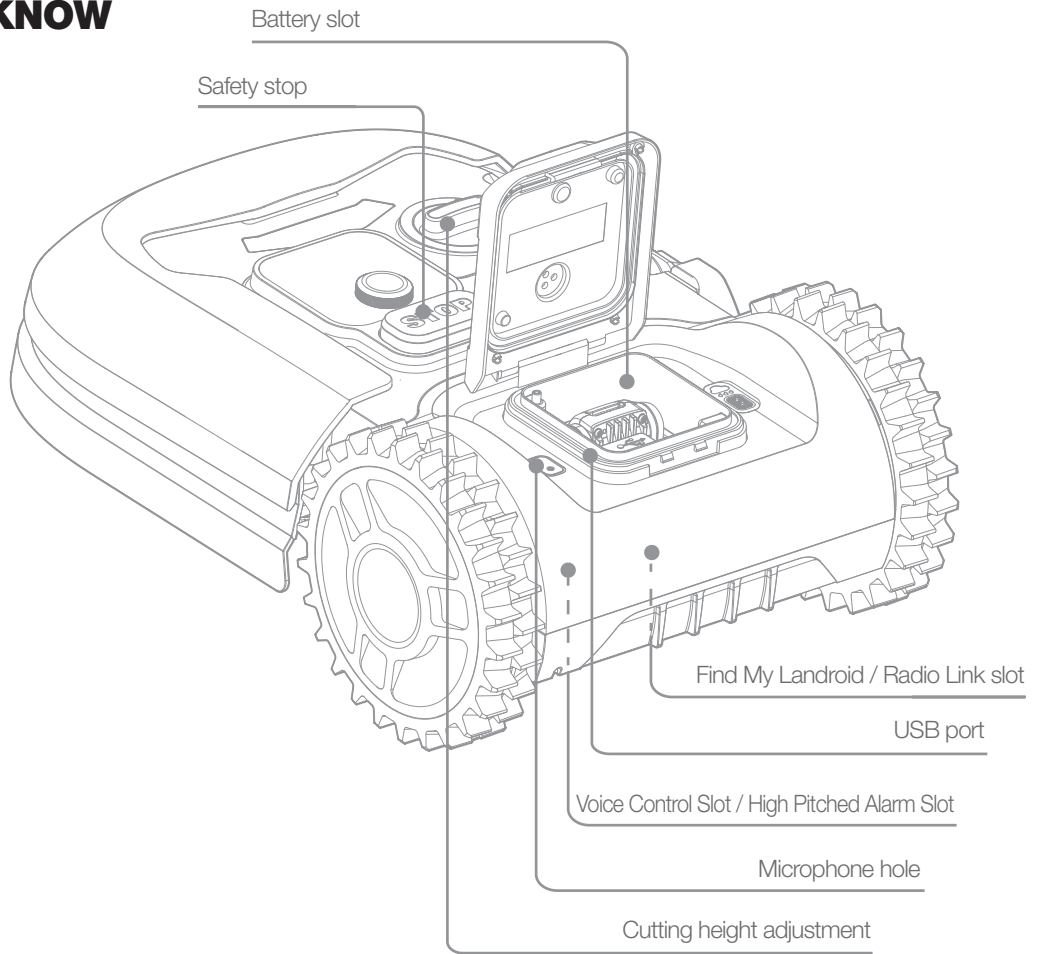
- L** Boundary wire distance gauges

- M** Bertelsen ruler

- N** Manuals

GETTING TO KNOW LANDROID

A






B

The picture is only for reference


TECHNICAL DATA

Type **WR165E WR167E WR148E WR147E.1 (100-199 - designation of machinery, representative of Robotic Lawnmower)**

	WR165E	WR167E	WR148E	WR147E.1
Rated voltage	20 V  Max.*			
No load speed (/min)	2800		2400	
Cutting area (m ²)	500	700	800	1000
Cutting diameter (cm)	18		20	
Cutting height (mm)	30-60			
Cutting height positions	4			
Battery type	Lithium-ion			
Battery model	WA3551.3	WA3553.3	WA3551.3	WA3553.3
Charging time approx. (mins)	75	150	75	75
Charger model	WA3750.1/ WA3755.1			WA3775 / WA3776
Charger rating	Input: 100-240 V~50/60 Hz, 38 W, Output: 20V  , 1.5 A			Input: 100-240 V~50/60 Hz, 90 W, Output: 20 V  , 3.0 A
Machinery weight (kg)	9.5	9.8	11.7	12
Protection degree	III			
App (Wifi/Bluetooth)	Y			
Frequency band of embedded WLAN module	2.412GHz-2.484GHz			
Max. radio-frequency power of embedded WLAN module	802.11b: +16±2dBm(@11Mbps) 802.11g: +14±2dBm(@54Mbps) 802.11n: +13±2dBm(@HT20, MCS7)			
Frequency band of inductive loop systems	77 Hz			
Max. radio-frequency power of inductive loop systems	82 dBµA/m			

*Voltage measured at no load. Initial battery voltage reaches maximum of 20 volts. Nominal voltage is 18 volts.

NOISE DATA

	WR165E	WR167E	WR148E	WR147E.1
A weighted sound pressure	$L_{pA} = 45.5 \text{ dB(A)}$		$L_{pA} = 40.68 \text{ dB(A)}$	
	$K_{pA} = 0.6 \text{ dB(A)}$		$K_{pA} = 1.36 \text{ dB(A)}$	
A weighted sound power	$L_{wA} = 65.5 \text{ dB(A)}$		$L_{wA} = 61.56 \text{ dB(A)}$	
	$K_{wA} = 0.6 \text{ dB(A)}$		$K_{wA} = 1.36 \text{ dB(A)}$	
Wear ear protection when sound pressure is over 80 dB (A).				

A degree of noise from the machine is not avoidable. Route noisy work is to be licensed and limits for certain periods. Keep rest periods and they may need to restrict the working hours to a minimum. For their personal protection and protection of people working nearby, an appropriate hearing protection shall be worn.

ACCESSORIES

	WR165E	WR167E	WR148E	WR147E.1
Screw	9	9	9	9
Charging base	1	1	1	1
Charging base fixing nails	8	8	8	8
Boundary wire	130m	150m	150m	180m
Wire pegs	180	210	210	250
Hex key	1	1	1	1
Boundary wire distance gauge	2	2	2	2
Blade	9	9	9	9
Connector	2	2	2	2
Battery pack (WA3551.3)	1	/	1	/
Battery pack (WA3553.3)	/	1	/	1
Charger (WA3750.1/ WA3755.1)	1	1	1	/
Charger (WA3775 / WA3776)	/	/	/	1

We recommend that you purchase genuine accessories listed in the above list from the same store that sold you the tool. Refer to the accessory packaging for further details. Store personnel can assist you and offer advice.

INTENDED USE

The garden product is intended for domestic lawn mowing. It is designed to mow often, maintaining a healthier and better looking lawn than ever before. Depending on the size of your lawn, your Landroid may be programmed to operate at any time or frequency. It is impossible for digging, sweeping or snow cleaning.

MAINTENANCE

Your Landroid works hard and needs to be cleaned and checked from time to time. This section of our guide helps you keep Landroid in good shape so it can last for years without troubles. Here's how to take care of your Landroid .Switch off the machine before carrying out any service or maintenance.

Keep it sharp

Landroid does not cut grass like other mowers. Its cutting blades are razor sharp on 2 edges and rotate in both directions for maximum cutting capacity.

- A .The blade turning disc makes a clockwise and counterclockwise rotation at random to use both cutting edges and minimize the frequency of replacing the blades
- B. Each cutting blade will last up to 2 months when it is programmed to mow every day
- C. Always check to see if the blades are chipped or damaged and replace them if they are
- D. When the cutting blades are dull and worn out, they should be replaced with the spare blades provided with your Landroid. Spare blades are also available at your nearest Landroid retailer

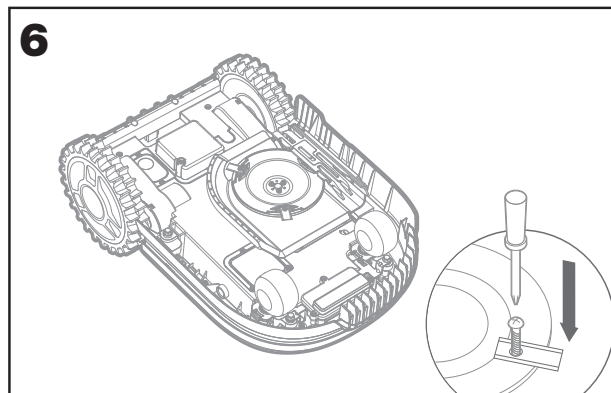
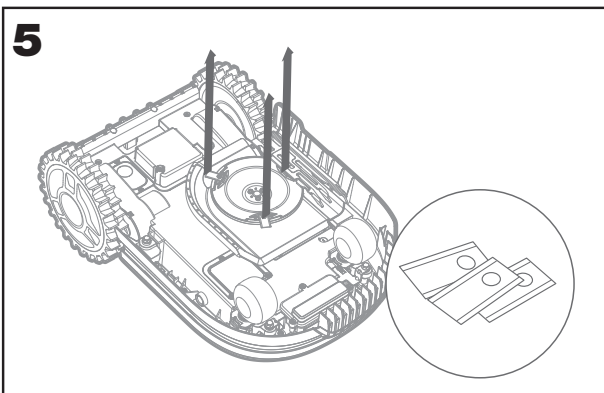
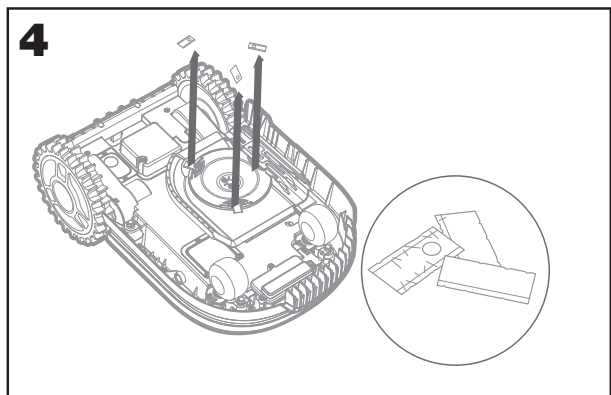
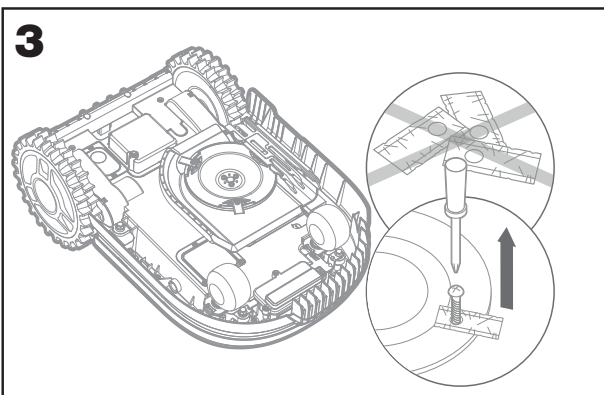
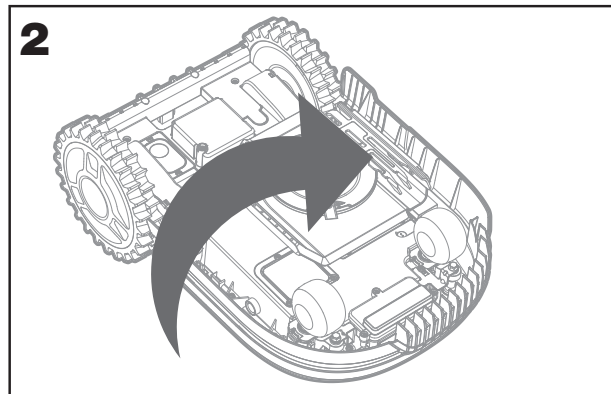
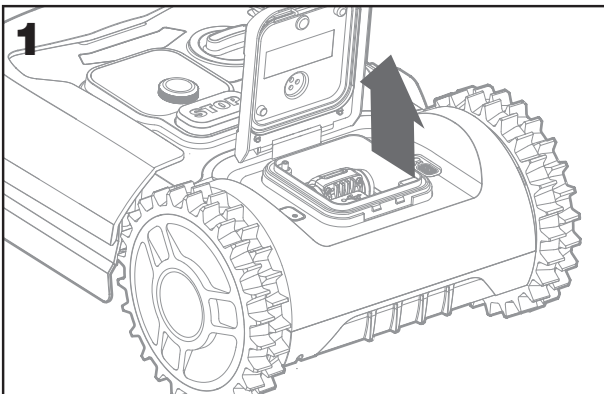
⚠️WARNING! Before cleaning, adjusting, or replacing the blades, turn your Landroid OFF and remove the battery. Always wear protective gloves.

1. Replacing the Blades

Remove the battery (fig. 1) and gently flip the Landroid over (fig.2)

Take the screws off the blades with a screwdriver (fig. 3 - 4)

Firmly screw on the new blades (fig. 5 - 6)

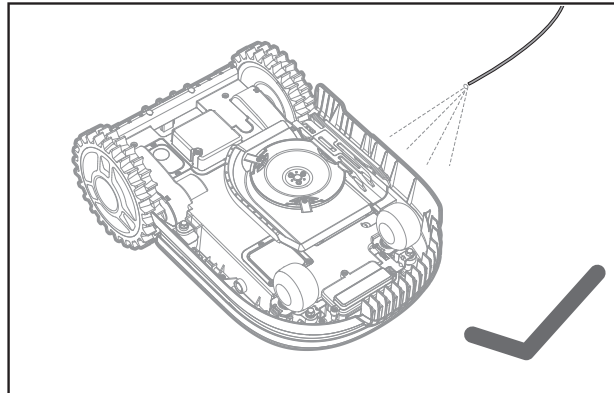
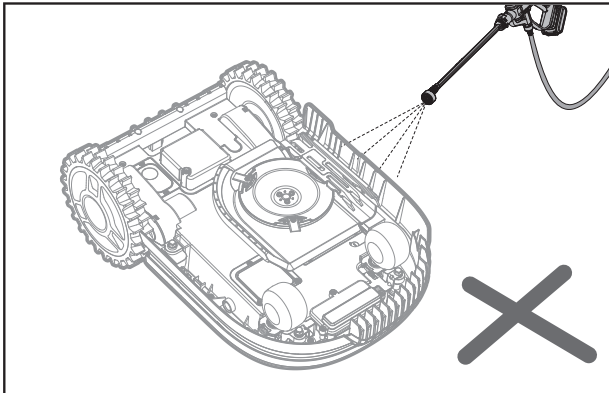


⚠ Attention: When fitting new blades, make sure you replace ALL the blades.
 Always use new screws when fitting blades. This is important to ensure blade retention and balance the blade turning disc. Failure to use new screws could cause serious injury
 Important: After screwing the blade to the blade disc, make sure the blade is able to spin freely

Keep it clean

Your Landroid should be cleaned regularly. This helps keep it in good condition, especially removing dirt, debris and the build-up of grass from daily mowing. Turn Landroid off before cleaning it. For extra safety, remove the battery.

⚠ Attention: Make sure the battery pack cover is closed when washing your Landroid.
⚠ WARNING! YOUR Landroid can only be washed by using a hose! DO NOT use high pressure washer on your Landroid. High pressure water can go inside the sealings and damage electronic and mechanical parts.



1. Cleaning the upper body

- A. Clean with a spray bottle filled with water. Don't use solvents or polishers
- B. Use a brush or a clean cloth to remove built-up dirt

2. Cleaning the Bottom

- A. Flip Landroid upside down
- B. Remove debris and grass clippings using a brush to remove
- C. Be careful not to touch the blades with your hands. Wear gloves for protection
- D. Clean the blade disc, the chassis and the front wheel(s) thoroughly with a soft brush or moist rag
- E. Rotate the blade disc to ensure it rotates freely. Remove any obstructions. Remove any lodged debris so that they don't cause a crack in the blade disk. Even the tiniest crack effects mowing performance
- F. Check the blades spin freely around the fixing screws. Remove any obstructions

3. Cleaning the drive wheels

- A. Remove mud from wheels with a brush in order to ensure good grip of the tread

4. Clearing the charging contacts

- A. Clean the contact pins located on the charging pile and the charging strips located on the Landroid using a cloth
- B. Periodically remove any build-up of grass clippings or debris around the contact pins and the charging strips to ensure Landroid successfully charges each time

Keep it charged

The heart of Landroid is its 20V Li-Ion Worx Powershare Battery.

- A. For the proper storage of the battery, make sure it is fully charged and kept in a cool dry place.
- B. The recommended Landroid operation temperature is between 0-55°C
- C. The life-span of Landroid's battery depends on hours of usage and the length of use per day during the mowing season

1. Landroid can be charged manually without the boundary wire

- A. Connect the charging station to a suitable power supply. The green light on the charging station will turn on
- B. Manually dock Landroid into the charging station while Landroid is powered off
- C. The green light on the charging station will flash and Landroid will begin to charge

Keep it stored over the winter

Although Landroid is designed and built to survive the most severe weather conditions, we recommend storing it in your shed or garage during the winter. To prepare it for winter hibernation:

- A. Clean it thoroughly

- B. Fully charge the battery
- C. Turn the power off

1. Getting back to work in the Spring

When it is time to re-start Landroid for the new season, please perform the following checks:

- A. Update the time and date settings via the app
- B. If you notice signs of oxidation on the charging contacts of Landroid and the charging station, clean these with a fine grade emery cloth
- C. Full charge Landroid’s battery before operating

Keep it updated

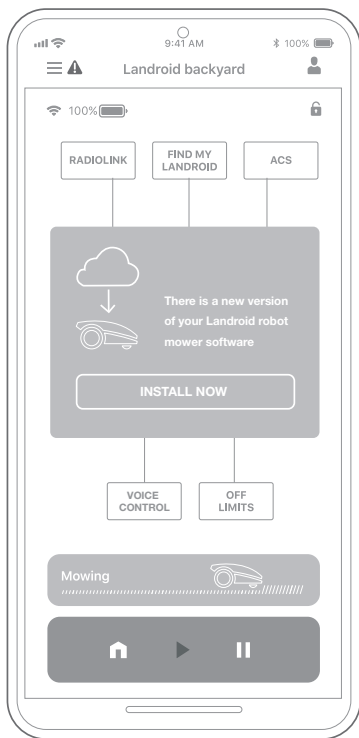
Landroid is always improving and new software versions are made available for free. Always keep Landroid software updated to make the most of your machine.

1. Over-the-Air (OTA) updates

If your Landroid is connected to your Wi-Fi network, you will be notified that new software is available via the app. Once you confirm, the update will happen automatically Over-the-Air.

2. Check which software version you have

The software version number can be seen when the Landroid is power- on.



3. Manual updates

- A. If your Landroid is not connected to your Wi-Fi network, you can still update it to the latest software version with a USB stick
- B. Regularly visit the Worx Landroid website to check if any new version is available. If you subscribed to Landroid email list, you will be notified when a new version is available
- C. Download the latest software version at our website
- D. Take a blank USB stick formatted in FAT32
- E. Save the zip file and extract the content to your USB stick
- F. Place Landroid on a secure and level surface
- G. Turn off Landroid
- H. Go to the rear of the Landroid to access the USB port.
- I. Insert the USB stick in the port
- J. Place the Landroid on the lawn again, inside the working area delimited by the boundary wire
- K. Turn on Landroid
- L. Without lifting Landroid, remove the USB stick when 'Please remove the USB key' is displayed
- M. The update will begin automatically and may take a while. Landroid will restart automatically after the update is completed


NOTE: Make sure Landroid is within the boundary when restarting Landroid.

OPERATION MESSAGES

MESSAGE	LANDROID ACTION
Cutting grass	Cutting grass according to the mowing schedule.
Raining	The rain sensor detects water. Landroid will return to the charging station and stay there for the time you have programmed it to do so. When dry, Landroid will automatically begin the rain delay countdown and then return to mow. If you want Landroid to mow before this, simply turn it off then on again, but only when the rain sensor is dry, or you can remove the rain delay completely by setting the rain delay time to zero.
Going home	Needs to recharge—during the journey to the base, the cutting blade is stopped in order to save energy.
Charging	'Charging' and charge percentage are displayed.
No working time scheduled	Stand-by, needs to be programmed as desired.
Not working today	Stand-by, will start according to mowing schedule.
Work done today	
Zone searching	According to the setting of 'Customize work zone', Landroid is searching a certain area to mow.
Charge complete	Landroid has completed its charging.
Emergency charge	Landroid is charging in a powered-off state.

ERROR MESSAGES

Sometimes things can go wrong. Fortunately Landroid is smart enough to tell you if it is encountering an issue, so you can fix it. If in doubt, please visit our website where you will find useful videos and further support.

MESSAGE	CAUSE	ACTION
	Battery pack cover is open	Close the battery pack cover
Outside working area! Press START to reset.	Landroid cannot find the boundary wire signal.	1. If Landroid is actually outside of its working area: turn power off, take Landroid inside the working area, turn the power on and press start. 2. If Landroid is inside its working area check if the LED on the charging pile is solid green. If red, check if the boundary wire is properly connected to the charging pile and that the pile is connected to a suitable power supply. If they are properly connected, the boundary wire terminals are clamped incorrectly and must be reversed.
WRONG PIN! Please retry.	PIN code is wrong.	Input the correct PIN or re-set your PIN.
Blade motor fault! Press START to reset.	Blade disc is blocked by an object, e.g. a branch.	Turn power off. Turn Landroid upside down and check if there's anything preventing the blade disc from rotating and remove any obstruction. Turn Landroid upright. Turn power on. Press start
	Blade is over-loaded by thick dense grass.	Turn power off. Take Landroid to an area with short grass or adjust the cutting height to a higher setting. Turn power on. Press start.

MESSAGE	CAUSE	ACTION
Wheels motor fault! Press START to reset.	Wheel motor is blocked in some way.	Turn power off and take Landroid to an area free from obstacles. Turn power on. Press start. If the error message is still displayed, turn power off. Turn Landroid upside-down and check if there's anything preventing the wheels from rotating. Remove any obstruction, turn Landroid upright, turn power on.
Upside down! Press START to reset.	This could have happened when Landroid came into contact with a sloping surface which made it overturn.	Turn Landroid upright and remove any obstacle that might have caused Landroid to overturn.
Mower trapped! Press START to reset.	Landroid is trapped.	Turn power off. Take Landroid to an area of your lawn free of obstacles, then turn power on. Press start. If the error message is still displayed: turn power off, turn Landroid upside-down. Check if there is anything preventing the wheels from rotating. Remove any obstruction, turn the Landroid upright, turn power on.
Mower lifted! Press START to reset.	Landroid is lifted up.	Turn power off. Take Landroid to an area clear of obstacles, turn power on. Press start. If the error message is still displayed: turn power off, turn Landroid upside-down and check there's anything that can cause Landroid to be lifted up. Remove any possible object, turn Landroid upright, turn power on.
Battery voltage too low! Please change battery.	Battery exhausted.	In this case you must turn Landroid off and place it in the charging station, then 'Emergency charging' will be displayed and it will start charging. If the battery error still persist, your battery is damaged and need to be changed.
Wire missing! Press START to reset.	Machine can't find boundary wire signal.	If the LED light is red, check if the boundary wire is well connected to the clamps on the charging pile. If the problem persists, check that the boundary wire hasn't been cut.
Battery temperature out of range! Please wait.	Temperature is too high (more than 55°C) or too low (less than 0°C) when charging.	Place the charging station in a shady area or wait until it reaches the normal temperature.
Can't find charge station press START to reset.	Boundary wire is beyond its maximum length (300m) or machine doesn't have enough power to go back to charging station.	Take Landroid to the charging station.
Mower locked!	With the 'Lock Function' enabled, if your Landroid does not receive a signal from your Wi-Fi router for 3 days, then it gets locked as a security measure. This could be because your router lost its power or because you changed your Wi-Fi router or network provider.	Please reconnect Landroid to the Wi-Fi network it has been originally paired with. If this is not possible, contact Customer Service.

NOTES


- A. Before turning power on, always check Landroid is inside its working area. If not, the message “Outside working area! Press START to reset” will be displayed. This message is also displayed when Landroid is partly but not completely inside its working area
- B. If for any reason—i.e. a party, children playing...—you want to park your Landroid in the charging station: press home then OK. Landroid will go to its base and stay there. Please note Landroid will now wait until the next scheduled mowing session. If you want to re-start it at anytime, press start then OK to start your Landroid
- C. If an error repeatedly occurs in the same area of your lawn, you might have a problem with the boundary wire so please refer to the installation instructions and check your set up is correct with its help
- D. If your lawn is divided in two separated areas, connected by a corridor less than 1m wide, one of which is not provided with the charging station: when Landroid runs out of charge, take it manually to the charging station
- E. If Landroid runs abnormally once in a while, please reset it by turning it off and removing the battery for 30 seconds, then restart it. If the problem cannot be solved, please contact our Customer Service for help

7. TROUBLE SHOOTING

If your Landroid does not work correctly, follow the trouble shooting guide below. If the fault persists, contact Customer Service.

SYMPTOM	CAUSE	SOLUTION
The LED light on the charging pile does not turn on.	There is no power.	Check the charging station is connected properly to the charger and the charger is connected to a suitable power supply.
Red light on the charging pile.	The boundary wire isn't connected.	Check that the boundary wire has been connected correctly to the charging station. Check there are no breaks in the boundary wire.
Landroid turns on, but the blade disc does not spin.	Landroid is searching for the charging station.	This is normal: when Landroid needs to recharge, the blade disc does not rotate while it is searching for the charging station automatically.
Landroid vibrates.	The blade disc is unbalanced. Blades may be damaged.	Check the blades and replace them if damaged. Remove debris and foreign objects from the blades and blade disc.
Grass is being cut unevenly.	Landroid does not work enough hours per day to cut the grass.	Try adding more hours to the mowing schedule.
	Mowing area is too big for the size of Landroid you have.	Try decreasing the size of the mowing area or increasing working time.
	The blades are dull and not sharp.	Change all the blades and screws in order to balance the blade disc.
	The cutting height is set too low for the length of the grass.	Raise the cutting height and then gradually lower.
	Grass or another object has wrapped around the blade disc.	Check the blade disc and remove any grass or other objects that might prevent it spinning.
	There is a build-up of grass in the blade disc or motor frame box.	Make sure the blade disc rotates easily. If need be, you may take off the blade disc and then remove the debris.
Your Landroid is inside its working area and the boundary wire is connected, but the display says 'Outside working area! Press START to reset'	The boundary wire ends are clamped incorrectly.	Reverse the boundary wire ends and reconnect to the charging station.
The charging time is far more than the rated charging time.	Poor connection caused by debris on the charging strip.	Clean the contact pins located on the charging pile and the charging strip on Landroid using a cloth.
	The charging protection program is activated due to high temperature.	Place the charging station in a shady area or wait until the temperature has cooled down.
The mower does not charge.	There is no power.	Check the power cord is connected properly to the charger and the charger is connected to a suitable power supply. Make sure both the charging strips on the mower touch the center of the contact strips on the charging pile.

Landroid is starting to have shorter run-times between charges.	Something is clogging in the blade disc creating friction and increasing power consumption.	Take off the blade disc and clean it. Maybe the grass is too high and too thick.
	Landroid is shaking heavily because the blade disc is unbalanced.	Check the blade disc and blades, remove debris and foreign objects from the blades and blade disc. Replace the blades with a new set.
	The battery may be exhausted or old.	Replace battery.
	The working time is up	reset the working time
Landroid is not operating at the correct time.	The clock is not set to the correct time.	Set the clock to the correct time.
	Programmed cutting times for Landroid are not correct.	Change the time settings for the mower to start and stop.
	the percentage of weekly operating time set through APP has changed.	set the correct percentage through APP.
Landroid cannot correctly dock with the charging pile.	Environmental influences.	Restart Landroid.
	Poor connection caused by debris on the charging strip.	Clean the contact pins located on the charging pile and the charging strip on Landroid using a cloth.
The green light on the charging pile turns on before charging is complete.	the charging station is overheating or overcooling	Place the charging station in a shady area or wait until it reaches the normal temperature
Landroid wheels skid or repeatedly slip.	Foreign obstacles, such as twigs and branches may be lodged under Landroid.	Remove foreign objects from underside of Landroid.
	The lawn is too wet.	Wait until lawn has dried.
Landroid runs outside the boundary wire. Landroid does not mow an area within a boundary wire zone. Landroid reverses or rotates erratically near the boundary wire.	The boundary wire of another Landroid or robotic mower is positioned too closely.	Ensure at least 1m clearance is provided in between your boundary wire and that of your neighbor.
	In wet conditions, the boundary wire electric signal may leak where the wire has been joined or repaired incorrectly.	Check boundary wire joints. Insulate to provide a fully waterproof connection.
	There is boundary wire electric signal leakage due to broken insulation.	Repair damaged boundary wire with the wire connectors supplied.
Landroid slips out of its working area going down a hill.	Low grip of Landroid drive wheels.	Please check the wheels are clean and free of mud in order to have the maximum grip possible.
Landroid operative system crashes when charging or on standby.	Software or display fault.	Restart Landroid.
Landroid shuts off when docking in the charging pile.	Landroid fails to charge due to over temperature protection and is powered off.	Place the charging station in a shady area or wait until the temperature has cooled down.
	Poor connection.	Check the LED light on the charging pile. Check the connection between the contact pins located on the charging pile and the charging strip.

Landroid stops in the working area.	There is an obstacle in the working area.	Remove the obstacle from Landroid's working area.
	The cutting height is set too low for the length of the grass or the grass is too dense.	Raise the cutting height and then gradually lower.
	The extended boundary wire should not exceed 300m or it may cause signal problem.	Reduce the length of the boundary wire.
	The distance between the center of the lawn and the boundary wire should not exceed 25m or it may cause signal attenuation.	Reduce the distance between the center of the lawn and the boundary wire perimeter within 25m.
Landroid flips over.	There is an inclined obstacle on the lawn.	Exclude the obstacle from Landroid's working area.
Landroid fails to connect to the internet.	Please check your router has the correct settings.	Make sure your router is 2.4GHz. If your router has two settings, please enable the 2.4GHz band. Make sure your router is set to 802.11 mode and wireless setting is b/g/n mixed. Make sure your router has the SSID Broadcast function enabled when you connect the machine with the app. You can close it after you connect successfully. Make sure DHCP function is enabled. If you changed your Wi-Fi network, you need to connect Landroid to the new network. If you have a "Fritz!box" router, please make sure activate "Allow communication between devices in same network" in the settings.
	Please check whether the router is disconnected or WIFI SSID is changed	Make sure the router is connected and WIFI SSID is correct
Your Landroid beeps when you are adjusting "month/hour /minute"	It is normal	Anticlockwise the  to adjust.

Environmental protection



Waste electrical products should not be disposed of with household waste. Please recycle where facilities exist. Check with your Local Authority or retailer for recycling advice.

DECLARATION OF CONFORMITY

We,
Positec Germany GmbH
Grüner Weg 10, 50825 Cologne, Germany

On behalf of Positec declare that the product

Description **Robotic Lawnmower**

Type **WR165E WR167E WR148E WR147E.1(100-199 - designation of machinery, representative of Robotic Lawnmower) (Serial number is placed on the back page) with battery charger WA3775 / WA3776 / WA3750.1/ WA3755.1 and charging base WA4002.1**

Function **Cutting grass**

Complies with the following Directives,

2006/42/EC, 2014/30/EU, 2014/35/EU, 2011/65/EU&(EU)2015/863, 2000/14/EC amended by 2005/88/EC, 2014/53/EU

WR165E WR167E

2000/14/EC amended by 2005/88/EC

- Conformity Assessment Procedure as per
- Measured Sound Power Level
- Declared Guaranteed Sound Power Level

Annex V
65.5 dB (A)
67 dB (A)

WR148E WR147E.1

2000/14/EC amended by 2005/88/EC

- Conformity Assessment Procedure as per
- Measured Sound Power Level
- Declared Guaranteed Sound Power Level

Annex V
61.56 dB (A)
63 dB (A)

The notified body involved

Name: Intertek, Semko AB (notified body 0413)
Address: Torshamnsgatan 43164 22 Kista Sweden
Certification No. : 201002326SHA-V1

Standards conform to,

**EN 60335-1:2012+A11+A13+A1+A14+A2:2019, EN 50636-2-107:2015+A1+A2:2020,
EN 60335-2-29:2004+A2+A11:2018, EN 62233:2008, EN 55014-1:2017+A11:2020,
EN 55014-2:2015, EN IEC 61000-3-2:2019, EN 61000-3-3:2013+A1:2019, EN ISO 3744:2005,
EN 300 328 V2.2.2, EN 301 489-1 V2.2.3, EN 301 489-17 V3.2.4, EN IEC 62311:2020,
EN 61558-1:2005+A1:2009, EN 61558-2-16:2009+A1:2013, EN 55011:2016+A11:2020,
EN 303 447 V1.1.1, EN 55032:2015+A11:2020, EN 55035:2017+A11:2020**

The person authorized to compile the technical file,

Name Marcel Filz
Address Positec Germany GmbH, Grüner Weg 10, 50825 Cologne, Germany



2020/12/02

Allen Ding

Deputy Chief Engineer, Testing & Certification

Positec Technology (China) Co., Ltd

18, Dongwang Road, Suzhou Industrial

Park, Jiangsu 215123, P. R. China

PRODUKTSICHERHEIT ALLGEMEINE SICHERHEITSHINWEISE FÜR ELEKTROWERKZEUGE

⚠️ WARNUNG: Lesen Sie alle Sicherheitshinweise und Anweisungen. *Versäumnisse bei der Einhaltung der Sicherheitshinweise und Anweisungen können elektrischen Schlag, Brand und/oder schwere Verletzungen verursachen.*

Lesen Sie die Bedienungsanleitung zum sicheren Betrieb des Gerätes aufmerksam durch.

Bewahren Sie alle Sicherheitshinweise und Anweisungen für die Zukunft auf.

-Dieses Gerät ist nicht zur Verwendung durch Personen (einschließlich Kindern) vorgesehen, die über reduzierte körperliche Eignung, Wahrnehmung oder geistige Fähigkeiten, Mangel an Erfahrung und Wissen verfügen, sofern diese Personen nicht von einer verantwortlichen Person beaufsichtigt oder in der Verwendung des Gerätes unterwiesen wurden.

- Kinder sollten grundsätzlich beaufsichtigt werden, damit sie nicht mit dem Gerät spielen.

-Dieses Gerät enthält Batterien, die nur von Fachleuten ausgetauscht werden können.

WARNUNG: Verwenden Sie zum Aufladen des Akkus nur das mit diesem Gerät gelieferte abnehmbare Netzteil.

WARNUNG: Nehmen Sie den Akku nicht heraus, bevor Sie das Gerät ausschalten, um die Verletzungsgefahr von Personen und Schäden am Gerät zu verringern.

WICHTIG VOR GEBRAUCH BITTE SORGFÄLTIG DURCHLESEN UND FÜR WEITERE FRAGEN AUFBEWAHREN

Sicherer Betrieb

Training

- Die Anweisungen aufmerksam durchlesen. Machen Sie sich mit den Bedienelementen und dem vorschriftsmäßigen Gebrauch des Rasenmähers vertraut.
- Niemals Kindern oder mit diesen Anweisungen nicht vertrauten Personen erlauben, den Rasenmäher zu benutzen. Nationale Vorschriften können das Alter der Bedienperson möglicherweise beschränken.
- Bedenken Sie, dass der Bediener oder Benutzer bei Unfällen oder Gefährdungen anderer Personen oder deren Eigentum die Verantwortung trägt!

Vorbereitung

- Stellen Sie sicher, dass das Begrenzungskabel gemäß den Anweisungen verlegt wird.
- Inspizieren Sie die Gegend, in der die Ausrüstung eingesetzt werden soll, gründlich und entfernen Sie alle Objekte, die durch die Maschine aufgeschleudert werden könnten.
- Überprüfen Sie in regelmäßigen Abständen, ob Messer, Messerschrauben und Schneidbalken abgenutzt oder beschädigt sind. Abgenutzte Messer und Schrauben nur im ganzen Satz auswechseln, um Unwuchten zu vermeiden.
- Achten Sie darauf, dass bei Geräten mit mehreren Klingen ein Klingensatz durch den anderen in Rotation versetzt werden kann.
- WARNUNG! Der Rasenmäher darf nicht betrieben werden, wenn der Schutz nicht angebracht ist.

Betrieb

1. Allgemeine Sicherheitshinweise

- Betreiben Sie das Gerät niemals mit defektem Schutz oder ohne installierte Sicherheitsvorrichtungen, wie etwa Deflektoren;
- Hände und Füße nicht in die Nähe oder unter rotierende Teile bringen. Halten Sie sich stets von der Austrittsöffnung fern.
- Niemals den Rasenmäher bei laufendem Motor anheben oder tragen.
- Betätigen Sie die Deaktivierungseinrichtung des Geräts,
 - vor dem Beseitigen einer Verstopfung;
 - vor dem Überprüfen, Reinigen oder Arbeiten am Gerät.
- Der ursprüngliche Zustand des Landroid® darf nicht modifiziert werden. Alle Änderungen erfolgen auf eigene Verantwortung.

- f) Starten Sie den Roboter-Rasenmäher gemäß Anweisungen. Wenn der Netzschalter eingeschaltet ist, stellen Sie sicher, dass Sie Ihre Hände und Füße von den drehenden Messern entfernt halten. Bringen Sie Ihre Hände und Füße niemals unter den Rasenmäher.
- g) Heben Sie den Roboter-Rasenmäher niemals an bzw. tragen Sie ihn nicht, wenn der Netzschalter eingeschaltet ist.
- h) Erlauben Sie niemandem, der sich mit den Funktionen und Verhaltensmustern des Landroid® nicht auskennt, den Mäher zu benutzen.
- i) Keine Gegenstände auf den Landroid® oder seine Ladestation legen.
- j) Wenn der Messerteller oder das Gehäuse defekt ist, darf der Landroid® nicht in Betrieb genommen werden. Das gleiche gilt für defekte Messer, Schrauben, Muttern oder Kabel.
- k) Schalten Sie den Roboter-Rasenmäher stets aus, wenn dieser nicht verwendet wird. Der Roboter-Rasenmäher kann nur starten, wenn der Netzschalter eingeschaltet ist und der korrekte PIN-Code eingegeben wurde.
- l) Halten Sie Hände und Füße von den rotierenden Rasenmäherklingen fern. Halten Sie mit Ihren Händen und Füßen stets einen sicheren Abstand zum Gehäuse ein, solange der Rasenmäher in Betrieb ist.
- m) Vermeiden Sie die Nutzung der Maschine und deren Peripheriegeräten bei schlechtem Wetter, besonders wenn die Gefahr eines Blitzschlags.
- n) Berühren Sie sich bewegende gefährliche Teile nicht, bevor diese vollständig zum Stillstand gekommen sind.
- o) Bei Maschinen, die in öffentlichen Bereichen verwendet werden, müssen diese Warnschilder um den Arbeitsbereich der Maschine angebracht werden. Sie sollen den Inhalt des folgenden Textes zeigen: Warnung! Automatischer Rasenmäher! Halten Sie sich von der Maschine fern! Beaufsichtigen Sie Kinder!

2. Hinweis zum Automatikbetrieb des Roboters

- a) Den Landroid niemals unbeaufsichtigt verwenden, wenn sich Personen – besonders Kinder – oder Haustiere in der Nähe aufhalten.

Wartung und Lagerung

⚠ WARNUNG! Wenn der Rasenmäher umgedreht wird, muss der Netzschalter stets ausgeschaltet werden.

Der Netzschalter muss bei allen Arbeiten am Unterbau des Rasenmähers ausgeschaltet werden, beispielsweise bei der Reinigung oder beim Wechseln der Messer.

- a) Stellen Sie den festen Sitz aller Schrauben, Muttern und Bolzen sicher, um zu gewährleisten, dass sich der Rasenmäher in einem betriebssicheren Zustand befindet.
- b) Den Landroid einmal pro Woche kontrollieren und eventuell beschädigte oder verschlissene Teile austauschen.
- c) Messer und Messerteller besonders sorgfältig auf Schäden untersuchen. Bei Bedarf alle Messer und Schrauben gleichzeitig austauschen, um eine Unwucht der rotierenden Teile zu vermeiden.
- d) Verwenden Sie beim Austausch nur Original Messer.
- e) Verwenden Sie zum Laden des Akkus nur das vom Hersteller empfohlene Ladegerät. Eine nicht den Hinweisen entsprechende Verwendung kann zu einem Stromschlag, zur Überhitzung oder zum Auslaufen der Batterieflüssigkeit führen.
- f) Tritt Batterieflüssigkeit aus, beseitigen Sie sie mit Wasser und einem neutralen Reinigungsmittel. Kommt sie mit Augen etc. in Kontakt, suchen Sie sofort einen Arzt auf.
- g) Warten Sie den Roboter nach den Anweisungen des Herstellers.

Empfehlung

Schließen Sie die Maschine und/oder deren Peripheriegeräte nur an einen Speisestromkreis an, der über einen Fehlerstromschutzschalter (RCD) mit einem Auslösestrom von nicht mehr als 30 mA verfügt.

Restrisiken

Um Verletzungen zu vermeiden, tragen Sie beim Wechseln der Klingen Schutzhandschuhe.

Transport

Für längere Transporte legen Sie den Landroid® am besten in die Originalverpackung.
Für einen sicheren Transport vom oder innerhalb des Arbeitsbereichs:

- a) Drücken Sie die STOP -Taste, um den Mäher zu stoppen.
Sie wählen den vierstelligen PIN aus, wenn Sie den Mäher das erste Mal benutzen.
- b) Schalten Sie den Roboter-Rasenmäher immer aus, wenn Sie diesen tragen möchten.
- c) Den Mäher an seinem Griff vorne unten tragen. Halten Sie den Messerteller beim Tragen des Mähers vom Körper weg.

Anforderungen an die HF-Exposition

Um die Anforderungen an die HF-Exposition zu erfüllen, sollte während des Betriebs des Geräts ein Abstand von mindestens 200 mm zwischen diesem Gerät und Personen eingehalten werden.

Um die Konformität zu gewährleisten, wird der Betrieb bei einem Abstand unter 200mm nicht empfohlen. Die für diesen Sender verwendete Antenne darf nicht zusammen mit einer anderen Antenne oder einem anderen Sender installiert werden.

Sicherheit hinweise für Akkupack

- a) **Zellen bzw. Akkupack nicht zerlegen, öffnen oder zerdrücken.**
- b) **Akkupack nicht kurzschließen. Akkupacks nicht wahllos in einer Schachtel oder Schublade aufbewahren, wo sie einander kurzschließen oder durch andere leitfähige Materialien kurzgeschlossen werden könnten.** Bei Nichtverwendung des Akkupacks ist dieses von Metallgegenständen fernzuhalten, wie etwa Büroklammern, Münzen, Nägeln, Schrauben oder anderen kleinen Metallgegenständen, wo sich die Batterieklemmen berühren könnten. Das Kurzschließen der Batterieklemmen kann Verbrennungen bzw. einen Brand verursachen.
- c) **Zellen bzw. Akkupacks nicht Hitze oder Feuer aussetzen. Lagerung in direktem Sonnenlicht vermeiden.**
- d) **Akkupack nicht mechanischen Stößen aussetzen.**
- e) **Im Fall, dass Flüssigkeit aus dem Akku austritt, darf diese nicht in Kontakt mit der Haut oder den Augen kommen. Sollte dies dennoch geschehen, den betroffenen Bereich sofort mit viel Wasser spülen und einen Arzt aufsuchen.**
- f) **Beim Verschlucken einer Zelle oder eines Akkupacks muss sofort ein Arzt herangezogen werden.**
- g) **Akkupack sauber und trocken halten.**
- h) **Sollten die Klemmen des Akkupacks schmutzig werden, diese mit einem sauberen, trockenen Tuch abwischen.**
- i) **Akkupack muss vor Gebrauch aufgeladen werden. Immer diese Anweisungen beachten und den korrekten Ladevorgang ausführen.**
- j) **Akkupack bei Nichtverwendung nicht längere Zeit aufladen lassen.**
- k) **Nach längerer Lagerung des Gerätes ist es eventuell notwendig, die Zellen oder das Akkupack mehrere Male aufzuladen und zu entladen, um eine optimale Leistung zu erhalten.**
- l) **Nur mit dem von Worx bezeichneten Ladegerät aufladen. Kein Ladegerät verwenden, das nicht ausdrücklich für den Gebrauch mit dem Gerät vorgesehen ist.**
- m) **Kein Akkupack verwenden, das nicht für den Gebrauch mit dem Gerät vorgesehen ist.**
- n) **Akkupacks von Kindern fernhalten.**
- o) **Die originalen Produktunterlagen zum späteren Nachschlagen aufbewahren.**
- p) **Den Akku bei Nichtverwendung aus dem Gerät nehmen.**
- q) **Ordnungsgemäß entsorgen.**
- r) **Vermischen Sie keine Zellen verschiedener Hersteller, Kapazitäten, Größen oder Typen innerhalb eines Geräts.**
- s) **Nehmen Sie das Akkupack nicht aus der Originalverpackung, bis es verwendet werden soll.**
- t) **Beachten Sie die Plus (+) und Minus (-) Markierungen auf dem Akku und stellen Sie die korrekte Anwendung sicher.**

INFORMATIONEN ZUM LANDROID



WARNUNG–Rasenmäroboter können bei unsachgemäßer Verwendung gefährlich sein. Lesen Sie die Bedienungsanleitung sorgfältig durch und verstehen Sie deren Inhalt, bevor Sie Ihren Rasenmäroboter betreiben.



WARNUNG- Halten Sie einen Sicherheitsabstand wenn der Roboter-Rasenmäher in Betrieb ist.



WARNUNG – Betätigen Sie die Deaktivierungsvorrichtung, bevor Sie am Gerät arbeiten oder die Maschine anheben.



WARNUNG – RASENMÄHROBOTER darf nicht als Transportmittel missbraucht werden.



Li-Ionen-Akku dieses Produktes wurde mit einem Symbol 'getrennte Sammlung' für alle Akkupacks gekennzeichnet. Diese Abfälle werden dann recycelt oder demontiert, um die Umweltbelastung zu verringern. Akkupacks können schädlich für die Umwelt und die menschliche Gesundheit sein, da sie schädliche Substanzen enthalten.



Nicht im Feuer entsorgen



Wenn die Batterie unsachgemäß behandelt wird, kann sie in den Wasserkreislauf gelangen, was für das Ökosystem schädlich sein kann. Entsorgen Sie Altbatterien nicht über den Hausmüll.



Verbieten Sie die unbefugte Demontage der Maschine



Elektroprodukte dürfen nicht mit dem normalen Haushaltsmüll entsorgt werden, sondern sollten nach Möglichkeit zu einer Recyclingstelle gebracht werden. Ihre zuständigen Behörden oder Ihr Fachhändler geben Ihnen hierzu gerne Auskunft.



Gerät der Klasse III



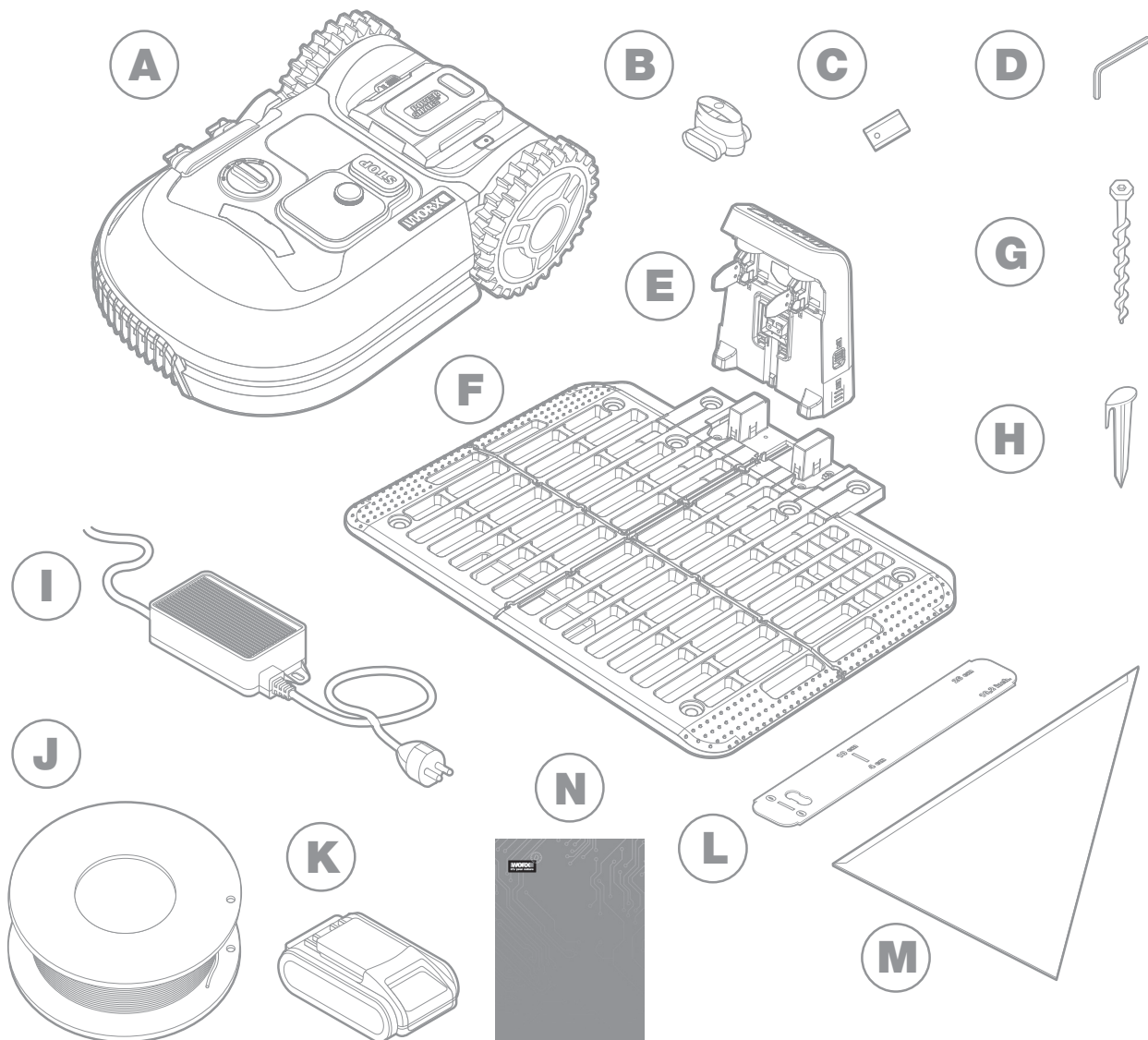
Lesen Sie die Bedienungsanleitung



Abnehmbare Versorgungseinheit

Ihr Landroid kann mit anderem Worx-Funktionszubehör verwendet werden. Besuchen Sie www.worxlandroid.com, um mehr über diese verfügbaren Zubehöroptionen zu erfahren.

**KOMPONENTEN
DAS IST IM LIEFERUMFANG ENTHALTEN**



Die Abbildung dient nur als Referenz

- A** Worx Landroid

- B** Begrenzungsdraht-Reparaturadapter

- C** Sätze Ersatzklingen

- D** Innensechskantschlüssel

- E** Ladestapel

- F** Ladestation

- G** Schrauben

- H** Heringe

- I** Netzteil

- J** Begrenzungskabel

- K** 20V Akku

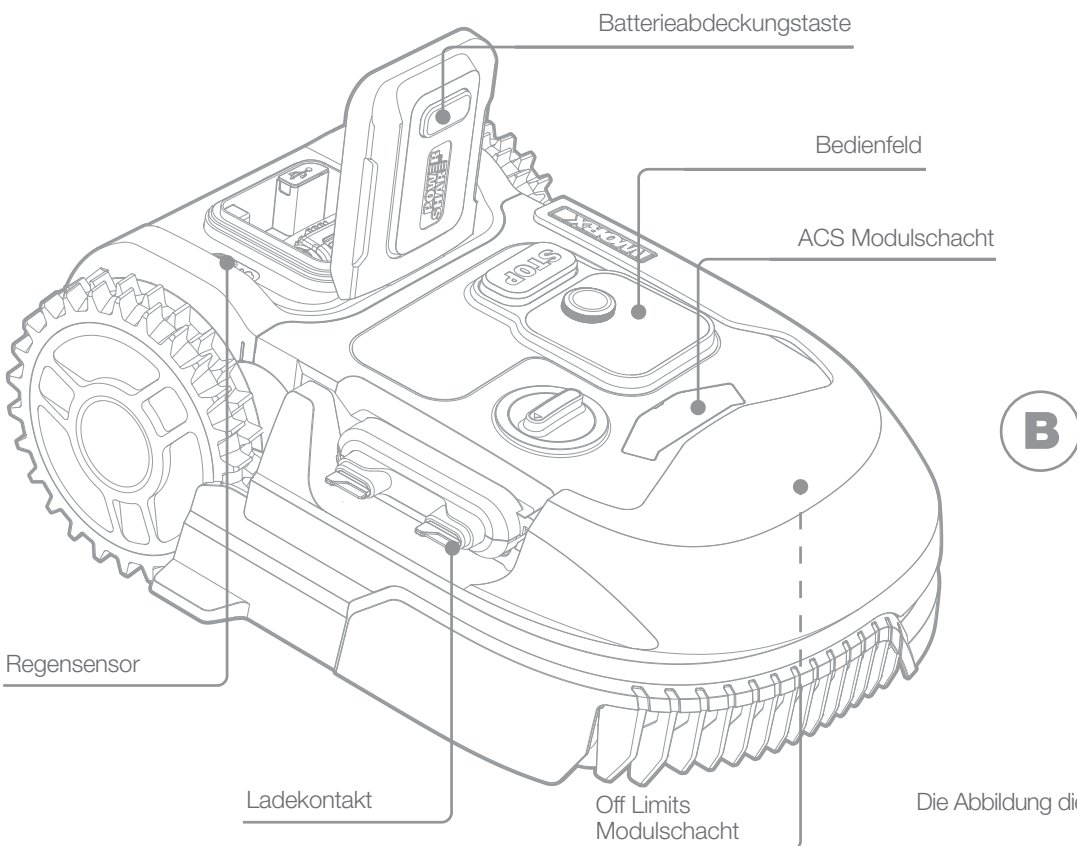
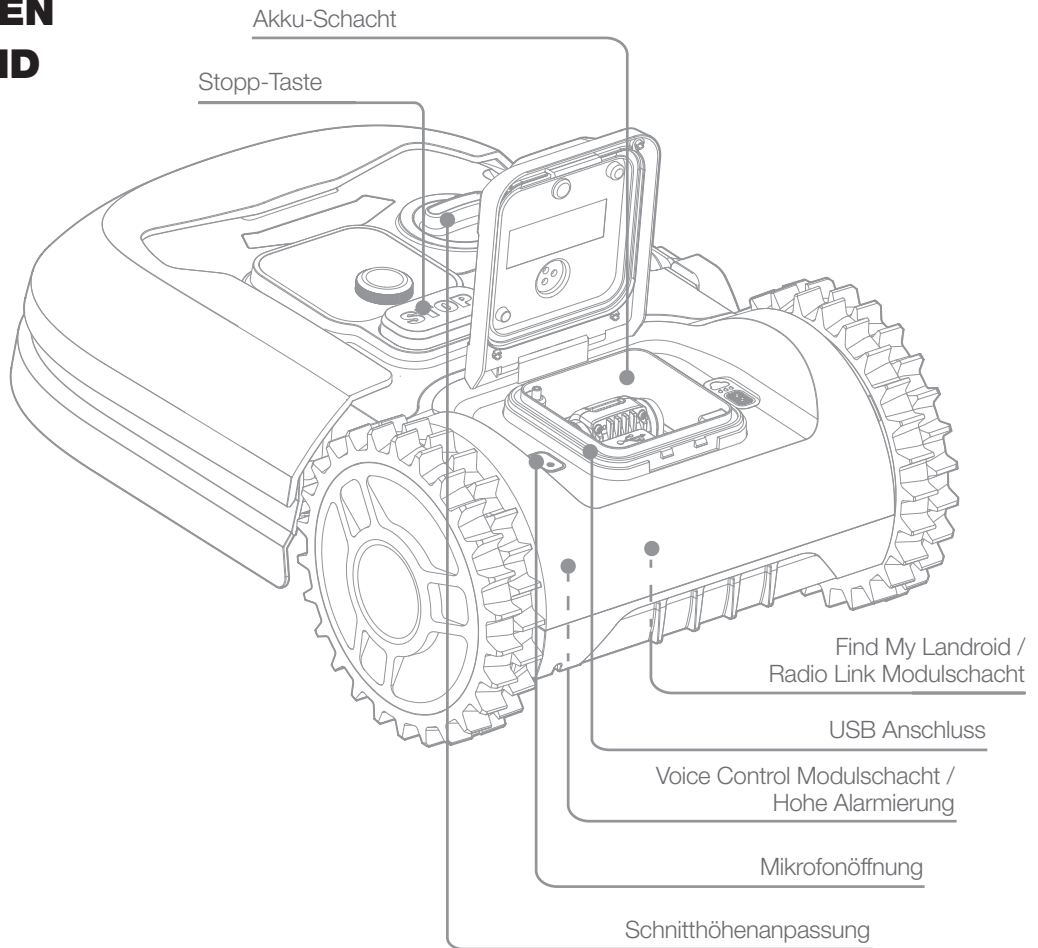
- L** Begrenzungsdraht-Lineale

- M** Bertelsen ruler

- N** Handbuch

KOMPONENTEN DES LANDROID

A



B

Die Abbildung dient nur als Referenz


TECHNISCHE DATEN

Typ **WR165E WR167E WR148E WR147E.1 (100-199 - Bezeichnung der Maschine, repräsentiert den Rasenmäroboter)**

	WR165E	WR167E	WR148E	WR147E.1
Nennleistung	20 V Max.*			
Leerlaufdrehzahl (/min)	2800		2400	
Schneidebereich (m ²)	500	700	800	1000
Schnittbreite (cm)	18		20	
Schnitthöhe (mm)	30-60			
Schnitthöhenverstellung	4			
Batterietyp	Lithium-Ionen			
Akkumodell	WA3551.3	WA3553.3	WA3551.3	WA3553.3
Ladezeit Ca. (mins)	75	150	75	75
Ladegerätmodell	WA3750.1/ WA3755.1			WA3775 / WA3776
Leistung des Ladegeräts	Eingang: 100-240 V~50/60 Hz, 38 W, Ausgang: 20V , 1.5 A			Eingang:100-240 V~50/60 Hz, 90 W, Ausgang: 20 V , 3.0 A
Gewicht (kg)	9.5	9.8	11.7	12
Schutzklasse	III			
App(Wi-Fi/Bluetooth)	Y			
Frequenzband des integrierten WLAN-Moduls (GHz)	2.412GHz-2.484GHz			
Max. Hochfrequenzleistung des integrierten WLAN-Moduls	802.11b:+16±2dBm(@11Mbps) 802.11g:+14±2dBm(@54Mbps) 802.11n:+13±2dBm(@HT20,MCS7)			
Frequenzband von Induktionsschleifensystemen	77 Hz			
Max. Hochfrequenzleistung des Induktionsschleifensystems	82 dBµA/m			

* Spannung ohne Arbeitslast gemessen. Die anfängliche Akkuspannung erreicht maximal 20 Volt. Die Nennspannung liegt bei 18 Volt.

INFORMATIONEN ÜBER LÄRM

	WR165E	WR167E	WR148E	WR147E.1
Gewichteter Schalldruck	$L_{pA} = 45.5 \text{ dB(A)}$		$L_{pA} = 40.68 \text{ dB(A)}$	
	$K_{pA} = 0.6 \text{ dB(A)}$		$K_{pA} = 1.36 \text{ dB(A)}$	
Gewichtete Schalleistung	$L_{wA} = 65.5 \text{ dB(A)}$		$L_{wA} = 61.56 \text{ dB(A)}$	
	$K_{wA} = 0.6 \text{ dB(A)}$		$K_{wA} = 1.36 \text{ dB(A)}$	
Tragen Sie einen Schallschutz bei einem Schalldruck über 80dB(A). 				

Eine gewisse Geräuscentwicklung der Maschine ist unvermeidlich. Die Durchführung geräuschintensiver Arbeiten benötigt eine Zulassung und muss in bestimmten Zeiten eingeschränkt werden. Halten Sie Ruhephasen ein und beschränken Sie die Arbeitsstunden auf ein Minimum. Zu Ihrem eigenen Schutz und den von Personen, die sich in der Nähe befinden, muss ein geeigneter Gehörschutz getragen werden.

ZUBEHÖRTEILE

	WR165E	WR167E	WR148E	WR147E.1
Schrauben	9	9	9	9
Ladestation	1	1	1	1
Fixierungsnägel für Ladestation	8	8	8	8
Begrenzungskabel	130m	150m	150m	180m
Heringe	180	210	210	250
Innensechskantschlüssel	1	1	1	1
Begrenzungskabel Abstandslehre	2	2	2	2
Messer	9	9	9	9
Verbindungsstück	2	2	2	2
Akkupack (WA3551.3)	1	/	1	/
Akkupack (WA3553.3)	/	1	/	1
Lader (WA3750.1/ WA3755.1)	1	1	1	/
Lader (WA3775 / WA3776)	/	/	/	1

Wir empfehlen Ihnen, sämtliche Zubehörteile beim selben Fachhändler zu beziehen, bei dem Sie auch Ihr Elektrowerkzeug oder Gartengerät gekauft haben. Weitere Informationen finden Sie auf der Verpackung der Zubehörteile. Auch Ihr Fachhändler berät Sie gerne.

BESTIMMUNGSGEMÄSSER GEBRAUCH

Dieses Produkt ist bestimmt für das Rasenmähen im privaten Bereich. Er ist zum häufigen Mähen bestimmt – er hält Ihren Rasen gesund und dieser wird gepflegter aussehen als je zuvor. Je nach Größe des Rasens kann der Landroid so programmiert werden, dass er zu jeder beliebigen Zeit und mit jeder beliebigen Frequenz uneingeschränkt arbeitet. Es ist nicht zum Graben, Reinigen oder Schneeräumen konzipiert.

WARTUNG

Ihr Landroid arbeitet hart und muss von Zeit zu Zeit gewartet und gereinigt werden. Dieser Abschnitt unserer Anleitung hilft Ihnen dabei, den Landroid in guter Form zu halten, sodass dieser ohne Probleme viele Jahre gut arbeitet. Schalten Sie die Maschine aus, ehe Sie jegliche Reparatur- oder Wartungsarbeiten ausführen.

HALTEN SIE DIE KLINGEN SCHARF

Der Landroid schneidet Gras nicht wie irgendein anderer Rasenmäher. Seine Schnittklingen sind an 2 Ecken rasiermesserscharf und rotieren für eine maximale Schnittmenge in beide Richtungen.

A. Der Messerteller dreht sich im und entgegen dem Uhrzeigerinn, verwendet so beide Messerseiten und minimiert die Häufigkeit eines Klingenwechsels

B. Ein Messer muss nach 2 Monaten gewechselt werden, wenn der Landroid jeden Tag mäht

C. Überprüfen Sie stets, ob die Klingen angeschlagen oder beschädigt sind und ersetzen Sie diese nach Bedarf

D. Wenn die Schnittklingen trüb und abgenutzt sind, sollten sie durch Ersatzklingen ersetzt werden, die mit Ihrem Landroid geliefert werden. Ersatzklingen sind auch bei Ihrem nächsten Landroid-Einzelhändler verfügbar

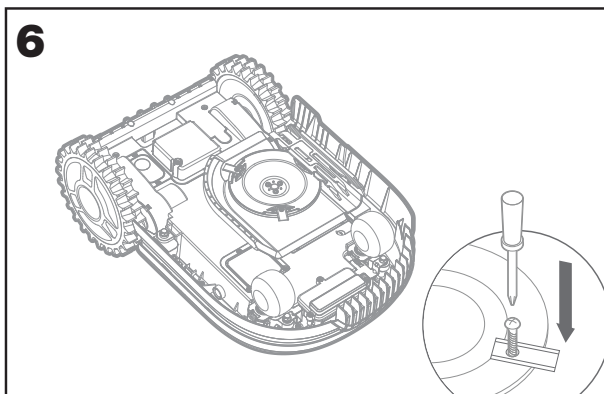
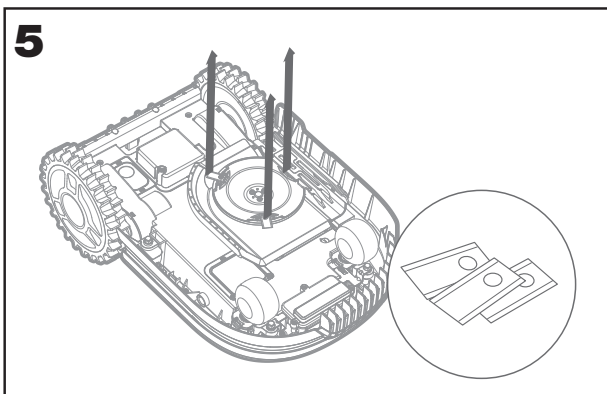
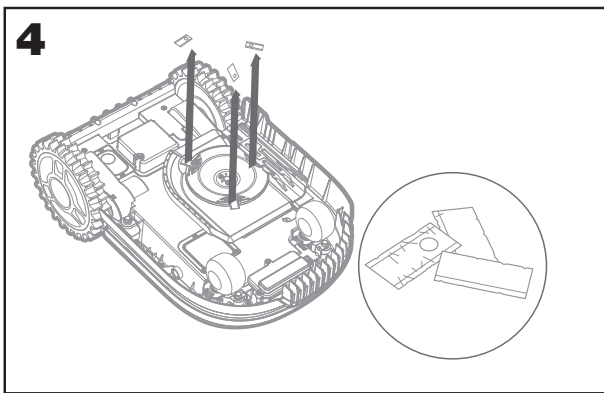
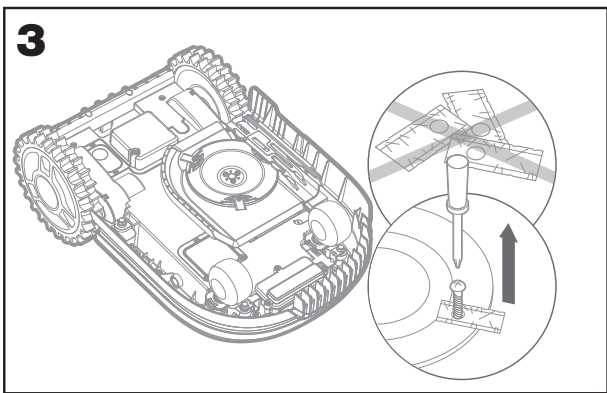
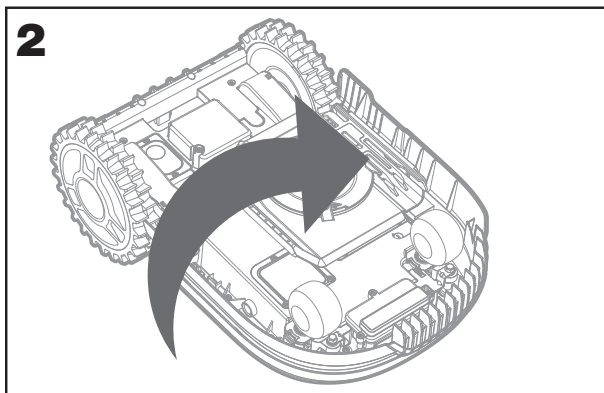
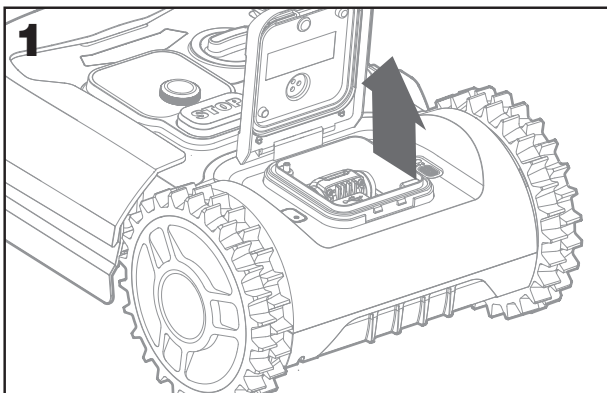
⚠️WARNUNG! Schalten Sie vor Reinigung, Anpassung oder Ersatz der Klingen Ihren Landroid OFF (Aus) und entfernen Sie den Akku. Tragen Sie immer Schutzhandschuhe.

1. Ersatz der Klingen

Entfernen Sie den Akku (Abb. 1) und drehen Sie den Landroid langsam herum (Abb. 2)

Schrauben Sie die Schrauben von den Klingen mit einem Schraubendreher (Abb. 3 - 4) ab

Schrauben Sie die neuen Klingen fest an (Abb. 5 - 6)



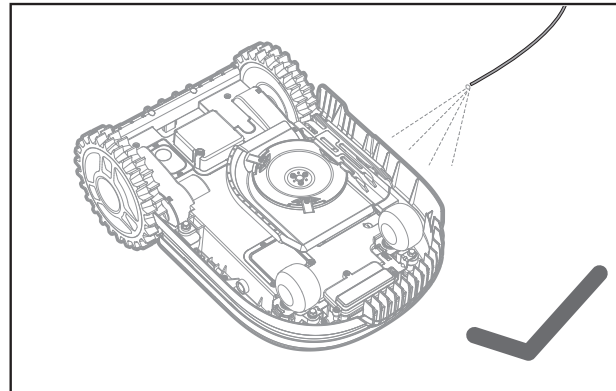
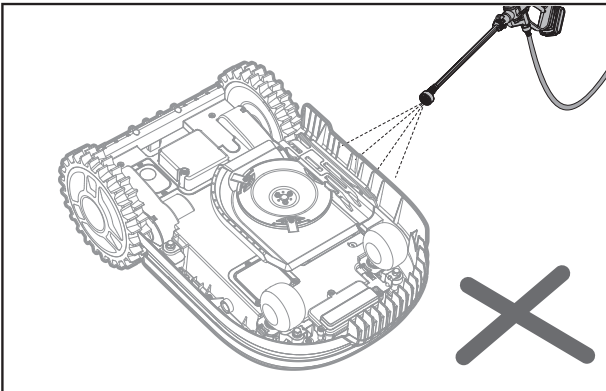
⚠Achtung: Wenn Sie neue Klingen anbringen, gehen Sie sicher, dass Sie ALLE Klingen auswechseln. Verwenden Sie immer neue Schrauben, wenn Sie Klingen anbringen. Dies ist wichtig, um die Klingen zu sichern und den Klingenteller auszugleichen. Wenn Sie keine neuen Schrauben verwenden, kann dies zu schwerwiegenden Verletzungen führen. Wichtig: Nachdem Sie die Klingen an den Klingenteller geschraubt haben, gehen Sie sicher, dass die Klingen frei rotieren können.

HALTEN SIE DEN LANDROID SAUBER

Ihr Landroid sollte regelmäßig gereinigt werden. Dies hilft dabei, den Landroid einsatzbereit zu halten, vor allem bei Entfernung von Schmutz, Verunreinigungen und Grasansammlung durch tägliches Mähen. Schalten Sie den Landroid aus, bevor Sie das Gerät reinigen. Entfernen Sie zur zusätzlichen Sicherheit den Akku.

⚠Achtung: Stellen Sie sicher, dass die Abdeckung des Akkupacks geschlossen ist, wenn Sie Ihr Landroid waschen.

⚠WARNUNG! IHR Landroid kann nur mit einem Schlauch gewaschen werden! Verwenden Sie KEINEN Hochdruckreiniger an Ihrem Landroid. Hochdruckwasser kann in die Dichtungen eindringen und elektronische und mechanische Teile beschädigen.



1. Reinigung des oberen Gehäuses

- A. Reinigen Sie es mit einer Sprühflasche voll Wasser. Verwenden Sie keine Lösungs- oder Poliermittel
- B. Verwenden Sie eine Bürste oder ein sauberes Tuch, um angesammelten Schmutz zu entfernen

2 Reinigung der Unterseite

- A. Drehen Sie den Landroid herum
- B. Entfernen Sie Verunreinigungen und Grasreste mit einer Bürste
- C. Seien Sie vorsichtig, nicht die Klingen mit Ihren Händen zu berühren. Tragen Sie zum Schutz Handschuhe
- D. Reinigen Sie den Klingenteller, das Gehäuse und die Räder sorgfältig mit einer weichen Bürste oder einem feuchten Lappen
- E. Drehen Sie den Klingenteller, um sicherzugehen, dass er frei rotiert. Entfernen Sie alle Hindernisse. Entfernen Sie alle feststehenden Verunreinigungen, sodass es keinen Riss im Klingenteller gibt. Schon der kleinste Riss beeinträchtigt die Mähleistung
- F. Überprüfen Sie, dass sich die Klingen frei um die Befestigungsschrauben drehen können. Entfernen Sie alle Hindernisse.

3. Reinigung der Antriebsräder

- A. Entfernen Sie Schmutz mit einer Bürste, um sicherzugehen, dass genügend Grip auf der Lauffläche vorhanden ist

4. Reinigung der Ladkontakte

- A. Reinigen Sie die Kontaktstifte auf der Ladestation und dem Ladestreifen auf dem Landroid mit einem Tuch.
- B. Entfernen Sie regelmäßig angesammelten Grasschnitt oder Verschmutzungen entlang der Kontaktstifte und des Ladestreifen, um sicherzugehen, dass der Landroid sich jedes Mal erfolgreich aufladen kann

HALTEN SIE DEN AKKU AUFGELADEN

Herzstück des Landroid ist sein 20 V Lithium-Ionen Worx Powershare Akku

- A. Stellen Sie zur richtigen Lagerung des Akkus sicher, dass dieser vollständig geladen ist und an einem trockenen und kühlen Ort
- B. Die empfohlene Betriebstemperatur des Landroid liegt zwischen 0°C und 55°C
- C. Die Lebensdauer des Akkus des Landroid ist abhängig von den Nutzungsstunden und der Nutzungslänge während der Mähseason

1. Der Landroid kann manuell ohne Begrenzungsdraht geladen werden

- A. Verbinden Sie die Ladestation mit einem geeigneten Netzteil. Das grüne Licht auf der Ladestation geht an
- B. Verbinden Sie den Landroid manuell mit der Ladestation, während der Landroid ausgeschaltet ist
- C. Das grüne Licht auf der Ladestation wird blinken und der Landroid beginnt mit dem Ladevorgang

HALTEN SIE DAS GERÄT IM WINTER SICHER

Obwohl der Landroid dafür konzipiert und gebaut ist, die schwierigsten Witterungsbedingungen zu überstehen, empfehlen wir Ihnen, das Gerät in Ihrem Schuppen oder Garage während dem Winter zu verwahren. Zur Vorbereitung der Winterruhe:

- A. Reinigen Sie das Gerät vollständig
- B. Laden Sie den Akku vollständig

C. Schalten Sie das Gerät aus

1. Rückkehr zur Arbeit im Frühling

Wenn es Zeit ist, den Landroid wieder in einer neuen Saison einzusetzen, führen Sie bitte vorher die folgenden Checks durch:

- A. Aktualisieren Sie die Zeit und das Datum über die App
- B. Wenn Sie Anzeichen von Oxidation an den Ladekontakten des Landroids und an der Ladestation erkennen, reinigen Sie diese mit feinkörnigem Schleifpapier
- C. Laden Sie den Akku vor dem Betrieb vollständig auf

HALTEN SIE DIE SOFTWARE AKTUELL

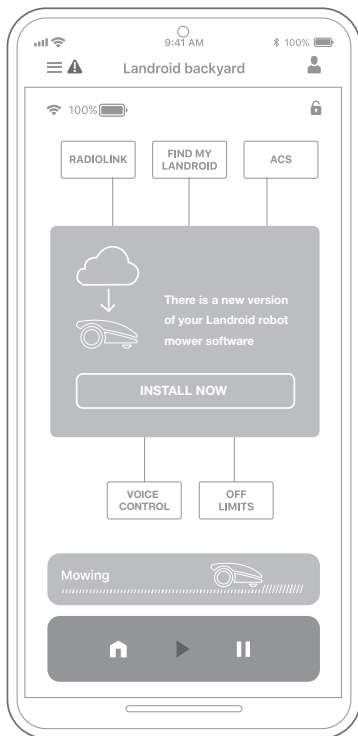
Der Landroid wird stetig verbessert. Neue Softwareversionen werden kostenlos zur Verfügung gestellt. Halten Sie den Landroid immer aktualisiert, um die beste Leistung aus Ihrem Gerät zu holen.

1. Over-the-Air (OTA) Updates

Wenn Ihr Landroid mit Ihrem WLAN-Netzwerk verbunden ist, werden Sie über die App informiert, wenn neue Software verfügbar ist. Sobald Sie dies bestätigen, wird das Update automatisch über die Over-the-Air-Funktion ausgeführt.

2. Überprüfen Sie, welche Softwareversion Sie haben.

Die Nummer der Softwareversion wird beim Einschalten des Landroid angezeigt.



3. Manuelle Updates

- A. Wenn Ihr Landroid nicht mit Ihrem WLAN-Netzwerk verbunden ist, können Sie ihn immer noch auf die aktuellste Softwareversion über einen USB-Stick aktualisieren
- B. Besuchen Sie regelmäßig die Worx Landroid Website zur Überprüfung, ob eine neue Version verfügbar ist. Wenn Sie sich in den Landroid E-Mail-Verteiler eingeschrieben haben, werden Sie benachrichtigt, wenn eine neue Version verfügbar ist
- C. Laden Sie die aktuellste Version von unserer Homepage herunter
- D. Nehmen Sie einen leeren USB-Stick im FAT32-Format
- E. Speichern Sie die ZIP-Datei und entpacken Sie den Inhalt auf Ihrem USB-Stick
- F. Stellen Sie den Landroid auf eine sichere und ebene Oberfläche
- G. Schalten Sie den Landroid aus
- H. Gehen Sie zur Rückseite des Landroid, um auf die USB-Schnittstelle zugreifen zu können.
- I. Fügen Sie den USB-Stick in die Schnittstelle ein
- J. Stellen Sie den Landroid erneut auf den Rasen und inmitten des durch das Grenzkabel begrenzten Arbeitsbereiches
- K. Schalten Sie den Landroid ein
- L. Ohne Landroid zu heben, entfernen Sie den USB-Speicherstick, wenn "Bitte entfernen Sie den USB-Stick" angezeigt wird.
- M. Das Update wird sofort beginnen und kann eine Weile dauern. Der Landroid wird automatisch neu gestartet, nachdem das Update abgeschlossen ist


HINWEIS: Gehen Sie sicher, dass sich der Landroid innerhalb des Grenzkabels befindet, wenn der Landroid erneut gestartet wird.

BETRIEBSMELDUNGEN

NACHRICHT LANDROID AKTION	NACHRICHT LANDROID AKTION
Gras schneiden	Gras nach dem Mähplan schneiden.
Regen	Der Regensensor erkennt Wasser. Landroid kehrt zur Ladestation zurück und bleibt dort für die Zeit, die Sie dafür programmiert haben. Nach dem Trocknen startet Landroid automatisch den Countdown für die Regenverzögerung und kehrt dann zum Mähen zurück. Wenn Sie möchten, dass Landroid vorher mäht, schalten Sie es einfach aus und wieder ein, jedoch nur, wenn der Regensensor trocken ist, oder Sie können die Regenverzögerung vollständig entfernen, indem Sie die Regenverzögerungszeit auf Null setzen.
Nach Hause gehen	Muss aufgeladen werden - während der Fahrt zur Basis wird das Schneidmesser angehalten
Aufladen	"Aufladen" und Ladeprozentsatz werden angezeigt.
Keine Arbeitszeit geplant	Standby muss wie gewünscht programmiert werden.
Keine Arbeit heute	Der Standby-Modus startet gemäß dem Mähplan.
Geleistete Arbeit heute	
Zonensuche	Gemäß der Einstellung „Arbeitszone anpassen" sucht Landroid nach einer bestimmten
Ladevorgang vollendet	Landroid hat den Ladevorgang abgeschlossen.
Notladung	Notladung Landroid wird im ausgeschalteten Zustand aufgeladen.

FEHLERMITTEILUNGEN

Manchmal kann etwas schief gehen. Glücklicherweise ist der Landroid schlau genug, um Ihnen mitzuteilen, wenn es ein Problem gibt, sodass Sie dieses beheben können. Im Zweifelsfall besuchen Sie bitte unsere Website, auf der Sie hilfreiche Videos und anderes Material finden.

MITTEILUNG	GRUND	AKTION
	Abdeckung des Akkupacks ist nicht geschlossen	Schließen Sie die Abdeckung des Akkupacks.
Außerhalb des Arbeitsbereichs! Drücken Sie "START" zum Zurücksetzen	Der Landroid kann den Begrenzungsdraht nicht finden.	1. Wenn sich der Landroid außerhalb des Mähbereichs befindet: Schalten Sie das Gerät aus, tragen Sie den Landroid in den Mähbereich, schalten Sie das Gerät ein und drücken Sie dann Start. 2. Wenn sich der Landroid innerhalb seines Mähbereichs befindet, überprüfen Sie, ob die LED auf der Ladestation grün erleuchtet ist. Wenn die LED rot leuchtet, überprüfen Sie, dass das Grenzkabel richtig mit der Ladestation verbunden ist und dass die Station mit einem geeigneten Netzteil verbunden ist. Wenn die Teile richtig verbunden sind, sind die Enden des Begrenzungsdrahts falsch befestigt und müssen vertauscht werden.
FALSCHER PIN! Bitte erneut versuchen	Der PIN-Code ist falsch.	Geben Sie den richtigen PIN-Code ein oder setzen Sie Ihren PIN-Code zurück.
Fehler beim Klingemotor! Drücken Sie "START" zum Zurücksetzen	Der Messerteller wird durch ein Objekt, bspw. einen Zweig, blockiert.	Schalten Sie das Gerät aus. Drehen Sie den Landroid herum und überprüfen Sie, ob etwas den Klingenteller von der Rotation abhält und entfernen Sie alle Hindernisse. Drehen Sie den Landroid wieder richtig herum. Schalten Sie das Gerät ein. Drücken Sie Start.
	Die Klinge ist mit dickem, dichtem Gras verstopft.	Schalten Sie das Gerät aus. Tragen Sie den Landroid in einen Bereich mit kurzer Graslänge oder passen Sie die Schnitthöhe an. Schalten Sie das Gerät ein. Drücken Sie Start.

<p>Fehler bei Radmotoren! Drücken Sie "START" zum Zurücksetzen.</p>	<p>Der Radmotor ist blockiert.</p>	<p>Schalten Sie das Gerät aus und tragen Sie den Landroid zu einem Bereich ohne Hindernisse. Schalten Sie das Gerät ein. Drücken Sie Start. Wenn die Fehlermeldung immer noch angezeigt wird, schalten Sie das Gerät aus. Drehen Sie den Landroid herum und überprüfen Sie, ob es etwas gibt, das die Räder von der Rotation abhält. Entfernen Sie alle Hindernisse, drehen Sie den Landroid richtig herum und schalten Sie das Gerät ein.</p>
<p>Umgedreht! Drücken Sie "START" zum Zurücksetzen.</p>	<p>Dies könnte passiert sein, wenn der Landroid in Kontakt mit einer schrägen Oberfläche gekommen ist, was ihn zum umkippen gebracht hat.</p>	<p>Drehen Sie den Landroid richtig herum und entfernen Sie alle Hindernisse, die das Umkippen des Landroid verursacht haben könnten.</p>
<p>Mäher festgefahren! Drücken Sie "START" zum Zurücksetzen.</p>	<p>Der Landroid ist festgefahren.</p>	<p>Schalten Sie das Gerät aus. Tragen Sie den Landroid in einen Bereich Ihres Rasens, der frei von Hindernissen ist und schalten Sie das Gerät dann ein. Drücken Sie Start. Wenn die Fehlermeldung immer noch angezeigt wird: Schalten Sie das Gerät aus und drehen Sie den Landroid um. Überprüfen Sie, ob es etwas gibt, das die Räder von einer Rotation abhält. Entfernen Sie alle Hindernisse, drehen Sie den Landroid herum und schalten Sie das Gerät ein.</p>
<p>Mäher angehoben! Drücken Sie "START" zum Zurücksetzen.</p>	<p>Der Landroid wurde angehoben.</p>	<p>Schalten Sie das Gerät aus. Tragen Sie den Landroid in einen Bereich, der frei von Hindernissen ist und schalten Sie das Gerät ein. Drücken Sie Start. Wenn die Fehlermeldung immer noch angezeigt wird: Schalten Sie das Gerät aus und drehen Sie den Landroid herum und überprüfen Sie alles, was den Landroid anheben lassen könnte. Entfernen Sie alle möglichen Objekte, drehen Sie den Landroid herum und schalten Sie das Gerät ein.</p>
<p>Akkuspannung zu niedrig! Bitte wechseln Sie den Akku.</p>	<p>Akku ist entladen.</p>	<p>In diesem Fall müssen Sie den Landroid ausschalten und das Gerät auf seine Ladestation setzen. Danach wird 'Emergency charging' angezeigt und der Ladevorgang beginnt. Wenn der Akkufehler weiterhin besteht, ist Ihr Akku beschädigt und muss ersetzt werden.</p>
<p>Kabel fehlt! Drücken Sie "START" zum Zurücksetzen.</p>	<p>Das Gerät kann den Begrenzungsdraht nicht finden.</p>	<p>Wenn die LED rot leuchtet, überprüfen Sie den Begrenzungsdraht auf richtigen Anschluss an die Klemmen der Ladestation. Wenn das Problem weiterhin besteht, überprüfen Sie, dass das Grenzkabel nicht durchtrennt ist.</p>
<p>Akkutemperatur außerhalb des Bereichs! Bitte warten.</p>	<p>Die Temperatur ist beim Aufladen zu hoch (mehr als 55°C) oder zu niedrig (weniger als 0°C).</p>	<p>Positionieren Sie die Ladestation in einem schattigen Bereich oder warten Sie, bis diese die normale Betriebstemperatur erreicht hat.</p>
<p>Ladestation kann nicht gefunden werden! Drücken Sie "START" zum Zurücksetzen.</p>	<p>Das Grenzkabel liegt weiter weg, als die maximale Länge (350 m) es erlaubt oder das Gerät hat nicht genug Energie, um zurück zur Ladestation zu gelangen.</p>	<p>Tragen Sie den Landroid zu seiner Ladestation zurück.</p>
<p>Mäher gesperrt!</p>	<p>Wenn bei aktivierter 'Sperrung' Ihr Landroid für 3 Tage kein Signal vom WLAN-Router empfängt, wird er als Sicherheitsmaßnahme gesperrt. Dies kann der Fall sein, wenn Ihr Router keinen Strom mehr bekommt oder wenn Sie Ihren WLAN-Router oder Netzwerk-Anbieter gewechselt haben.</p>	<p>Bitte verbinden Sie den Landroid wieder mit dem WLAN-Netzwerk, mit dem das Gerät ursprünglich gekoppelt wurde. Wenn dies nicht möglich ist, kontaktieren Sie den Kundendienst.</p>

HINWEISE


- A. Bevor Sie das Gerät einschalten, überprüfen Sie immer, dass sich der Landroid innerhalb des Mähbereichs befindet. Wenn nicht, wird die Mitteilung "Außerhalb des Arbeitsbereichs! Drücken Sie "START" zum Zurücksetzen" angezeigt. Diese Mitteilung wird auch angezeigt, wenn sich der Landroid teilweise aber nicht vollständig im Mähbereich befindet
- B. Wenn Sie aus irgendeinem Grund - d. h. einer Party, spielenden Kindern... - Ihren Landroid in der Ladestation parken wollen: Drücken Sie home und dann OK. Der Landroid wird zu seiner Ladestation fahren und dort bleiben. Bitte beachten Sie, dass der Landroid jetzt warten wird, bis der nächste, geplante Mähvorgang beginnt. Wenn Sie den Landroid erneut starten wollen, drücken Sie Start und dann OK
- C. Wenn eine Fehlermeldung wiederholt im gleichen Bereich Ihres Rasens auftritt, könnten Sie ein Problem mit dem Begrenzungsdraht haben. Sehen Sie sich dann bitte die Installationsanweisungen an und überprüfen Sie, ob Ihr Installation richtig ist
- D. Wenn Ihr Rasen in zwei getrennte Bereiche unterteilt und mit einem Verbindungsstück von weniger als 1m verbunden ist und ein Bereich davon nicht durch die Ladestation versorgt wird: Wenn sich der Landroid nicht mehr im Arbeitsbereich befindet, tragen Sie das Gerät manuell zur Ladestation zurück
- E. Wenn der Landroid von Zeit zu Zeit nicht normal arbeitet, setzen Sie das Gerät bitte zurück, indem Sie es ausschalten und den Akku für 30 Sekunden entfernen. Starten Sie ihn dann erneut. Wenn das Problem nicht behoben werden kann, kontaktieren Sie bitte den Kundendienst

FEHLERBEHEBUNG

Wenn Ihr Landroid nicht ordnungsgemäß funktioniert, folgen Sie bitte den folgenden Anweisungen zur Fehlerbehebung. Wenn der Fehler weiterhin besteht, kontaktieren Sie den Kundendienst.

SYMPTOM	GRUND	LÖSUNG
Die LED an der Ladestation geht nicht an.	Es ist kein Strom vorhanden.	Überprüfen Sie, dass die Ladestation ordnungsgemäß an das Steckdose und das Netzteil an eine Steckdose angeschlossen ist.
Die LED an der Ladestation leuchtet rot.	Der Begrenzungsdraht ist nicht angeschlossen.	Überprüfen Sie, dass der Begrenzungsdraht richtig an die Ladestation angeschlossen wurde. Überprüfen Sie, dass es keine Beschädigungen am Draht gibt.
Der Landroid bewegt sich, aber der Messerteller dreht sich nicht.	Der Landroid sucht nach der Ladestation.	Das ist normal: Wenn der Landroid aufgeladen werden muss, rotiert der Messerteller nicht, um den Akku zu schonen.
Der Landroid vibriert.	Der Klingenteller ist nicht ausgeglichen. Die Klinsen könnten beschädigt sein.	Überprüfen Sie die Klinsen und ersetzen Sie sie bei Beschädigungen. Entfernen Sie Verschmutzungen und fremde Objekte von den Klinsen und dem Messerteller.
Das Gras wird nicht einheitlich geschnitten.	Der Landroid arbeitet nicht genug Stunden pro Tag, um das Gras zu schneiden.	Versuchen Sie, mehr Stunden zum Mähprogramm hinzuzufügen.
	Der Mähbereich ist zu groß für die Landroid-Größe, die Sie haben.	Versuchen Sie, die Größe des Mähbereichs zu verringern oder Erhöhung der Arbeitszeit
	Die Klinsen sind stumpf und nicht scharf.	Wechseln Sie alle Klinsen und Schrauben, um den Klingenteller auszugleichen.
	Die Schnitthöhe ist für die Graslänge zu niedrig eingestellt.	Erhöhen Sie die Schnitthöhe und gehen Sie dann Schrittweise damit herunter.
	Gras oder ein anderes Objekt hat sich um den Teller gewickelt.	Überprüfen Sie den Klingenteller und entfernen Sie Gras oder andere Objekte, die vielleicht den Drehvorgang verhindern könnten.
	Es hat sich Gras im Messerteller oder dem Motorrahmen angesammelt.	Gehen Sie sicher, dass der Klingenteller leicht rotieren kann. Bei Bedarf können Sie den Messerteller abnehmen und die Verschmutzung dann entfernen.
Ihr Landroid befindet sich innerhalb des Arbeitsbereichs und das Begrenzungskabel ist angeschlossen, aber das Display besagt Außerhalb des Arbeitsbereichs! Zurücksetzen auf „START“ drücken.	Die Enden des Grenzkabels sind nicht richtig angeschlossen.	Vertauschen Sie die Enden des Grenzkabels und schließen Sie es wieder an die Ladestation an.

Die Ladezeit ist weitaus größer als die angegebene Ladezeit.	Schlechte Verbindung aufgrund von Verschmutzungen auf dem Ladestreifen.	Reinigen Sie die Kontaktstifte auf der Ladestation und dem Ladestreifen auf dem Landroid mit einem Tuch.
	Das Ladeschutzprogramm wird aufgrund hoher Temperatur aktiviert.	Stellen Sie die Ladestation in einen schattigen Bereich oder warten Sie bis die Temperatur sich verringert hat.
Der Rasenmäher lädt nicht.	Es ist kein Strom vorhanden.	Überprüfen Sie, dass das Netzkabel ordnungsgemäß an das Netzteil und das Netzteil an eine Steckdose angeschlossen ist. Gehen Sie sicher, dass die Ladestreifen und der Rasenmäher mittig die Kontaktstreifen auf der Ladestation berühren.
Der Landroid weist immer kürzere Laufzeiten zwischen den Ladezyklen auf.	Etwas verstopft den Klingenteller und verursacht Reibung und dadurch einen erhöhten Stromverbrauch.	Nehmen Sie den Klingenteller ab und reinigen Sie diesen. Vielleicht ist das Gras zu hoch und zu dick.
	Der Landroid vibriert stark, da der Klingenteller unausgeglichen ist.	Überprüfen Sie den Messerteller und die Klingen, und entfernen Sie Verschmutzungen und fremde Objekte von den Klingen und dem Messerteller. Ersetzen Sie die Klingen mit einem neuen Satz.
	Der Akku kann verbraucht oder alt sein.	Wechseln Sie den Akku.
	Arbeitszeit ist aufgebraucht	Arbeitszeit zurücksetzen
Der Landroid arbeitet nicht zur richtigen Zeit.	Die Uhrzeit ist nicht richtig eingestellt.	Stellen Sie die Uhr auf die richtige Zeit ein.
	Die programmierten Schnittzeiten für den Landroid sind nicht richtig.	Ändern Sie die Zeiteinstellungen für den Rasenmäher für den Start- und Stoppvorgang.
	Der von der festgelegte Prozentsatz der wöchentlichen Laufzeit App hat sich geändert.	Stellen Sie den korrekten Prozentsatz über die APP.
Der Landroid kann nicht richtig an die Ladestation angeschlossen werden.	Umwelteinflüsse.	Starten Sie den Landroid erneut.
	Schlechte Verbindung aufgrund von Verschmutzungen auf dem Ladestreifen.	Reinigen Sie die Kontaktstifte auf der Ladestation und dem Ladestreifen auf dem Landroid mit einem Tuch.
Das grüne Licht auf der Ladestation geht an bevor der Ladevorgang abgeschlossen ist.	Ladestation ist überhitzt oder unterkühlt	Positionieren Sie die Ladebasis in einem schattigen Bereich oder warten Sie, bis diese die normale Betriebstemperatur erreicht hat.
Die Räder des Landroid drehen durch oder rutschen wiederholt ab.	Fremde Objekte wie Zweige und Äste könnten unter dem Landroid liegen.	Entfernen Sie fremde Objekte von der Unterseite des Landroid.
	Der Rasen ist zu nass.	Warten Sie, bis der Rasen trocken ist.
Der Landroid fährt außerhalb des Mähbereichs. Der Landroid mäht keinen Bereich innerhalb des Mähbereichs. Der Landroid kehrt um oder rotiert sprunghaft in der Nähe des Begrenzungsdrahts.	Das Grenzkabel eines anderen Landroids oder Mähroboters befindet sich zu nah.	Gehen sicher, dass mindestens 1m Abstand zwischen Ihrem Begrenzungsdraht und dem Ihres Nachbarn liegt.
	Bei feuchter Umgebung kann das elektrische Signal des Begrenzungsdrahts dort verloren gehen, wo der Draht verbunden oder falsch repariert wurde.	Überprüfen Sie die Begrenzungsdrahtverbindungen. Isolieren Sie es, um eine vollständig wasserdichte Verbindung zu garantieren.
	Aufgrund einer fehlerhaften Isolierung liegt ein elektrischer Signalverlust am Begrenzungsdraht vor.	Reparieren Sie beschädigten Begrenzungsdraht mit den mitgelieferten Drahtverbindungsadaptern.
Der Landroid rutscht außerhalb seines Mähbereichs, wenn er einen Berg hinabfährt.	Niedrige Griffigkeit der Antriebsräder des Landroids.	Überprüfen Sie bitte, dass die Räder sauber und frei von Schmutz sind, um eine maximal mögliche Griffigkeit zu garantieren.
Das Betriebssystem des Landroid stürzt ab, wenn es sich im Lade- oder Standby-by-Zustand befindet.	Software- oder Displayfehler.	Starten Sie den Landroid erneut.

Der Landroid schaltet sich ab, wenn er in die Ladestation fährt.	Der Landroid kann nicht aufgrund der Übertemperaturschutzfunktion geladen werden und ist ausgeschaltet.	Stellen Sie die Ladestation in einen schattigen Bereich oder warten Sie bis die Temperatur sich verringert hat.
	Schlechte Verbindung.	Überprüfen Sie das LED-Licht auf der Ladestation. Überprüfen Sie die Verbindung zwischen den Kontaktstiften auf der Ladestation und dem Ladestreifen.
Der Landroid stoppt im Mähbereich.	Es gibt ein Hindernis im Mähbereich.	Entfernen Sie das Hindernis vom Mähbereich des Landroid.
	Die Schnitthöhe ist für die Graslänge zu niedrig eingestellt oder das Gras ist zu dicht.	Erhöhen Sie die Schnitthöhe und gehen Sie dann Schrittweise damit herunter.
	Der verlängerte Begrenzungsdraht 300m nicht überschreiten oder es kann ein Signalproblem vorliegen.	Verringern Sie die Länge des Begrenzungsdrahts.
	Der Abstand zwischen der Rasenmitte und dem Begrenzungsdraht darf 25m nicht überschreiten oder eine Signalabschwächung kann auftreten.	Verringern Sie den Abstand zwischen der Rasenmitte und dem Begrenzungsdraht auf 25m.
Der Landroid dreht sich um.	Es liegt ein Neigungshindernis im Rasen vor.	Entfernen Sie das Hindernis vom Mähbereich des Landroid.
Der Landroid kann sich nicht mit dem Internet verbinden.	Überprüfen Sie bitte, dass der Router die richtigen Einstellungen aufweist.	Gehen Sie sicher, dass Ihr Router 2,4 GHz besitzt. Wenn Ihr Router zwei Einstellungen hat, aktivieren Sie bitte nur den 2,4-GHz-Frequenzbereich. Gehen sicher, dass Ihr Router auf den 802.11 Modus eingestellt und die WLAN Einstellung b/g/n gemischt ist. Gehen Sie sicher, dass Ihr Router die SSID-Broadcast-Funktion aktiviert hat, wenn Sie das Gerät mit der App verbinden. Sie können es deaktivieren, nachdem Sie es erfolgreich verbunden haben. Gehen Sie sicher, dass die DHCP-Funktion aktiviert ist. Wenn Sie Ihr WLAN-Netzwerk gewechselt haben, müssen Sie den Landroid mit dem neuen Netzwerk verbinden. Wenn Sie einen „Fritz!box“-Router haben, gehen Sie bitte sicher, dass Sie „Verbindung zwischen Geräten im selben Netzwerk ermöglichen“ in den Einstellungen aktiviert haben.
		Bitte prüfen Sie, ob der Router getrennt oder die SSID des WLANs geändert wurde
Ihr Landroid piept, wenn Sie „Monat / Stunde / Minute“ einstellen.	Es ist normal	Gegen den Uhrzeigersinn  einstellen.

Umweltschutz



Elektronische Abfallprodukte dürfen nicht im Hausmüll entsorgt werden. Bitte entsorgen Sie Elektrogeräte in den dafür vorgesehenen.Betrieben. Fragen Sie Ihre örtliche Behörde oder Einzelhändler nach der richtigen Entsorgungsweise.

KONFORMITÄTSERKLÄRUNG

Wir,
Positec Germany GmbH
Grüner Weg 10, 50825 Cologne, Germany

Erklären im Namen von Positec, dass das Produkt
Beschreibung **Roboter-Rasenmäher**
Typ **WR165E WR167E WR147E.1 WR148E (100-199 - designation of machinery, representative of Robotic Lawnmower) (Serial number is placed on the back page) with battery charger WA3775 / WA3776 /WA3750.1/ WA3755.1 and charging base WA4002.1**
Funktion **Grasschnitt**

Den Bestimmungen der folgenden Richtlinien entspricht:
2006/42/EC, 2014/30/EU, 2014/35/EU, 2011/65/EU&(EU)2015/863, 2000/14/EC geändert durch 2005/88/EC, 2014/53/EU

WR165E WR167E

2000/14/EC geändert durch 2005/88/EC
- Konformitätsbewertungsverfahren nach **Anhang V**
- Gemessene Schalleistung **65.5 dB (A)**
- Garantierte Schalleistung **67 dB (A)**

WR148E WR147E.1

2000/14/EC geändert durch 2005/88/EC
- Konformitätsbewertungsverfahren nach **Anhang V**
- Gemessene Schalleistung **61.56 dB (A)**
- Garantierte Schalleistung **63 dB (A)**

Zertifizierungsstelle

Name: Intertek, Semko AB notifizierte Stelle 0413)
Anschrift: Torshamnsgatan 43164 22 Kista Sweden
Bescheinigungsnummer: 201002326SHA-V1

Normen,

**EN 60335-1:2012+A11+A13+A1+A14+A2:2019, EN 50636-2-107:2015+A1+A2:2020,
EN 60335-2-29:2004+A2+A11:2018, EN 62233:2008, EN 55014-1:2017+A11:2020,
EN 55014-2:2015, EN IEC 61000-3-2:2019, EN 61000-3-3:2013+A1:2019, EN ISO 3744:2005,
EN 300 328 V2.2.2, EN 301 489-1 V2.2.3, EN 301 489-17 V3.2.4, EN IEC 62311:2020,
EN 61558-1:2005+A1:2009, EN 61558-2-16:2009+A1:2013, EN 55011:2016+A11:2020,
EN 303 447 V1.1.1, EN 55032:2015+A11:2020, EN 55035:2017+A11:2020**

Zur Kompilierung der technischen Datei ermächtigte Person,

Name Marcel Filz
Anschrift Positec Germany GmbH, Grüner Weg 10, 50825 Cologne, Germany



2020/12/02
Allen Ding
Stellvertretender Chefsingenieur, Prüfung und Zertifizierung
Positec Technology (China) Co., Ltd
18, Dongwang Road, Suzhou Industrial
Park, Jiangsu 215123, P. R. China

SÉCURITÉ DU PRODUIT MISES EN GARDE GÉNÉRALES ET COMPLÉMENTAIRES

⚠ ATTENTION: Lisez toutes les mises en garde et toutes les instructions. *Le non-respect des mises en garde et des instructions peut être à l'origine d'électrocutions, d'incendies et/ou de blessures graves*

Lisez attentivement le manuel d'utilisation afin d'utiliser l'appareil d'une manière sécurisée.

Gardez le mode d'emploi et les mises en garde pour pouvoir vous y référer ultérieurement.

- Cet appareil n'est pas conçu pour être utilisé par des personnes aux capacités physiques, mentales, sensorielles réduites, ou manquant d'expérience et de connaissances (y compris les enfants), sauf si une personne responsable de leur sécurité leur a donné les indications nécessaires ou les surveille pendant l'utilisation.

- Il convient de surveiller les enfants pour s'assurer qu'ils ne jouent pas avec l'appareil.

- L'appareil ne doit être utilisé qu'avec l'alimentation fournie avec celui-ci.

- Cet appareil contient des batteries qui peuvent être remplacées uniquement par des personnes qualifiées.

AVERTISSEMENT: Pour recharger la batterie, utilisez uniquement l'unité d'alimentation amovible avec cet appareil.

AVERTISSEMENT: pour réduire les risques de blessures aux personnes et de dommages matériels, ne retirez pas le module batterie avant d'éteindre la machine.

IMPORTANT

**LISEZ ATTENTIVEMENT LE MODE D'EMPLOI AVANT D'UTILISER L'APPAREIL
CONSERVEZ-LE POUR RÉFÉRENCE ULTÉRIEURE**

Pratiques de travail sûres

Apprentissage

- Lisez attentivement le mode d'emploi. Vous devez impérativement comprendre les instructions et vous familiariser avec les contrôles et le mode d'utilisation de l'appareil.
- Ne laissez en aucun cas l'appareil à un enfant ou à une personne n'ayant pas pris connaissance du mode d'emploi. Les réglementations locales définissent parfois des limites d'âge pour l'utilisateur.
- L'utilisateur est responsable des accidents et des dommages causés à d'autres personnes ou à leurs biens.

Préparation

- Veillez à ce que le câble périphérique soit correctement installé en suivant les instructions.
- Inspectez régulièrement la zone où l'appareil doit être utilisé et enlevez toutes les pierres, tous les bâtons, câbles, os et autres objets étrangers.
- Procédez régulièrement à un examen visuel des lames, des boulons de lame et de l'unité de coupe pour vous assurer qu'ils ne sont ni usés, ni endommagés. Afin de préserver l'équilibre de la machine, changez toujours les lames et leurs boulons en même temps.
- Sur les appareils comportant plusieurs arbres, veuillez noter que la rotation d'une lame peut entraîner la rotation des autres lames.
- ATTENTION:** Ne faites jamais fonctionner l'appareil si l'une de ses protections est défectueuse ou si l'un de ses dispositifs de sécurité n'est pas en place.

Utilisation

1. Généralités

- Ne faites jamais fonctionner l'appareil si l'une de ses protections est défectueuse ou si l'un de ses dispositifs de sécurité n'est pas en place (ex: les déflecteurs).
- N'approchez jamais les mains ou les pieds des parties rotatives, et ne les mettez jamais sous l'appareil. Ne vous mettez jamais en travers de l'ouverture d'évacuation.
- Ne soulevez jamais et ne portez jamais une tondeuse dont le moteur est en marche.

- d) Actionnez le dispositif de désactivation de l'appareil.
 - Avant de le débloquer;
 - Avant d'inspecter, de nettoyer ou de travailler sur l'appareil.
- e) Il n'est pas permis de modifier le design d'origine du robot tondeuse. Toute modification effectuée est à vos risques et périls.
- f) Démarrer la tondeuse à gazon robotique conformément aux instructions. Lorsque la touche d'alimentation est allumée, veillez à garder vos mains et pieds loin des lames pivotantes. Ne jamais mettre vos mains ou pieds sous la tondeuse.
- g) Ne jamais soulever la tondeuse à gazon robotique ou la porter tant que la touche d'alimentation est allumée.
- h) Ne laissez en aucun cas la tondeuse à une personne non familiarisée avec l'appareil et son mode d'utilisation.
- i) Ne posez jamais des objets sur le robot ou sur le socle de recharge.
- j) Ne faites jamais fonctionner le robot si le boîtier ou l'une des lames sont endommagés. L'appareil ne doit pas être utilisé si les lames, les vis, les écrous ou les câbles sont endommagés.
- k) Toujours éteindre la tondeuse à gazon robotique lorsque vous n'avez pas l'intention de l'utiliser. La tondeuse à gazon robotique ne peut démarrer que lorsque la touche d'alimentation est allumée et que le code PIN correct a été saisi.
- l) Maintenez vos mains et pieds éloignés des lames rotatives. Ne placez jamais vos mains ou pieds à proximité ou sous le corps lorsque la tondeuse automatique est en marche.
- m) Éviter d'utiliser la machine et ses périphériques dans de mauvaises conditions météorologiques, en particulier, lorsqu'il existe un risque d'éclair.
- n) Ne pas toucher de pièces mobiles dangereuses avant que celles-ci ne s'arrêtent complètement.
- o) Pour les machines utilisées dans des zones publiques, des panneaux d'avertissement doivent être placés autour de la zone de travail de la machine. Le contenu du texte ci-dessus doit être compris: **Alerte! Tondeuse automatique! Tenir à l'écart de la machine! Attention aux enfants!**

2. Mise en garde complémentaire en cas de fonctionnement automatique

- a) Ne laissez pas la machine fonctionner sans surveillance si vous savez que des personnes (notamment des enfants) ou des animaux domestiques se trouvent à proximité.

Entretien et rangement

AVERTISSEMENT! Lorsque la tondeuse est retournée, la touche d'alimentation doit toujours être éteinte.

La touche d'alimentation doit être éteinte pendant tous les travaux sur le châssis de base de la tondeuse, tels que le nettoyage ou le remplacement des lames.

- a) Veillez à ce que tous les écrous, vis et boulons soient bien serrés, afin de vous assurer que l'appareil reste en bon état de marche.
- b) Inspectez le robot tondeuse régulièrement et, par sécurité, remplacez toute pièce usée ou endommagée.
- c) Assurez-vous que les lames et le disque de coupe ne sont pas endommagés. Afin d'assurer l'équilibre des pièces rotatives, changez toujours les lames et les vis en même temps.
- d) Les accessoires de coupe de rechange doivent impérativement être du même type que ceux d'origine.
- e) Rechargez toujours la batterie avec le chargeur fourni par le fabricant. Toute utilisation incorrecte peut être à l'origine d'un choc électrique, d'une surchauffe ou d'une fuite du liquide corrosif de la batterie.
- f) En cas de fuite d'électrolyte et de contact avec les yeux, rincez abondamment avec de l'eau ou un agent neutralisant et appelez les urgences.
- g) Toute réparation sur l'appareil doit s'effectuer d'une manière conforme aux instructions du fabricant.

Recommandation

Connecter uniquement la machine et/ou ses périphériques à un circuit d'alimentation protégé par un dispositif de courant résiduel (RCD) avec un courant de déclenchement ne dépassant pas 30mA.

Risques résiduels

Pour éviter les blessures, porter des gants de protection lors du remplacement des lames.

Déplacer l'appareil

Utilisez l'emballage d'origine pour transporter le robot sur de longues distances.

Pour déplacer l'appareil de ou vers la zone de travail en toute sécurité:

- a) Appuyez sur le bouton STOP pour arrêter la tondeuse.
Vous choisissez un code PIN à quatre chiffres lorsque vous démarrez la tondeuse pour la première fois.
- b) Toujours éteindre la tondeuse à gazon robotique si lorsque vous avez l'intention de la porter.
- c) Portez la tondeuse en la tenant par la poignée située à l'avant, en dessous. Tenez la tondeuse avec le disque de coupe du côté opposé à vous.

Exigences d'exposition FR

Pour satisfaire aux exigences d'exposition aux radiofréquences, une distance de séparation de 200 mm ou plus doit être respectée entre cet appareil et des personnes pendant le fonctionnement de l'appareil. Pour assurer la conformité, les opérations à une distance inférieure à cette distance ne sont pas recommandées. L'antenne utilisée pour cet émetteur ne doit pas être co-localisée avec une autre antenne ou un autre émetteur.

Mises en garde concernant la batterie

- a) **La batterie et les piles secondaires ne doivent pas être ouvertes, démontées ou broyées.**
- b) **La batterie ne doit pas être court-circuitée. Évitez de mettre la batterie en vrac dans une boîte ou dans un tiroir où elles risqueraient de se court-circuiter entre elles ou au contact d'autres objets métalliques. Après usage, évitez tout contact de la batterie avec d'autres objets métalliques de petite taille (trombones, pièces, clés, clous, vis etc.) susceptibles de court-circuiter les pôles. Un court-circuit entre les pôles de la batterie peut être à l'origine de brûlures ou d'un incendie.**
- c) **La batterie ne doit pas être exposée au feu et à la chaleur. Évitez de la ranger à la lumière du soleil.**
- d) **La batterie et les piles ne doivent pas être soumises à des chocs mécaniques.**
- e) **En cas de fuite des piles, évitez tout contact du liquide avec la peau et les yeux. En cas de contact, rincez abondamment la surface touchée avec de l'eau et appelez les urgences.**
- f) **En cas d'ingestion d'une pile ou d'une batterie, appelez immédiatement les urgences.**
- g) **La batterie et les piles doivent rester propres et sèches.**
- h) **Si la batterie ou les piles se salissent, essuyez-les avec un chiffon propre et sec.**
- i) **La batterie et les piles doivent être chargées avant usage. Utilisez toujours le chargeur adéquat, et respectez les instructions du fabricant ou le mode d'emploi de l'appareil concernant la procédure de recharge.**
- j) **Évitez de laisser une batterie se charger pendant trop longtemps lorsqu'elle n'est pas utilisée.**
- k) **Après de longues périodes d'inutilisation, il peut être nécessaire de charger et décharger la batterie et les piles à plusieurs reprises avant que celles-ci ne retrouvent leur capacité maximale.**
- l) **N'utilisez pas d'autre chargeur que celui spécifié par Worx. N'utilisez pas d'autre chargeur que celui spécifiquement fourni avec l'appareil.**
- m) **N'utilisez en aucun cas une batterie autre que celle prévue pour cet appareil.**
- n) **La batterie doit être tenue hors de portée des enfants.**
- o) **Gardez la documentation d'origine du produit afin de pouvoir vous y référer ultérieurement.**
- p) **Enlevez la batterie de l'appareil lorsque vous ne l'utilisez pas.**
- q) **Respectez les procédures de mise au rebut.**
- r) **Ne pas mélanger des piles de fabrication, capacité, taille ou type différents dans un appareil.**
- s) **Ne pas retirer les batteries de leur emballage d'origine avant leur utilisation.**
- t) **Noter les signes plus (+) et moins (-) sur la batterie et respecter la bonne utilisation.**

INFORMATIONS SUR LE LANDROID



AVERTISSEMENT – ce robot tondeuse peut être dangereux s'il est utilisé de manière incorrecte. Avant d'utiliser le robot tondeuse pour la première fois, vous devez avoir lu et compris le contenu dans son intégralité.



AVERTISSEMENT - Restez à distance de la machine pendant qu'elle fonctionne.



AVERTISSEMENT – Éteignez la machine avant de la manipuler ou de la soulever.



AVERTISSEMENT –Ne pas s'asseoir sur la machine.



Batterie Li-Ion Ce produit comporte un symbole de « Collecte séparée » de toutes les batteries. Il sera ensuite recyclé ou démantelé, afin de réduire l'impact sur l'environnement. Les batteries peuvent être dangereuses pour l'environnement et la santé humaine, car elles contiennent des substances dangereuses.



Ne pas jeter au feu



Les batteries peuvent entrer dans le cycle de l'eau si elles sont jetées de manière inappropriée, ce qui est dangereux pour l'écosystème. Ne jetez pas les batteries utilisées avec les déchets ménagers non triés.



Interdire le démontage de la machine sans autorisation



Les déchets d'équipements électriques et électroniques ne doivent pas être déposés avec les ordures ménagères. Ils doivent être collectés pour être recyclés dans des centres spécialisés. Consultez les autorités locales ou votre revendeur pour obtenir des renseignements sur l'organisation de la collecte.



Appareil de classe III



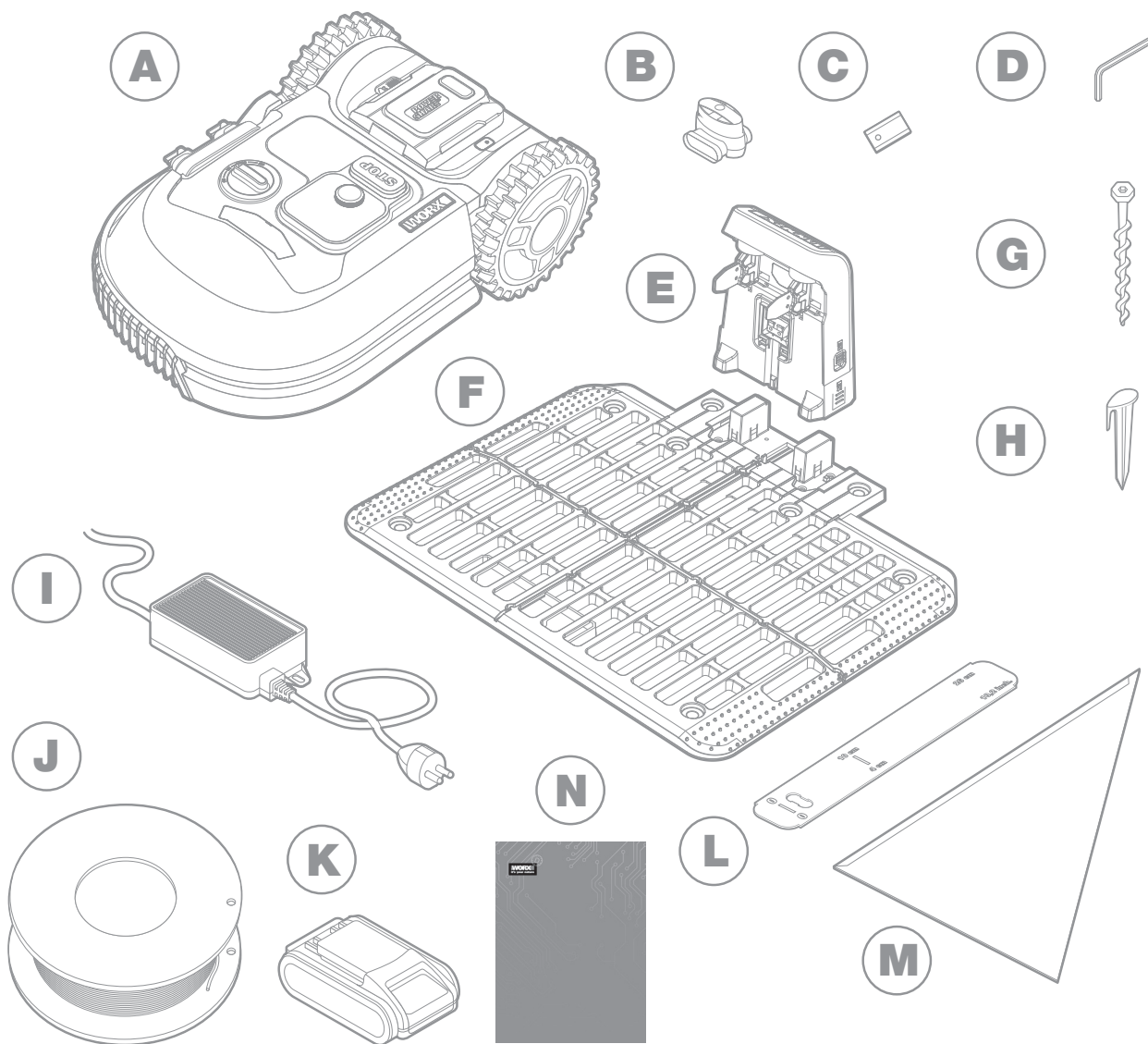
Lire le manuel de l'opérateur



Unité d'alimentation amovible

Votre Landroid peut être utilisé avec les accessoires fonctionnels Worx. Visiter www.worxlandroid.com pour savoir plus sur ces options d'accessoires disponibles.

**LISTE DES COMPOSANTS
CONTENU DU CARTON**

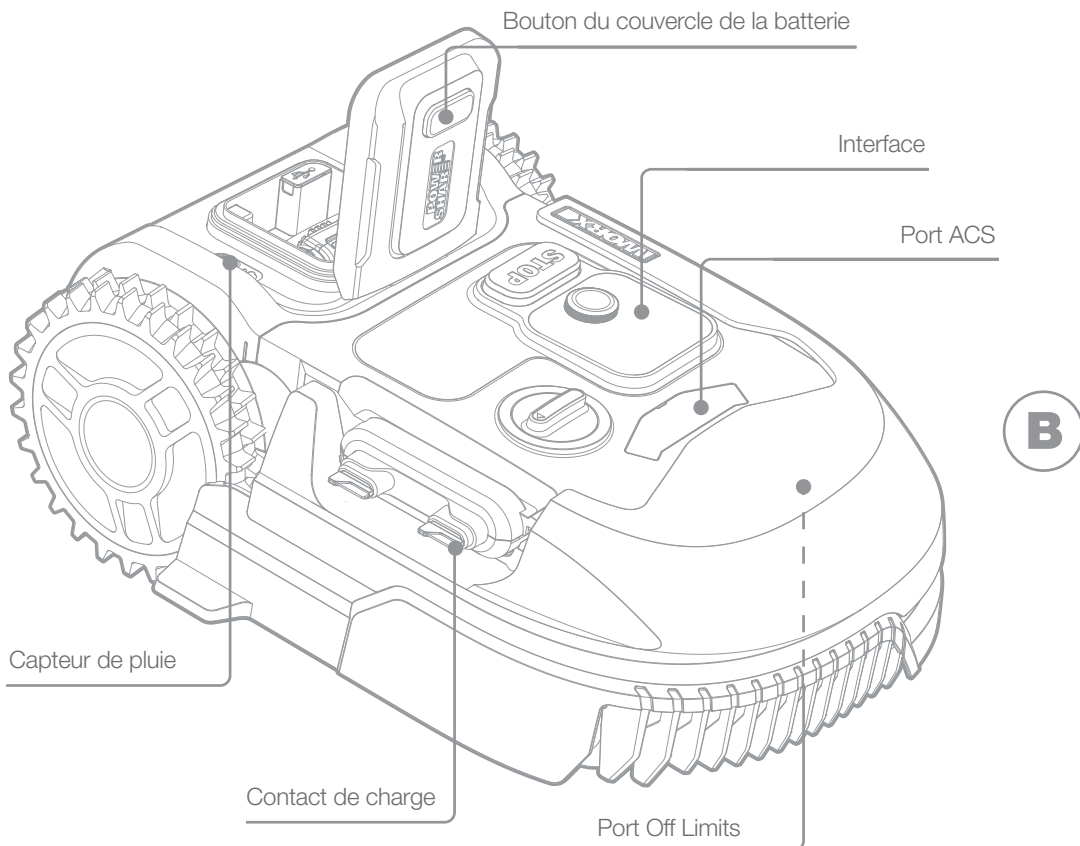
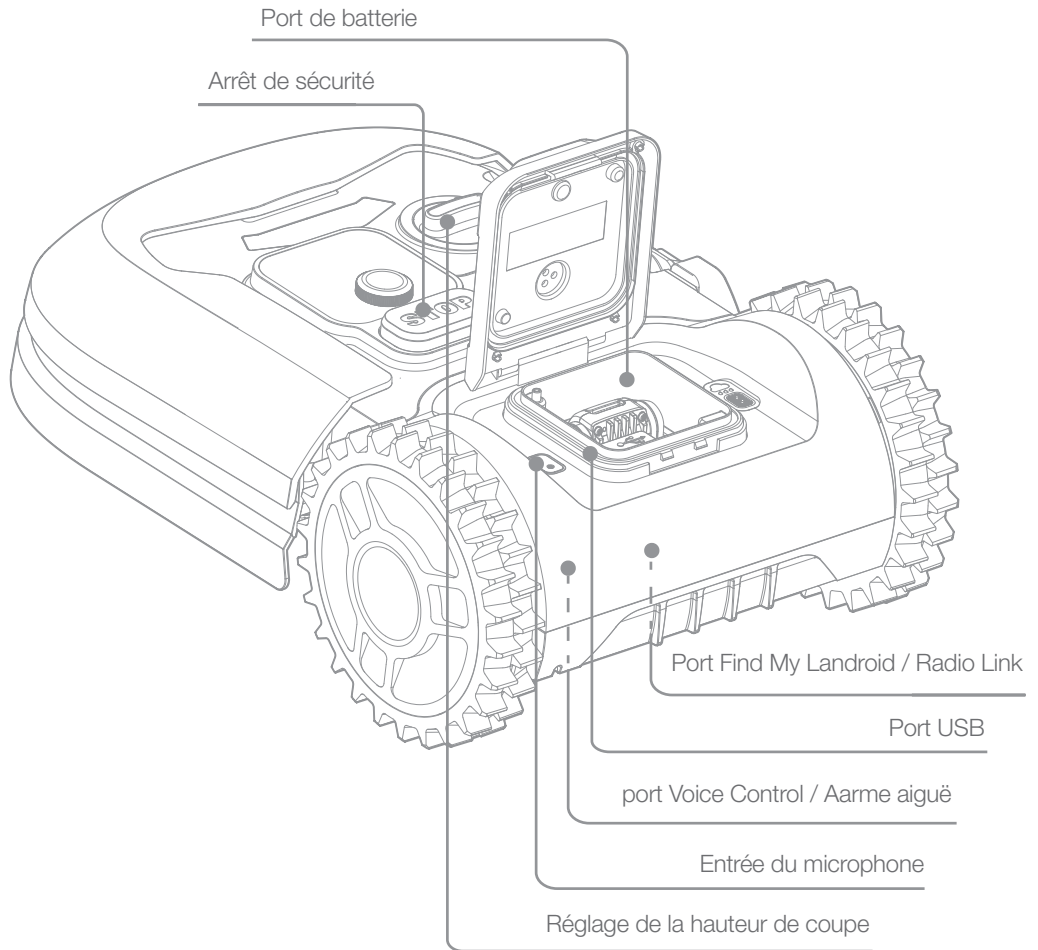


L'illustration est fournie à titre indicatif uniquement

A	Worx Landroid
B	Connecteurs de réparation de câble
C	Lames de rechange
D	Clé hexagonale
E	Socle de recharge
F	Batterie en rechargement
G	Vis

H	Chevilles de bord
I	Alimentation électrique
J	Câble périphérique
K	Batterie 20V
L	Jauges de distance pour câble périphérique
M	Règle de bertelsen
N	Manuels

A



B


CARACTÉRISTIQUES TECHNIQUES

Modèle **WR165E WR167E WR148E WR147E.1 (100-199 - désignations des pièces, illustration de la Robot de fauchage à pelouse)**

	WR165E	WR167E	WR148E	WR147E.1
Tension nominale	20 V Max.*			
Vitesse à vide (/min)	2800		2400	
Zone de coupe (m ²)	500	700	800	1000
Diamètre de coupe (cm)	18		20	
Hauteur de coupe (mm)	30-60			
Positions de hauteur de coupe	4			
Type de batterie	Lithium			
Modèle de batterie	WA3551.3	WA3553.3	WA3551.3	WA3553.3
Durée de charge (mins) environ.	75	150	75	75
Modèle de chargeur	WA3750.1/ WA3755.1			WA3775 / WA3776
Valeurs nominales du chargeur	Entrée: 100-240 V~50/60 Hz, 38 W, Sortie: 20V , 1.5 A			Entrée:100-240 V~50/60 Hz, 90 W, Sortie: 20 V , 3.0 A
Poids de la machine (kg)	9.5	9.8	11.7	12
Classe de protection	III			
App(Wifi/Bluetooth)	Y			
Bande de fréquence du module WLAN intégré	2.412GHz-2.484GHz			
Puissance max. de radiofréquence du module WLAN intégré	802.11b:+16±2dBm(@11Mbps) 802.11g:+14±2dBm(@54Mbps) 802.11n:+13±2dBm(@HT20,MCS7)			
Bande de fréquence des systèmes à boucle d'induction magnétique	77 Hz			
Puissance radiofréquence maximale des systèmes à boucle d'induction magnétique	82 dBµA/m			

* La tension est mesurée à vide. La tension initiale de la batterie atteint un maximum de 20 volts. La tension nominale est de 18 volts.

INFORMATIONS RELATIVES AU BRUIT

	WR165E	WR167E	WR148E	WR147E.1
Niveau de pression acoustique	$L_{pA} = 45.5 \text{ dB(A)}$		$L_{pA} = 40.68 \text{ dB(A)}$	
	$K_{pA} = 0.6 \text{ dB(A)}$		$K_{pA} = 1.36 \text{ dB(A)}$	
Niveau de puissance acoustique	$L_{wA} = 65.5 \text{ dB(A)}$		$L_{wA} = 61.56 \text{ dB(A)}$	
	$K_{wA} = 0.6 \text{ dB(A)}$		$K_{wA} = 1.36 \text{ dB(A)}$	
Porter des protections auditives lorsque la pression sonore est supérieure à 80 dB(A).				

Un certain niveau de bruit de la machine est inévitable. Le travail bruyant sur des routes doit être autorisé et limité à certaines périodes. Les périodes de repos doivent être préservées et les heures de travail peuvent être restreintes à un minimum. Pour sa propre protection et la protection des personnes travaillant dans les environs, le personnel doit porter une protection auditive appropriée.

ACCESSOIRES

	WR165E	WR167E	WR148E	WR147E.1
Vis	9	9	9	9
Socle de recharge	1	1	1	1
Clous de fixation de la base de chargement	8	8	8	8
Câble périphérique	130m	150m	150m	180m
Piquets-fils	180	210	210	250
Clé hexagonale	1	1	1	1
Jauges de distance de câbles périphériques	2	2	2	2
Lames	9	9	9	9
Connecteur	2	2	2	2
Batterie (WA3551.3)	1	/	1	/
Batterie (WA3553.3)	/	1	/	1
Chargeur (WA3750.1/ WA3755.1)	1	1	1	/
Chargeur(WA3775 / WA3776)	/	/	/	1

Nous recommandons d'acheter tous les accessoires dans le magasin d'acquisition de la machine. Pour plus d'informations, se référer à l'emballage des accessoires. Le personnel du magasin est également là pour vous conseiller.

UTILISATION CONFORME

Ce produit est destiné à la tonte de pelouses de particuliers. Il est conçu pour tondre fréquemment la pelouse de manière à la garder plus belle et plus saine que jamais auparavant. Selon la taille de votre pelouse, le Landroid peut être programmé de manière à travailler à n'importe quel moment et avec n'importe quelle fréquence. Il n'est pas destiné à creuser, balayer ou nettoyer la neige.

MAINTENANCE

Votre Landroid travaille sur et doit être nettoyé et inspecté de temps en temps. Cette section de notre guide vous aide à garder votre Landroid en bon état afin qu'il puisse durer des années sans problèmes. Voici des instructions pour prendre soin de votre Landroid. Éteignez la machine avant d'effectuer tout entretien ou maintenance que ce soit.

LE GARDER OPÉRATIONNEL

Le Landroid ne coupe pas l'herbe comme les autres tondeuses. Ses lames de coupe sont très affûtées sur les 2 bords et tournent dans les deux directions pour une capacité de coupe optimale.

- A. Le disque tournant de lame effectue une rotation anti-horaire aléatoire afin d'utiliser les deux bords de coupe et minimiser la fréquence de remplacement des lames.
- B. Chaque lame de coupe durera jusqu'à 2 mois lorsqu'elle est programmée pour tondre tous les jours.
- C. Vérifiez toujours si les lames sont ébréchées ou endommagées et remplacez-les si elles le sont.
- D. Lorsque les lames de coupes sont émoussées et usées, elles doivent être remplacées par les lames de rechange fournies avec votre Landroid. Des lames de rechange sont également disponibles chez votre revendeur Landroid le plus proche.

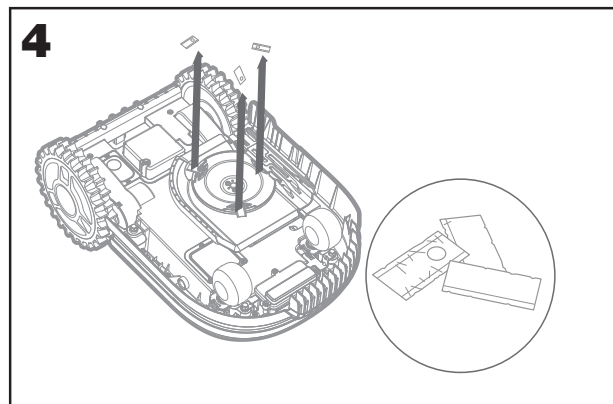
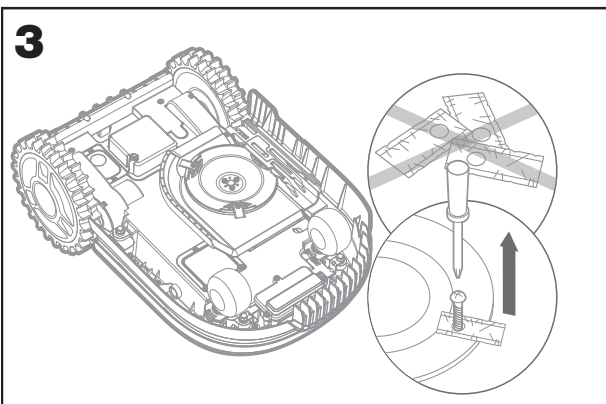
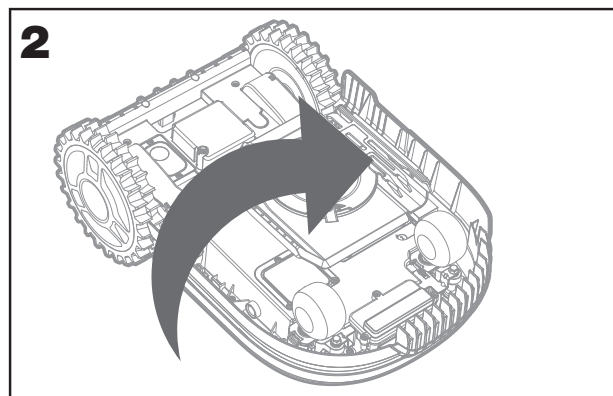
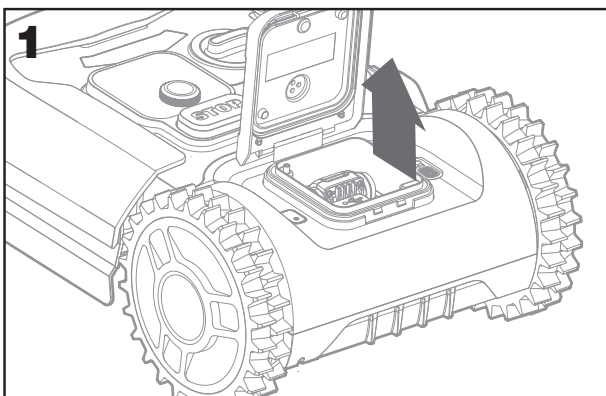
⚠ AVERTISSEMENT ! Avant de nettoyer, ajuster ou remplacer les lames, mettez votre Landroid sur OFF et retirez la batterie. Portez toujours des gants de protection.

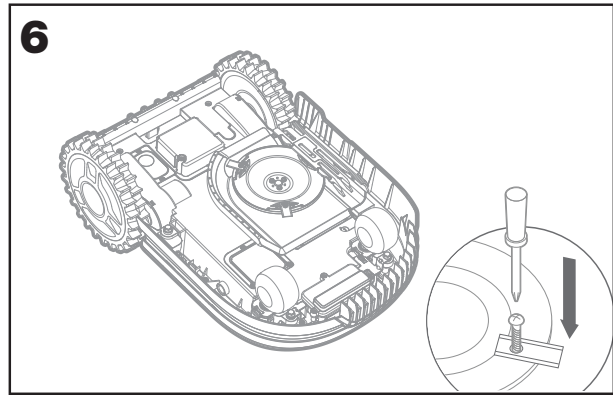
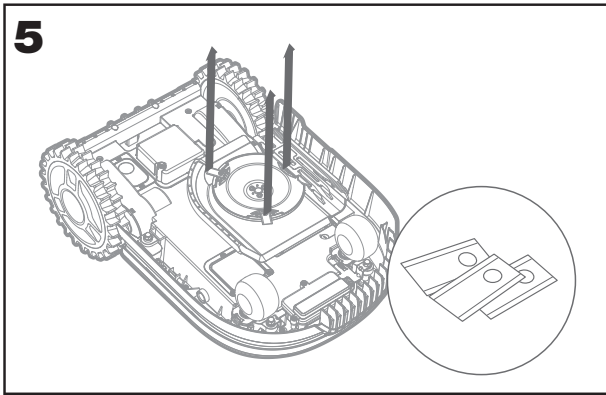
1. Remplacer les lames

Enlevez la batterie (fig. 1) et retournez délicatement le Landroid (fig.2)

Retirez les vis à l'aide d'un tournevis (fig. 3 - 4)

Vissez fermement les nouvelles lames (fig. 5-6)



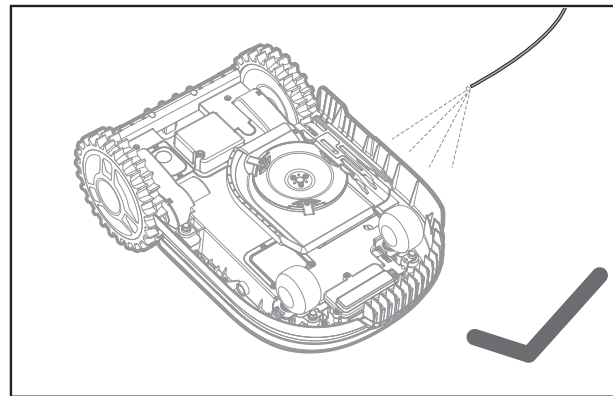
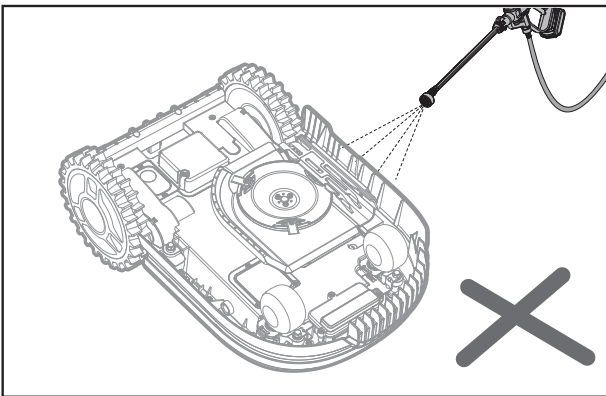


⚠ Attention: lorsque vous montez de nouvelles lames, assurez-vous de remplacer TOUTES les lames. Utilisez toujours de nouvelles vis lors du montage des lames. Ceci est essentiel pour garantir la stabilité de la lame et l'équilibre du disque tournant de lame. La non-utilisation de vis neuves peut entraîner des blessures graves. Important : Après avoir vissé la lame au disque de coupe, assurez-vous que la lame est capable de tourner librement.

LE GARDER PROPRE

Votre Landroid doit être nettoyé régulièrement. Ceci permet de le garder en bon état, surtout en retirant la saleté, les débris et les dépôts d'herbe issus de la tonte quotidienne. Éteignez votre Landroid avant de le nettoyer. Pour plus de sécurité, retirez la batterie.

⚠ Attention: Assurez-vous que le couvercle de la batterie est fermé lors du lavage de votre Landroid.
⚠ AVERTISSEMENT ! VOTRE Landroid ne peut être lavé qu'en utilisant un tuyau souple ! N'utilisez PAS de nettoyeur haute pression sur votre Landroid. L'eau à haute pression peut pénétrer à l'intérieur des joints et endommager les pièces électroniques et mécaniques.



1. Nettoyer le boîtier supérieur

- A. Nettoyez avec un vaporisateur rempli d'eau. N'utilisez pas de solvants ou de polisseurs.
- B. Utilisez une brosse ou un tissu propre pour enlever les dépôts de saleté.

2. Nettoyer la base

- A. Retournez le Landroid.
- B. Enlevez les débris et dépôts d'herbe à l'aide d'une brosse.
- C. Faites attention à ne pas toucher les lames avec vos mains. Portez des gants de protection.
- D. Nettoyez le disque de coupe, le châssis et la(les) roue(s) avant avec une brosse souple ou un chiffon humide.
- E. Faites tourner le disque de coupe pour vous assurer qu'elle tourne librement. Enlevez toutes les obstructions. Enlevez tous les débris accumulés afin qu'ils ne provoquent pas de fissure dans le disque de coupe. Même la plus petite fissure peut affecter les performances de tonte.
- F. Vérifiez que les lames tournent librement autour des vis de fixation. Enlevez toutes les obstructions.

3. Nettoyer les roues motrices

- A. Retirez la boue des roues à l'aide d'une brosse afin de garantir une bonne adhérence de la sculpture.

4. Nettoyer les contacts de charge

- A. Nettoyer les broches de contact situées sur le socle de recharge et les bornes de recharge situés sur le Landroid à l'aide d'un tissu.
- B. Enlevez périodiquement tout dépôt de d'herbe ou débris autour des broches de contact et des bornes de recharge pour garantir que le Landroid se recharge avec succès à chaque fois.

LE GARDER CHARGÉ

Le cœur du Landroid est sa batterie Li-Ion 20 V Worx Powershare.

- A. Pour le stockage adéquat de la batterie, assurez-vous qu'elle est pleinement chargée et conservée dans un endroit sec et frais
- B. La température de fonctionnement recommandée pour le Landroid est de 0-55°C.
- C. La durée de vie de la batterie Landroid dépend des heures d'utilisation et de la durée d'utilisation par jour pendant la saison de tonte.

1. Le Landroid peut être chargé manuellement sans le câble périphérique

- A. Connectez le socle de recharge à une alimentation électrique appropriée. Le voyant vert sur le socle de recharge s'éclaire.
- B. Fixer manuellement le Landroid sur le socle de recharge lorsque le Landroid est éteint.
- C. Le voyant vert sur le socle de recharge clignote et le Landroid commence à se recharger.

LE STOCKER PENDANT L'HIVER

Bien que le Landroid soit conçu et construit pour résister aux conditions climatiques les plus rigoureuses, nous vous conseillons de le stocker dans votre remise ou garage pendant l'hiver. Pour le préparer à l'hibernation :

- A. Le nettoyer soigneusement.
- B. Charger pleinement la batterie.
- C. Éteindre le bouton d'alimentation.

1. Retour au travail pendant le printemps

Lorsqu'il est temps de redémarrer le Landroid pour la nouvelle saison, veuillez procéder aux vérifications suivantes :

- A. Mettre à jour les paramètres heure et date via l'appli.
- B. Si vous remarquez des signes d'oxydation sur les contacts de charge du Landroid et le socle de recharge, éliminez-les avec une toile émeri fine.
- C. Charger pleinement la batterie du Landroid avant la mise en service.

LE TENIR À JOUR

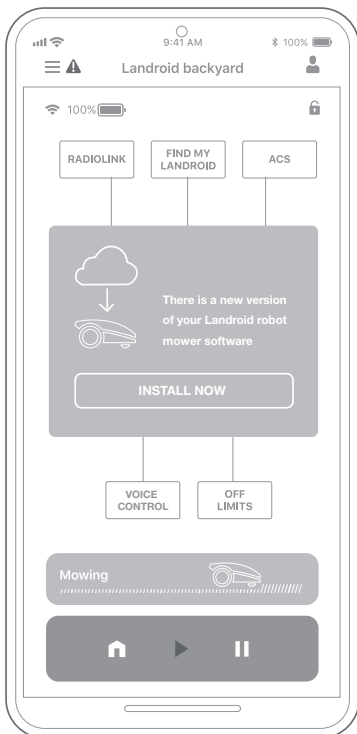
Le Landroid évolue sans cesse et de nouvelles versions de logiciel sont mises à disposition gratuitement. Tenez toujours le logiciel Landroid à jour pour tirer le meilleur parti de votre machine.

1. Mises à jour Over-the-Air (OTA)

Si votre Landroid est connecté à votre réseau Wi-Fi, vous recevrez une notification sur l'appli vous signalant qu'un nouveau logiciel est disponible. Une fois que vous confirmez, la mise à jour est effectuée automatiquement en mode sans fil.

2. Vérifiez la version de logiciel que vous avez.

Le numéro de la version du logiciel est affiché quand Landroid est allumé.



3. Mises à jour manuelles

- A. Si votre Landroid n'est pas connecté à votre réseau Wi-Fi, vous pouvez encore le mettre à jour vers la version de logiciel la plus récente à l'aide de votre clé USB.
- B. Visitez régulièrement le site internet Worx Landroid pour vérifier si une nouvelle version est disponible. Si vous vous êtes inscrit à la liste de diffusion de Landroid, vous recevrez une notification lorsqu'une nouvelle version sera disponible.
- C. Téléchargez la version la plus récente du logiciel sur notre site web.
- D. Prenez une clé USB vierge formatée en FAT32.
- E. Enregistrez le fichier Zip et extrayez le contenu sur votre clé USB.
- F. Placez le Landroid sur une surface fiable et plane.
- G. Éteignez le Landroid.
- H. Allez à l'arrière du Landroid pour accéder au port USB.
- I. Insérez la clé USB dans le port.
- J. Placez à nouveau le Landroid sur la pelouse, dans la zone de travail délimitée par le câble périphérique.
- K. Allumez le Landroid.
- L. Sans soulever le Landroid, retirez la clé USB lorsque 'USB' s'affiche à l'écran.
- M. La mise à jour va commencer automatiquement et peu prendre du temps. Le Landroid redémarrera automatiquement une fois que la mise à jour sera terminée.


REMARQUE : Assurez-vous que le Landroid se trouve dans la limite lors du redémarrage du Landroid.

MESSAGES D'OPÉRATION

MESSAGE DE L'ACTION DU LANDROID	ESSAGE DE L'ACTION DU LANDROID
Coupe de l'herbe	Couper de l'herbe selon le calendrier de tonte.
Pluie	Le capteur de pluie détecte l'eau. Le Landroid retournera à la station de charge et y restera pendant le temps que vous l'avez programmé pour le faire. Une fois la pluie s'arrête, le Landroid commencera automatiquement le compte à rebours du délai de pluie, puis retournera à la tonte. Si vous voulez que Landroid tonde avant cela, éteignez-le, puis rallumez-le, mais uniquement lorsque le capteur de pluie est sec, ou vous pouvez supprimer complètement le délai de pluie en réglant le temps de délai de pluie sur zéro.
Retour à la maison	Nécessite une recharge : pendant le trajet vers la base, la lame de coupe est arrêtée
Mise en charge	«Charge» et le pourcentage de charge sont affichés.
Aucun temps de travail prévu	Prêt, doit être programmé comme vous le souhaitez.
Ne travaille pas aujourd'hui	Prêt, commencera selon le programme de tonte.
Travail effectué aujourd'hui	
Recherche de zone	Selon le paramètre « Personnaliser la zone de travail » Landroid recherche une zone sûre
Charge terminée	Landroid a terminé sa charge.
Charge d'urgence	Charge d'urgence Le Landroid se charge à l'état hors tension.

MESSAGES D'ERREUR

Parfois, les choses peuvent mal tourner. Heureusement, le Landroid est assez intelligent pour vous dire s'il rencontre un problème afin que vous puissiez le réparer. En cas de doute, veuillez visiter notre site Web où vous trouverez des vidéos utiles et une assistance supplémentaire.

MESSAGE	CAUSE	ACTION
	Le couvercle de la batterie n'est pas fermé	Fermez le couvercle de la batterie
Hors zone de travail! Appuyez sur «START» pour réinitialiser.	Le Landroid ne trouve pas le signal du câble périphérique.	1. Si le Landroid se trouve réellement en dehors de son périmètre de travail: éteignez-le, ramenez-le à l'intérieur du périmètre de travail, rallumez-le et appuyez sur Start. 2. Si le Landroid est à l'intérieur de son périmètre de travail, vérifiez si le témoin LED sur le socle de recharge s'allume en vert fixe. S'il est rouge, vérifiez que le câble périphérique est correctement connecté au socle de recharge et que le socle est connecté à une alimentation électrique appropriée. S'ils sont correctement connectés, cela signifie que les extrémités du câble périphérique sont mal fixées et que vous devez les inverser.
PIN ERRONÉ! Veuillez réessayer	Le code PIN est erroné.	Entrez le bon code PIN ou réinitialiser votre PIN.
Défaut moteur lame! Appuyez sur «START» pour réinitialiser.	Le disque de coupe est bloqué par un objet, par ex. une branche.	Tournez le bouton marche/arrêt sur Off. Retournez le Landroid, vérifiez s'il y a un objet empêchant le disque de coupe de tourner et retirez l'éventuelle obstruction. Redressez le Landroid. Tournez le bouton marche/arrêt sur On. Appuyez sur Start.
	La lame est surchargée par une herbe dense et épaisse.	Tournez le bouton marche/arrêt sur Off. Emmenez le Landroid vers une zone où l'herbe est courte ou réglez la hauteur de coupe sur une valeur plus élevée. Tournez le bouton marche/arrêt sur On. Appuyez sur Start.
Défaut moteur roue! Appuyez sur «START» pour réinitialiser.	La rotation des roues est bloquée par un objet.	Éteignez le Landroid et transportez-le vers une zone exempte d'obstacles. Tournez le bouton marche/arrêt sur On. Appuyez sur Start. Si le message d'erreur s'affiche toujours, tournez le bouton marche/arrêt sur Off. Retournez le Landroid et vérifiez si la rotation des roues est bloquée par un objet. Enlevez l'objet à l'origine du blocage, remettez le Landroid d'aplomb et rallumez-le
À l'envers! Appuyez sur «START» pour réinitialiser.	Ceci a pu se produire lorsque le Landroid est entré en contact avec une surface en pente qui a provoqué son renversement.	Remettez le Landroid d'aplomb et enlevez tout objet ayant entraîné le renversement du Landroid.
Tondeuse coincée! Appuyez sur «START» pour réinitialiser.	Le Landroid est coincé.	Tournez le bouton marche/arrêt sur Off. Placez le Landroid dans un endroit de la pelouse sans obstacles, puis tournez le bouton marche/arrêt sur On. Appuyez sur Start. Si le message d'erreur s'affiche toujours, tournez le bouton marche/arrêt sur Off, puis retournez le Landroid. Vérifiez qu'il n'y a pas d'obstacles pouvant empêcher les roues de tourner. Enlevez l'objet à l'origine du blocage, remettez le Landroid d'aplomb et rallumez-le.

Tondeuse levée! Appuyez sur «START» pour réinitialiser.	Le Landroid est soulevé.	<p>Tournez le bouton marche/arrêt sur Off.</p> <p>Placez le Landroid dans un endroit sans obstacles, puis allumez-le.</p> <p>Appuyez sur Start.</p> <p>Si le message d'erreur s'affiche toujours, tournez le bouton marche/arrêt sur Off, puis retournez le Landroid et vérifiez qu'il n'y a aucun objet qui peut causer le soulèvement du Landroid.</p> <p>Enlevez l'éventuel objet, remettez le Landroid d'aplomb et rallumez-le.</p>
Tension de la batterie trop basse! Remplacer la batterie	Batterie épuisée.	<p>Dans ce cas vous devez éteindre le Landroid et le placer dans le socle de recharge, l'écran affiche alors 'Emergency charging' et la recharge du Landroid commence.</p> <p>Si l'erreur de la batterie persiste, votre batterie est endommagée et doit être remplacée.</p>
Fil manquant! Appuyez sur «START» pour réinitialiser.	La machine ne reçoit pas le signal du câble périphérique.	<p>Si le voyant LED est rouge, vérifiez si le câble périphérique est bien connecté aux pinces sur la batterie en rechargement.</p> <p>Si le problème persiste, vérifiez si le câble périphérique a été coupé.</p>
Température de la batterie hors plage! veuillez patienter	La température est trop élevée (supérieure à 55°C) ou trop basse (inférieure à 0°C) lors du chargement.	Placer la station de charge dans une zone ombragée ou attendre jusqu'à ce qu'elle atteigne une température normale.
Station charge introuvable! Appuyez sur «START» pour réinitialiser.	Le câble périphérique a dépassé sa longueur maximale (350 m ou la machine n'a pas assez d'autonomie pour retourner vers le socle de recharge.	Ramenez le Landroid vers le socle de recharge.
Tondeuse verrouillée!	<p>Avec l'option 'fonction Lock' activée, si votre Landroid ne reçoit pas de signal de votre routeur Wi-Fi pendant 3 jours, il est alors bloqué par mesure de sécurité.</p> <p>Ceci est peut-être dû au fait que votre routeur a perdu en puissance ou que vous avez changé votre routeur Wi-Fi ou opérateur réseau.</p>	<p>Veuillez reconnecter le Landroid au réseau Wi-Fi auquel il était originellement associé.</p> <p>Si c'est impossible, contactez le Service client.</p>

REMARQUES


- A. Avant de l'allumer, vérifiez toujours que le Landroid se trouve dans son périmètre de travail.
- B. Si pour une raison quelconque — par ex. une fête, des enfants qui jouent... — vous souhaitez ranger dans son socle de recharge: appuyez sur Home, puis sur OK. Le Landroid retournera sur son socle et y restera. Notez que le Landroid attendra alors jusqu'à la session de tonte suivante dans le programme. Si vous souhaitez le redémarrer à n'importe quel moment, appuyez sur Start, puis sur OK pour démarrer le Landroid
- C. Si une erreur se répète toujours au même endroit de la pelouse, cela peut être le signe d'un problème dans l'installation du câble périphérique ; vérifiez le montage du câble en vous référant aux instructions d'installation.
- D. Si votre pelouse est divisée en deux zones séparées, reliées par un couloir de moins de 1m, dont l'une ne comporte pas de base de recharge : lorsque le Landroid est à court de charge, amenez-le manuellement sur le socle de charge
- E. Si le Landroid fonctionne anormalement de temps en temps, essayez de le réinitialiser en l'éteignant et en retirant la batterie pendant 30 secondes, puis redémarrez. Si le problème n'est pas résolu, veuillez contacter notre Service client

DÉPANNAGE


Si votre Landroid ne fonctionne pas correctement, consultez le guide de dépannage ci-dessous. Si le défaut persiste, contactez le Service Client

SYMPTÔME	CAUSE	SOLUTION
Le voyant LED du socle de recharge ne s'allume pas.	Pas d'alimentation.	Vérifiez que le socle de recharge est correctement connecté au chargeur et le chargeur est connecté à une alimentation électrique appropriée.
Lumière rouge sur le socle de recharge.	Le câble périphérique n'est pas connecté.	Vérifiez que le câble périphérique a été correctement connecté au socle de recharge. Vérifiez qu'il n'y a pas de fissure dans le câble périphérique.
Le Landroid s'allume, mais le disque de coupe ne bouge pas.	Le Landroid est en train de chercher le socle de recharge.	Ceci est normal: le Landroid a besoin de se recharger et le disque de coupe ne tourne pas lorsque le robot est en train de chercher automatiquement le socle de recharge.
Le Landroid vibre.	Le disque de coupe est en déséquilibre. Les lames peuvent être endommagées.	Vérifiez les lames et remplacez-les si elles sont endommagées. Retirez les débris et objets étrangers des lames et du disque de coupe.
L'herbe est coupée de manière irrégulière.	Le Landroid ne fonctionne pas pendant suffisamment d'heures par jour pour couper l'herbe.	Essayez d'ajouter plus d'heure au programme de tonte.
	La zone de tonte est trop grande pour la taille du Landroid que vous avez.	Essayez de réduire la taille de la zone de tonte ou augmenter le temps de travail
	Les lames sont émoussées et pas tranchantes.	Changez toutes les lames et les vis afin que le disque de coupe reste bien équilibré.
	La hauteur de coupe est réglée sur un cran trop bas pour votre pelouse.	Réglez la hauteur sur un cran élevé, puis baissez progressivement.
	Le disque de coupe est recouvert d'herbe ou d'un autre objet.	Examinez le disque de coupe et enlevez l'herbe et tous les objets pouvant l'empêcher de tourner.
	De l'herbe s'est accumulée sur le disque ou dans le boîtier du moteur.	Vérifiez que le disque peut bien tourner sans entrave. Si nécessaire, démontez le disque et enlevez les détrit.
Votre Landroid est dans son périmètre de travail et le câble périphérique est connecté, mais l'écran affiche '- E1 -'.	Les extrémités du câble périphérique ne sont pas fixées correctement.	Inversez les extrémités du câble périphérique et reconnectez-le au socle de recharge.
La durée de charge est beaucoup plus longue que la durée nominale.	Mauvais contact dû à la saleté de la borne de recharge.	Nettoyez les broches de contact du socle et les bornes de recharge de la machine à l'aide d'un chiffon.
	Le système de protection de la charge s'est activé à cause de la température trop élevée.	Placez le socle de recharge dans une zone ombragée ou attendez que la température baisse.
La tondeuse ne se recharge pas.	Pas d'alimentation.	Vérifiez que le cordon d'alimentation est correctement relié au chargeur et que le chargeur est branché à une alimentation appropriée. Assurez-vous que les deux bornes de recharge sur la tondeuse touchent le centre des broches de contact sur le socle de recharge.

La durée d'autonomie du Landroid est de plus en plus courte après chaque recharge.	Quelque chose bloque le disque de coupe, ce qui crée des frictions et augmente la consommation d'électricité.	Enlevez le disque de coupe et nettoyez-le. L'herbe est peut-être trop haute et trop épaisse.
	Le Landroid tremble beaucoup parce que le disque de coupe n'est pas équilibré.	Enlevez le disque de coupe et nettoyez-le. L'herbe est peut-être trop haute et trop épaisse. Examinez les lames et le disque de coupe, Enlevez les débris et objets étrangers des lames et du disque de coupe. Remplacez les lames par un nouveau jeu.
	La batterie est peut-être vieille ou épuisée.	Remplacez la batterie.
	Le temps de travail est élevé	Redéfinir le temps de travail
Le Landroid ne se met pas en marche à l'heure prévue.	L'horloge n'est pas réglée à la bonne heure.	Régler l'horloge à la bonne heure.
	Les temps de coupe programmés pour le Landroid sont incorrects.	Changez les heures de début et de fin de travail du Landroid.
	Le pourcentage de temps de fonctionnement hebdomadaire défini via APP a changé	Définir le pourcentage correct via APP
Landroid ne peut pas s'enclencher correctement dans le socle de recharge.	Influences environnementales.	Redémarrer le Landroid.
	Mauvais contact dû à la souillure de la borne de recharge.	Nettoyez les broches de contact du socle et les bornes de recharge de la machine à l'aide d'un chiffon.
L'indicateur vert sur le socle de recharge s'allume avant que la charge ne soit terminée.	la station de charge est trop chaude ou trop froide.	Placer la station de charge dans une zone ombragée ou attendre jusqu'à ce qu'elle atteigne une température normale.
Les roues du Landroid dérapent ou glissent continuellement.	Des obstacles étrangers, tels que des brindilles et des branches peuvent être coincées sous le Landroid	Enlevez les objets étrangers de sous le Landroid.
	La pelouse est trop humide.	Attendez jusqu'à ce que la pelouse ait séché.
Le Landroid fonctionne en dehors du câble périphérique. Le Landroid ne tond pas une zone située dans le périmètre du câble périphérique. Le Landroid se retourne ou tourne de façon erratique près du câble périphérique.	Le câble périphérique d'une autre Landroid ou une tondeuse robotique d'une autre marque est trop proche.	Assurez-vous que le câble périphérique de la Landroid est espacé d'au moins 1m du câble périphérique voisin.
	Dans des conditions d'humidité, le signal électrique du câble périphérique peut fuir de l'union ou de la réparation du câble.	Vérifiez les joints du câble périphérique. Isolez-les pour offrir un raccord complètement étanche.
	Il existe une fuite du signal électrique du câble périphérique due à une rupture de l'isolation.	Réparez l'isolation du câble périphérique avec les connecteurs fournis.
Le Landroid quitte son périmètre de travail en descendant une colline.	Faible adhérence des roues motrices du Landroid.	Veuillez vérifier que les roues sont propres et exemptes de boue afin de garantir la meilleure adhérence possible.
Le système d'exploitation du Landroid plante lorsqu'il est en charge ou en veille.	Défaut du logiciel ou de l'écran	Redémarrer le Landroid.
Le Landroid s'éteint lorsqu'il s'enclenche dans le socle de recharge.	Le Landroid ne parvient pas à se recharger en raison de la protection contre la surchauffe et s'éteint.	Placez le socle de recharge dans une zone ombragé ou attendez que la température baisse.
	Mauvaise connexion.	Vérifiez l'indicateur LED sur le socle de recharge. Vérifiez la connexion entre les broches de contact situées sur le socle de recharge et la borne de recharge.

Le Landroid s'arrête dans le périmètre de travail.	Il y a un obstacle dans le périmètre de travail.	Enlevez l'obstacle du périmètre de travail du Landroid.
	La hauteur de coupe est réglée sur un cran trop bas pour la hauteur de l'herbe ou l'herbe est trop dense.	Réglez la hauteur sur un cran élevé, puis baissez progressivement.
	Le câble périphérique déployée ne doit pas dépasser 350 m, sinon cela peut causer des problèmes de signal.	Réduisez la longueur du câble périphérique.
	La distance entre le centre de la pelouse et le câble périphérique ne doit pas dépasser 25 m, sinon cela peut causer une atténuation du signal.	Réduisez la distance entre le centre de la pelouse et le câble périphérique à moins de 25 m.
Le Landroid se retourne.	Il y a un obstacle incliné sur la pelouse.	Ôtez l'obstacle du périmètre de travail du Landroid.
Le Landroid ne parvient pas à se connecter à internet.	Veuillez vérifier que votre routeur a les paramètres corrects.	Assurez-vous que vous avez un routeur de 2,4 GHz. Si votre routeur a deux paramètres, veuillez activer la fréquence de 2,4 GHz. Assurez-vous que votre routeur est réglé sur le mode 802.11 et le paramètre sans fil est b/g/n mixed. Assurez-vous que votre routeur a la fonction SSID Broadcast activée lorsque vous connectez la machine avec l'appli. Vous pouvez la fermer après l'avoir connecté avec succès. Assurez-vous que la fonction DHCP est activée. Si vous avez changé de réseau Wi-Fi, vous devez connecter le Landroid au nouveau réseau. Si vous avez un routeur «Fritz!box», assurez-vous d'activer l'option «Allow communication between devices in same network» dans les paramètres.
	Veuillez vérifier si le router est débranché ou la carte WIFI SSID a été changée.	Assurez-vous que le router est branché et qu'il s'agit de la bonne carte WIFI SSID.
Votre Landroid émet un bip lorsque vous ajustez "mois / heure / minute"	Cela est normal	Régler  dans le sens antihoraire.

PROTECTION DE L'ENVIRONNEMENT

 Les déchets d'équipements électriques et électroniques ne doivent pas être déposés avec les ordures ménagères. Ils doivent être collectés pour être recyclés dans des centres spécialisés. Consultez les autorités locales ou votre revendeur pour obtenir des renseignements sur l'organisation de la collecte.

DÉCLARATION DE CONFORMITÉ

Nous,
Positec Germany GmbH
Grüner Weg 10, 50825 Cologne, Germany

Positec déclare que le produit

Description **Robot de fauchage à pelouse**

Modèle **WR165E WR167E WR148E WR147E.1 (100-199 - désignations des pièces, illustration de la Robot de fauchage à pelouse) (Le numéro de série est placé sur la dernière page) avec chargeur de batterie WA3775 / WA3776/WA3750.1/ WA3755.1 et station de recharge WA4002.1**

Fonction **ondeuse à gazon**

Est conforme aux directives suivantes,

2006/42/EC, 2014/30/EU, 2014/35/EU, 2011/65/EU&(EU)2015/863, 2000/14/EC amendée par 2005/88/EC, 2014/53/EU

WR165E WR167E

2000/14/EC amendée par 2005/88/EC

- Procédure d'évaluation de la conformité conformément à **Annex V**
- Niveau de pression acoustique **65.5 dB (A)**
- Niveau d'intensité acoustique **67 dB (A)**

WR148E WR147E.1

2000/14/EC amendée par 2005/88/EC

- Procédure d'évaluation de la conformité conformément à **Annex V**
- Niveau de pression acoustique **61.56 dB (A)**
- Niveau d'intensité acoustique **63 dB (A)**

Notification réalisée par

Nom: Intertek, Semko AB (Organisme notifié0413)

Adresse: Torshamnsgatan 43164 22 Kista Sweden

No de certification: 201002326SHA-V1

Et conforme aux normes,

EN 60335-1:2012+A11+A13+A1+A14+A2:2019, EN 50636-2-107:2015+A1+A2:2020, EN 60335-2-29:2004+A2+A11:2018, EN 62233:2008, EN 55014-1:2017+A11:2020, EN 55014-2:2015, EN IEC 61000-3-2:2019, EN 61000-3-3:2013+A1:2019, EN ISO 3744:2005, EN 300 328 V2.2.2, EN 301 489-1 V2.2.3, EN 301 489-17 V3.2.4, EN IEC 62311:2020, EN 61558-1:2005+A1:2009, EN 61558-2-16:2009+A1:2013, EN 55011:2016+A11:2020, EN 303 447 V1.1.1, EN 55032:2015+A11:2020, EN 55035:2017+A11:2020

La personne autorisée à compiler le dossier technique,

Nom **Marcel Filz**

Adresse **Positec Germany GmbH, Grüner Weg 10, 50825 Cologne, Germany**



2020/12/02

Allen Ding

Ingénieur en chef adjoint, Essais & Certification

Positec Technology (China) Co., Ltd

18, Dongwang Road, Suzhou Industrial

Park, Jiangsu 215123, P. R. China

SICUREZZA DEL PRODOTTO

AVVISI GENERALI PER LA SICUREZZA DEGLI UTENSILI A MOTORE

⚠AVVERTENZA: È assolutamente necessario leggere attentamente tutte le istruzioni. Eventuali errori nell'adempimento delle istruzioni qui di seguito riportate potranno causare scosse elettriche, incendi e/o lesioni gravi.

Leggere accuratamente queste istruzioni per usare la macchina in sicurezza. Conservare tutti gli avvisi e le istruzioni per poterle consultare quando necessario.

- Questo dispositivo non è inteso per l'uso da parte di persone (inclusi i bambini) con capacità fisiche, sensorie o mentali ridotte o con scarsa esperienza e conoscenza del prodotto, a meno che non sia utilizzato sotto la supervisione da parte di persone responsabili per la loro sicurezza.

- I bambini devono essere controllati per garantire che non giochino con il dispositivo.

-La batteria di questo dispositivo può essere sostituita solo da personale qualificato.

AVVERTENZA: Per caricare la batteria, utilizzare solo l'alimentatore rimovibile fornito con il dispositivo.

AVVERTENZA: per ridurre il rischio di lesioni alle persone e danni alla macchina, non rimuovere la batteria prima di spegnere la macchina.

IMPORTANTE

LEGGERE ATTENTAMENTE PRIMA DELL'USO

CONSERVARE PER RIFERIMENTO FUTURO

Procedure per un uso sicuro

ADDESTRAMENTO

- Leggere con attenzione le istruzioni. Acquisire familiarità con i comandi e il corretto funzionamento dell'apparecchio.
- Non permettere mai a bambini o a persone sprovviste delle necessarie competenze di utilizzare l'attrezzo. L'età minima di utilizzo dello stesso può variare a seconda delle diverse normative locali.
- Ricordare che l'operatore o l'utente sono responsabili di incidenti o rischi che dovessero verificarsi ai danni di terzi o delle proprietà.

OPERAZIONI PRELIMINARI

- Accertarsi che il filo perimetrale sia installato correttamente, in base alle istruzioni.
- Ispezionare con attenzione l'area in cui si deve utilizzare il robot tosaerba e togliere tutti gli oggetti che potrebbero essere lanciati dal robot tosaerba.
- Prima dell'uso, verificare visivamente che le lame, i rispettivi bulloni e il gruppo di taglio non siano usurati o danneggiati. In tal caso, sostituire le lame o i bulloni in blocco per mantenere il bilanciamento.
- Su macchine con più lame, prestare attenzione perché ruotando una lama si provoca la rotazione dell'altra lama.
- AVVERTENZA!** Non utilizzare mai il robot tosaerba se le protezioni o i ripari sono danneggiati o senza i gli appositi apparati di sicurezza.

FUNZIONAMENTO

1. Generali

- Non utilizzare mai il robot tosaerba se le protezioni o i ripari sono danneggiati o senza i gli appositi apparati di sicurezza, come i deflettori e di raccolta erba.
- Non avvicinare mani o piedi accanto o sotto le parti rotanti. Nel caso di falciatrici rotative, mantenere costantemente libere le aperture di scarico.
- Non raccogliere, né trasportare il robot tosaerba quando è in funzione.

- d) Spegnere il Landroid:
 - prima di eliminare un ostacolo;
 - prima di controllare, pulire o effettuare lavori sul robot tosaerba.
- e) Non è consentito modificare la versione originale del robot tosaerba. Il produttore declina ogni responsabilità per eventuali modifiche non autorizzate.
- f) Avviare il robot tosaerba, come descritto nelle istruzioni. Quando l'interruttore principale è in posizione ON, assicurarsi di tenere mani e piedi lontani dalle lame rotanti. Non infilare mai le mani o i piedi sotto al tosaerba.
- g) Non sollevare né trasportare il robot tosaerba quando l'interruttore principale è in posizione ON.
- h) Non consentire a persone che non conoscono il funzionamento e il comportamento del robot tosaerba di utilizzarlo.
- i) Non sistemare oggetti sopra al robot tosaerba o alla base di ricarica.
- j) Non utilizzare il robot tosaerba se il disco lame o la scocca presentano difetti. Non utilizzarlo nemmeno se presenta lame, viti, dadi o cavi difettosi.
- k) Spegnere sempre il robot tosaerba quando non si ha intenzione di utilizzarlo. Il robot tosaerba può avviarsi solo se l'interruttore principale è in posizione ON e se è stato inserito il codice PIN corretto.
- l) Tenere mani e piedi lontani dalle lame rotanti. Non mettere mai le mani o i piedi vicino o sotto il corpo quando il robot tosaerba è in funzione.
- m) Evitare di utilizzare la macchina e i suoi accessori in condizioni meteo avverse, specialmente in caso di rischio di caduta di fulmini.
- n) Non toccare parti mobili pericolose prima che si siano completamente arrestate.
- o) Per le macchine utilizzate in aree pubbliche, i segnali di avvertimento devono essere collocati attorno all'area di lavoro della macchina. Mostrano la sostanza del seguente testo:

Attenzione! Tosaerba automatico! Stare lontano dalla macchina! Supervisionare i bambini!

2. Ulteriori informazioni per quando l'apparecchiatura funziona in modalità automatica

- a) Non usare il robot tosaerba in presenza di altre persone, in particolar modo di bambini o di animali domestici.

MANUTENZIONE E CONSERVAZIONE

AVVERTENZA! Se il robot tosaerba viene capovolto, l'interruttore principale deve essere sempre in posizione OFF.

L'interruttore principale deve essere in posizione OFF durante tutti i lavori al sottoscocca del tosaerba, come, ad esempio, la pulizia o la sostituzione delle lame.

- a) Ai fini della sicurezza delle operazioni, accertarsi che tutti i dadi, i bulloni e le viti del robot tosaerba siano saldamente avvitati.
- b) Controllare il robot tosaerba ogni settimana e sostituire le eventuali parti danneggiate o usurate.
- c) Controllare in particolare che le lame e il disco lame siano integri. All'occorrenza, sostituire tutte le lame e le viti contemporaneamente in modo che le parti rotanti siano bilanciate.
- d) Assicurarsi di utilizzare solo ricambi originali.
- e) Assicurarsi che le batterie siano caricate utilizzando il caricabatteria corretto consigliato dal costruttore. L'uso non corretto potrebbe causare folgorazioni, surriscaldamento o perdite di liquidi corrosivi dalla batteria.
- f) Nel caso di perdite di elettroliti, lavare con acqua/un agente neutralizzante, chiedere l'aiuto di un medico nel caso vengano a contatto con gli occhi, ecc;
- g) La manutenzione del robot tosaerba deve essere eseguita seguendo le istruzioni del costruttore.

Suggerimento

Collegare la macchina e/o i suoi accessori solo a un circuito di alimentazione protetto da un dispositivo di corrente residua (RCD) con corrente di intervento non superiore a 30 mA.

Rischi residui

Per evitare infortuni, indossare guanti produttivi quando si sostituiscono le lame.

Trasferimento

Per i trasporti più lunghi, si raccomanda di riporre il robot tosaerba nell'imballaggio originale.

Per un trasferimento sicuro dall'area di lavoro o al suo interno:

a) fermare il tagliaerba premendo il tasto STOP;

Si sceglie il PIN a quattro cifre quando si avvia il tagliaerba per la prima volta.

b) spegnere sempre il robot tosaerba se si ha intenzione di trasportarlo;

c) afferrare il robot tosaerba per l'impugnatura presente nella parte anteriore, nella parte posteriore.

Trasportare il robot tosaerba con il disco lame lontano dal corpo.

Requisiti di esposizione RF

Requisiti di esposizione RF

Per soddisfare i requisiti relativi all'esposizione RF, è necessario mantenere una distanza di separazione di almeno 200mm tra questo dispositivo e le persone durante il funzionamento del dispositivo.

Per garantire la conformità, non è consigliabile eseguire operazioni a distanze più ravvicinate. L'antenna utilizzata per questo trasmettitore non deve essere collocata in congiunzione con altre antenne o trasmettitori.

Istruzioni per la sicurezza del pacco batteria

a) Non smontare, aprire o strappare le cellule secondarie o il pacco batteria.

b) Non cortocircuitare un pacco batteria. Non conservare un pacco batteria disordinatamente in una scatola o un cassetto in cui potrebbero cortocircuitarsi tra essi o essere cortocircuitati da altri oggetti metallici. Quando il pacco batteria non è in uso, tenerlo lontano da altri oggetti metallici come graffette, monete, chiavi, chiodi, viti e altri piccoli oggetti metallici, potrebbe avverarsi un collegamento tra i due terminali. Collegare i terminali della batteria potrebbe causare incendi o ustioni.

c) Non esporre il pacco batteria a calore o fuoco. Evitare di conservarli alla luce diretta del sole.

d) Non sottoporre il pacco batteria a scosse meccaniche.

e) In caso di perdite da una cellula, evitare che il liquido entri in contatto con la pelle o gli occhi. In caso di contatto, lavare l'area interessata con abbondante acqua e consultare un medico.

f) Se si ingerisce una cellula o un pacco batteria, consultare immediatamente un medico.

g) Tenere le cellule e il pacco batteria puliti e asciutti.

h) Pulire i terminali delle cellule e del pacco batteria con un panno pulito e asciutto nel caso in cui si sporchino.

i) Il pacco batteria deve essere caricato prima dell'uso. Utilizzare sempre il caricatore corretto e consultare le istruzioni.

j) Non lasciare un pacco batteria in carica se non in uso.

k) Dopo lunghi periodi di conservazione, potrebbe essere necessario caricare e scaricare le cellule o il pacco batteria diverse volte per ottenere le massime prestazioni.

l) Ricaricare solo con il caricatore specificato da Worx. Non utilizzare caricatori diversi da quelli forniti per l'uso specifico con l'apparecchiatura.

m) Non utilizzare un pacco batteria non progettato per l'uso con l'apparecchiatura.

n) Tenere il pacco batteria fuori dalla portata dei bambini.

o) Conservare i documenti originali del prodotto per riferimenti futuri.

p) Rimuovere la batteria dall'apparecchiatura, se non in uso.

q) Smaltire adeguatamente.

r) Non mischiare batterie di diverse marche, capacità, dimensioni o tipologia nello stesso dispositivo.

s) Non rimuovere anzitempo il pacco batterie dalla sua confezione originale.

t) Fare attenzione ai segni più (+) e meno (-) sulla batteria e accertarsi di utilizzarla nel modo corretto.

SIMBOLI SU LANDROID



AVVERTENZA – In caso di uso improprio, il robot tosaerba può essere pericoloso. Leggere attentamente le istruzioni per l'uso e comprenderne il significato prima di utilizzare il robot tosaerba.



AVVERTENZA - Tenere gli astanti a distanza di sicurezza.



AVVERTENZA – Spegnere la macchina prima di sottoporla a manutenzione o di sollevarla.



AVVERTENZA – Non salire sopra il robot tosaerba.



Batteria agli ioni di litio. Questo prodotto è stato contrassegnato con un simbolo relativo alla “raccolta differenziata” per tutti i pacchi batteria. Sarà pertanto riciclato o smontato al fine di ridurre l'impatto ambientale. I pacchi batteria possono essere nocivi per l'ambiente e per la salute delle persone, in quanto possono contenere sostanze pericolose.



Non bruciare



Se le batterie non sono disposte in modo appropriato, potrebbero entrare nel ciclo dell'acqua, il che può essere un pericolo per l'ecosistema. Non disporre le batterie usate come rifiuti urbani non differenziati.



Proibire di smontare la macchina senza autorizzazione



I prodotti elettrici non possono essere gettati tra i rifiuti domestici. L'apparecchio da rottamare deve essere portato al centro di riciclaggio per un corretto trattamento. Controllare con le autorità locali o con il rivenditore per localizzare il centro di riciclaggio più vicino.



Dispositivo di Classe III



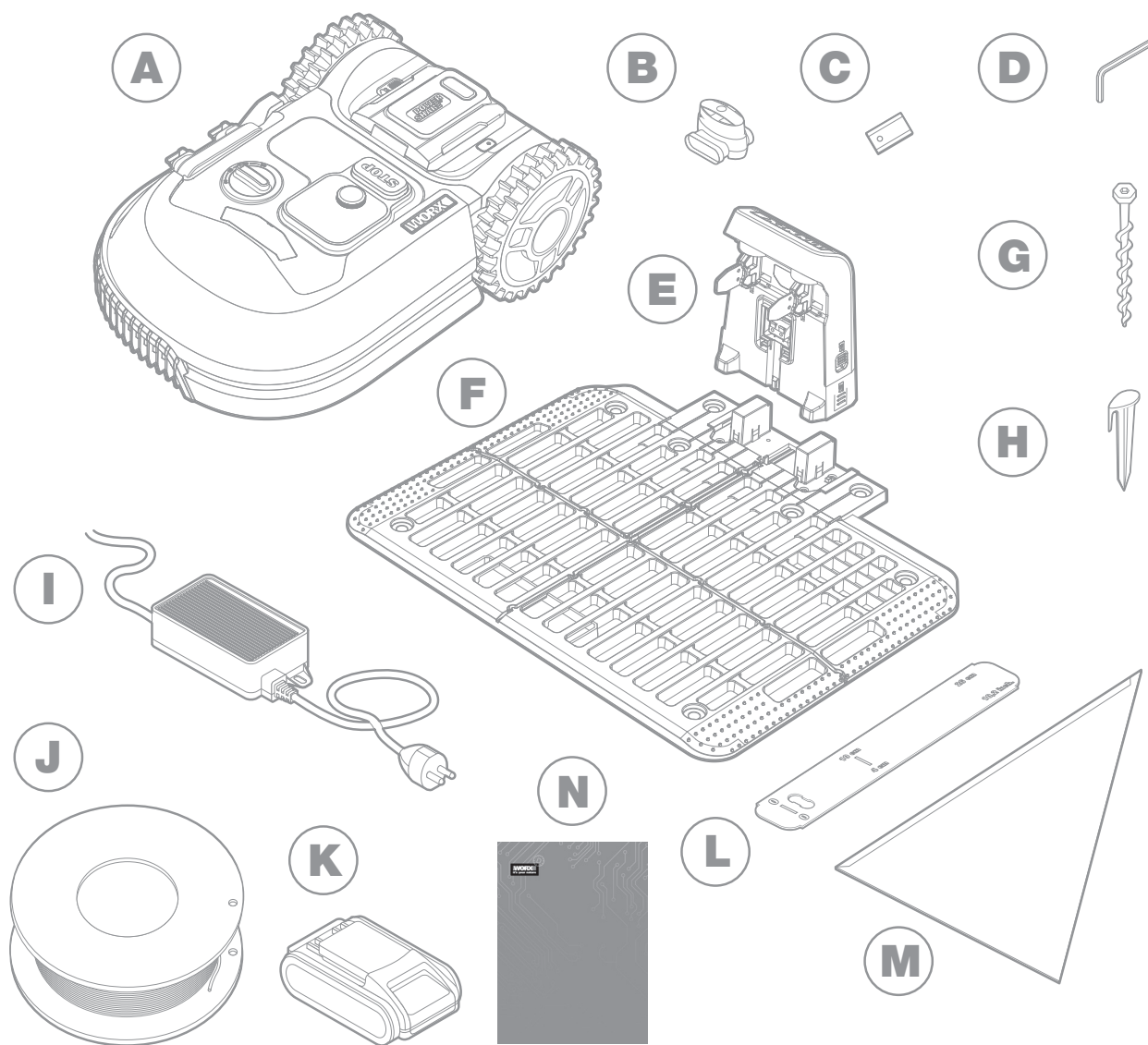
Leggere il manuale di istruzioni



Unità di alimentazione rimovibile

Il tuo Landroid può essere utilizzato con altri accessori funzionali Worx. Visita www.worxlandroid.com per saperne di più su queste opzioni di accessori disponibili.

**COMPONENTI DEL ROBOT TOSAERBA
NELLA CONFEZIONE**



L'immagine è a scopo esemplificativo

A Worx Landroid

B Connettori per filo perimetrale

C Set di lame di ricambio

D Chiave esagonale

E Carica batteria

F Base di ricarica

G Viti

H Picchetti

I Trasformatore

J Filo perimetrale

K Batteria 20V

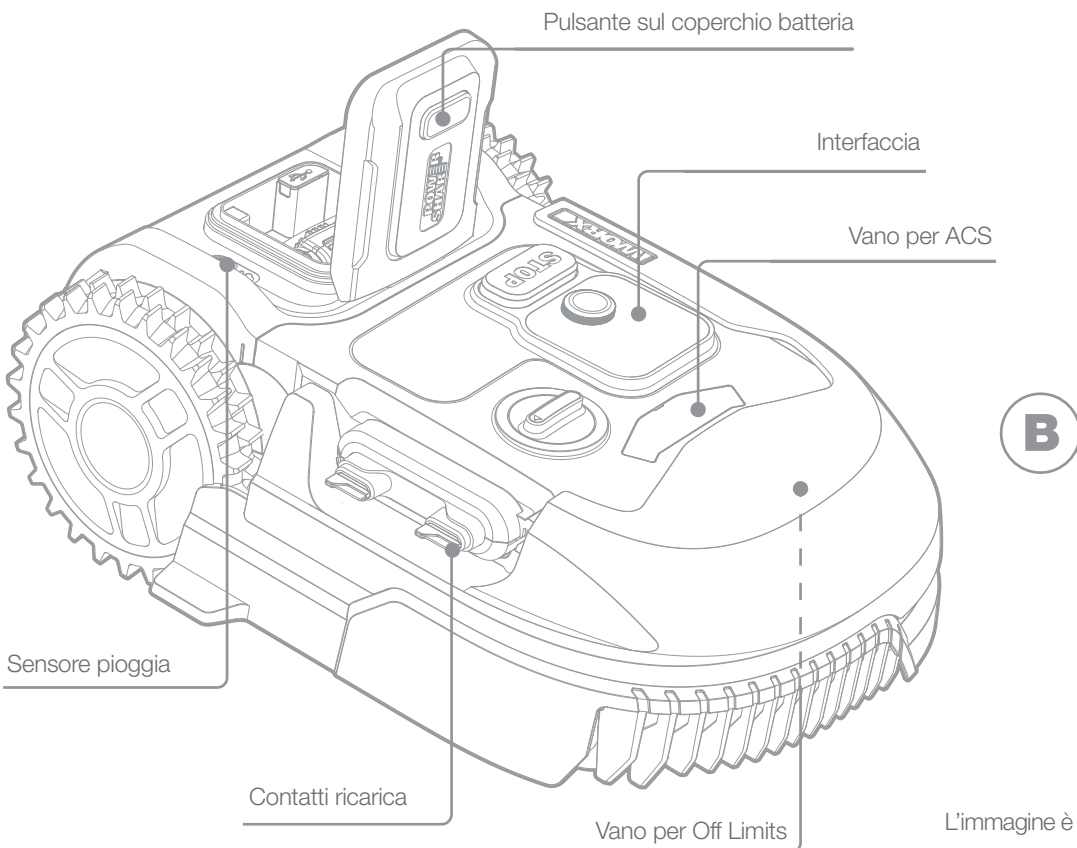
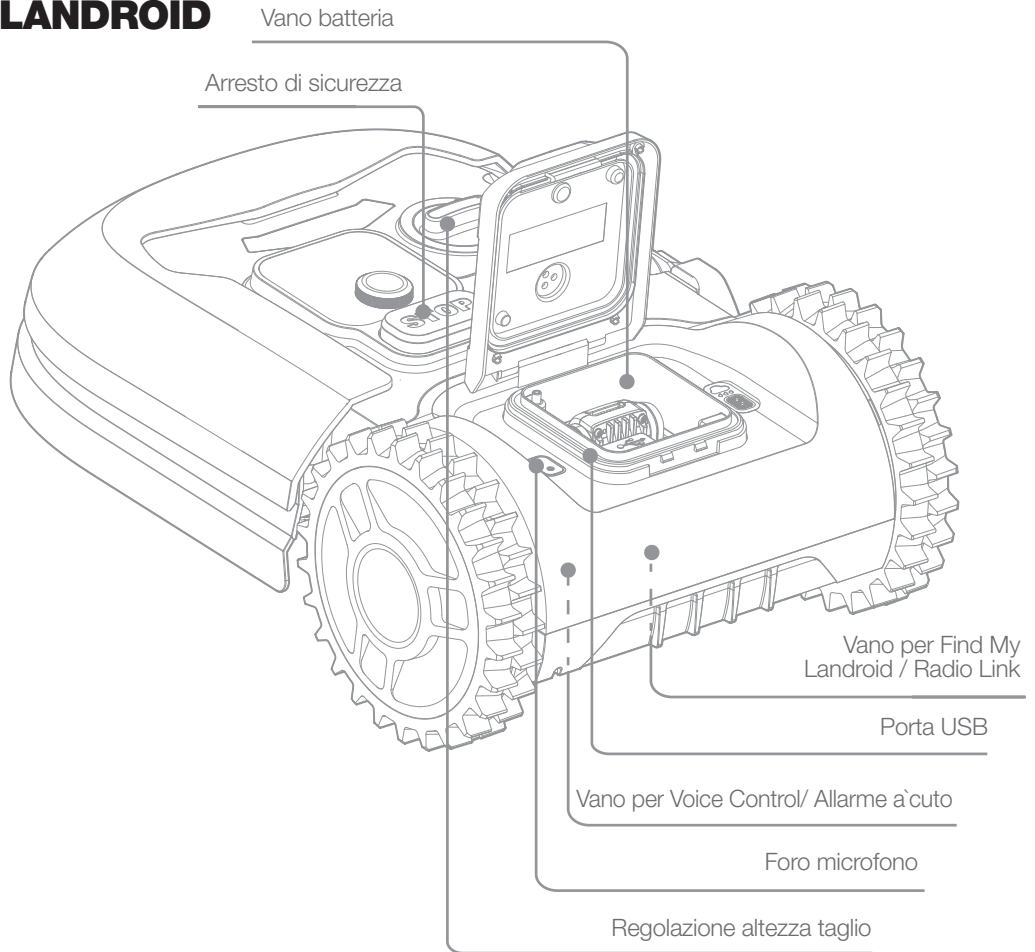
L Dime per distanziamento del filo perimetrale

M Squadretta di Bertelsen

N Manuali

ELEMENTI DI LANDROID

A



B

L'immagine è a scopo esemplificativo


DATI TECNICI

Codice **WR165E WR167E WR148E WR147E.1(100-199 - Designazione del macchinario, rappresentativo della Robot tosaerba)**

	WR165E	WR167E	WR148E	WR147E.1
Potenza nominale	20 V Max.*			
Velocità a vuoto nominale (/min)	2800		2400	
Superficie di taglio (m ²)	500	700	800	1000
Diametro di taglio (cm)	18		20	
Altezza di taglio (mm)	30-60			
Posizioni altezza di taglio	4			
Tipo di batteria	Litio			
Modello batteria	WA3551.3	WA3553.3	WA3551.3	WA3553.3
Tempo di ricarica circa. (mins)	75	150	75	75
Modello caricatore	WA3750.1/ WA3755.1			WA3775 / WA3776
Potenza caricabatteria	Ingresso: 100-240 V~50/60 Hz, 38 W, Uscita: 20V , 1.5 A			Ingresso:100-240 V~50/60 Hz, 90 W, Uscita: 20 V , 3.0 A
Peso Macchina (kg)	9.5	9.8	11.7	12
Classe protezione	III			
App(Wi-Fi/Bluetooth)	Y			
Banda di frequenza del modulo WLAN integrato	2.412GHz-2.484GHz			
Massima potenza in radiofrequenza del modulo WLAN integrato	802.11b:+16±2dBm(@11Mbps) 802.11g:+14±2dBm(@54Mbps) 802.11n:+13±2dBm(@HT20,MCS7)			
Banda di frequenza dei sistemi a circuito induttivo	77 Hz			
Massima potenza di radiofrequenza dei sistemi a circuito induttivo	82 dBµA/m			

* Tensione misurata senza carico di lavoro. La tensione iniziale della batteria raggiunge un massimo di 20 Volt. La tensione nominale è di 18 Volt.

DATI RELATIVI AL RUMORE

	WR165E	WR167E	WR148E	WR147E.1
Pressione acustica ponderata	$L_{pA} = 45.5 \text{ dB(A)}$		$L_{pA} = 40.68 \text{ dB(A)}$	
	$K_{pA} = 0.6 \text{ dB(A)}$		$K_{pA} = 1.36 \text{ dB(A)}$	
Potenza acustica ponderata	$L_{wA} = 65.5 \text{ dB(A)}$		$L_{wA} = 61.56 \text{ dB(A)}$	
	$K_{wA} = 0.6 \text{ dB(A)}$		$K_{wA} = 1.36 \text{ dB(A)}$	
Indossare protezione per le orecchie quando la pressione acustica è superiore a 80dB(A). 				

Un certo livello di rumore prodotto dalla macchina è inevitabile. Per eseguire lavori rumorosi è necessario essere autorizzati e farlo solo in determinati momenti. Per rispettare i periodi di riposo potrebbe essere necessario ridurre al minimo le ore di lavoro. Per proteggere il proprio udito e quello delle persone che lavorano nelle vicinanze, indossare un dispositivo di protezione acustica adeguato.

ACCESSORI

	WR165E	WR167E	WR148E	WR147E.1
Viti	9	9	9	9
Base di ricarica	1	1	1	1
Chiodi di ancoraggio della base di ricarica	8	8	8	8
Filo perimetrale	130m	150m	150m	180m
Picchetti di fissaggio	180	210	210	250
Chiave esagonale	1	1	1	1
Distanziatori del filo perimetrale	2	2	2	2
Lame	9	9	9	9
Connettore	2	2	2	2
Batteria(WA3551.3)	1	/	1	/
Batteria(WA3553.3)	/	1	/	1
Caricabatteria (WA3750.1/ WA3755.1)	1	1	1	/
Caricabatteria (WA3775 / WA3776)	/	/	/	1

Si raccomanda di acquistare tutti gli accessori nello stesso negozio in cui è stato acquistato l'attrezzo. Fare riferimento alla confezione dell'accessorio per altri dettagli. Il personale del negozio può aiutarvi e consigliarvi.

USO CONFORME ALLE NORME

Questo prodotto è stato progettato per tosare l'erba di prati domestici. È progettato per falciare spesso, mantenendo il prato più vigoroso e bello che mai. In base alle dimensioni del prato, Landroid può essere programmato per funzionare in qualsiasi orario e con qualsiasi frequenza. Non è concepito per scavare, spazzare o sgombrare la neve.

MANUTENZIONE

Landroid lavora davvero sodo e ha bisogno di essere pulito e controllato di tanto in tanto. Questa sezione del manuale ti da alcuni suggerimenti su come prenderti cura del tuo Landroid in modo che possa durare per anni senza problemi. Ecco come. Prima di qualsiasi intervento di assistenza o manutenzione spegnere il robot tosaerba.

SEMPRE AFFILATO

Landroid non taglia l'erba come gli altri rasaerba. Le sue lame sono affilate come rasoi su entrambi i lati e ruotano in entrambe le direzioni conferendo la massima capacità di taglio.

A . Il disco delle lame effettua una rotazione sia in senso orario che antiorario per utilizzare entrambi lati delle lame e ridurre al minimo i tempi della loro sostituzione

B. La durata delle lame, basata su un lavoro giornaliero è di due mesi circa

C. Controlla con regolarità se le lame sono scheggiate o danneggiate e, in questa eventualità, cambiale

D. Quando le lame sono scheggiate o consumate, dovrebbero essere sostituite con le lame di ricambio fornite in dotazione .Le lame di ricambio sono disponibili anche presso il tuo rivenditore più vicino

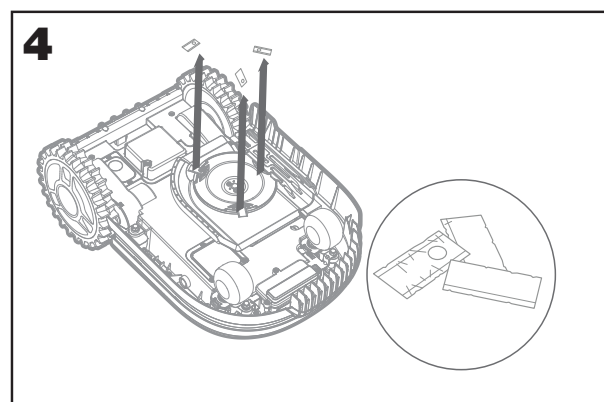
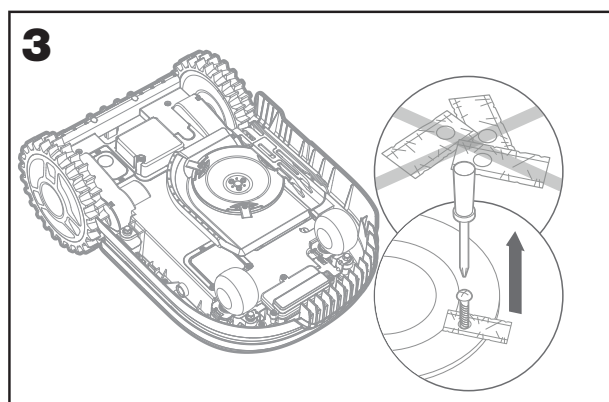
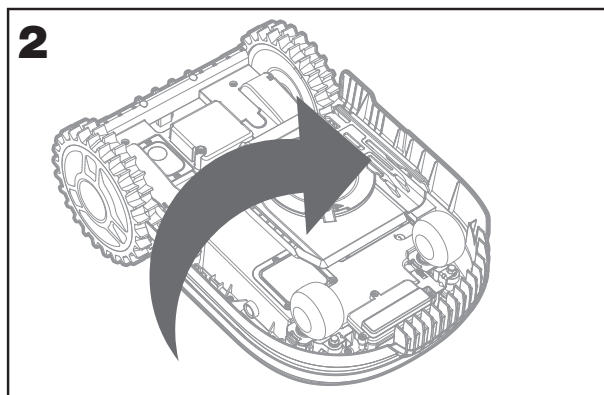
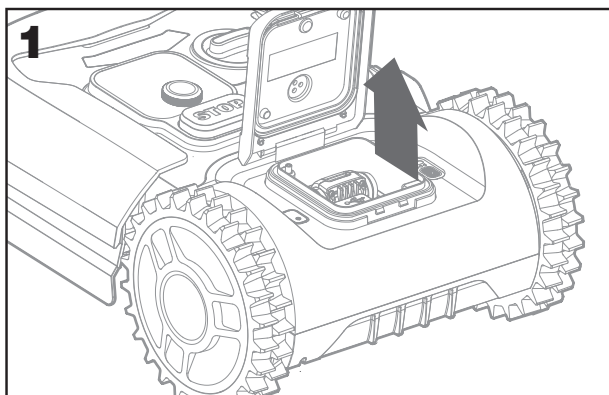
⚠ATTENZIONE! Prima di controllare, pulire o cambiare le lame, SPEGNI sempre Landroid e rimuovi la batteria. Indossa sempre dei guanti di protezione.

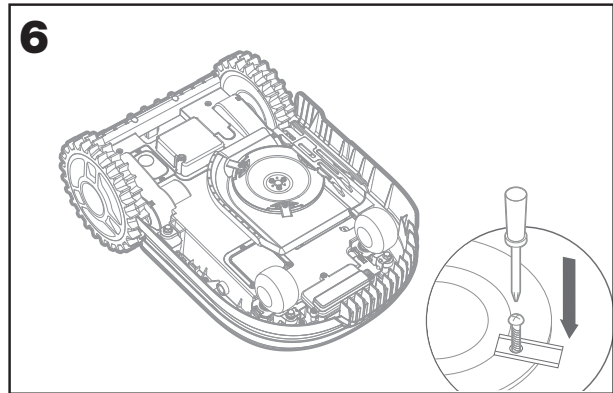
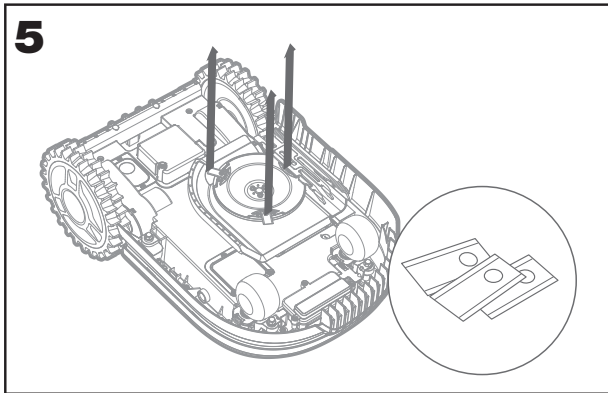
1. Cambiare le lame

Rimuovi la batteria (fig. 1) e capovolgi delicatamente la macchina (fig.2)

Togli le viti usando un cacciavite (fig. 3 - 4)

Monta le lame nuove assicurandoti di stringerle adeguatamente quando le avviti (fig. 5 - 6)



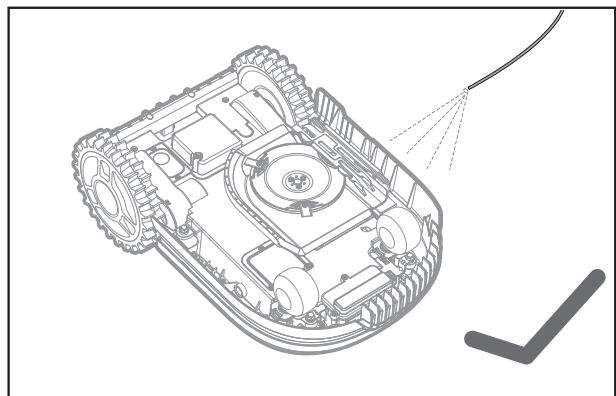
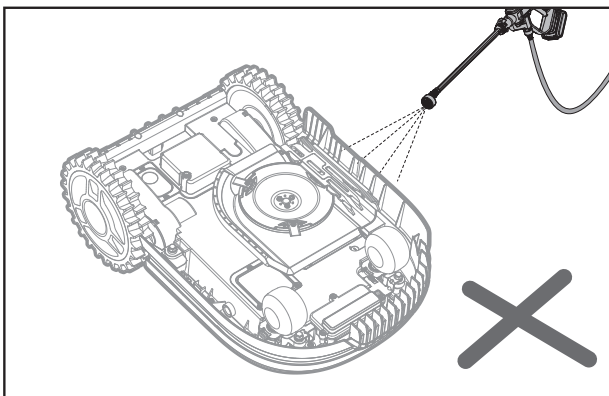


- ⚠ Attenzione:** quando monti le lame nuove, assicurati di cambiarle TUTTE.
- Usa sempre viti nuove quando cambi le lame. È importante per garantire l'integrità delle lame e il bilanciamento del disco. Il mancato utilizzo di viti nuove potrebbe causare incidenti e gravi lesioni
 - Importante: dopo aver cambiato le lame, assicurati che il disco giri liberamente

SEMPRE PULITO

Pulire Landroid con regolarità aiuta a mantenerlo in buone condizioni. Rimuovi lo sporco, i detriti e gli accumuli di erba che si formano durante le sessioni di taglio. Spegni sempre Landroid prima di pulirlo. Per maggiore sicurezza rimuovi la batteria

- ⚠ Attenzione:** assicurarsi che il coperchio del pacco batteria sia chiuso quando lavaggiare il Landroid.
- ⚠ AVVERTIMENTO!** Si può lavare il tuo Landroid solo con un tubo flessibile! **NON** utilizzare l'idropulitrice ad alta pressione su Landroid. L'acqua ad alta pressione può penetrare nelle guarnizioni e danneggiare le parti elettroniche e meccaniche.



1. Pulizia del corpo

- A. Usa un nebulizzatore riempito solo con acqua. Non usare solventi o abrasivi.
- B. Utilizza un pennello o un panno pulito per rimuovere lo sporco accumulato.

2. Pulizia della scocca

- A. Pulizia della scocca.
- B. Rimuovi i detriti e i residui d'erba utilizzando un pennello.
- C. Fai attenzione a non toccare le lame a mani nude. Indossa sempre guanti di protezione.
- D. Pulisci il disco delle lame, la scocca e la ruota frontale con una spazzola morbida o uno straccio umido.
- E. Fai ruotare il disco lame per assicurarti che giri liberamente. Rimuovi eventuali ostruzioni. Rimuovi eventuali detriti che si sono depositati perché non causino crepe sul disco lame. Anche le crepe più piccole possono influire negativamente sulle prestazioni del disco.
- F. Assicurati che le lame girino liberamente attorno alle viti. Rimuovi eventuali ostacoli.

3. Pulizia delle ruote motrici

- A. Rimuovi il fango dalle ruote per garantire una buona aderenza del battistrada.

4. Pulizia dei contatti per la ricarica

- A. Pulisci le strisce di ricarica sulla base e i pin di contatto sulla macchina usando un panno
- B. Rimuovi periodicamente i detriti e ogni accumulo d'erba che si forma attorno ai contatti in modo che Landroid possa ricaricarsi sempre senza intoppi.

SEMPRE CARICO

Il cuore di Landroid è la sua batteria Worx Powershare 20V Li-Ion.

- A. Per una corretta conservazione della batteria, assicurati che sia completamente carica e conservata in un luogo fresco e asciutto
- B. La temperatura di funzionamento consigliata è compresa tra 0 e 55°C
- C. Il ciclo di vita della batteria di Landroid dipende anche dal tempo di utilizzo complessivo

1. Landroid può essere caricato manualmente senza il filo perimetrale

- A. Collega la base di ricarica all'alimentazione. La luce verde sulla base si accenderà.
- B. Spegni Landroid e posalo manualmente sulla base di ricarica.
- C. La luce verde sulla base di ricarica inizierà a lampeggiare e Landroid inizierà a caricarsi.

SEMPRE PROTETTO DURANTE L'INVERNO

Sebbene Landroid sia progettato e costruito per sopravvivere alle più severe condizioni atmosferiche, consigliamo di riporlo nella rimessa o in garage durante l'inverno. Per prepararlo al letargo invernale:

- A. Puliscilo accuratamente
- B. Carica la batteria ogni due mesi
- C. Spegnilo

1. Tornare al lavoro in primavera

Quando arriva il momento preparare Landroid per la nuova stagione, controlla quanto segue:

- A. Aggiorna le impostazioni di ora e data tramite app
- B. Qualora ci fossero segni di ossidazione sui contatti di ricarica di Landroid e della basedi ricarica, puliscili con un panno abrasive di alta qualità
- C. Ricarica completamente la batteria prima di avviare Landroid al taglio

SEMPRE AGGIORNATO

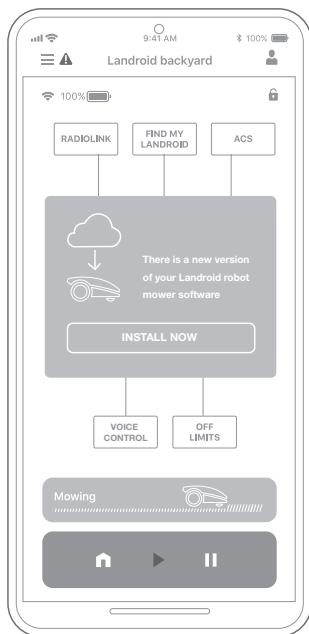
Landroid is always improving and new software versions are made available for free. Always keep Landroid software updated to makethe most of your machine.

1. Aggiornamenti automatici

Se il tuo Landroid è connesso alla rete Wi-Fi, ti verrà comunicato tramite l'app quando il nuovo software è disponibile. Una volta confermato, l'aggiornamento avverrà automaticamente Over-the-Air.

2. Verifica la versione del software installato

Il numero della versione del software viene mostrato quando Landroid viene acceso.



3. Aggiornamento manuale

Se il tuo Landroid non è connesso alla rete Wi-Fi, puoi comunque aggiornare il software con una chiavetta USB.

- A. Visita regolarmente il sito Worx Landroid per verificare se è disponibile un nuovo aggiornamento. Se ti sei iscritto alla mailing list di Landroid, riceverai una notifica quando sarà disponibile una nuova versione
- B. Scarica la versione aggiornata del software dal nostro sito
- C. Decomprimi il file sul tuo computer


- D. procurati una chiavetta USB vuota e formattata in FAT32
 - E. Salva il file decompresso nella chiavetta USB
 - F. Posiziona Landroid su di una superficie pianeggiante
 - G. Spegni Landroid
 - H. Puoi trovare la porta USB sul retro di Landroid.
 - I. Inserisci la chiavetta USB nella porta
 - J. Posiziona nuovamente Landroid sul prato all'interno dell'area di lavoro delimitata dal filo perimetrale
 - K. Accendi Landroid
 - L. Senza sollevare Landroid, rimuovere la chiavetta USB quando viene visualizzato "Rimuovere la chiave USB"
 - M. L'aggiornamento inizierà automaticamente e potrebbe richiedere alcuni minuti. Landroid si riavvierà automaticamente al termine dell'aggiornamento
- OTA: assicurati che Landroid sia all'interno dell'area di lavoro prima di riavviarlo.

MESSAGGI DI FUNZIONAMENTO

MESSAGGIO AZIONE LANDROID	MESSAGGIO AZIONE LANDROID
Tagliando l'erba	Taglio dell'erba secondo il programma di falciatura.
Piove	Il sensore pioggia rileva l'acqua. Landroid tornerà alla stazione di ricarica e rimarrà in questa posizione fino a quando non verrà programmata. Dopo l'asciugatura, Landroid avvia automaticamente il conto alla rovescia per il ritardo della pioggia e poi torna allo stato di falciatura. Se vuoi falciare Landroid prima di allora, spegnilo e riaccendilo, ma solo quando il sensore pioggia è asciutto, oppure puoi eliminare completamente il ritardo pioggia impostando il tempo di ritardo pioggia su zero.
Torna a casa	Deve essere ricaricato: la lama di taglio si ferma sulla strada per la base
Carica	Visualizza "carica" e la percentuale di carica.
Nessun orario di lavoro	Standby, deve essere programmato come richiesto.
non funziona oggi	Lo standby inizierà in base al programma di taglio.
Lavoro svolto oggi	
Ricerca per area	In base all'impostazione di "Spazio di lavoro personalizzato", Landroid sta cercando
finito di caricare	Landroid ha completato la ricarica.
Ricarica di emergenza	Ricarica di emergenza Landroid si sta caricando quando è spento.

MESSAGGI DI ERRORE

A volte le cose possono andare storte. Fortunatamente Landroid è abbastanza intelligente da dirti se ha un problema, quindi lo puoi sistemare. In caso di dubbi, visita il nostro sito Web dove troverai video utili e ulteriore supporto.

MESSAGGIO	CAUSA	AZIONE
	Il coperchio del pacco batteria non è chiuso	Chiudere il coperchio del pacco batteria
Fuori area lavoro! Premi START per resettare.	Landroid non trova il segnale del filo perimetrale	1. Se Landroid è effettivamente fuori dall'area di lavoro, spegni Landroid portarlo all'interno dell'area di lavoro, accendilo e premi START. 2. Se Landroid si trova all'interno dell'area di lavoro, verifica se il LED sulla base di ricarica è verde fisso. Se è rosso, controlla se il filo perimetrale è collegato correttamente alla base di ricarica e se la base è collegata a un'alimentazione adeguata. Se sono collegati correttamente, le estremità del filo perimetrale sono collegate in modo errato alla base e devono essere invertite.
PIN ERRATO! Riprovare.	il codice PIN è errato.	Inserisci il PIN esatto o resetta il PIN.
Motore lama bloccata! Premi START per resettare.	Il disco delle lame è bloccato da un oggetto, ad esempio un ramo.	Spegni Landroid. Capovolgilo delicatamente, controlla se c'è qualcosa che impedisce al disco di ruotare e rimuovi eventuali ostruzioni. Rimetti Landroid dritto. Accendilo e premi START.
	Il disco delle lame è sovraccaricato da erba densa o spessa.	Spegni Landroid. Porta Landroid in un'area con erba bassa e regola l'altezza di taglio su una posizione più alta. Accendi Landroid e premi START.
Motore ruote bloccato! Premi START per resettare.	Il motore delle ruote è bloccato da qualcosa.	Spegni Landroid e portalo in un'area libera da ostacoli. Accendilo e premi START. Se l'errore persiste, spegni Landroid. Capovolgilo delicatamente, controlla se c'è qualcosa che impedisce alle ruote di girare e rimuovi eventuali ostruzioni. Rimetti Landroid dritto. Accendilo e premi START.
Capovolto! Premi START per resettare.	Può succedere quando Landroid entra in contatto con una superficie inclinata che lo fa capovolgere.	Rimuovi l'ostacolo che ha causato il ribaltamento.
Tosaerba bloccato! Premi START per resettare.	Landroid è intrappolato.	Spegni Landroid. Portalo in un'area del prato libera da ostacoli, quindi accendilo. Premi START. Se il messaggio continua ad essere visualizzato, spegni Landroid e capovolgilo. Controlla se c'è qualcosa che impedisce alla ruota di girare. Rimuovi eventuali ostruzioni, rimetti Landroid dritto e accendilo.
Tosaerba sollevato! Premi START per resettare.	Landroid è sollevato.	Spegni Landroid. Portalo in un'area del prato libera da ostacoli, quindi accendilo. Premi START. Se il messaggio continua ad essere visualizzato, spegni Landroid e capovolgilo. Controlla se c'è qualcosa che causa il sollevamento di Landroid. Rimuovi eventuali ostruzioni, rimetti Landroid dritto e accendilo.

Tensione batteria critica! Sostituire batteria.	Batteria scarica.	Spegni Landroid e posizionarlo manualmente nella base di ricarica. Sul display verrà visualizzato “Carica di emergenza” e Landroid inizierà a caricarsi. Se il messaggio di errore persiste significa che la batteria è danneggiata e dev’essere sostituita.
Filo perimetrale mancante! Premi START per resettare.	Landroid non trova il segnale del filo perimetrale.	Se la luce sulla base è rossa, controlla che il filo perimetrale sia collegato correttamente alla base di ricarica. Se il problema persiste, controlla che il filo perimetrale non sia rotto in qualche punto.
Temperatura batteria fuori range! Attendere.	La temperatura è troppo alta (più di 55°C) o troppo bassa (meno di 0°C) durante la ricarica.	Posizionare la base di ricarica in un’area ombreggiata o attendere che torni a una temperatura normale
Impossibile trovare la base di ricarica! Premi START per resettare.	Il filo perimetrale supera la sua massima estensione di 350m e il raserba non ha energia residua sufficiente a tornare alla base di ricarica.	Porta Landroid alla base di ricarica manualmente.
Tosaerba bloccato!	Con la funzione ‘Blocco’ abilitata, se Landroid non riceve il segnale dalla tua rete Wi-Fi per 3 giorni, si blocca come misura di sicurezza. Può accadere perché il tuo router è rimasto off-line o perché hai cambiato router o provider.	Riconnetti Landroid alla rete WiFi con cui è stato originariamente associato. Se non è possibile farlo, contatta il servizio clienti.

NOTA


- A. Prima di accenderlo, controlla sempre che Landroid sia all’interno dell’area di lavoro. In caso contrario, il messaggio ‘Fuori area lavoro! Premi START per resettare’ apparirà sul display. Questo messaggio viene visualizzato anche quando Landroid è solo parzialmente all’interno dell’area di lavoro
- B. Se per qualsiasi ragione—ad esempio per una festa, perché i bambini giocano...—vuoi che Landroid stazioni alla base, premi Home e poi OK. Landroid tornerà alla base e vi rimarrà fino alla prossima sessione di taglio programmata. Se vuoi riavviarlo in qualsiasi momento, premi START e poi OK
- C. Se un errore si verifica ripetutamente nella stessa zona del prato, ci potrebbe essere un problema con il filo perimetrale. Fai riferimento alle istruzioni di installazione e verifica che la configurazione sia corretta
- D. Se il tuo prato è diviso in due aree separate collegate da un corridoio largo meno di 1m, e una è provvista della base di ricarica, quando Landroid esaurisce la batteria, portalo manualmente alla base di ricarica
- E. Se Landroid si comporta in modo anomalo una volta ogni tanto, resettalo spegnendolo e rimuovendo la batteria per 30 secondi, quindi riavvialo. Se il problema persiste, si prega di contattare il nostro servizio clienti.

RISOLUZIONE DEI PROBLEMI


Se il tuo Landroid non funziona correttamente, controlla la guida alla risoluzione dei problemi riportata di seguito. Se l'errore persiste, contatta l'assistenza clienti.

SINTOMO	CAUSA	SOLUZIONE
La spia sulla base di ricarica non si accende.	Non c'è tensione.	Controlla che tutte le parti dell'alimentazione siano collegate correttamente.
La spia sulla base di ricarica è rossa.	Il filo perimetrale non è collegato.	Controlla che il filo perimetrale sia collegato correttamente alla base di ricarica. Controlla che non ci siano interruzioni /danni sul filo perimetrale.
Landroid si accende, ma le lame non girano.	Landroid sta cercando la base di ricarica.	È normale: quando Landroid deve ricaricarsi, si mette alla ricerca della base di ricarica. In questo frangente il taglio è sospeso.
Landroid vibra.	Il disco lame non è bilanciato. Le lame potrebbero essere danneggiate.	Controlla le lame e cambiale se danneggiate. Rimuovi i detriti dalle lame e/o dal disco lame.
L'erba non viene tagliata in modo uniforme.	Landroid non lavora abbastanza ore al giorno per tagliare l'erba.	Aggiungi più ore di lavoro alla programmazione giornaliera.
	L'area di lavoro è troppo grande per il tuo modello di Landroid.	Prova a diminuire la dimensione dell'area di lavoro o aumentando il tempo di lavoro.
	Le lame sono scheggiate o non affilate.	Cambia tutte le lame e le viti per avere un bilanciamento ottimale del disco lame.
	L'altezza di taglio è troppo bassa per l'altezza dell'erba.	Aumenta l'altezza di taglio e poi diminuiscila gradualmente.
	Dell'erba o altro materiale è avvolto attorno al disco lame.	Controlla il disco lame e rimuovi l'erba qualsiasi cosa che impedisca al disco lame di girare correttamente.
	C'è un accumulo di erba nel disco delle lame o nella griglia di protezione delle lame.	Assicurati che il disco lame scorra facilmente. Se necessario, è possibile rimuovere il disco della lama e rimuovere i detriti.
Landroid si trova all'interno dell'area di lavoro e il cavo perimetrale è collegato, ma il display mostra "Fuori dall'area di lavoro! Premere START per ripristinare"	Le estremità del filo perimetrale sono inserite in modo errato.	Inverti le estremità del cavo perimetrale sulla base di ricarica.
Il tempo di ricarica è più lungo del normale.	Connessione debole dovuta a contatti ossidati o sporchi.	Pulisci i contatti sulla base di ricarica e quelli sul Landroid con un panno.
	La protezione da surriscaldamento si è attivata.	Posiziona la base di ricarica in un'area ombreggiata o attendi che la temperatura si sia raffreddata.
Landroid non si ricarica.	Non c'è tensione.	Controlla che tutte le parti dell'alimentazione siano collegate correttamente. Accertati che entrambi i contatti sul rasaerba tocchino il centro delle strisce di contatto sulla base di ricarica.

Landroid lavora meno tra una ricarica e l'altra.	Qualcosa intasa il disco della lama creando attriti e aumentando il consumo di energia.	Togli il disco della lama e puliscilo. È possibile che l'erba sia troppo alta e troppo spessa.
	Landroid vibra pesantemente perché il disco della lama è sbilanciato.	Controlla il disco lama e le lame, rimuovi i detriti e gli oggetti estranei dalle lame e dal disco lama. Sostituisci le lame con un nuovo set.
	La batteria potrebbe essere esaurita o vetusta.	Sostituisci la batteria.
	L'orario di lavoro è terminato	ripristinare l'orario di lavoro
Landroid non lavora quando dovrebbe.	L'orologio non è impostato sull'ora corretta.	Imposta l'orologio sull'ora corretta.
	I tempi di taglio programmati per Landroid non sono corretti.	Modifica le impostazioni di inizio e fine lavoro.
	L'Imposta della percentuale corretta tramite APP può modificare la percentuale di tempo	di funzionamento settimanale impostata
Landroid non riesce ad agganciarsi correttamente alla base di ricarica.	Fattori ambientali.	Riavvia Landroid.
	Scarsa connessione causata da detriti sui contatti.	Pulisci i contatti sulla base di ricarica e quelli su Landroid usando un panno.
La luce verde sulla base di ricarica si accende prima che la carica sia completata.	la base di ricarica è surriscaldata o troppo fredda	Posizionare la base di ricarica in un'area ombreggiata o attendere che torni a una temperatura normale
Le ruote di Landroid slittano ripetutamente.	Ostacoli come ramoscelli possono essersi incastrati sotto Landroid.	Rimuovi gli ostacoli incastrati sotto la macchina.
	Il prato è troppo bagnato.	Aspetta che il prato si asciughi.
Landroid esce dal filo perimetrale. Landroid non taglia una zona all'interno del filo perimetrale. Landroid arretra e/o ruota su se stesso vicino al cavo perimetrale.	Il filo perimetrale di un altro Landroid o di un altro robot rasaerba è posizionato troppo vicino.	Manitieni il filo perimetrale ad almeno 1m di distanza dal perimetro del tuo vicino.
	In condizioni di umidità, il filo perimetrale può perdere segnale dove il cavo è stato unito o riparato in modo errato.	Controlla i giunti del filo di perimetrale. Isolare per fornire una connessione completamente impermeabile.
	C'è una perdita di segnale elettrico sul filo perimetrale a causa dell'isolamento rotto.	Ripara il filo danneggiato con i connettori in dotazione.
Landroid scivola fuori dalla sua area di lavoro scendendo da una collina.	Bassa aderenza delle ruote motrici di Landroid.	Verifica che le ruote siano pulite e prive di fango per avere la massima aderenza possibile.
Il sistema operativo di Landroid si blocca durante la ricarica o mentre è in standby.	Errore del software o del display.	Riavvia Landroid.
Landroid si spegne sulla base di ricarica.	Landroid non si carica a causa della protezione da surriscaldamento e si spegne.	Posiziona la base di ricarica in un'area ombreggiata o attendi che la temperatura si sia raffreddata.
	Connessione debole.	Controlla il LED light sulla base di ricarica. Controlla che la connessione tra i contatti della base e quelli su Landroid sia corretta.

Landroid si ferma nell'area di lavoro.	C'è un ostacolo nell'area di lavoro.	Rimuovi l'ostacolo dall'area di lavoro di Landroid.
	L'altezza di taglio è troppo bassa per la lunghezza dell'erba o l'erba è troppo densa.	Incrementa l'altezza di taglio e poi abbassala gradualmente.
	Il filo perimetrale eccede i 300m di lunghezza e potrebbe causare problemi di segnale.	Riduci la lunghezza del filo perimetrale.
	La distanza tra il centro del prato e il cavo perimetrale eccede i 25m e potrebbe causare l'attenuazione del segnale.	Riduci la distanza tra il centro del prato e il cavo perimetrale a meno di 25m.
Landroid si ribalta.	C'è un ostacolo inclinato sul prato.	Rimuovi l'ostacolo dall'area di lavoro di Landroid.
Landroid non riesce a connettersi a Internet.	Verifica che le impostazioni del router siano corrette.	Assicurati che il router sia impostato su 2,4GHz. Se il tuo router ha due impostazioni, abilita la banda a 2,4GHz. Assicurati che il router sia impostato sulla modalità 802.11 e che l'impostazione wireless sia b/g/n mista. Assicurarsi che il router abbia la funzione SSID Broadcast attivata quando si collega Landroid all'app. Puoi chiuderlo dopo esserti connesso correttamente. Assicurarsi che la funzione DHCP sia abilitata. Se hai cambiato la tua rete Wi-Fi, devi connettere Landroid alla nuova rete. Se hai un router 'Fritz!Box', assicurati di attivare 'Consenti comunicazione tra dispositivi nella stessa rete' nelle impostazioni.
	Verifica se il router è disconnesso o se l'SSID WIFI è cambiato	Assicurarsi che il router sia collegato e che l'SSID WIFI sia corretto
Quando regoli "Mese / Ora / Minuto", il Landroid emette un segnale acustico,	E 'normale	Senso antiorario Apporta  le regolazioni.

TUTELA AMBIENTALE

 I prodotti elettrici non possono essere gettati tra i rifiuti domestici. L'apparecchio da rottamare deve essere portato al centro di riciclaggio per un corretto trattamento. Controllare con le autorità locali o con il rivenditore per localizzare il centro di riciclaggio più vicino.

DICHIARAZIONE DI CONFORMITÀ

Noi,
Positec Germany GmbH
Grüner Weg 10, 50825 Cologne, Germany

A nome di Positec si dichiara che il prodotto

Descrizione **Robot tosaerba**

Codice **WR165E WR167E WR147E.1 WR148E (100-199 - Designazione del macchinario, rappresentativo della Robot tosaerba) (Numero di serie è sulla pagina posteriore) con caricabatterie WA3775 / WA3776 / WA3750.1/ WA3755.1 e base di ricarica WA4002.1**

Funzione **Falciatura prati**

Complies with the following Directives,

2006/42/EC, 2014/30/EU, 2014/35/EU, 2011/65/EU&(EU)2015/863, 2000/14/EC amended by 2005/88/EC, 2014/53/EU

WR165E WR167E

2000/14/EC modificata dalla 2005/88/EC

- Procedura di conformità come da
- Potenza acustica pesata
- Massima potenza di rumore garantita

Annex V
65.5 dB (A)
67 dB (A)

WR147E.1 WR148E

2000/14/EC modificata dalla 2005/88/EC

- Procedura di conformità come da
- Potenza acustica pesata
- Massima potenza di rumore garantita

Annex V
61.56 dB (A)
63 dB (A)

L'organismo competente

Nome: Intertek, Semko AB (organismo notificato 0413)

Indirizzo: Torshamnsgatan 43164 22 Kista Sweden

Certificazione N. : 201002326SHA-V1

Conforme a,

**EN 60335-1:2012+A11+A13+A14+A2:2019, EN 50636-2-107:2015+A1+A2:2020,
EN 60335-2-29:2004+A2+A11:2018, EN 62233:2008, EN 55014-1:2017+A11:2020,
EN 55014-2:2015, EN IEC 61000-3-2:2019, EN 61000-3-3:2013+A1:2019, EN ISO 3744:2005,
EN 300 328 V2.2.2, EN 301 489-1 V2.2.3, EN 301 489-17 V3.2.4, EN IEC 62311:2020,
EN 61558-1:2005+A1:2009, EN 61558-2-16:2009+A1:2013,
EN 55011:2016+A11:2020,
EN 303 447 V1.1.1
EN 55032:2015+A11:2020, EN 55035:2017+A11:2020**

Il responsabile autorizzato alla compilazione della documentazione tecnica,

Nome Marcel Filz

Address Positec Germany GmbH, Grüner Weg 10, 50825 Cologne, Germany



2020/12/02

Allen Ding

Deputy Chief Engineer, Testing & Certification

Positec Technology (China) Co., Ltd

18, Dongwang Road, Suzhou Industrial

Park, Jiangsu 215123, P. R. China

SEGURIDAD DEL PRODUCTO

INSTRUCCIONES GENERALES Y ADICIONALES DE SEGURIDAD

⚠️ ADVERTENCIA: Lea todas las advertencias e instrucciones de seguridad. *El incumplimiento de las advertencias e instrucciones puede provocar una descarga eléctrica, incendio y/o lesiones graves.*

Lea atentamente las instrucciones para un correcto funcionamiento de la máquina.

Guarde todas las advertencias e instrucciones como referencia para el futuro.

- Este aparato no se ha diseñado para ser utilizado por personas (incluidos niños) con una incapacidad física, sensorial o mental reducida, o falta de experiencia y conocimiento, a menos que una persona responsable de su seguridad les autorice a ello o les proporcione la formación necesaria para usar el aparato.

- No se debe permitir que los niños jueguen con este aparato.

- Este aparato contiene baterías que solo son reemplazables por personas expertas.

ADVERTENCIA: Para recargar la batería, utilice únicamente la unidad de alimentación desmontable proporcionada con este aparato.

ADVERTENCIA: para reducir el riesgo de dañar a personas y causar daños en la máquina, no quite el paquete de la batería antes de apagar la máquina.

IMPORTANTE

LEA ATENTAMENTE ANTES DE USAR

GUARDE COMO REFERENCIA PARA EL FUTURO

Prácticas para un correcto funcionamiento

FORMACIÓN

- Lea las instrucciones con atención. Asegúrese que ha entendido las instrucciones y se ha familiarizado con los controles y el uso apropiado del aparato;
- No permita que el aparato sea usado por niños o por personas que desconocen las instrucciones. La normativa local puede restringir la edad del operador;
- El operador o usuario es responsable de los accidentes o peligros que se produzcan a otras personas o propiedades.

PREPARACIÓN

- Asegúrese de que la instalación del alambre delimitador es correcta y se ha hecho según las instrucciones.
- Revise periódicamente el área donde el aparato se va a utilizar y elimine todas las piedras, palos, cables, huesos y otros objetos extraños.
- Periódicamente realice una inspección visual para comprobar que las cuchillas, los pernos de las cuchillas y el montaje del equipo de corte no estén desgastados o dañados. Cambie el juego completo de cuchillas y pernos para conservar el equilibrio.
- Tenga cuidado con los equipos que presentan un sistema multiteje porque el giro de una hoja puede provocar que las otras hojas también giren.
- ¡ADVERTENCIA! La cortadora de césped no debe utilizarse sin el protector.

FUNCIONAMIENTO

1. Aspectos generales

- Nunca haga funcionar el aparato con los protectores defectuosos o sin los dispositivos de seguridad, por ejemplo, los deflectores, en su sitio;
- No ponga las manos ni los pies cerca o debajo de las partes giratorias. Manténgase alejado de la apertura de descarga en todo momento;
- Nunca levante o transporte el aparato con el motor en marcha;
- Accionar el dispositivo de desconexión del aparato.

- Antes de despejar un obstáculo;
- Antes de inspeccionar, limpiar o trabajar con el equipo.
- e) No se permite modificar el diseño original del robot cortacésped. Todas las modificaciones se hacen bajo su propio riesgo.
- f) Ponga en marcha el robot cortacésped según las instrucciones. Cuando se conecte la tecla de encendido, asegúrese de que las manos y los pies se mantengan alejados de las cuchillas en movimiento. Nunca ponga los pies o las manos debajo del cortacésped.
- g) No levante ni transporte el robot cortacésped cuando la tecla de encendido esté conectada.
- h) No permita que el robot cortacésped sea usado por personas que desconocen su funcionamiento.
- i) No ponga nada encima del robot cortacésped o el cargador.
- j) No permita que se use el robot cortacésped con una cuchilla de corte o mecanismo defectuoso. Tampoco se debe utilizar con cuchillas, tornillos, tuercas o cables defectuosos.
- k) Apague el robot cortacésped siempre que no tenga intención de utilizarlo. El robot cortacésped solo podrá arrancar cuando la tecla de encendido esté activada y se haya introducido un código PIN correcto.
- l) Mantenga las manos y los pies alojados de las hojas en movimiento. No coloque nunca las manos o los pies cerca o debajo del cuerpo del cortacésped robótico cuando esté en funcionamiento.
- m) La máquina y sus dispositivos periféricos no se deben utilizar cuando haga mal tiempo, especialmente si existe riesgo de tormenta eléctrica.
- n) No toque las piezas móviles peligrosas hasta que se hayan parado por completo.
- o) Para usar máquinas en áreas públicas, los signos de advertencia deben de colocarse en lugares donde la máquina está en funcionamiento Ellos deberían de enseñar el significado del siguiente texto:

ADVERTENICA! Cortacésped automático! Manténgase lejos de la máquina! Vigile a los niños!

2. En el caso de que el equipo funcione automáticamente

- a) No deje que el aparato funcione sin vigilancia si sabe que hay animales domésticos, niños o personas en los alrededores.

MANTENIMIENTO Y ALMACENAMIENTO

¡ADVERTENCIA! Antes de dar la vuelta al cortacésped, debe desconectarse siempre la tecla de encendido.

La tecla de encendido debe estar desconectada siempre que se trabaje en la parte inferior del cortacésped, como al limpiarla o al reemplazar las cuchillas.

- a) Mantenga todas las tuercas, pernos y tornillos apretados para unas condiciones de trabajo seguras.
- b) Por su seguridad inspeccione el robot cortacésped cada semana y sustituya las piezas desgastadas o dañadas;
- c) Compruebe que las cuchillas y el disco de corte no están dañados. Cuando sea necesario cambie las cuchillas y los tornillos al mismo tiempo a fin de que las partes giratorias estén equilibradas.
- d) Asegúrese de que las partes cortantes que se sustituyen son del tipo correcto.
- e) Asegúrese de que las baterías se cargan con el cargador correcto recomendado por el fabricante. El uso incorrecto puede provocar descargas eléctricas, sobrecalentamiento o una fuga del líquido corrosivo de la batería;
- f) En el caso de que se produzca una fuga de electrolito y se mezcle con agua o agente neutralizante, busque ayuda médica si entrara en contacto con los ojos, etc.;
- g) La asistencia técnica del equipo se debería realizar de acuerdo con las instrucciones del fabricante.

Recomendación

Conecte la máquina y sus dispositivos periféricos únicamente a un circuito de alimentación protegido mediante un interruptor diferencial (ID) con una corriente de disparo que no sea superior a 30mA.

Riesgos residuales

Para evitar lesiones, utilice guantes de protección para sustituir las cuchillas.

Transporte

Para el transporte del robot cortacésped a largas distancias, se debe utilizar el embalaje original.

Para un traslado seguro desde o dentro de la zona de trabajo:

a) Pulse el botón STOP para detener la segadora.

Selecciona los cuatro dígitos del PIN cuando utiliza la segadora por primera vez.

b) Apague el robot cortacésped siempre que tenga intención de transportarlo.

c) Lleve el cortacésped por el mango de la parte en la parte delantera. Lleve el cortacésped con el disco de corte lejos del cuerpo.

Requisitos expuestos RF

Para satisfacer los requisitos expuestos RF, una separación de 200mm o más debería de ser mantenida entre el dispositivo y las personas durante sus operaciones.

Para garantizar la conformidad, no se recomiendan operaciones a una distancia menor a esta distancia.

La antena utilizada para este transmisor no debe colocarse junto con ninguna otra antena o transmisor.

Advertencias de seguridad para la batería

a) No desmonte, abra o destruya las pilas o las baterías recargables.

b) No provoque un cortocircuito en la batería. No almacene las baterías de forma descuidada en una caja o cajón donde podría provocar un cortocircuito entre ellas o mediante otros objetos metálicos. Cuando la batería no esté siendo utilizada, manténgala alejada de objetos metálicos, como clips de papel, monedas, llaves, clavos, tornillos u otros objetos metálicos pequeños, que pueden posibilitar la conexión de un borne con otro. Al provocar un cortocircuito con los bornes de la batería se pueden sufrir quemaduras o generar un incendio.

c) No exponga las baterías al calor o al fuego. No las guarde expuestas directamente al sol.

d) No exponga las baterías a impactos mecánicos.

e) En caso de que la batería tenga fugas de líquido, no permita que el líquido entre en contacto con la piel o los ojos. Si se produce el contacto, lave la zona afectada con grandes cantidades de agua y acuda a un médico.

f) Acuda a un médico inmediatamente si se ha ingerido una pila o una batería.

g) Mantenga las baterías limpias y secas.

h) Limpie los bornes de la batería con un paño limpio si se ensucian.

i) Cargue la batería antes de utilizarla. Consulte siempre estas instrucciones y aplique el procedimiento de carga adecuado.

j) No deje la batería cargándose durante prolongados períodos de tiempo cuando no se utilice.

k) Después de prolongados períodos de almacenamiento, puede que sea necesario cargar y descargar la batería varias veces para obtener el máximo rendimiento.

l) Recargue solo con el cargador indicado por Worx. No utilice ningún otro cargador que no sea el específicamente proporcionado para el uso con este equipo.

m) No utilice ninguna batería distinta a la diseñada para utilizarse con el aparato.

n) Mantenga la batería fuera del alcance de los niños.

o) Conserve la documentación original del producto por si tuviera que consultarla en otro momento.

p) Extraiga la batería del aparato cuando no lo utilice.

q) Deshágase del producto correctamente.

r) No se deben mezclar pilas de diferentes fabricantes, capacidad, tamaño o tipo en un mismo dispositivo.

s) Las pilas no se deben quitar del embalaje original hasta que se vayan a utilizar.

t) Se deben observar y respetar las marcas positiva (+) y negativa (-) de la pila.

INFORMACIÓN SOBRE EL LANDROID



ADVERTENCIA – El robot cortacésped puede ser peligroso si se usa incorrectamente. Lea con atención el Manual de Usuario y entienda su contenido antes de usar su robot cortacésped.



ADVERTENCIA - Manténgase a una distancia segura mientras la máquina esté en funcionamiento.



ADVERTENCIA – Apague la máquina antes de trabajar en ella o levantarla.



ADVERTENCIA –No use la máquina como medio de transporte.



Batería de iones de litio. Este producto tiene una marca que lo designa para la recogida selectiva, junto con otras pilas y baterías. Una vez recogido, se reciclará o se desmontará con el fin de reducir el impacto en el medioambiente. Las baterías contienen sustancias peligrosas y pueden ser perjudiciales para el medioambiente y para la salud de las personas.



No incinerar



Las baterías pueden entrar en el ciclo del agua si se desechan incorrectamente, lo que puede ser peligroso para el ecosistema. No deseche las baterías inútiles como residuos municipales sin clasificar.



Queda prohibido el desmontaje de la máquina sin autorización



Los residuos de aparatos eléctricos y electrónicos no deben depositarse en la basura doméstica. Se deben reciclar en las instalaciones especializadas. Consulte a las autoridades locales o el establecimiento para saber cómo reciclar estos productos.



Dispositivo de clase III



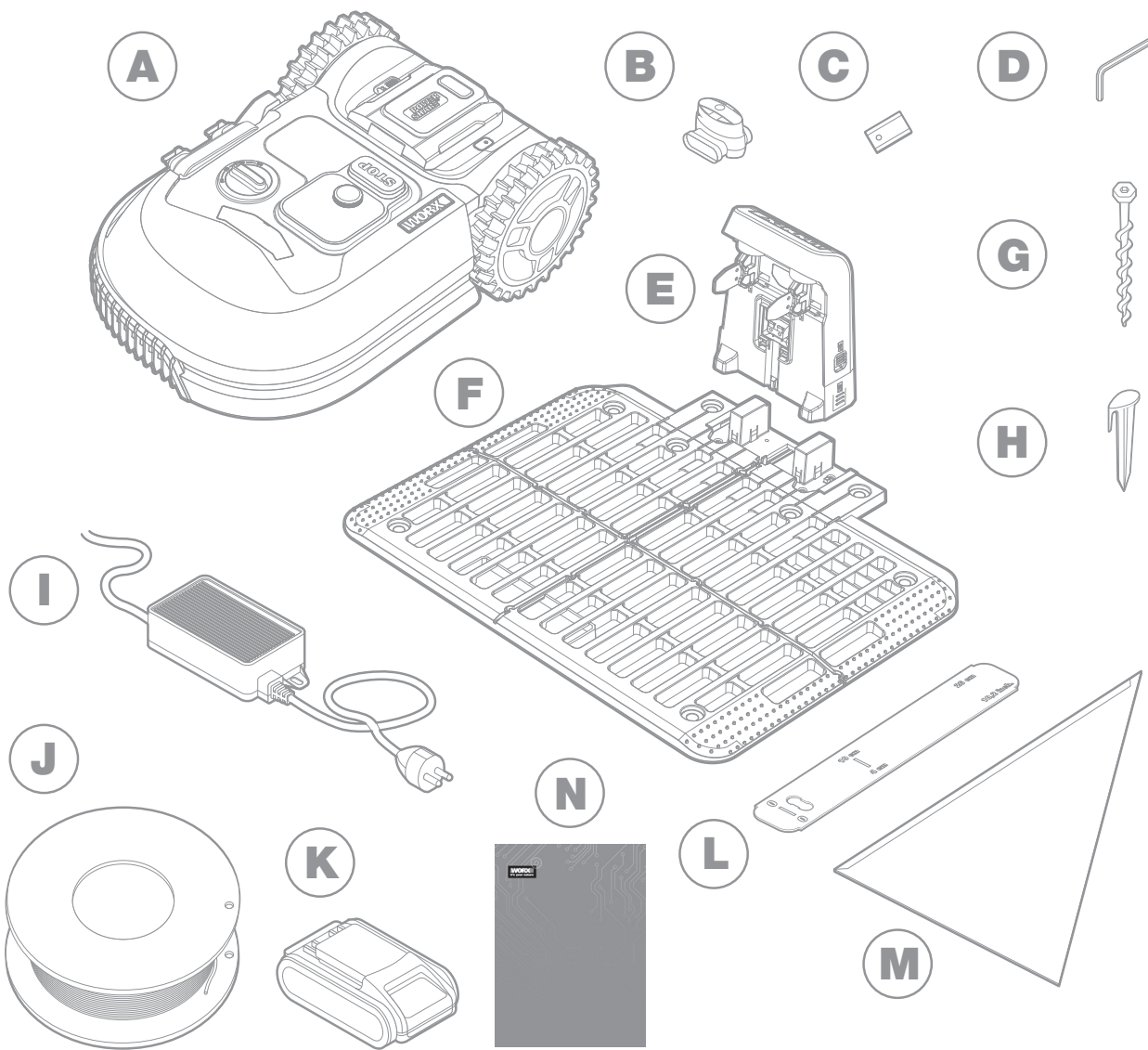
Leer el manual de operador



Unidad de alimentación desmontable

Su Landroid se puede utilizar con otros accesorios funcionales de Worx. Visite www.worxlandroid.com para obtener más información sobre estas opciones de accesorios disponibles.

**LISTA DE COMPONENTES
CONTENIDO DE LA CAJA**



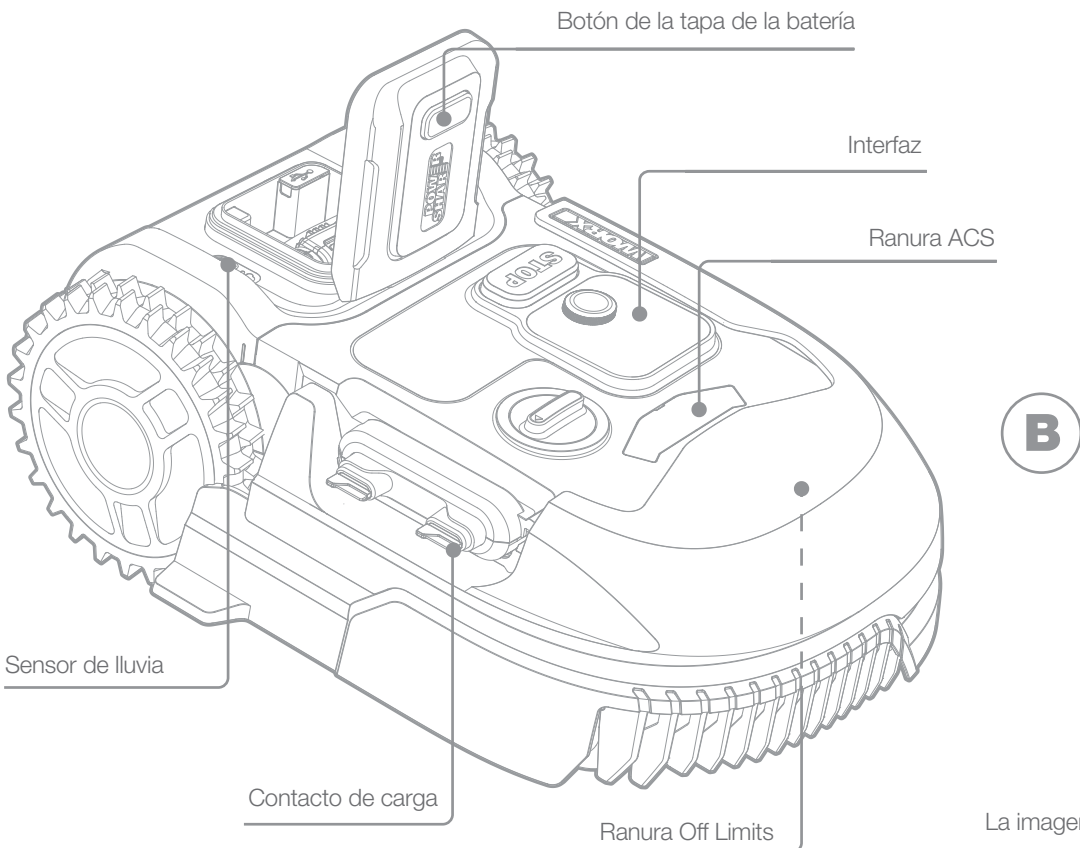
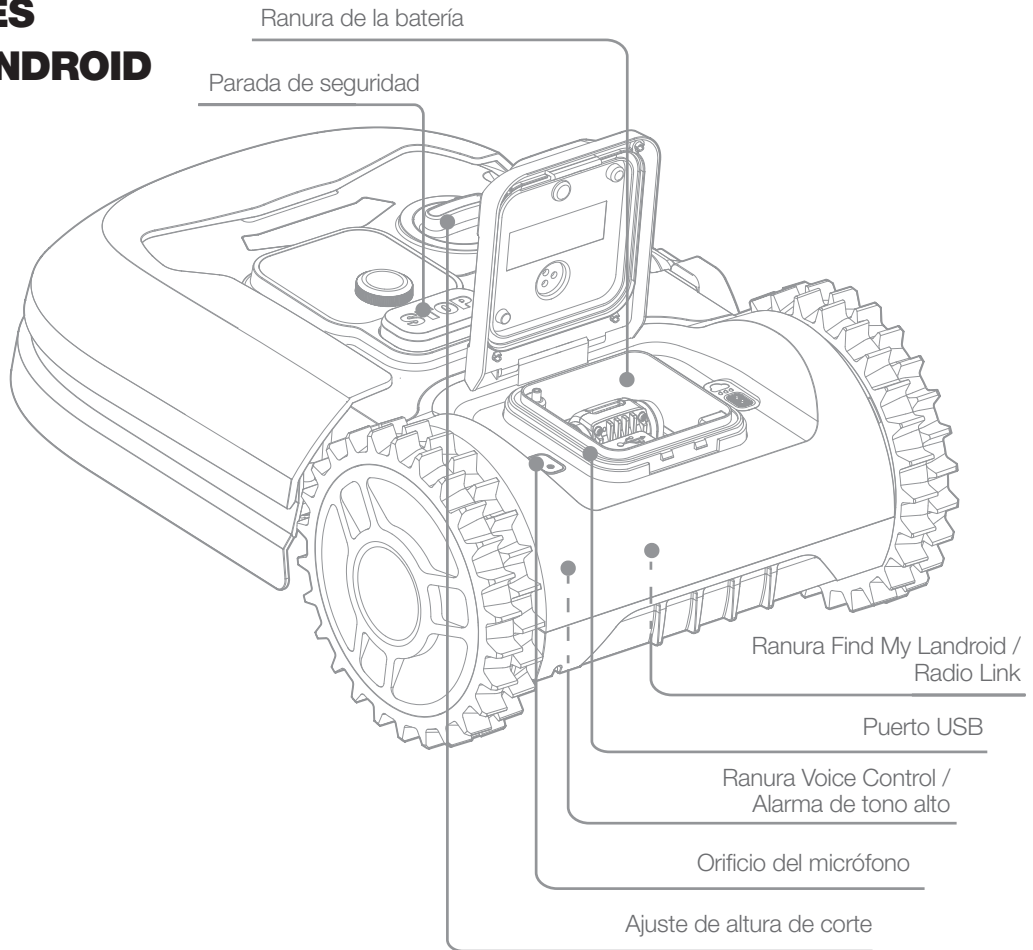
La imagen es solo de referencia

A	Worx Landroid
B	Conectores de reparación de cable
C	Kits de cuchillas de repuesto
D	Llave hexagonal
E	Pila de carga
F	Base de carga
G	Tornillos

H	Estacas para el cable
I	Fuente de alimentación
J	Cable delimitador
K	Batería de 20V
L	Medidores de distancia para el cable delimitador
M	Calibre de Bertelsen
N	Manuales

MÁS DETALLES SOBRE EL LANDROID

A



B

La imagen es solo de referencia


DATOS TÉCNICOS

Modelo **WR165E WR167E WR148E WR147E.1 (100-199 - denominaciones de maquinaria, representantes de Robot Cortacesped)**

	WR165E	WR167E	WR148E	WR147E.1
Tensión nominal	20 V Max.*			
Velocidad en vacío (/min)	2800		2400	
Área de corte (m ²)	500	700	800	1000
Diámetro de corte (cm)	18		20	
Altura de corte (mm)	30-60			
Posiciones de altura de corte	4			
Tipo de batería	Litio			
Modelo de la batería	WA3551.3	WA3553.3	WA3551.3	WA3553.3
Tiempo de carga aprox. (mins)	75	150	75	75
Modelo del cargador	WA3750.1/ WA3755.1			WA3775 / WA3776
Datos nominales del cargador	Entrada:100-240 V~50/60 Hz, 38 W, Salida:20V , 1.5 A			Entrada:100-240 V~50/60 Hz, 90 W, Salida: 20 V , 3.0 A
Peso de la Máquina (kg)	9.5	9.8	11.7	12
Clase de protección	III			
App(Wi-Fi/Bluetooth)	Y			
Banda de frecuencias del módulo WLAN integrado	2.412GHz-2.484GHz			
Potencia de radiofrecuencia máx. del módulo WLAN integrado	802.11b:+16±2dBm(@11Mbps) 802.11g:+14±2dBm(@54Mbps) 802.11n:+13±2dBm(@HT20,MCS7)			
Banda de frecuencia de los sistemas de bucle inductivo.	77 Hz			
Potencia máxima de radiofrecuencia de los sistemas de bucle inductivo.	82 dBµA/m			

* Voltaje medido sin carga. El voltaje inicial máximo de la batería es de 20 voltios. El voltaje nominal es de 18 voltios.

INFORMACIÓN DE RUIDO

	WR165E	WR167E	WR148E	WR147E.1
Nivel de presión acústica de ponderación	$L_{pA} = 45.5 \text{ dB(A)}$		$L_{pA} = 40.68 \text{ dB(A)}$	
	$K_{pA} = 0.6 \text{ dB(A)}$		$K_{pA} = 1.36 \text{ dB(A)}$	
Nivel de potencia acústica de ponderación	$L_{wA} = 65.5 \text{ dB(A)}$		$L_{wA} = 61.56 \text{ dB(A)}$	
	$K_{wA} = 0.6 \text{ dB(A)}$		$K_{wA} = 1.36 \text{ dB(A)}$	
Úsele protección auditiva cuando la presión acústica sea mayor a 80dB(A). 				

Es inevitable un cierto grado de ruido procedente de la máquina. El trabajo con maquinarias ruidosas está sujeto a licencia y debe estar limitado a determinados periodos. Respete los periodos de descanso y puede que sea necesario restringir las horas de trabajo al mínimo. Para su protección personal y la de las personas que trabajen cerca, debe usar una protección auditiva adecuada.

ACCESORIOS

	WR165E	WR167E	WR148E	WR147E.1
Tornillos	9	9	9	9
Base de carga	1	1	1	1
Estacas de sujeción de la base de carga	8	8	8	8
Alambre delimitador	130m	150m	150m	180m
Estacas delimitadoras	180	210	210	250
Llave hexagonal	1	1	1	1
Patrón de medida para el alambre delimitador	2	2	2	2
Cuchillas	9	9	9	9
Conector	2	2	2	2
Batería (WA3551.3)	1	/	1	/
Batería (WA3553.3)	/	1	/	1
Cargador (WA3750.1/ WA3755.1)	1	1	1	/
Cargador (WA3775 / WA3776)	/	/	/	1

Recomendamos que adquiera todos sus accesorios en el mismo comercio donde compró la herramienta. Consulte los estuches de los accesorios para más detalles. El personal del comercio también puede ayudar y aconsejar.

UTILIZACIÓN REGLAMENTARIA

Este producto ha sido proyectado para utilizarse en el área doméstica. Se ha diseñado para cortar el césped con frecuencia, permitiéndole disfrutar de un césped más verde y de mejor aspecto como nunca antes. Según el tamaño de su jardín, Landroid puede programarse para funcionar en cualquier momento o con la frecuencia que desee. No está diseñado para cavar, barrer ni quitar nieve.

MANTENIMIENTO

Su Landroid trabaja mucho y hay que limpiarlo y revisarlo cada cierto tiempo. Esta sección de nuestra guía le ayuda a mantener el Landroid en buena forma, para que dure años sin problemas. Así debe cuidar de su Landroid. Apague la máquina antes de realizar cualquier servicio técnico o mantenimiento.

MANTÉNGALO AFILADO

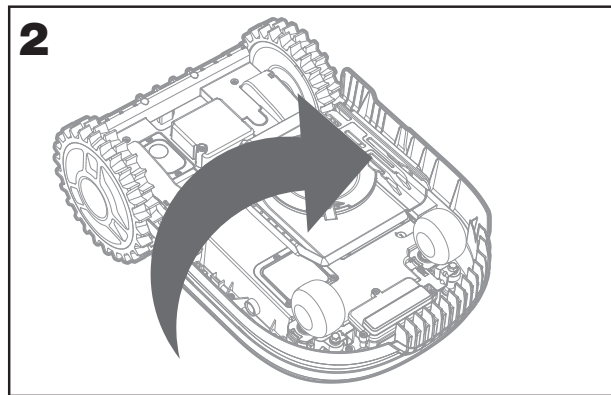
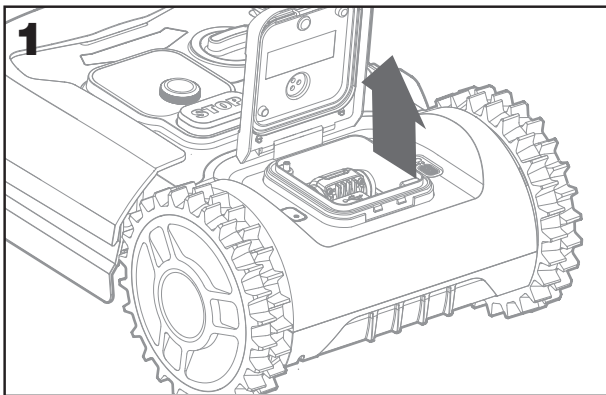
El Landroid no corta la hierba como otros cortacéspedes. Sus cuchillas de corte están afiladísimas por los dos lados y giran en ambas direcciones para maximizar la capacidad de corte.

- A. El disco giratorio de corte realiza una rotación a derecha o izquierda aleatoriamente, para utilizar ambos lados de corte y minimizar la frecuencia de sustitución de las cuchillas.
- B. Cada cuchilla de corte durará hasta dos meses si se programa para funcionar diariamente.
- C. Compruebe siempre si las cuchillas están melladas o dañadas y, si lo están, cámbielas.
- D. Cuando las cuchillas de corte estén romas o desgastadas, tendrá que cambiarlas por las que se incluyen con el Landroid. También puede conseguir cuchillas de repuesto en el establecimiento más cercano que tenga productos Landroid a la venta.

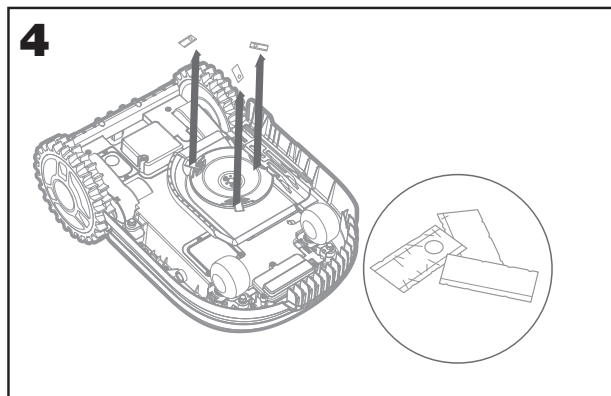
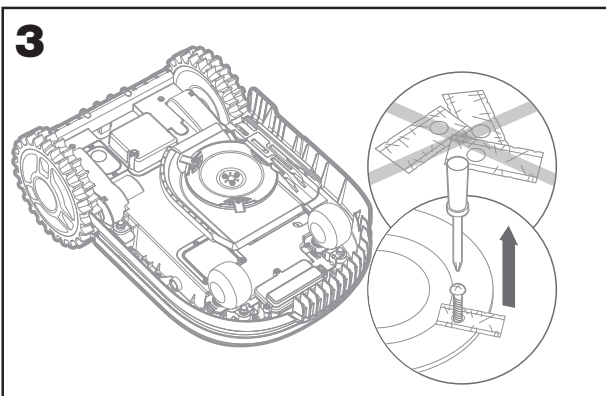
⚠ ADVERTENCIA! Antes de limpiar, ajustar o sustituir las cuchillas, apague el Landroid y extraiga la batería. Póngase siempre guantes protectores.

1. Sustitución de las cuchillas

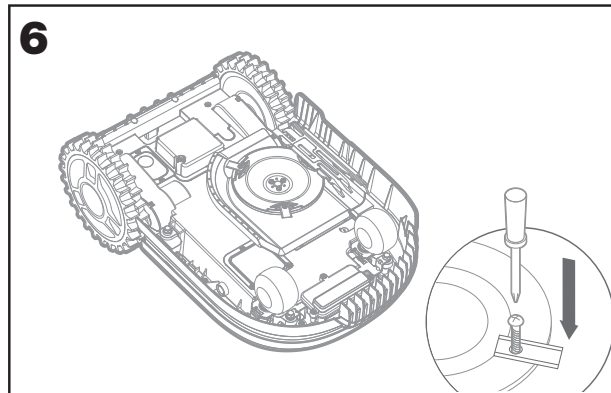
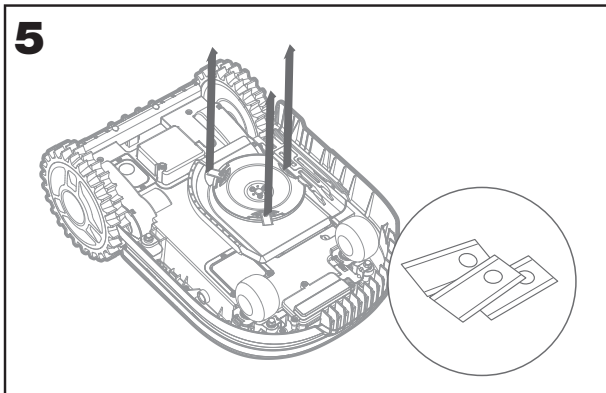
Retire la batería (fig. 1) y vuelque suavemente el Landroid (fig.2).



Quite los tornillos de las cuchillas con un destornillador (fig. 3-4).



Fije firmemente las nuevas cuchillas con los tornillos (fig. 5-6).

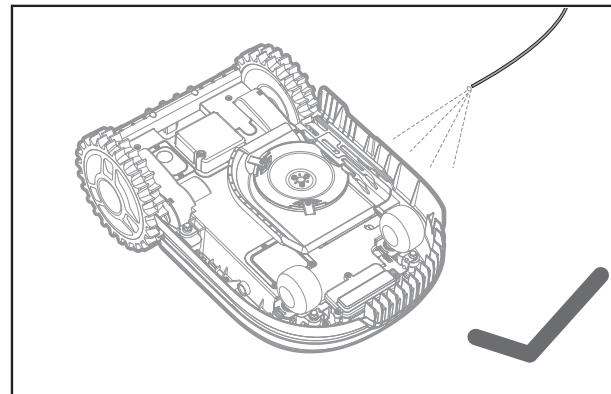
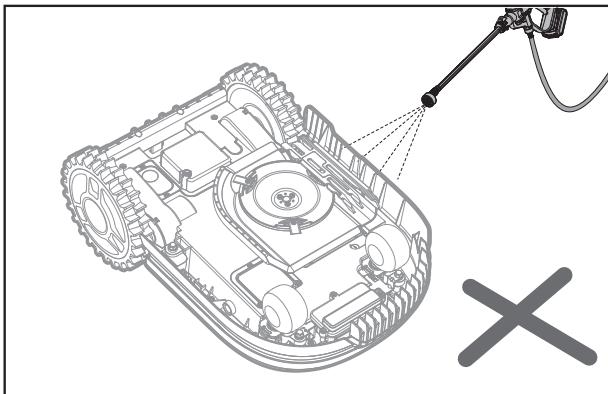


- ⚠ Atención:** Asegúrese siempre de volver a colocar TODAS cuchillas
- Utilice siempre tornillos nuevos para fijar las cuchillas. Es importante garantizar la sujeción de las cuchillas y el equilibrio del disco giratorio de corte. Si no utiliza tornillos nuevos, podría provocar lesiones graves.
 - Importante: Tras atornillar la cuchilla al disco de corte, asegúrese de que la cuchilla pueda girar libremente.

MANTÉNGALO LIMPIO

Debe limpiar el Landroid con regularidad. Esto ayuda a mantenerlo en buenas condiciones, especialmente al retirar la suciedad, residuos y acumulación de hierba por el corte diario. Apague el Landroid antes de limpiarlo. Para mayor seguridad, extraiga la batería.

- ⚠ Atención:** Asegúrese de que la tapa de la batería esté cerrada al lavar su Landroid
- ⚠ Advertencia!** SU Landroid sólo se puede lavar usando una manguera! NO utilice lavadoras de alta presión en su Landroid. El agua de alta presión puede entrar en los sellos y dañar las piezas electrónicas y mecánicas.



1. Limpieza de la parte superior del cuerpo

- A. Límpiela con un pulverizador lleno de agua. No utilice disolventes ni abrillantadores.
- B. Utilice un cepillo o un paño limpio para retirar la suciedad acumulada.

2. Limpieza de la parte inferior

- A. Ponga el Landroid boca arriba.
- B. Retire los residuos y los restos de hierba con un cepillo.
- C. Tenga cuidado de no tocar las cuchillas con las manos. Utilice guantes para protegerse.
- D. Limpie bien el disco de corte, el chasis y las ruedas delanteras con un cepillo suave o un trapo húmedo.
- E. Haga girar el disco de corte para comprobar si gira libremente. Retire cualquier obstrucción que observe. Quite los residuos incrustados para que no ocasionen grietas en el disco de corte. Hasta la grieta más pequeña puede afectar al rendimiento de corte.
- F. Compruebe si las cuchillas giran libremente alrededor de los tornillos de fijación. Retire cualquier obstrucción que observe.

3. Limpieza de las ruedas motrices

- A. Retire el barro de las ruedas con un cepillo para asegurar un buen agarre.

4. Limpieza de los contactos de carga

- A. Limpie las clavijas de contacto de la base de carga y las barras de carga del Landroid con un paño.
- B. De forma periódica, retire cualquier acumulación de restos de hierba que pueda haber alrededor de las clavijas de contacto y las barras de carga para asegurar que el Landroid siempre se cargue correctamente.

MANTÉNGALO CARGADO

El corazón del Landroid es su batería de iones de litio Worx PowerShare de 20V.

- A. Para almacenar correctamente la batería, asegúrese de que esté totalmente cargada y manténgala en un lugar seco
- B. La temperatura operativa recomendada del Landroid está comprendida entre 0 y 55°C.
- C. La vida útil de la batería del Landroid dependerá de las horas de uso y su funcionamiento diario durante la temporada de corte.

1. El Landroid puede cargarse manualmente sin el cable delimitador

- A. Conecte la base de carga a un suministro eléctrico adecuado. Se encenderá la luz verde de la base de carga.
- B. Con el Landroid apagado, colóquelo manualmente en la base de carga.
- C. La luz verde de la base de carga parpadeará y se iniciará la carga del Landroid.

GUÁRDELO DURANTE EL INVIERNO

Aunque el Landroid está diseñado y fabricado para soportar las condiciones climatológicas más exigentes, le recomendamos que lo guarde en un cobertizo o en el garaje durante el invierno. Para preparar su hibernación:

- A. Límpielo bien.
- B. Cargue la batería totalmente.
- C. Apáguelo.

1 . Vuelta al trabajo en primavera

Cuando llegue el momento de volver a poner en marcha el Landroid para la nueva temporada, realice las comprobaciones siguientes:

- A. Actualice los ajustes de fecha y hora con la aplicación.
- B. Si observa señales de oxidación en los contactos de carga del Landroid o de la estación de carga, límpielos con un paño esmerilado fino.
- C. Cargue la batería del Landroid completamente antes de ponerlo en marcha.

MANTÉNGALO ACTUALIZADO

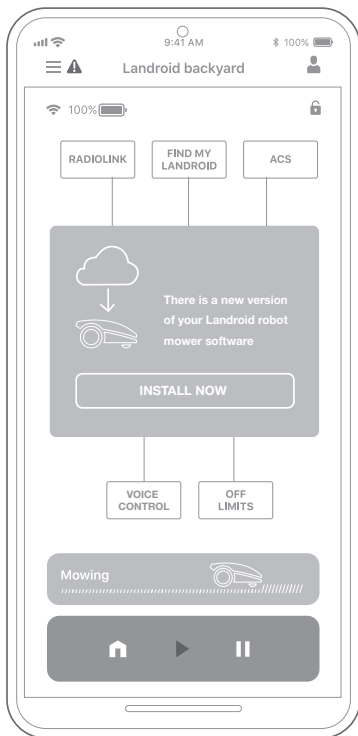
El Landroid no para de mejorar y se ofrecen gratuitamente nuevas versiones del software. Mantenga siempre actualizado el Landroid para sacarle el máximo partido.

1. ACTUALIZACIONES INALÁMBRICAS

Si el Landroid está conectado a su red wifi, la aplicación le avisará cuando disponga de nuevo software. En cuanto lo confirme, la actualización se realizará automáticamente de forma inalámbrica.

2. COMPROBACIÓN DE LA VERSIÓN DE SOFTWARE.

El número de versión del software se muestra cuando se enciende el Landroid.



3. ACTUALIZACIONES MANUALES

- A. Si el Landroid no está conectado a su red wifi, puede actualizarlo con el software más reciente con una memoria USB.
- B. Visite periódicamente el sitio web de Worx Landroid para comprobar si hay nuevas versiones disponibles. Si se ha suscrito a la lista de correo electrónico de Landroid, recibirá una notificación cuando haya una nueva versión disponible.
- C. Descargue la versión más reciente del software en nuestro sitio web.
- D. Use una memoria USB vacía formateada con FAT32.
- E. Guarde el archivo zip y extraiga el contenido en la memoria USB.
- F. Coloque el Landroid sobre una superficie segura y plana.
- G. Apague el Landroid.
- H. Acceda al puerto USB en la parte posterior del Landroid.
- I. Inserte la memoria USB en el puerto.
- J. Vuelva a poner el Landroid sobre el césped, dentro del área de trabajo marcada por el cable delimitador.
- K. Encienda el Landroid.
- L. Sin levantar el Landroid, retire la memoria USB cuando se muestre “Retire la llave USB”
- M. La actualización comenzará de forma automática y podría tardar un rato. El Landroid se reiniciará automáticamente cuando finalice la actualización.


NOTA: Asegúrese de que el Landroid esté dentro de los límites al reiniciar el Landroid.

MENSAJES DE OPERACIÓN

MENSAJE DE ACCIÓN DE LANDROID	MENSAJE DE ACCIÓN DE LANDROID
Cortando el pasto	Cortar el pasto de acuerdo con el programa de siega.
Lloviendo	El sensor de lluvia detecta agua. Landroid volverá a la estación de carga y permanecerá en la misma durante el tiempo programado. Cuando se seca, Landroid comenzará automáticamente la cuenta atrás del retardo de lluvia y luego volverá a cortar la césped. Si desea que Landroid corte la césped antes de eso, simplemente apáguelo y vuelva a encenderlo, pero solo cuando el sensor de lluvia está seco, o puede eliminar el retardo de lluvia por completo ajustando el tiempo de retardo de lluvia a cero.
Ir a inicio	Necesidad de cargar —la hoja de corte se detiene para ahorrar energía mientras viaje a la base
Cargando	‘Cargando’ y se muestra el porcentaje de carga
Sin tiempo de trabajo	El modo de espera se necesita programar según sea necesario.
No trabajando hoy	El modo de espera comenzará de acuerdo con el programa de siega.
Trabajo realizado hoy	
Búsqueda en zona	En función de la configuración de “Zona de trabajo personalizado”, Landroid está buscando un área para cortar la césped.
Carga completada	Landroid ha sido completamente cargado.
Carga de emergencia	Carga de emergencia Landroid está cargando en un estado apagado.

MENSAJES DE ERROR

A veces las cosas van mal. Afortunadamente, el Landroid es lo bastante inteligente como para decirle si tiene un problema y que pueda solucionarlo. Si tiene dudas, visite nuestro sitio web, donde encontrará útiles vídeos y más ayuda.

MENSAJE	CAUSA	ACCIÓN
	La tapa de la batería no está cerrada	Cierre la tapa de la batería
¡Fuera de la zona! Pulse START para reiniciar.	El Landroid no encuentra la señal del cable delimitador.	1. Si el Landroid está realmente fuera de su área de trabajo: apáguelo, llévelo dentro del área de trabajo, enciéndalo y pulse START. 2. Si el Landroid está dentro de su área de trabajo, compruebe si el LED de la base de carga se ha encendido de forma fija. Si está rojo, compruebe si el cable delimitador está bien conectado a la base de carga y que la base esté conectada a una fuente de alimentación adecuada. Si están bien conectados, entonces los terminales del cable delimitador se habrán colocado en los sujetacables de forma incorrecta y habrá que invertirlos.
PIN INCORRECTO Vuelva a intentarlo.	El código PIN es incorrecto.	Introduzca el PIN correcto o restablezca el PIN.
Error motor cuchilla. Pulse START para reiniciar.	Se bloquea el disco de corte con un objeto, como una rama.	Apáguelo. Ponga el Landroid boca arriba, compruebe si hay algo que impida que el disco de corte gire y retire las obstrucciones que pueda haber. Ponga el Landroid sobre las ruedas. Enciéndalo. Pulse START.
	La cuchilla está sobrecargada por acumulación de hierba.	Apáguelo. Lleve el Landroid a un área con hierba corta o configure la altura de corte con un ajuste más alto. Enciéndalo. Pulse START.
Err. motor de ruedas. Pulse START para reiniciar.	El motor de las ruedas está bloqueado de algún modo.	Apague el Landroid y llévelo a un área sin obstáculos. Enciéndalo. Pulse START. Si sigue apareciendo el mensaje de error, apague el Landroid. Ponga el Landroid boca arriba y compruebe si hay algo que impida que las ruedas giren. Quite cualquier obstrucción que pueda haber, ponga el Landroid sobre las ruedas y enciéndalo.
¡Boca abajo! Pulse START para reiniciar.	Podría haber ocurrido cuando el Landroid entró en contacto con una superficie inclinada que le haya hecho volcar.	Ponga el Landroid sobre las ruedas y retire cualquier obstáculo que pueda haberle hecho volcar.
Robot atrapado. Pulse START para reiniciar.	El Landroid está atrapado.	Apáguelo. Lleve el Landroid a un área del césped sin obstáculos y enciéndalo. Pulse START. Si sigue apareciendo el mensaje de error, apague el Landroid y póngalo boca arriba. Compruebe si hay algo que impida que las ruedas giren. Retire cualquier obstrucción que observe, ponga el Landroid sobre las ruedas y enciéndalo.

Robot levantado. Pulse START para reiniciar.	El Landroid se ha levantado.	Apáguelo. Lleve el Landroid a un área sin obstáculos y enciéndalo. Pulse START. Si sigue apareciendo el mensaje de error, apague el Landroid y póngalo boca arriba. Compruebe si hay algo que pueda haber hecho que se levante. Retire cualquier objeto que pueda haber, ponga el Landroid sobre las ruedas y enciéndalo.
Voltaje de la batería demasiado bajo. Cambie la batería.	Batería agotada.	En este caso, debe apagar el Landroid y colocarlo en la base de carga. Aparecerá «Emergency charging» (Carga de emergencia) y se iniciará la carga. Si el error de batería persiste, es porque la batería está dañada y tendrá que cambiarla.
No se encuentra el cable. Pulse START para reiniciar.	La máquina no encuentra la señal del cable.	Si el LED está rojo, compruebe si el cable delimitador está bien conectado a los sujetacables de la base de carga. Si el problema persiste, compruebe que el cable delimitador no se haya cortado.
Temperatura de batería fuera de rango. Espere un momento.	La temperatura es demasiado alta (más de 55°C) o baja (menos de 0°C) durante la carga.	Coloque la base de carga en un lugar a la sombra o espere hasta que la temperatura esté dentro de los límites normales.
No encuentra la base. Pulse START para reiniciar.	El cable delimitador tiene una longitud superior a la máxima (350m) o la máquina no tiene energía suficiente para volver a la estación de carga.	Lleve el Landroid a la estación de carga.
Robot bloqueado.	Con la función «Lock» habilitada, si el Landroid no recibe una señal de su router wifi durante 3 días, se bloqueará como medida de seguridad. Esto podría deberse a que el router se haya quedado sin alimentación, o a que ha cambiado de router wifi o de proveedor de Internet.	Vuelva a conectar el Landroid a la red wifi a la que se había conectado originalmente. De no ser posible, póngase en contacto con el servicio de atención al cliente.

NOTAS


- Antes de encender el Landroid, compruebe siempre si está dentro de su área de trabajo. De no ser así, aparecerá el mensaje «¡Fuera de la zona! Pulse START para reiniciar.» (Fuera del área de trabajo, pulse START para reiniciar). Este mensaje también aparece cuando el Landroid está parcialmente dentro del área de trabajo, aunque no del todo.
- Si, por cualquier motivo (como una fiesta, niños jugando), quiere aparcar el Landroid en la base de carga, pulse la tecla de inicio y OK. El Landroid volverá a la base de carga y se quedará allí. Tenga en cuenta que el Landroid esperará hasta la próxima sesión de corte programada. Si quiere volver a poner el Landroid en marcha en cualquier momento, pulse START y OK.
- Si un error se repite en la misma área del césped, puede que tenga un problema con el cable delimitador, así que consulte las instrucciones de instalación y compruebe que la configuración es correcta.
- Si el césped está dividido en dos áreas separadas, conectadas por un pasillo de menos de 1 m de anchura, una de las cuales no está equipada con la base de carga: cuando el Landroid se quede sin carga, llévelo manualmente a la base de carga.
- Si el Landroid muestra un funcionamiento anormal cada cierto tiempo, reinícielo. Para ello, apáguelo, extraiga la batería durante 30 segundos y vuelva a ponerlo en marcha. Si el problema no se puede resolver, póngase en contacto con el servicio de atención al cliente para recibir ayuda.

SOLUCIÓN DE PROBLEMAS


Si el Landroid no funciona correctamente, siga la guía de solución de problemas a continuación. Si el fallo persiste, póngase en contacto con el servicio de atención al cliente.

SÍNTOMA	CAUSA	SOLUCIÓN
No se enciende la luz LED de la base de carga.	No hay alimentación.	Compruebe si la base de carga está conectada correctamente al cargador y si este está conectado a una fuente de alimentación adecuada.
Luz roja en la base de carga.	El cable delimitador no está conectado.	Compruebe si el cable delimitador se ha conectado correctamente a la base de carga. Compruebe que no haya interrupciones en el cable delimitador.
El Landroid se enciende, pero el disco de corte no gira.	El Landroid está buscando la base de carga.	Esto es normal; cuando el Landroid necesita cargarse, el disco de corte no gira mientras busca automáticamente la base de carga.
El Landroid vibra.	El disco de corte está desequilibrado. Las cuchillas están dañadas.	Compruebe las cuchillas y cámbielas si están dañadas. Retire los residuos y los objetos extraños de las cuchillas y el disco de corte.
La hierba se está cortando de forma irregular.	El Landroid no funciona las horas suficientes al día para cortar la hierba.	Intente añadir más horas a la programación de corte.
	El área de corte es demasiado extensa para el tamaño de su Landroid.	Intente reducir el tamaño del área de corte o aumentar el tiempo de funcionamiento
	Las cuchillas están romas y no cortan.	Cambie todas las cuchillas y todos los tornillos para equilibrar el disco de corte.
	La altura de corte tiene un ajuste demasiado bajo para la longitud que tiene la hierba.	Aumente la altura y vaya reduciéndola gradualmente.
	Hay hierba u otros objetos enrollados alrededor del disco de corte.	Revise el disco de corte y retire la hierba u otros objetos que puedan estar impidiendo el giro.
	Hay una acumulación de hierba en el disco de corte o en la caja del bastidor del motor.	Asegúrese de que el disco de corte gire con facilidad. Si fuera necesario, saque el disco de corte y, después, retire los residuos.
El Landroid se encuentra dentro de su área de trabajo y el alambre delimitador está conectado correctamente, pero en la pantalla se muestra "¡Fuera del área de trabajo! Pulse START para restablecer"	Los extremos del cable delimitador se han colocado de forma incorrecta en los sujetacables.	Invierta los extremos del cable delimitador y vuelva a conectarlos la estación de carga.
El tiempo de carga es superior al que se supone que debería ser.	Mala conexión por residuos en la barra de carga.	Limpie las clavijas de contacto de la base de carga y las barras de carga del Landroid con un paño.
	El programa de protección de carga se ha activado por la alta temperatura.	Ponga la base de carga en un área a la sombra o espere a que baje la temperatura.
El cortacésped no se carga.	No hay alimentación.	Compruebe si el cable de alimentación está conectado correctamente al cargador y si este se ha conectado a una fuente de alimentación adecuada. Asegúrese de que las barras de carga del cortacésped toquen el centro de las barras de contacto de la base de carga.

Los tiempos de funcionamiento están empezando a ser más breves entre una carga y otra.	Algo está obstruyendo el disco de corte, lo que provoca fricción y aumenta el consumo de energía.	Extraiga el disco de corte y límpielo. Quizá la hierba esté demasiado alta y sea demasiado espesa.
	El Landroid vibra mucho porque el disco de corte está desequilibrado.	Revise el disco de corte y las cuchillas, y retire los residuos y los objetos extraños de las cuchillas y el disco de corte. Sustituya las cuchillas por un juego nuevo.
	La batería puede estar agotada o ser muy antigua.	Cambie la batería.
	El tiempo de funcionamiento está activo	Restablezca el tiempo de funcionamiento
El Landroid no funciona a la hora correcta.	El reloj no está ajustado con la hora correcta.	Ajuste el reloj con la hora correcta.
	Los tiempos de corte programados para el Landroid no son correctos.	Cambie los ajustes de hora para que el cortacésped se ponga en marcha y se pare.
	El porcentaje de tiempo de funcionamiento semanal establecido a través de la aplicación ha cambiado	Establecer el porcentaje correcto a través de la aplicación
El Landroid no se puede acoplar correctamente a la base de carga.	Influencias del entorno.	Vuelva a poner en marcha el Landroid.
	Mala conexión por residuos en la barra de carga.	Limpie las clavijas de contacto de la base de carga y las barras de carga del Landroid con un paño.
La luz verde de la base de carga se enciende antes de que se complete la carga.	la base de carga está demasiado fría o caliente	Coloque la base de carga en un lugar a la sombra o espere hasta que la temperatura esté dentro de los límites normales.
Las ruedas del Landroid derrapan o resbalan constantemente.	Se podrían haber incrustado objetos extraños, como ramitas debajo del Landroid.	Retire los objetos extraños de la parte inferior del Landroid.
	El césped está demasiado húmedo.	Espere a que se seque el césped.
El Landroid se sale del cable delimitador. El Landroid no corta una parte de la zona rodeada por el cable delimitador. El Landroid retrocede o gira erráticamente cerca del cable delimitador.	Hay un cable delimitador de otro Landroid o robot cortacésped demasiado cerca.	Asegúrese de que haya un espacio de al menos 1m entre su cable delimitador y el de su vecino.
	Con humedad, puede haber una fuga de la señal eléctrica del cable delimitador donde se ha empalmado o reparado el cable de forma incorrecta.	Compruebe las juntas del cable delimitador. Aíslelo para que la conexión quede completamente estanca.
	Hay una fuga de la señal eléctrica por un asilamiento incorrecto.	Repare el cable delimitador con los conectores de cable que se incluyen.
El Landroid se sale de su área de trabajo por una cuesta abajo.	Poco agarre de las ruedas del Landroid.	Asegúrese de que las ruedas estén limpias y de que no tengan barro para que conseguir el mayor agarre posible.
El sistema operativo del Landroid se bloquea durante la carga o en espera.	Fallo de software o de pantalla.	Vuelva a poner en marcha el Landroid.

El Landroid se apaga al acoplarse a la base de carga.	El Landroid no se carga por la protección contra el recalentamiento y se apaga.	Ponga la base de carga en un área a la sombra o espere a que baje la temperatura.
	Mala conexión.	Compruebe a luz LED de la base de carga. Compruebe la conexión entre las clavijas de contacto de la base de carga y la barra de carga.
El Landroid se detiene en el área de trabajo.	Hay un obstáculo en el área de trabajo.	Retire el obstáculo del área de trabajo del Landroid.
	La altura de corte tiene un ajuste demasiado bajo para la longitud que tiene la hierba o la hierba es demasiado densa.	Aumente la altura y vaya reduciéndola gradualmente.
	El cable delimitador alargado no debe superar los 300 m o podrían surgir problemas.	Reduzca la longitud del cable delimitador.
	La distancia entre el centro del césped y el cable delimitador no debería ser superior a 25m o la señal podría atenuarse.	Reduzca la distancia entre el centro del césped y perímetro del cable delimitador hasta los 25m.
El Landroid vuelca.	Hay un obstáculo con pendiente en el césped.	Retire el obstáculo del área de trabajo del Landroid.
El Landroid no se conecta a Internet.	Compruebe que el rúter tiene los ajustes adecuados.	Asegúrese de que el rúter sea de 2,4 GHz. Si el rúter tiene dos ajustes, utilice la banda de 2,4 GHz. Asegúrese de que el rúter se haya configurado en modo 802.11 y el ajuste inalámbrico sea mixto b/g/n. Asegúrese de que el rúter tenga habilitada la función de difusión SSID al conectar la máquina a la aplicación. Puede cerrarlo después de conectarlo correctamente. Asegúrese de que la función DHCP esté habilitada. Si ha cambiado de red wifi, deberá conectar el Landroid a la nueva red. Si tiene un rúter «Fritz!box», active «Allow communication between devices in same network» (Permitir la comunicación entre dispositivos en la misma red) en los ajustes.
	Compruebe si el router está apagado o si se ha cambiado el SSID de la red wifi	Compruebe que el router esté encendido y que el SSID de la red wifi sea correcto
Su Landroid pita cuando esté ajustando "mes / hora / minuto"	Esto es normal	Coloque en sentido contrario a las agujas del reloj  para ajustar.

PROTECCIÓN AMBIENTAL

 Los residuos de equipamientos eléctricos y electrónicos no deben depositarse con las basuras domésticas. Se recogen para reciclarse en centros especializados. Consulte las autoridades locales o su distribuidor para obtener información sobre la organización de la recogida.

DECLARACIÓN DE CONFORMIDAD

Los que reciben,
 Positec Germany GmbH
 Grüner Weg 10, 50825 Cologne, Germany

En nombre de Positec declaran que el producto

Descripción **Robot Cortacesped**

Modelo **WR165E WR167E WR147E.1 WR148E (100-199 - denominaciones de maquinaria, representantes de Robot Cortacesped) (El número de serie se encuentra en la última página.) con cargador de batería WA3775 / WA3776 /WA3750.1/ WA3755.1 y base de carga WA4002.1**

Función **corte de césped**

Cumple con las siguientes Directivas,

2006/42/EC, 2014/30/EU, 2014/35/EU, 2011/65/EU&(EU)2015/863, 2000/14/EC modificada por 2005/88/EC, 2014/53/EU

WR165E WR167E

2000/14/EC modificada por 2005/88/EC

- Procedimiento de evaluación de la conformidad de acuerdo con
- Nivel de presión acústica
- Nivel de intensidad acústica

Annex V
65.5 dB (A)
67 dB (A)

WR147E.1 WR148E

2000/14/EC modificada por 2005/88/EC

- Procedimiento de evaluación de la conformidad de acuerdo con
- Nivel de presión acústica
- Nivel de intensidad acústica

Annex V
61.56 dB (A)
63 dB (A)

Notificación realizada por:

Nombre: Intertek, Semko AB (cuerpo notificado 0413)

Dirección: Torshamnsgatan 43164 22 Kista Sweden

Nº de certificado: 201002326SHA-V1

Normativas conformes a,

**EN 60335-1:2012+A11+A13+A14+A2:2019, EN 50636-2-107:2015+A1+A2:2020,
 EN 60335-2-29:2004+A2+A11:2018, EN 62233:2008, EN 55014-1:2017+A11:2020,
 EN 55014-2:2015, EN IEC 61000-3-2:2019, EN 61000-3-3:2013+A1:2019, EN ISO 3744:2005,
 EN 300 328 V2.2.2, EN 301 489-1 V2.2.3, EN 301 489-17 V3.2.4, EN IEC 62311:2020,
 EN 61558-1:2005+A1:2009, EN 61558-2-16:2009+A1:2013,
 EN 55011:2016+A11:2020,
 EN 303 447 V1.1.1
 EN 55032:2015+A11:2020, EN 55035:2017+A11:2020**

La persona autorizada para componer el archivo técnico,

Firma **Marcel Filz**

Dirección **Positec Germany GmbH, Grüner Weg 10, 50825 Cologne, Germany**




2020/12/02

Allen Ding

Ingeniero Jefe Adjunto. Pruebas y Certificación

Positec Technology (China) Co., Ltd

18, Dongwang Road, Suzhou Industrial

Park, Jiangsu 215123, P. R. China

PRODUCTVEILIGHEID

ALGEMENE & EXTRA VEILIGHEIDSINSTRUCTIE

⚠ WAARSCHUWING! Lees alle instructies zorgvuldig door. Indien u zich niet aan alle onderstaande instructies houdt, kan dat leiden tot een elektrische schok, brand en/of ernstig letsel. Lees de instructies aandachtig voor een veilig gebruik van de machine.

Bewaar alle waarschuwingen en instructies voor latere naslag.

- Dit apparaat is niet bedoeld voor gebruik door personen (waaronder kinderen) met verminderde fysieke of mentale capaciteiten of een verminderd waarnemingsvermogen, tenzij ze voor gebruik van het apparaat toezicht en instructie krijgen van iemand die verantwoordelijk is voor hun veiligheid.
- Kinderen moeten onder toezicht worden gehouden om te verzekeren dat ze niet met het apparaat spelen.
- De batterij in dit apparaat mag alleen worden vervangen door geschoold personeel.

WAARSCHUWING: Gebruik voor het opladen van de batterij alleen de verwijderbare voedingseenheid die bij het apparaat wordt geleverd.

LET OP: Verwijder de batterij niet alvorens u de machine hebt uitgeschakeld dit om het risico op personen letsel of schade aan de machine te voorkomen.

BELANGRIJK

LEES ALLE INSTRUCTIES ZORGVULDIG DOOR.

BEWAAR ALLE WAARSCHUWINGEN EN INSTRUCTIES VOOR LATERE NASLAG

Veilige Bediening

Instructies

- a) Lees de instructies nauwkeurig door. Zorg ervoor dat u de instructies begrijpt en dat u bekend bent met de bedieningsorganen en het juiste gebruik van het toestel;
- b) Sta niet toe dat het toestel gebruikt wordt door personen die niet bekend zijn met deze instructies of door kinderen. Plaatselijke voorschriften kunnen een grens leggen aan de leeftijd van de gebruiker;
- c) De gebruiker is verantwoordelijk voor ongevallen en gevaren die optreden met andere personen of hun eigendommen.

Vorbereiding

- a) Zorg ervoor dat de grensdraad correct wordt geïnstalleerd volgens de instructies.
- b) controleer het gebied waarin het toestel gebruik wordt geregeld. Verwijder alle stenen, stokken, draden, botten en ander vreemde voorwerpen.
- c) Inspecteer de messen, bouten en het snijmechanisme geregeld op slijtage en schade. Vervang versleten en beschadigde messen en bouten gelijktijdig, zodat de balans behouden blijft.
- d) Bij toestellen met meerdere assen let u erop dat het draaien van het ene mes ook het ander mes in beweging brengt.
- e) **WAARSCHUWING!** De grasmaaier mag niet worden gebruikt zonder dat de afscherming op zijn plaats is.

BEDIENING

1. ALGEMEEN

- a) Gebruik het toestel niet met een defecte kap of zonder dat de veiligheidsmiddelen, zoals de, af buigers op hun plaats zitten;
- b) Steek geen handen of voeten in de buurt van de draaiende delen. Houd steeds afstand van de; uitwerp opening
- c) Til het toestel niet op en vervoer het niet terwijl het in werking is;
- d) Bedien de uitschakelinrichting van het apparaat.
 - Voordat u een blokkering verwijdert;
 - Voordat u de machine controleert, schoonmaakt of onderhoudt;
- e) Het is niet toegestaan het oorspronkelijke ontwerp van de grasmaaier te veranderen. Alle wijzigingen zijn op eigen risico.
- f) Start de automatische grasmaaier volgens de instructies. Als de aan-uitknop aan staat, zorg er dan voor

dat uw handen en voeten uit de buurt blijven van de draaiende messen. Plaats nooit uw handen en voeten onder de Robotmaaier.

- g) Til de Robotmaaier niet op en draag deze niet als de aan-uitknop aan staat.
- h) Sta niet toe dat de maaier gebruikt wordt door personen die niet weten hoe de Robotmaaier werkt en zich gedraagt.
- i) Leg geen voorwerpen op de Robotmaaier of op het laadstation.
- j) Laat de Robotmaaier niet werken met een defect mes of een defecte behuizing. Hij moet ook niet worden gebruikt met defecte schroeven, moeren of kabels.
- k) Schakel de Robotmaaier altijd uit als u niet van plan bent om de Robotmaaier te gebruiken. De Robotmaaier kan alleen starten als de aan-uitknop aan staat en de juiste pincode is ingevoerd.
- l) Houd uw handen en voeten buiten het bereik van de roterende bladen. Plaats uw handen of voeten bij of onder de behuizing als de robotische gazonmaaier in bedrijf is.
- m) Vermijd gebruik van de machine en de accessoires onder slechte weersomstandigheden, voornamelijk als er gevaar op blikseminslag is.
- n) Raak riskante bewegende delen niet aan, voordat die stilgezet zijn.
- o) Voor machines die gebruikt worden in publieke ruimtes, dienen waarschuwborden geplaatst te worden rond de ruimte waar de machine in werking treedt. Geven de inhoud van de volgende tekst weer: Waarschuwing! Automatische grasmachine! Houd uit de buurt van de machine! Kinderen onder toezicht houden!

2. Als het toestel automatisch functioneert

- a) Laat de machine niet werken zonder toezicht als u weet dat er dieren, kinderen of andere personen in de omgeving zijn.

ONDERHOUD EN OPSLAG

WAARSCHUWING! Schakel de aan-uitknop altijd uit wanneer u de grasmaaier ondersteboven houdt.

De aan-uitknop moet uit staan tijdens alle werkzaamheden aan de onderkant van de grasmaaier, zoals het reinigen of vervangen van de messen.

- a) Zet alle moeren, bouten en schroeven vast om zeker te weten dat het toestel in de veilige werktoestand is;
- b) Inspecteer de grasmaaier elke week en vervang versleten of beschadigde onderdelen voor de veiligheid;
- c) Controleer of de messen en de schijf niet beschadigd zijn. Verwijder alle messen en schroeven tegelijk, zodat de draaiende delen in balans blijven.
- d) Zorg ervoor dat uitsluitend vervangingsonderdelen van het juiste type worden gebruikt;
- e) Zorg ervoor dat batterijen worden opgeladen met de juiste lader, aanbevolen door de fabrikant. Onjuist gebruik kan resulteren in een elektrische schok, oververhitting of lekkage van de corroderende vloeistof uit de batterij;
- f) Bij lekkage van het elektrolyt spoelt u met water of een neutraliserend middel. Vraag medische hulp als het elektrolyt in contact komt met de ogen e.d.;
- g) Onderhoud van het toestel moet geschieden in overeenstemming met de instructies van de fabrikant.

Aanbeveling

Sluit het apparaat en/of de accessoires alleen aan op een elektriciteitsnet dat door een aardlekschakelaar met een schakelstroom van niet meer dan 30 mA beveiligd is.

Overige risico's

Draag, als u de bladen vervangt, beschermende handschoenen om verwondingen te voorkomen.

Vervoer

De oorspronkelijke verpakking moet worden gebruikt als de grasmaaier over een langere afstand vervoerd wordt.

Veilig vervoer van en naar het werkgebied:

- a) Druk op de knop STOP om de maaier te stoppen.
U geeft de volledige PIN-code van vier cijfers als u de maaier voor het eerst start.
- b) Schakel de automatische grasmaaier altijd uit als u van plan bent om de grasmaaier te dragen.
- c) Draag de maaier bij het handvat aan de achterkant, aan de voorzijdede maaier. Draag hem met de messen van uw lichaam afgekeerd.

RF vereisten van blootstelling

Om te voldoen aan de RF vereisten van blootstelling, dient een afstand van 200mm of meer tussen de persoon en het toestel te worden gehouden, wanneer het toestel in werking is.

Om ervoor te zorgen dat de regels worden nageleefd, is het niet aangeraden om te werken met een kleinere afstand. De antenne die gebruikt wordt voor deze zender mag zich niet in dezelfde locatie als andere antennes of zenders bevinden.

Veiligheidsinstructies voor het accupack

- a) **Batterijcellen en accupacks mogen niet gedemonteerd, geopend of vernietigd worden.**
- b) **Sluit accupacks niet kort. Bewaar accupacks niet willekeurig in een doos of lade waar ze elkaar kunnen kortsluiten of door geleidende voorwerpen kortgesloten kunnen worden.** Houd het accupack op een afstand van andere metalen voorwerpen als paperclips, muntstukken, sleutels, nagels, schroeven en andere kleine metalen voorwerpen die de contacten van de accupack kunnen verbinden. Kortgesloten contacten van accupacks kunnen brandwonden of brand veroorzaken.
- c) **Stel accupacks niet bloot aan warmte of vuur. Vermijd opslag in direct zonlicht.**
- d) **Stel accupacks niet bloot aan mechanische schokken.**
- e) **Als een accu lekt dient men voorzichtig te zijn dat de vloeistof niet in contact komt met de huid of de ogen. Als dat toch gebeurt spoelt men de huid onder stromend water en raadpleegt men een arts.**
- f) **Raadpleeg meteen een arts wanneer een batterij of accupack is ingeslikt .**
- g) **Houd batterijcellen en accupacks schoon en droog.**
- h) **Veeg de aansluitingen van het accupack schoon met een droge doek als ze vuil zijn geworden.**
- i) **Accupacks moeten voor gebruik worden opgeladen. Lees de gebruiksaanwijzing voor de juiste laadinstructies.**
- j) **Laat accupacks niet langdurig opladen als ze niet worden gebruikt.**
- k) **Na een lange opslagperiode kan het nodig zijn het accupack enkele keren op te laden en te ontladen voor een optimale prestatie.**
- l) **Laad alleen op met een lader met de technische gegevens van Worx. Gebruik geen andere lader dan de lader die specifiek voor dat doel met de apparatuur is meegeleverd.**
- m) **Gebruikt geen accupack dat niet bedoeld is voor gebruik met deze apparatuur.**
- n) **Houd accupacks buiten het bereik van kinderen.**
- o) **Bewaar de oorspronkelijke instructies van het product voor latere gebruik.**
- p) **Verwijder het batterijpakket uit de apparatuur als het niet in gebruik is.**
- q) **Volg de juiste procedure voor afvalverwijdering na afdanken van dit apparaat .**
- r) **Gebruik geen cellen van verschillende fabrikanten, capaciteit, afmetingen of typen binnen een apparaat.**
- s) **Verwijder het accupack niet uit de originele verpakking, tot dit nodig is voor gebruik.**
- t) **Let op de plus (+) en min (-) markeringen op de accu en zorg voor correct gebruik.**

INFORMATIE OVER DE LANDROID



WAARSCHUWING –de Robotmaaier kan gevaarlijk zijn bij verkeerd gebruik.
Lees de gebruiksaanwijzing grondig door en zorg ervoor dat u de inhoud begrijpt voordat u de Robotmaaier gebruikt.



WAARSCHUWING - Houd omstanders op afstand.



WAARSCHUWING – Schakel de aan-uitknop altijd uit voordat u aan de machine werkt of de machine optilt.



WAARSCHUWING –Rij niet op de machine.



Li-Ion

Li-ion-accu. Dit product is gemarkeerd met een symbool dat 'gescheiden inzameling' voor alle accu's en accupacks betekent. Vervolgens worden ze gerecycled of gedemonteerd om de impact op het milieu te beperken. Accupacks kunnen gevaarlijk zijn voor het milieu en de menselijke gezondheid omdat ze gevaarlijke stoffen bevatten.



Niet in brand steken.



Als de batterij niet correct wordt gebruikt, kan deze de waterkringloop binnendringen, wat schade aan het ecosysteem kan veroorzaken. Gooi gebruikte batterijen niet weg als ongesorteerd gemeentelijk afval.



Haal de machine niet zonder toestemming uit elkaar



Afgedankte elektrische producten mogen niet bij het normale huisafval terechtkomen. Breng deze producten waar mogelijk naar een recyclecentrum bij u in de buurt. Vraag de verkoper of de gemeente informatie en advies over het recyclen van elektrische apparatuur.



Klasse III-apparaten



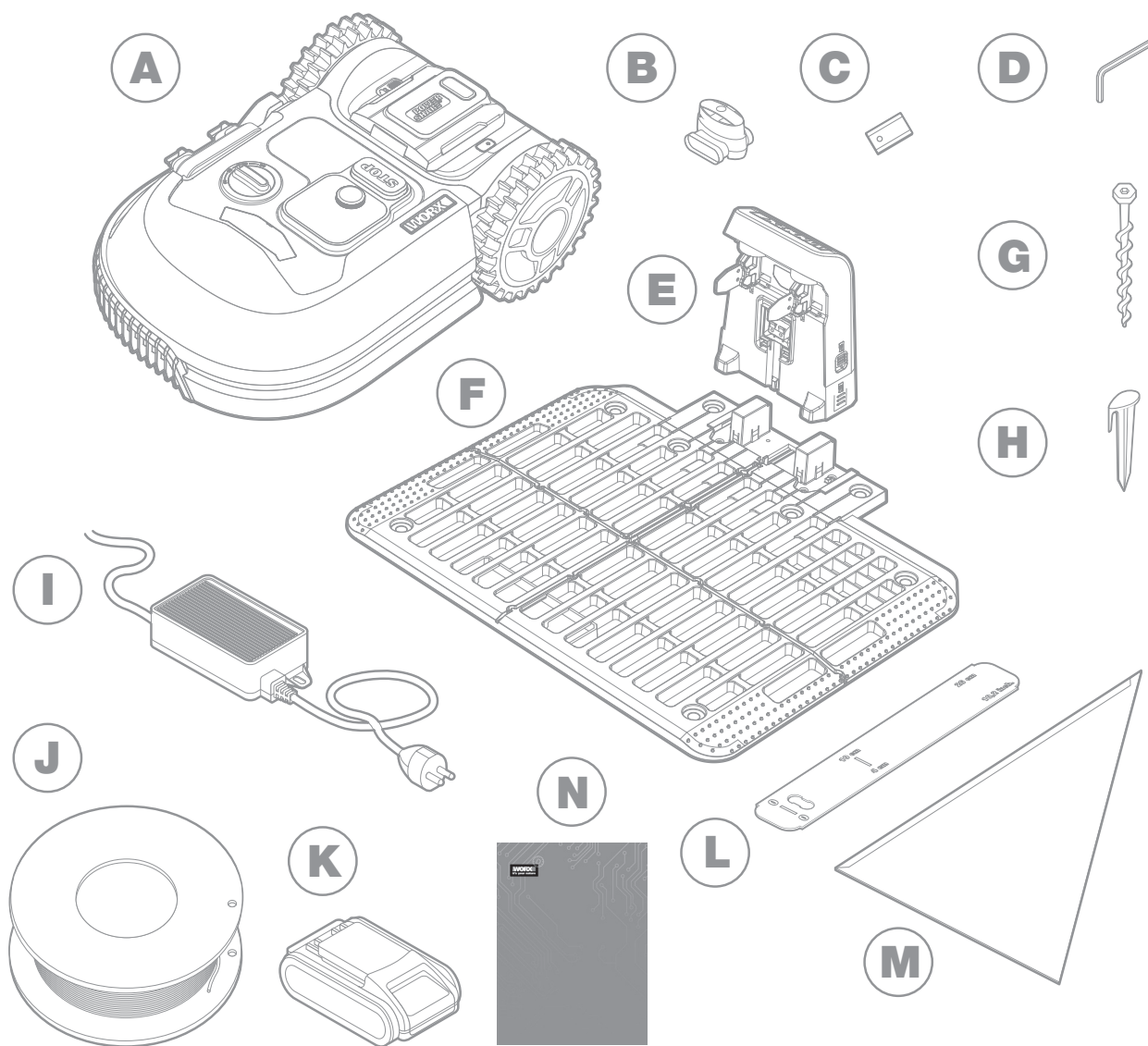
Lees de bedieningshandleiding



Afneembare voedingseenheid

U kan uw Landroid gebruiken met andere Worx functionele accessoires. Ga naar www.worxlandroid.com voor meer info over de beschikbare accessoires voor uw toestel.

**ONDERDELENLIJST
WAT BEVINDT ZICH IN DE BOX**



De afbeelding dient alleen ter referentie.

- A** Worx Landroid

- B** Draad reparatie connectoren

- C** Sets met reservemesjes

- D** Inbussleutel

- E** Laadstapel

- F** Laadstation

- G** Schroeven

- H** Kabelpinnen

- I** Voeding

- J** Grensdraad

- K** 20V batterij

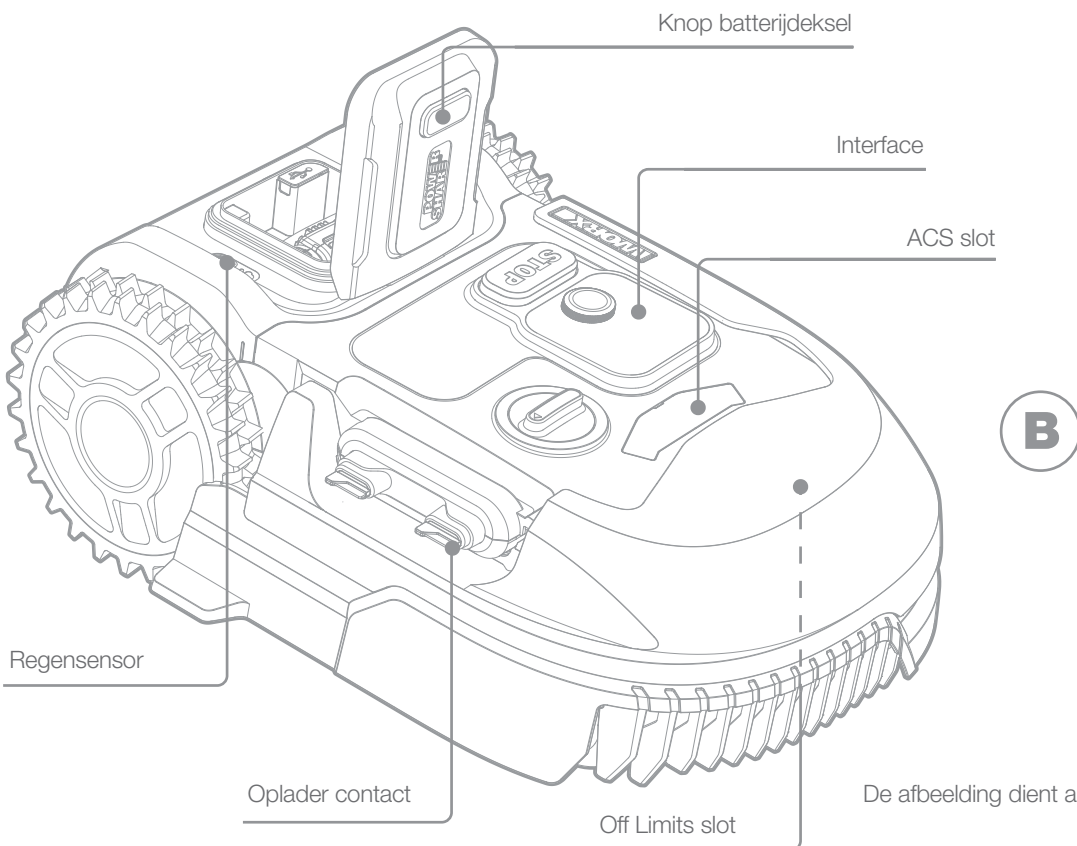
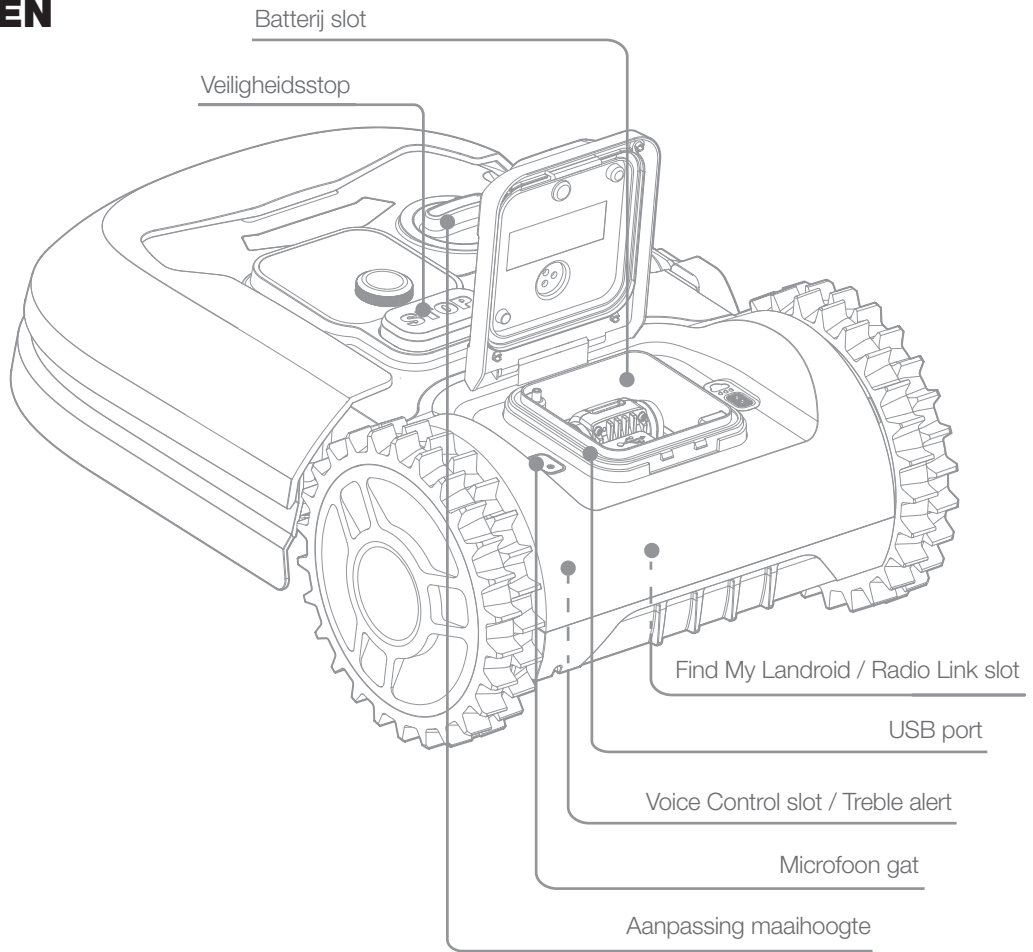
- L** Grensdraadafstandsmeters

- M** Bertelsen ruler

- N** Handboek

LEREN KENNEN LANDROID

A



De afbeelding dient alleen ter referentie.


TECHNISCHE GEGEVENS

Type **WR165E WR167E WR148E WR147E.1 (100-199 - aanduiding van machinerie, kenmerkend voor robotgrasmaaier)**

	WR165E	WR167E	WR148E	WR147E.1
Nominaal vermogen	20 V Max.*			
Toerental onbelast (/min)	2800		2400	
Maaigebied (m ²)	500	700	800	1000
Snijdiameter (cm)	18		20	
Maaihoogte (mm)	30-60			
Hoogte-instellingen	4			
Accutype	Lithium			
Batterijmodel	WA3551.3	WA3553.3	WA3551.3	WA3553.3
Laadtijd Ongeveer (mins)	75	150	75	75
Model Lader	WA3750.1/ WA3755.1			WA3775 / WA3776
Lader gegevens	Lader primair:100-240 V~50/60 Hz, 38 W, Secundair: 20V , 1.5 A			Lader pri- mair:100-240 V~50/60 Hz, 90 W, Secundair: 20 V , 3.0 A
Gewicht machine (kg)	9.5	9.8	11.7	12
Veiligheidsklasse	III			
App(Wi-Fi/Bluetooth)	Y			
Golflengtegebruik van de ingebouwde WLAN-module	2.412GHz-2.484GHz			
Max. radiofrequentie- vermogen van de ingebouwde WLAN-mo- dule	802.11b:+16±2dBm(@11Mbps) 802.11g:+14±2dBm(@54Mbps) 802.11n:+13±2dBm(@HT20,MCS7)			
Frequentieband van het inductieve lussys- teem	77 Hz			
Maximaal RF-vermogen van het inductieve lussysteem	82 dBµA/m			

* Spanning gemeten zonder belasting. Beginspanning batterij bereikt maximum 20 volt. Nominale spanning is 18 volt.

GELUIDS GEGEVENS

	WR165E	WR167E	WR148E	WR147E.1
A-gewogen geluidsdruk	$L_{pA} = 45.5 \text{ dB(A)}$		$L_{pA} = 40.68 \text{ dB(A)}$	
	$K_{pA} = 0.6 \text{ dB(A)}$		$K_{pA} = 1.36 \text{ dB(A)}$	
A-gewogen geluidsvermogen	$L_{wA} = 65.5 \text{ dB(A)}$		$L_{wA} = 61.56 \text{ dB(A)}$	
	$K_{wA} = 0.6 \text{ dB(A)}$		$K_{wA} = 1.36 \text{ dB(A)}$	
Gebruik gehoorbescherming indien de geluidsdruk hoger is dan 80dB(A).				

Het is onvermijdelijk dat de machine wat lawaai veroorzaakt. Voor luidruchtig werk is een vergunning vereist en het werk is gelimiteerd tot bepaalde periodes. Houd rusttijden aan en beperkt de werkuren tot een minimum. Draag passende gehoorbeschermers voor de persoonlijke bescherming en de bescherming van mensen die in de omgeving werken.

TOEBEHOREN

	WR165E	WR167E	WR148E	WR147E.1
Schroeven	9	9	9	9
Laagspanningskabel	1	1	1	1
Bevestigings schroeven voor laadstation	8	8	8	8
Grensdraad	130m	150m	150m	180m
Draadpennen	180	210	210	250
Inbussleutel	1	1	1	1
Afstand mal voor grensdraad	2	2	2	2
Messen	9	9	9	9
Koppelstuk	2	2	2	2
Accu (WA3551.3)	1	/	1	/
Accu (WA3553.3)	/	1	/	1
Lader (WA3750.1/ WA3755.1)	1	1	1	/
Lader (WA3775 / WA3776)	/	/	/	1

Wij adviseren u alle accessoires te kopen in de winkel waar u het gereedschap heeft gekocht. Kijk op de verpakking van het accessoire voor meer informatie. Ook het winkelpersoneel kan u helpen en adviseren.

GEBRUIK VOLGENS BESTEMMING

Dit product is bestemd voor het maaien van gazons (uitsluitend particulier gebruik). Hij is gemaakt om vaak te maaien en een gezonder en mooier gazon te maken. Afhankelijk van de grootte van uw gazon kan de Landroid geprogrammeerd worden om op elk moment te werken. Het apparaat is niet bedoeld om er mee te graven, te vegen of sneeuw te ruimen.

ONDERHOUD

Uw Landroid werkt hard en moet van tijd tot tijd worden schoongemaakt en gecontroleerd. Dit gedeelte van onze gids helpt u om Landroid in goede staat te houden, zodat het jarenlang zonder problemen kan meegaan. Hier is hoe u voor uw Landroid kunt letten. Schakel de machine voor het uitvoeren van reparaties en onderhoud.

HOUD HET SCHERP

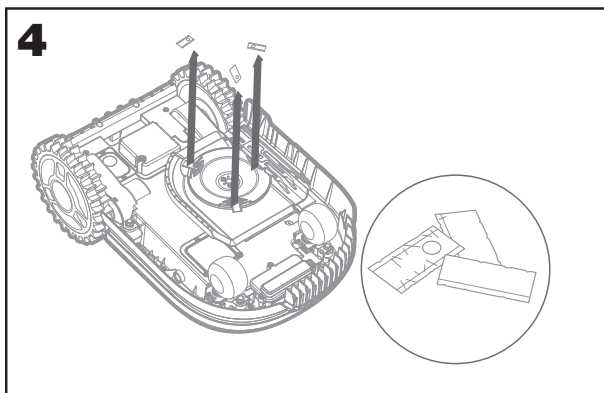
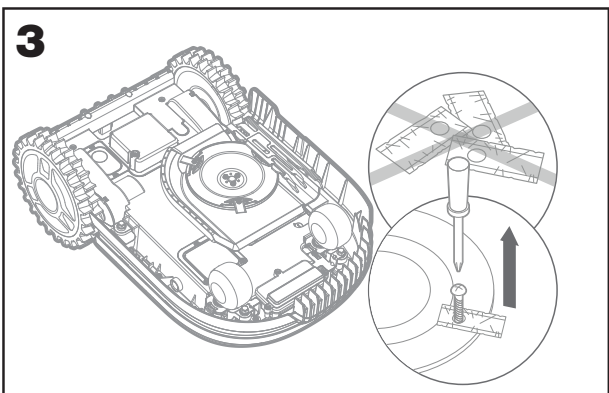
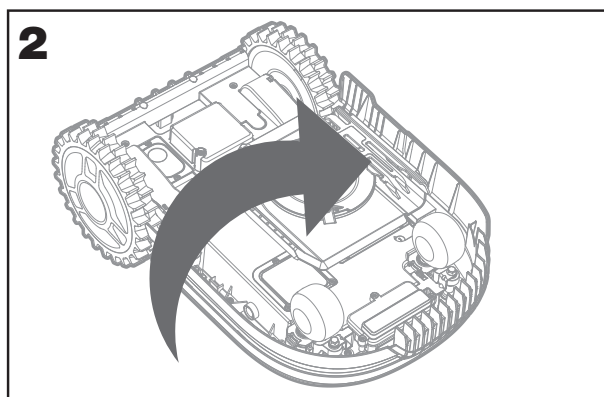
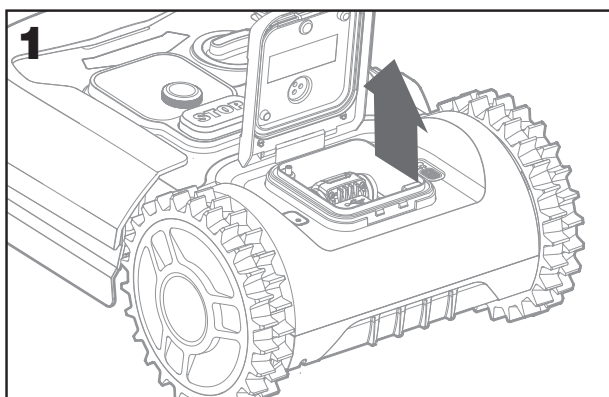
Landroid maait het gras niet zoals andere maaiers. De snijbladen zijn haarscherp aan 2 kanten en draaien in beide richtingen voor een maximale snijcapaciteit.

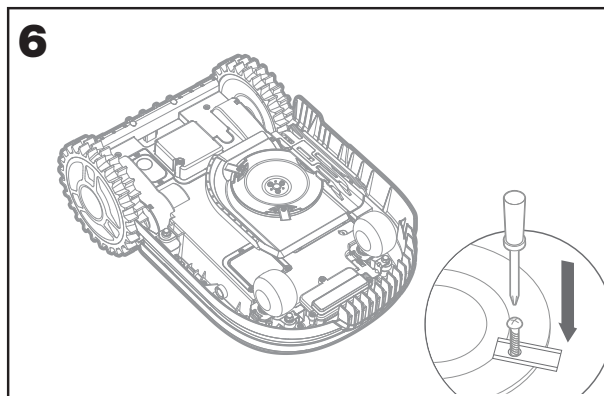
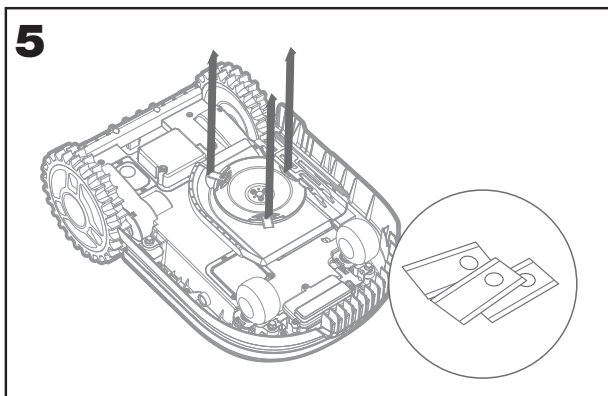
- A. De bladdraaischijf maakt een willekeurige rotatie met de klok mee en tegen de klok in om beide snijkanten te gebruiken en de frequentie van het vervangen van de messen te minimaliseren
- B. Elk snijbladen gaat tot 2 maanden mee als het geprogrammeerd is om elke dag te maaien
- C. Controleer altijd of de bladen beschadigd zijn en vervang ze als ze beschadigd zijn
- D. Wanneer de snijbladen dof en versleten zijn, moeten ze worden vervangen door de reservemessen die bij uw Landroid zijn geleverd. Reservemessies zijn ook verkrijgbaar bij uw dichtstbijzijnde Landroid dealer

⚠ WAARSCHUWING! Voordat u de messen schoonmaakt, afstelt of vervangt, schakelt u uw Landroid OFF en verwijdert u de batterij. Draag altijd beschermende handschoenen.

1. Vervangen van de mesbladen

Verwijder de batterij (fig. 1) en draai de Landroid voorzichtig om (fig. 2)
 Neem de schroeven van de messen met een schroevendraaier (fig. 3 - 4)
 Schroef de nieuwe messen stevig vast (fig. 5 - 6)





⚠ Let op: Bij het plaatsen van nieuwe messen moet u ervoor zorgen dat u ALLE messen vervangt.

Gebruik altijd nieuwe schroeven bij het monteren van de messen. Dit is belangrijk om ervoor te zorgen dat het blad goed op zijn plaats blijft en om de draaischijf van het blad in evenwicht te houden. Het niet gebruiken van nieuwe schroeven kan ernstig letsel veroorzaken.

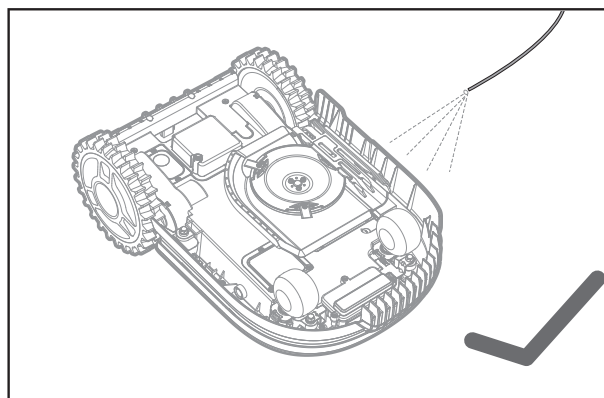
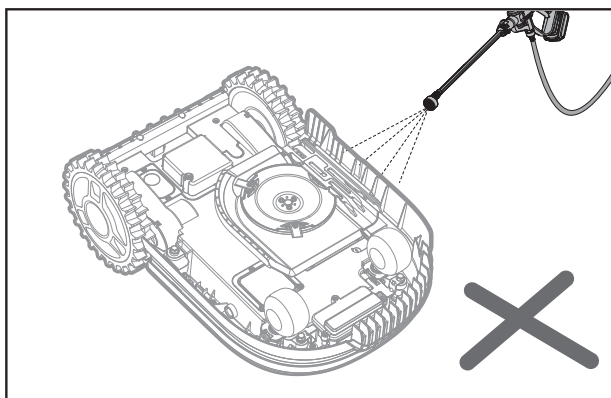
Belangrijk: Na het vastschroeven van het mes op de messchijf, zorg ervoor dat het mes vrij kan ronddraaien

HOUD HET SCHOON

Uw Landroid moet regelmatig worden schoongemaakt. Dit helpt om het in goede conditie te houden, vooral door het verwijderen van vuil, puin en de ophoping van gras bij het dagelijks maaien. Schakel Landroid uit voordat u het schoonmaakt. Voor extra veiligheid, verwijder de batterij.

⚠ Opmerking: Zorg er bij het reinigen van de Landroid voor dat het batterijklepje gesloten is.

⚠ WAARSCHUWING! UW Landroid kan alleen met een slang worden gereinigd! Gebruik GEEN hogedrukreiniger op Landroid. Water onder hoge druk kan het inwendige van de afdichting binnendringen en elektronische en mechanische onderdelen beschadigen.



1. Reinigen van het bovengedeelte

- A. Reinigen met een met water gevulde spuitfles Gebruik geen oplosmiddelen of polijstmachines
- B. Gebruik een borstel of een schone doek om het opgebouwde vuil te verwijderen

2. De bodem schoonmaken

- A. Draai Landroid ondersteboven
- B. Verwijder vuil en grasafval met een borstel
- C. Let op dat u de messen niet met uw handen aanraakt. Draag handschoenen voor bescherming
- D. Reinig de messchijf, het chassis en het (de) voorwiel(en) grondig met een zachte borstel of vochtige doek
- E. Draai de messchijf om er zeker van te zijn dat deze vrij kan draaien. Verwijder eventuele obstakels. Verwijder eventueel vastzittend puin zodat ze geen barst veroorzaken in de messchijf Zelfs de kleinste scheurvormingseffecten hebben uitwerking op de maairesultaten
- F. Controleer of de messen vrij rond de bevestigingsschroeven draaien. Verwijder eventuele obstakels

3. Reinigen van de aandrijfwielen

- A. Verwijder modder van de wielen met een borstel om een goede grip op het loopvlak te garanderen

4. De laadcontacten ontruimen

- A. Reinig de contactpennen op de oplaadbasis en de oplaadstrips op de Landroid met een doek
- B. Verwijder regelmatig de ophoping van grasresten of puin rond de contactpennen en de oplaadstrips om ervoor te zorgen dat Landroid elke keer met succes laadt

HOUD HET OPGELADEN

Het hart van Landroid is de 20V Li-Ion Worx Powershare Batterij.

- A. Voor de juiste opslag van de batterij, zorg ervoor dat deze volledig is opgeladen en op een koele droge plaats
- B. De aanbevolen Landroid werkingstemperatuur ligt tussen 0 en 55°C
- C. De levensduur van de batterij van Landroid is afhankelijk van het aantal uren gebruik en de gebruiksduur per dag tijdens het maaiseizoen

1. Landroid kan handmatig worden opgeladen zonder de grensdraad

- A. Sluit het laadstation aan op een geschikte stroomvoorziening. Het groene lampje op het laadstation gaat branden
- B. Landroid handmatig in het laadstation plaatsen terwijl Landroid is uitgeschakeld
- C. Het groene licht op de oplaadbasis gaat knipperen en Landroid zal beginnen met opladen

HOUD HET IN DE WINTER OPGESLAGEN

Hoewel Landroid is ontworpen en gebouwd om de zwaarste weersomstandigheden te overleven, raden wij aan om het in de winter op te slaan in uw schuur of garage. Voorbereiding voor de winterslaap:

- A. Maak het grondig schoon
- B. Laad de batterij volledig op
- C. Schakel de stroom uit

1. Terug aan het werk in het voorjaar

Wanneer het tijd is om Landroid opnieuw te starten voor het nieuwe seizoen, voer de volgende controles uit:

- A. Update de tijd- en datuminstellingen via de app
- B. Als u tekens van oxidatie ziet op de laadcontacten van Landroid en het laadstation, maak deze dan schoon met een fijn schuurpapiertje
- C. Laad de batterij van Landroid volledig op voordat hij in gebruik wordt genomen.

HOUD HEM GEÛPDATET

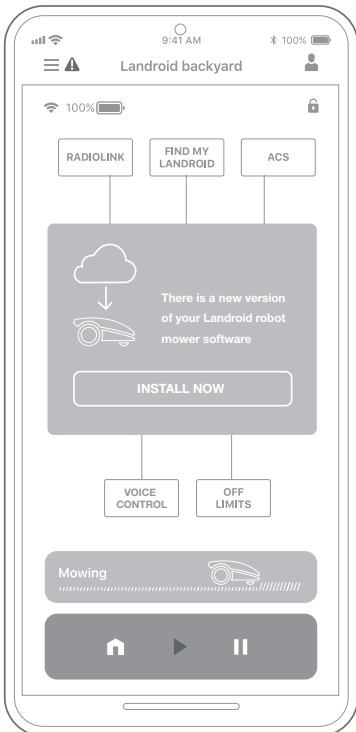
Landroid is altijd aan het verbeteren en nieuwe softwareversies zijn gratis beschikbaar. Houd Landroid-software altijd up-to-date om het meeste uit uw machine te halen.

1. Over-the-Air (OTA) updates

Als uw Landroid is verbonden met uw Wifi-netwerk, krijgt u bericht dat er nieuwe software beschikbaar is via de app. Als u eenmaal hebt bevestigd, zal de update automatisch Over-the-Air gebeuren

2. Controleer welke softwareversie u heeft.

Het softwareversienummer is zichtbaar als de Landroid is ingeschakeld.



3. Handmatige updates

- A. Als uw Landroid niet verbonden is met uw Wifi-netwerk, kunt u deze nog steeds updaten naar de nieuwste softwareversie met een USB-stick.
- B. Bezoek regelmatig de Worx Landroid website om te controleren of er een nieuwe versie beschikbaar is. Als u geabonneerd bent op de Landroid e-mail lijst, wordt u meegedeeld wanneer een nieuwe versie beschikbaar is
- C. Download de nieuwste softwareversie op onze website
- D. Neem een lege USB-stick die in FAT32 is geformatteerd
- E. Sla het zip-bestand op en pak de inhoud uit op uw USB-stick
- F. Plaats Landroid op een veilige en vlakke oppervlak
- G. Schakel Landroid uit.
- H. Ga naar de achterkant van de Landroid om toegang te krijgen tot de USB-poort.
- I. Steek de USB-stick in de poort
- J. Plaats de Landroid weer op het gazon, binnen het door de grensdraad afgebakende werkgebied
- K. Schakel Landroid in
- L. Verwijder de USB-geheugenstick wanneer "Verwijder de USB-sleutel" zonder de Landroid op te tillen.
- M. De update zal automatisch beginnen en kan enige tijd duren. Landroid start automatisch opnieuw op nadat de update is voltooid

OPMERKING: Zorg ervoor dat Landroid binnen de grens ligt bij het herstarten van Landroid.

BEDIENINGSBERICHTEN

BERICHT LANDROID ACTION	BERICHT LANDROID ACTION
Gras knippen	Gras maaien volgens het maaischema.
Regenen	De regensensor detecteert water. Landroid keert terug naar laadstation, en blijft in deze positie totdat deze is geprogrammeerd. Na het drogen start Landroid automatisch het aftellen van de regenvertraging en keert vervolgens terug naar de maaitoestand. Als u de Landroid eerder wilt maaien, schakelt u hem gewoon uit en weer in, maar alleen als de regensensor droog is, of u kunt de regenvertraging volledig elimineren door de regenvertragingstijd op nul te zetten.
Kom naar huis	Moet worden opgeladen - het snijmes stopt op weg naar de basis
Opladen	Geef "Opladen" en het oplaadpercentage weer.
Geen werkuren	Stand-by, moeten naar wens worden geprogrammeerd.
werkt niet vandaag	Stand-by start volgens het maaischema.
Werk vandaag gedaan	
Gebied zoeken	Volgens de instelling van "Aangepaste werkruijme" zoekt Landroid
klaar met opladen	Landroid heeft het opladen voltooid.
Noodopladen	Noodladen Landroid laadt op in de uit-stand.

FOUTMELDINGEN

Soms kan het misgaan. Gelukkig is Landroid slim genoeg om u te vertellen of hij een probleem heeft, zodat u het kunt oplossen. Bij twijfel kunt u onze website bezoeken waar u nuttige video's en verdere ondersteuning kunt vinden

MELDINGEN	ORZAAK	ACTIE
	Batterijklepje is niet gesloten	Sluit het batterijklepje
Buiten werkgebied! Druk op "START" om te resetten.	Landroid kan het grensdraadsignaal niet vinden.	1. Als Landroid daadwerkelijk buiten zijn werkgebied is: schakel de stroom uit, neem Landroid binnen het werkgebied, zet de stroom aan en druk op start. 2. Als Landroid zich binnen zijn werkgebied bevindt, controleer dan of de LED op het oplaadstation groen is. Indien rood, controleer dan of de grensdraad goed is aangesloten op het laadstation en of de basis is aangesloten op een geschikte stroomvoorziening. Als ze goed zijn aangesloten, zijn de grensdraden verkeerd vastgeklemd en moeten worden omgekeerd.
Motorstoring lemmet! Druk op "START" om te resetten.	Messchijf wordt geblokkeerd door een object, bijv. een tak.	Schakel de stroom uit. Zet Landroid ondersteboven en controleer of er iets is dat voorkomt dat de messchijf draait en verwijder eventuele obstakels. Zet Landroid rechtop. Schakel de stroom in. Druk op start.
	Het mes wordt overbelast door dik dicht gras.	Schakel de stroom uit. Breng Landroid naar een gebied met kort gras of stel de maaihoogte in op een hogere stand. Schakel de stroom in. Druk op start.
Motorstoring wielen! Druk op "START" om te resetten.	De wielmotor is op een of andere manier geblokkeerd.	Schakel de stroom uit en breng Landroid naar een gebied zonder obstakels. Schakel de stroom in. Druk op start. Als de foutmelding nog steeds wordt weergegeven, schakel de stroom uit. Draai Landroid ondersteboven en of er iets is dat het draaien van de wielen verhindert. Verwijder alle obstakels, zet Landroid rechtop, schakel de stroom in.
Ondersteboven! Druk op "START" om te resetten.	Dit kan zijn gebeurd toen Landroid in contact kwam met een hellend oppervlak waardoor hij omvalt.	Zet Landroid rechtop en verwijder alle obstakels die Landroid zouden kunnen doen kantelen.
Maaier zit vast! Druk op "START" om te resetten.	Landroid zit vast.	Schakel de stroom uit. Neem Landroid mee naar een gebied in uw gazon dat vrij is van obstakels, schakel dan de stroom in. Druk op start. Als de foutmelding nog steeds wordt weergegeven: schakel de stroom uit, draai Landroid ondersteboven. Controleer of er iets is dat het draaien van de wielen verhindert. Verwijder eventuele obstakels, zet Landroid rechtop, schakel de stroom in.
Maaier opgetild! Druk op "START" om te resetten.	Landroid wordt opgetild.	Schakel de stroom uit. Breng Landroid naar een gebied dat vrij is van obstakels, schakel de stroom in. Druk op start. Als de foutmelding nog steeds wordt weergegeven: schakel de stroom uit, draai Landroid ondersteboven en controleer of er iets is dat ervoor kan zorgen dat Landroid opgetild wordt. Verwijder alle mogelijke voorwerpen, zet Landroid rechtop, schakel de stroom in.
Accuspanning te laag! verander accu.	Batterij leeg.	In dit geval moet u Landroid uitzetten en in het laadstation plaatsen, dan wordt 'Noodladen' weergegeven en begint hij opladen. Als de batterijfout blijft aanhouden is uw batterij beschadigd en moet u deze vervangen.
Draad ontbreekt! Druk op "START" om te resetten.	Machine kan geen grensdraadsignaal vinden.	Als het LED-lampje rood is, controleer dan of de grensdraad goed is aangesloten op de klemmen op de laadvoet. Als het probleem aanhoudt, controleer dan of de grensdraad niet is doorgeknipt.

Accutemperatuur buiten bereik! even geduld.	De temperatuur is te hoog (hoger dan 55°C) or te laag (lager dan 0 °C) bij het opladen.	Plaats het laadstation in de schaduw of wacht totdat de normale temperatuur weer bereikt is.
Laadstation niet vindbaar! Druk op "START" om te resetten.	De grensdraad is langer dan de maximale lengte (350m) of de machine heeft niet genoeg vermogen om terug te gaan naar het laadstation.	Breng Landroid naar het laadstation.
Maaier op slot! bel de service om op te lossen.	Met de 'Lock Function' ingeschakeld, als uw Landroid gedurende 3 dagen geen signaal van uw Wifi-router ontvangt, dan wordt deze vergrendeld als een veiligheidsmaatregel. Dit kan zijn omdat uw router zijn vermogen heeft verloren of omdat u van Wifi-router of netwerkprovider bent veranderd.	Verbind Landroid opnieuw met het Wifinetwerk waarmee het oorspronkelijk gekoppeld was. Als dit niet mogelijk is, neem dan contact op met klantenservice.

OPMERKINGEN

- A. Voordat u de stroom inschakelt, moet u altijd controleren of Landroid zich binnen zijn werkgebied bevindt. Zo niet, dan verschijnt de melding "Buiten werkgebied! Druk op "START" om te resetten." wordt weergegeven Deze melding wordt ook weergegeven wanneer Landroid zich gedeeltelijk maar niet volledig binnen het werkgebied bevindt.
- B. Als u om wat voor reden dan ook - bijvoorbeeld een feestje, spelende kinderen... - uw Landroid in het laadstation wilt parkeren: druk op home en dan OK. Landroid zal naar de basis gaan en daar blijven. Let op Landroid zal nu wachten tot de volgende geplande maai beurt. Als u hem op elk moment opnieuw wilt starten, druk op start dan OK om uw Landroid te starten.
- C. Als er zich herhaaldelijk een fout voordoet in hetzelfde gebied van uw gazon, kan er een probleem zijn met de grensdraad, raadpleeg dan de installatie-instructies en controleer of uw installatie correct is met behulp van het apparaat.
- D. Als uw gazon is verdeeld in twee gescheiden gebieden, verbonden door een gang van minder dan 1 m breed, waarvan er één niet is voorzien van het laadstation: wanneer Landroid bijna leeg is, breng hem dan handmatig naar het laadstation
- E. Als Landroid af en toe abnormaal werkt, reset hem dan door hem uit te schakelen en de batterij gedurende 30 seconden te verwijderen, start hem dan opnieuw op. Als het probleem niet kan worden opgelost, neem dan contact op met onze klantenservice voor hulp

PROBLEEMOPLOSSING

Als uw Landroid niet goed werkt, volg dan de onderstaande probleemoplossingsgids. Als de storing aanhoudt, neem dan contact op met de klantenservice.

SYMPTOOM	OORZAAK	OPLOSSING
Het LED-lampje op het laadstation brandt niet.	Er is geen stroom.	Controleer of laadstation goed is aangesloten op de oplader en de oplader is aangesloten op een geschikte voeding.
Rood lampje op het laadstation.	De grensdraad is niet aangesloten.	Controleer of de grensdraad correct is aangesloten op het laadstation. Controleer of er geen onderbrekingen zijn in de grensdraad.
Landroid schakelt in, maar de messchijf draait niet.	Landroid is op zoek naar het laadstation.	Dit is normaal: wanneer Landroid moet opladen, draait de messchijf niet terwijl het automatisch op zoek is naar het laadstation.
Landroid trilt.	De messchijf is uit balans. De messen kunnen beschadigd zijn.	Controleer de messen en vervang ze bij beschadiging. Verwijder vuil en vreemde voorwerpen van de messen en de messchijf
Het gras wordt ongelijk gemaaid.	Landroid werkt niet genoeg uren per dag om het gras te maaien.	Probeer meer uren toe te voegen aan het maaischema.
	Het maaigebied is te groot voor het maat van Landroid die u heeft.	Probeer de grootte van het maaigebied te verkleinen of werktijd verlengen
	De messen zijn dof en niet scherp.	Vervang alle messen en schroeven om de messchijf in evenwicht te brengen.
	De maaihoogte is te laag ingesteld voor de lengte van het gras.	De maaihoogte verhogen en dan geleidelijk verlagen.
	Gras of een ander voorwerp is om de messchijf gewikkeld.	Controleer de messchijf en verwijder gras of andere voorwerpen die kunnen voorkomen dat het draait.
	Er zit een ophoping van gras in de messchijf of motorframebox.	Zorg ervoor dat de messchijf gemakkelijk draait. Indien nodig kunt u de messchijf verwijderen en vervolgens het vuil verwijderen.

De Landroid bevindt zich in zijn territorium en de grensdraad is aangesloten, maar op het scherm verschijnt het bericht 'Outside working area! Press START to reset'	De uiteinden van de grensdraden zijn verkeerd vastgeklemd.	Draai de uiteinden van de grensdraad om en sluit deze weer aan op het laadstation.
De laadtijd is veel langer dan de nominale laadtijd.	Slechte aansluiting door puin op de laadstrip.	Reinig de contactpennen op het laadstation en de oplaadstrip op Landroid met een doek.
	Het laadbeveiligingsprogramma wordt door de hoge temperatuur geactiveerd.	Plaats het laadstation in de schaduw of wacht tot de temperatuur is afgekoeld.
De maaier laadt niet op.	Er is geen stroom.	Controleer of het netsnoer goed is aangesloten op de oplader en of de oplader is aangesloten op een geschikte voeding. Zorg ervoor dat beide laadstrips op de maaier het midden van de contactstroken op de laadvoet aanraken.
Landroid begint een kortere doorlooptijd te krijgen tussen de ladingen.	Er zit iets verstopt in de messchijf dat wrijving veroorzaakt en het stroomverbruik doet toenemen.	Verwijder de messchijf en maak het schoon. Misschien is het gras te hoog en te dik.
	Landroid trilt hevig omdat de messchijf uit balans is.	Controleer de messchijf en messen, verwijder vuil en vreemde voorwerpen van de messen en de messchijf. Vervang de messen door een nieuwe set.
	De batterij kan leeg of oud zijn.	Vervang de batterij.
	De werktijd is voorbij	stel de werktijd opnieuw in
Landroid werkt niet op het juiste moment.	De klok is niet op de juiste tijd ingesteld.	Stel de klok op de juiste tijd in.
	De geprogrammeerde maaitijden voor Landroid zijn niet correct.	Wijzig de tijdstellingen voor het starten en stoppen van de maaier.
	Wekelijkse uptime percentage van APP instelling is veranderd.	Stel het juiste percentage in via de APP.
Landroid kan niet correct aanleggen bij het laadstation.	Milieu-invloeden.	Herstart Landroid.
	Slechte aansluiting door puin op de laadstrip.	Reinig de contactpennen op het laadstation en de oplaadstrip op Landroid met een doek.
Het groene lampje op het laadstation gaat branden voordat het opladen is voltooid.	het laadstation is te warm of te koud	Plaats het laadstation in de schaduw of wacht totdat de normale temperatuur weer bereikt is.
Landroid wielen slippen of glijden herhaaldelijk uit.	Onbekende obstakels, zoals twijgen en takken en filialen, kunnen worden opgeworpen onder Landroid worden geplaatst.	Verwijder vreemde voorwerpen van de onderkant van Landroid.
	Het gazon is te nat.	Wacht tot het gazon droog is.
Landroid loopt buiten de grensdraad. Landroid maait geen gebied binnen een grensdraadzone. Landroid draait of keert zich om of roteert onregelmatig in de buurt van de grensdraad.	De grensdraad van een andere Landroid- of robotmaaier is te dicht bij elkaar geplaatst.	Zorg ervoor dat er ten minste 1 meter ruimte is tussen uw grensdraad en die van uw buurman.
	Bij natte omstandigheden kan het elektrische signaal van de grensdraad lekken waar de draad verkeerd is aangesloten of gerepareerd.	Controleer de grensdraadverbindingen. Isoleren voor een volledig waterdichte verbinding.
	Er is sprake van lekkage van het elektrische signaal van de grensdraad door gebroken isolatie.	Herstel de beschadigde grensdraad met de meegeleverde draadaansluitingen.
Landroid glijdt uit zijn werkgebied en gaat van een heuvel af.	Lage grip van Landroid aandrijfwielen.	Controleer of de wielen schoon en vrij van modder zijn, om te zorgen dat maximale grip mogelijk is.

Landroid operative system crasht tijdens het opladen of stand-by.	Software- of weergavefout.	Herstart Landroid.
Landroid schakelt uit bij het aanleggen bij het laadstation.	Landroid laadt niet op als gevolg van overmatige temperatuurbescherming en wordt uitgeschakeld.	Plaats het laadstation in de schaduw of wacht tot de temperatuur is afgekoeld.
	Slechte verbinding.	Controleer het LED-lampje op de oplader. Controleer de verbinding tussen de contactpennen op het laadstation en de laadstrip.
Landroid stopt in het werkgebied.	Er is een obstakel in het werkgebied.	Verwijder het obstakel uit het werkgebied van Landroid.
	De maaihoogte is te laag ingesteld voor de lengte van het gras of het gras is te dicht.	De maaihoogte verhogen en dan geleidelijk verlagen.
	De verlengde grensdraad mag niet groter zijn dan 300 m of kan een signaalprobleem veroorzaken.	Verminder de lengte van de grensdraad.
	De afstand tussen het midden van het gazon en de grensdraad mag niet groter zijn dan 25 m of kan een signaalverzwakking veroorzaken.	Verklein de afstand tussen het midden van het gazon en de omtrek van de grensdraadperimeter binnen 25m.
Landroid slaat om.	Er is een hellend obstakel op het gazon.	Sluit het obstakel uit van Landroid's werkgebied.
Landroid maakt geen verbinding met het internet.	Controleer of uw router de juiste instellingen heeft.	Zorg ervoor dat uw router 2,4 GHz is. Als uw router twee instellingen heeft, schakel dan de 2,4 GHz band in. Zorg ervoor dat uw router is ingesteld op de 802.11-modus en dat de draadloze instelling b/g/n gemengd is. Zorg ervoor dat de SSID Broadcastfunctie op uw router is ingeschakeld wanneer u de machine met de app verbindt. U kunt het sluiten nadat u de verbinding met succes heeft gemaakt. Controleer of de DHCP-functie is ingeschakeld. Als u uw Wifi-netwerk hebt gewijzigd, moet u Landroid verbinden met het nieuwe netwerk. Als u een "Fritz! box" router hebt, moet u in de instellingen "Communicatie tussen apparaten in hetzelfde netwerk toestaan" activeren.
	Controleer of de router is losgekoppeld of de WIFI SSID is gewijzigd.	Zorg ervoor dat de router is aangesloten en de WIFI SSID juist is
Wanneer u "Maand / Uur / Minuut" aanpast, piept uw Landroid,	dit is normaal	Linksom  Maak aanpassingen.

BESCHERMING VAN HET MILIEU



Afgedankte elektrische producten kunt u niet met het normale huisafval weggooien. Breng deze producten, indien mogelijk, naar een recyclecentrum bij u in de buurt. Vraag de verkoper of de gemeente naar informatie en advies over het recyclen van elektrische producten.

CONFORMITEITVERKLARING

Wij,
Positec Germany GmbH
Grüner Weg 10, 50825 Cologne, Germany

Namens Positec verklaar ik dat het product
Beschrijving **Robotgrasmaaier**
Type **WR165E WR167E WR147E.1 WR148E (100-199 - aanduiding van machinerie, kenmerkend voor Robotgrasmaaier) (Het serienummer staat op de achterpagina) met acculader WA3775 / WA3776 /WA3750.1/ WA3755.1 en oplaadbasis WA4002.1**
Functie **gras maaien**

Overeenkomt met de volgende richtlijnen,
2006/42/EC, 2014/30/EU, 2014/35/EU, 2011/65/EU&(EU)2015/863, 2000/14/EC gewijzigd door 2005/88/EC, 2014/53/EU

WR165E WR167E

2000/14/EC gewijzigd door 2005/88/EC
- Procedure beoordeling conformiteit volgens **Annex V**
- Niveau gemeten geluidsvermogen **65.5 dB (A)**
- Opgegeven, gegarandeerde niveau geluidsvermogen **67 dB (A)**

WR147E.1 WR148E

2000/14/EC gewijzigd door 2005/88/EC
- Procedure beoordeling conformiteit volgens **Annex V**
- Niveau gemeten geluidsvermogen **61.56 dB (A)**
- Opgegeven, gegarandeerde niveau geluidsvermogen **63 dB (A)**

De betrokken aangemelde instantie
Naam: Intertek, Semko AB (aangemelde instantie0413)
Adres: Torshamnsgatan 43164 22 Kista Sweden
Certificaatnr. : 201002326SHA-V1

Standards in overeenstemming met,
**EN 60335-1:2012+A11+A13+A1+A14+A2:2019, EN 50636-2-107:2015+A1+A2:2020,
EN 60335-2-29:2004+A2+A11:2018, EN 62233:2008, EN 55014-1:2017+A11:2020,
EN 55014-2:2015, EN IEC 61000-3-2:2019, EN 61000-3-3:2013+A1:2019, EN ISO 3744:2005,
EN 300 328 V2.2.2, EN 301 489-1 V2.2.3, EN 301 489-17 V3.2.4, EN IEC 62311:2020,
EN 61558-1:2005+A1:2009, EN 61558-2-16:2009+A1:2013,
EN 55011:2016+A11:2020,
EN 303 447 V1.1.1
EN 55032:2015+A11:2020, EN 55035:2017+A11:2020**

De persoon die bevoegd is om het technische bestand te compileren,
Naam Marcel Filz
Adres Positec Germany GmbH, Grüner Weg 10, 50825 Cologne, Germany



2020/12/02
Allen Ding
Plaatsvervangend Chief Ingenieur, Testen en Certificering
Positec Technology (China) Co., Ltd
18, Dongwang Road, Suzhou Industrial
Park, Jiangsu 215123, P. R. China

BEZPIECZEŃSTWO PRODUKTU OGÓLNE I DODATKOWE INSTRUKCJE BEZPIECZEŃSTWA

⚠ OSTRZEŻENIE: Należy przeczytać wszystkie ostrzeżenia bezpieczeństwa i instrukcje. Nieprzestrzeganie ostrzeżeń i instrukcji może spowodować porażenie prądem, pożar i/lub poważne obrażenia.

Należy dokładnie przeczytać instrukcje dotyczące bezpiecznego użytkowania urządzenia.

Zachować wszystkie ostrzeżenia i instrukcje na przyszłość.

- Niniejsze urządzenie nie jest przeznaczone do użytku przez osoby (wliczając w to dzieci) z obniżonymi zdolnościami fizycznymi, sensorycznymi lub umysłowymi oraz nieposiadające doświadczenia i wiedzy na temat urządzenia, chyba że zostaną będą one nadzorowane lub zostaną poinstruowane w zakresie obsługi urządzenia przez osobę odpowiedzialną za ich bezpieczeństwo.

- Należy zadbać o to, by dzieci nie bawiły się urządzeniem.

- Baterię w tym urządzeniu może wymieniać tylko wykwalifikowany personel.

OSTRZEŻENIE: Do ładowania baterii używaj wyłącznie wymiennego zasilacza dostarczonego z urządzeniem.

OSTRZEŻENIE: Aby ograniczyć ryzyko urazu ciała lub uszkodzeń maszyny, nie wyjmować zestawu akumulatora przed wyłączeniem urządzenia.

WAŻNE

PRZECZYTAĆ DOKŁADNIE PRZED KORZYSTANIEM ZACHOWAĆ NA PRZYSZŁOŚĆ

Bezpieczne praktyki używania

Przeszkolenie

- Dokładnie przeczytać instrukcje. Upewnić się, że są one zrozumiałe oraz zaznajomić się z przyciskami sterowania i zasadami prawidłowego korzystania z urządzenia.
- Z urządzenia nie mogą korzystać osoby nieobeznane z niniejszymi instrukcjami lub dzieci. Miejscowe przepisy mogą ograniczać wiek osoby uprawnionej do korzystania z urządzenia;
- Operator lub użytkownik urządzenia ponoszą odpowiedzialność za zagrożenia powstałe dla osób trzecich lub ich mienia.

Przygotowanie

- Upewnić się, że przewód graniczny jest zainstalowany prawidłowo, zgodnie z instrukcjami.
- Regularnie sprawdzać obszar, w którym urządzenie ma być stosowane oraz usuwać wszystkie kamienie, patyki, druty, kości i inne ciała obce.
- Przeprowadzać regularne inspekcje wzrokowe ostrzy, trzpieni i zespołu tnącego pod kątem zużycia lub uszkodzenia. Wymieniać zużyte lub uszkodzone ostrza i trzpienie w zestawach w celu zachowania wyważenia urządzenia.
- W przypadku urządzeń z wieloma narzędziami tnącymi należy zachować ostrożność, ponieważ ruch jednego ostrza może doprowadzić do rotacji pozostałych ostrzy.
- OSTRZEŻENIE!** Nie należy korzystać z robota do koszenia trawy bez założonej osłony.

Korzystanie z urządzenia

1. Informacje ogólne

- Nigdy nie należy używać urządzenia z uszkodzonymi osłonami lub bez elementów zabezpieczających, np. deflektorów;
- Nie umieszczać rąk lub stóp w pobliżu obracających się części lub pod nimi. Zawsze trzymać się z dala od otworu wylotowego.
- Nigdy nie podnosić ani nie przenosić urządzenia, gdy silnik pracuje.
- Uruchomić mechanizm wyłączający urządzenia.

- Przed usuwaniem blokady;
- Przed sprawdzaniem, czyszczeniem lub wykonywaniem prac na urządzeniu.
- e) Dokonywanie zmian w konstrukcji robota do koszenia trawy jest niedozwolone. Wszelkie modyfikacje wykonywane są na ryzyko użytkownika.
- f) Robot do koszenia trawy należy uruchamiać zgodnie z instrukcjami. Gdy przełącznik zasilania jest ustawiony w pozycji włączonej, upewnić się, że ręce i stopy znajdują się daleko od obracających się ostrzy. Nigdy nie należy umieszczać rąk lub nóg pod robotem.
- g) Nie wolno podnosić lub przenosić robota do koszenia trawy, gdy przełącznik zasilania ustawiony jest w pozycji włączonej.
- h) Nie dopuszczać do korzystania z robota osób, które nie są obeznane ze sposobem jej pracy i zachowania.
- i) Nie umieszczać żadnych przedmiotów na robocie lub stacji ładowania.
- j) Nie korzystać z robota do koszenia trawy w przypadku wadliwej tarczy tnącej lub korpusu. Nie należy również korzystać z robota w przypadku wadliwych ostrzy, śrub, nakrętek lub przewodów.
- k) Gdy robot nie będzie używany, należy zawsze wyłączać go przy użyciu głównego włącznika. Robot do koszenia trawy uruchamiany jest gdy przełącznik zasilania ustawiony jest w pozycji włączonej i wprowadzony zostanie prawidłowy kod PIN.
- l) Zabrania się zbliżania kończyn (ręce oraz nogi) do łopatek wirujących. Nigdy nie wkładać rąk lub stóp pod pracującą lub włączoną kosiarkę.
- m) Unikać używania urządzenia i wyposażenia dodatkowego w złych warunkach pogodowych, zwłaszcza gdy istnieje ryzyko wyładowań atmosferycznych.
- n) Nie dotykać poruszających się części, zanim nie zatrzymają się całkowicie.
- o) W przypadku urządzeń wykorzystywanych w miejscach publicznych, oznaczenia ostrzegawcze powinny być ustawiane wokół obszaru pracy maszyny. Powinny one zawierać następujący tekst:
OSTRZEŻENIE! Automatyczna kosiarka! Nie podchodzić do maszyny! Pilnować dzieci!

2. Ponadto, gdy narzędzie pracuje w trybie automatycznym

- a) Nie należy zostawiać pracującego urządzenia bez nadzoru wiedząc, że w pobliżu znajdują się zwierzęta domowe, dzieci lub inne osoby.

Konserwacja i przechowywanie

OSTRZEŻENIE! Gdy kosiarka jest odwrócona spodem do góry, przełącznik zasilania musi być wyłączony.

Przycisk zasilania powinien być wyłączony zawsze, gdy prowadzone są jakiegokolwiek prace przy dolnej ramie kosiarki, na przykład czyszczenie lub wymiana ostrzy.

- a) Wszystkie nakrętki, trzpienie i śruby muszą być dokręcone, aby upewnić się, że urządzenie jest w bezpiecznym stanie.
- b) Sprawdzać stan robota do koszenia trawy co tydzień i wymieniać zużyte lub uszkodzone części w celu zachowania bezpieczeństwa.
- c) Należy w szczególności sprawdzać ostrza i tarczę tnącą pod kątem uszkodzeń. W razie konieczności wszystkie ostrza i śruby należy wymieniać w tym samym czasie, aby zachować wyważenie części obrotowych.
- d) Upewnić się, iż użyto właściwego rodzaju zamiennych części tnących.
- e) Upewnić się, że akumulatory są ładowane przy użyciu odpowiedniej ładowarki zalecanej przez producenta. Nieprawidłowe zastosowanie może spowodować porażenie prądem, przegrzanie lub wyciek płynu korozyjnego z akumulatora.
- f) W przypadku wycieku elektrolitu z akumulatora należy przepłukać miejsce wodą/środkiem neutralizującym, a w przypadku, gdy elektrolit wejdzie w kontakt z oczami, itp., należy

zasięgnąć pomocy lekarskiej.

g) Urządzenie powinno być serwisowane zgodnie z instrukcjami producenta.

Zalecenie

Urządzenie oraz wyposażenie dodatkowe podłączać wyłącznie do układu elektrycznego wyposażonego w ochronę za pomocą wyłącznika różnicowoprądowego, z prądem zadziałania nie większym niż 30 mA.

Ryzyko

Podczas wymiany ostrzy używać rękawic ochronnych.

Transport

Do transportu robota do koszenia trawy na duże odległości należy zastosować oryginalne opakowanie.

W celu bezpiecznego przeniesienia z miejsca pracy lub w jego obrębie:

- a) Nacisnąć przycisk STOP w celu zatrzymania robota.
4-cyfrowy kod PIN jest wybierany podczas pierwszego uruchomienia robota.
- b) Zawsze wyłączać robota do koszenia trawy, gdy ma być przenoszony.
- c) Robota należy przenosić trzymając za uchwyt znajdujący z przodu częścią robota. Robota należy przenosić trzymając tarczę tnącą z dala od ciała.

Wymagania dotyczące narażenia na RF

Aby spełnić wymagania dotyczące narażenia na RF, należy zachować odległość min. 200mm lub więcej między urządzeniem i osobami podczas pracy maszyny.

Dla zapewnienia zgodności, nie zaleca się pracy w odległości mniejszej niż wskazana powyżej. Antena stosowana w tym przekaźniku nie może być ustawiona równocześnie z żadną inną anteną lub przekaźnikiem.

Instrukcja bezpieczeństwa dotycząca modułu akumulatora

- a) **Nie demontuj, nie otwieraj lub nie niszczy ogniw pomocniczych lub modułu akumulatora.**
- b) **Nie zwieraj ogniwa lub modułu akumulatora. Nie przechowuj ogniw lub modułu akumulatora w sposób beładny w pudle lub szufladzie, gdzie mogą się wzajemnie zewrzeć lub ulec zwarcia przez inne metalowe przedmioty.** Nie używany akumulator należy trzymać z daleka od spinaczy, monet, kluczy, gwoździ, śrub lub innych małych przedmiotów metalowych, które mogłyby spowodować zmostkowanie kontaktów. Zwarcie pomiędzy kontaktami akumulatora może spowodować oparzenia lub pożar.
- c) **Nie narażaj ogniwa lub modułu akumulatora na działanie ciepła lub ognia. Unikaj składowania w miejscach pod bezpośrednim działaniem światła słonecznego.**
- d) **Nie narażaj ogniwa lub modułu akumulatora na uderzenia mechaniczne.**
- e) **W razie wycieku z ogniwa, nie dopuść, aby płyn zetknął się ze skórą lub dostał się do oczu. Jeśli już nastąpił kontakt z płynem, przemyj skażoną powierzchnię dużą ilością wody i zwróć się o pomoc medyczną.**
- f) **Nie używaj ogniwa lub modułu akumulatora nie przeznaczonego do pracy z danym urządzeniem.**
- g) **Utrzymuj ogniwa i moduł akumulatora w czystości i w stanie suchym.**
- h) **Jeśli zaciski ogniwa lub akumulatora zostały zanieczyszczone, oczyść je czystą i suchą szmatką.**
- i) **Ogniwa pomocnicze i moduł akumulatora należy przed użyciem naładować. Zawsze używaj właściwej ładowarki i przestrzegaj instrukcji ładowania zawartej w instrukcji obsługi dostarczonej przez producenta urządzenia.**

- j) Nie pozostawiaj modułu akumulatora na długie ładowanie, jeśli go nie używasz.**
- k) Po dłuższym okresie składowania może być niezbędne kilkukrotne naładowanie i rozładowanie ogniwa lub modułu akumulatora, aby uzyskać optymalną wydajność.**
- l) Akumulatory należy ładować tylko w ładowarkach, które poleci producent.**
- m) Nie używaj ogniwa lub modułu akumulatora nie przeznaczonego do pracy z danym urządzeniem.**
- n) Trzymaj ogniwa i moduł akumulatora poza zasięgiem dzieci.**
- o) Zachowaj oryginalne instrukcje produktu do wglądu.**
- p) Kiedy to możliwe, wyjmuj moduł akumulatora, jeśli urządzenia się nie używa.**
- q) Zużyte ogniwa i akumulatory utylizuj zgodnie z zasadami gospodarki odpadami.**
- r) Nie używaj w urządzeniu ogniwa różnych producentów, pojemności i wymiarów.**
- s) Nie wyjmuj baterii z oryginalnego opakowania do momentu zastosowania w urządzeniu.**
- t) Kieruj się poprawną biegunowością wyznaczoną za pomocą symboli plus (+) i minus (-) na baterii / akumulatorze.**

INFORMACJE DOTYCZĄCE ROBOTA LANDROID



OSTRZEŻENIE – robot do koszenia trawy może być niebezpieczny w przypadku niewłaściwego użytkowania.
Przed przystąpieniem do użytkowania robota do koszenia trawy należy dokładnie przeczytać i zrozumieć tekst Instrukcji obsługi.



OSTRZEŻENIE - Zachować bezpieczną odległość od urządzenia podczas



OSTRZEŻENIE –Przed przystąpieniem do prac na urządzeniu lub jego podnoszeniem należy je wyłączyć.



OSTRZEŻENIE –Nie jeździć na urządzeniu.



Li-Ion



Bateria litowo-jonowa. Ten produkt oznaczono symbolem nakazującym „segregację” baterii i akumulatorów. Produkt zostanie poddany recyklingowi lub rozmontowany, aby zmniejszyć jego wpływ na środowisko. Akumulatory mogą być niebezpieczne dla środowiska i dla zdrowia ludzkiego, ponieważ zawierają niebezpieczne substancje.



Nie spalać.



W przypadku niewłaściwej obsługi akumulator może przedostać się do obiegu wody, co może spowodować uszkodzenie ekosystemu. Nie wyrzucaj zużytych baterii jako nieposortowanych odpadów komunalnych.



Nie demontuj urządzenia bez zezwolenia



Odpady wyrobów elektrycznych nie powinny być wyrzucane razem z odpadami gospodarstwa domowego. Należy korzystać z recyklingu, jeśli istnieje odpowiednia infrastruktura. Porady dotyczące recyklingu można uzyskać u władz lokalnych lub sprzedawcy detalicznego.



Urządzenie klasy III



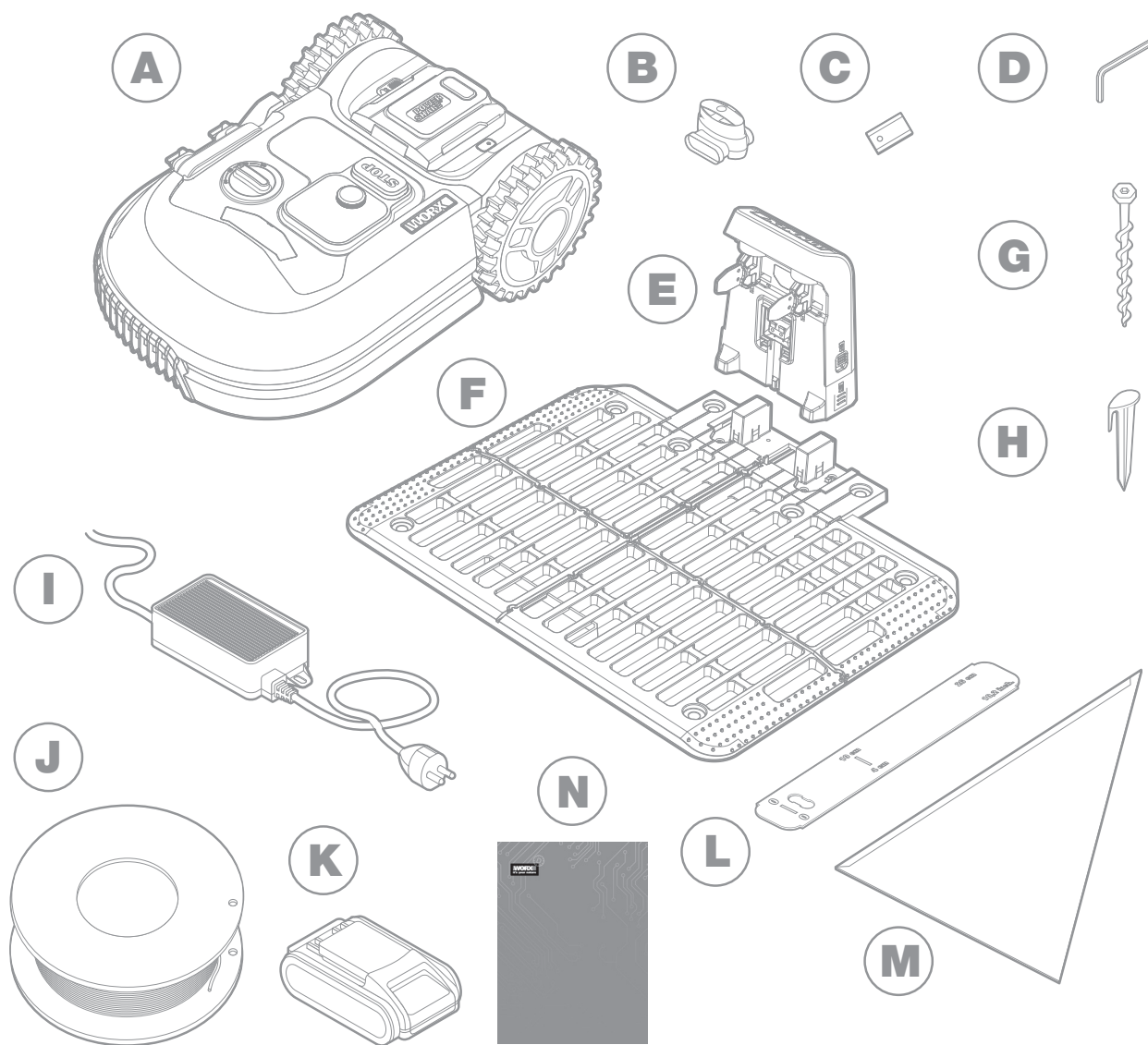
Przeczytaj instrukcję obsługi



Wyjmowana jednostka zasilająca

Landroid można wykorzystywać z innymi akcesoriami Worx. Patrz strona www.worxlandroid.com, aby lepiej poznać dostępne opcje akcesoriów.

LISTA CZĘŚCI ZAWARTOŚĆ PUDEŁKA



Rysunek jedynie dla celów referencyjnych.

A Worx Landroid

B Złącza do naprawy przewodów

C Zestawy ostrzy zapasowych

D Klucz sześciokątny

E Stos ładowania

F Stacja ładowania

G Śrub

H Kołki do przewodu

I Zasilacz

J Przewód

K Akumulator 20V

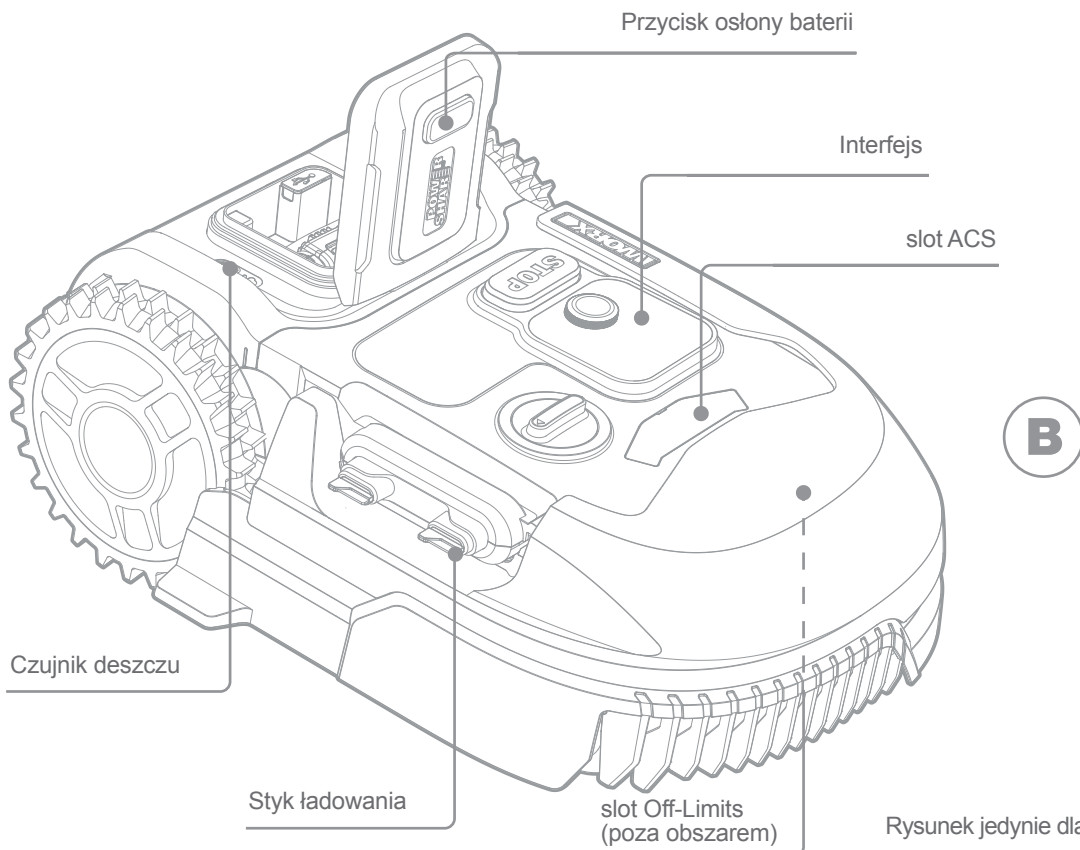
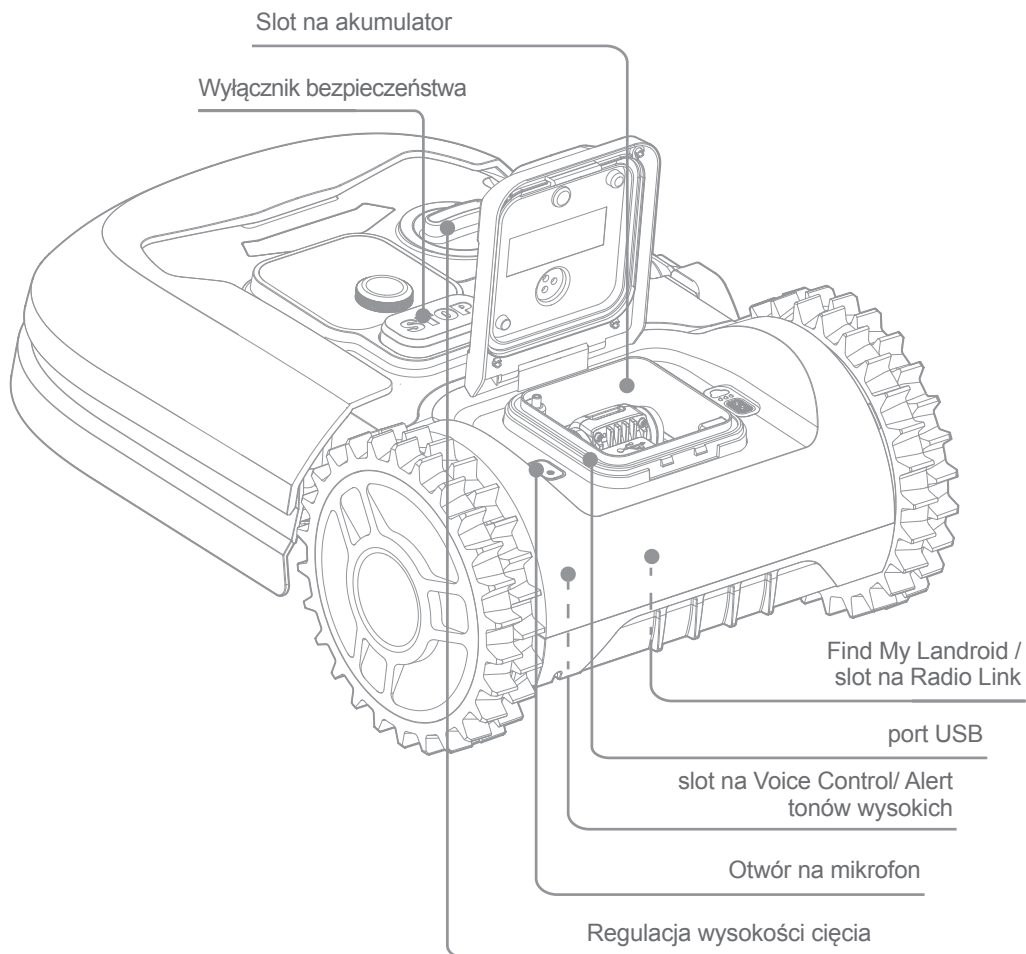
L Wzorniki odległościowe przewodu granicznegoruletā

M kątownik

N Instrukcja

**POZNANIE
LANDROID**

A



Rysunek jedynie dla celów referencyjnych.


DANE TECHNICZNE

Typ **WR165E WR167E WR148E WR147E.1** (100-199 - oznaczenie maszyn zgodnych z robotem do koszenia trawy)

	WR165E	WR167E	WR148E	WR147E.1
Napięcie znamionowe	20 V Max.*			
Prędkość na biegu jałowym (/min)	2800		2400	
Powierzchnia koszenia (m ²)	500	700	800	1000
Średnica koszenia (cm)	18		20	
Wysokość koszenia (mm)	30-60			
Pozycje wysokości koszenia	4			
Typ akumulatora	Litowo-jonowa			
Model akumulatora	WA3551.3	WA3553.3	WA3551.3	WA3553.3
Czas ładowania Ok. (mins)	75	150	75	75
Model ładowarki	WA3750.1/ WA3755.1			WA3775 / WA3776
Moc znamionowa ładowarki	Wejściowa:100-240 V~50/60 Hz, 38 W, Wyjściowa : 20V , 1.5 A			Wejściowa:100-240 V~50/60 Hz, 90 W, Wyjściowa : 20 V , 3.0 A
Masa urządzenia (kg)	9.5	9.8	11.7	12
Stopień ochrony	III			
App(Wi-Fi/Bluetooth)	Y			
Pasma częstotliwości wbudowanego modułu WLAN	2.412GHz-2.484GHz			
Maks. wartość częstotliwości radiowej wbudowanego modułu WLAN	802.11b:+16±2dBm(@11Mbps) 802.11g:+14±2dBm(@54Mbps) 802.11n:+13±2dBm(@HT20,MCS7)			
Pasma częstotliwości systemu pętli indukcyjnych	77 Hz			
Maksymalna moc RF systemu pętli indukcyjnych	82 dBμA/m			

* Napięcie mierzone bez obciążenia. Początkowe napięcie akumulatora osiąga maksymalną wartość 20V. Napięcie nominalne wynosi 18V.

HAŁAS DANE

	WR165E	WR167E	WR148E	WR147E.1
Poziom ciśnienia akustycznego	$L_{pA} = 45.5 \text{ dB(A)}$		$L_{pA} = 40.68 \text{ dB(A)}$	
	$K_{pA} = 0.6 \text{ dB(A)}$		$K_{pA} = 1.36 \text{ dB(A)}$	
Poziom mocy akustycznej	$L_{wA} = 65.5 \text{ dB(A)}$		$L_{wA} = 61.56 \text{ dB(A)}$	
	$K_{wA} = 0.6 \text{ dB(A)}$		$K_{wA} = 1.36 \text{ dB(A)}$	
Należy stosować ochronę uszu w przypadku, gdy ciśnienie akustyczne przekracza wartość 80 dB (A). 				

Nie da się uniknąć pewnego hałasu wydawanego przez urządzenie. Przeprowadzanie hałaśliwych prac musi być objęte licencją i ograniczone w niektórych okresach. Należy zachować przerwy na odpoczynek oraz może zająć konieczność ograniczenia godzin pracy do minimum. W celu zapewnienia ochrony osobistej oraz ochrony osób pracujących w pobliżu, należy zastosować odpowiednią ochronę uszu.

AKCESORIA

	WR165E	WR167E	WR148E	WR147E.1
Śrub	9	9	9	9
Stacja ładowania	1	1	1	1
Śruby mocujące stacji ładowania	8	8	8	8
Przewód graniczny o długości	130m	150m	150m	180m
Szpilek mocujących przewodu	180	210	210	250
Klucz sześciokątny	1	1	1	1
Miernik odległości przewodu granicznego	2	2	2	2
Ostrzy	9	9	9	9
Złącze	2	2	2	2
Akumulator (WA3551.3)	1	/	1	/
Akumulator (WA3553.3)	/	1	/	1
Ładowarki (WA3750.1/ WA3755.1)	1	1	1	/
Ładowarki (WA3775 / WA3776)	/	/	/	1

Zalecamy nabywanie oryginalnych akcesoriów podanych powyżej z tego samego sklepu, w którym dokonano zakupu narzędzia. Dalsze szczegóły można znaleźć na opakowaniu akcesoriów. Pracownicy sklepu mogą służyć pomocą i radą.

UŻYCIĘ ZGODNE Z PRZEZNACZENIEM

Niniejszy produkt przeznaczony jest do koszenia trawy w prywatnym zakresie. Jest przeznaczony do częstego koszenia, zapewniając zdrowszy i lepiej wyglądający trawnik niż kiedykolwiek wcześniej. W zależności od wielkości trawnika, robota Landroid można zaprogramować tak, aby pracował o dowolnej godzinie lub z dowolną częstotliwością. Urządzenie nie jest przeznaczone do prac wykopowych, zmiatania lub odgarniania śniegu.

KONSERWACJA

Twój Landroid ciężko pracuje i musi być od czasu do czasu czyszczony i sprawdzany. Ten dział instrukcji pomaga utrzymać Landroida w dobrym stanie, dzięki czemu może on przetwać wiele lat bez problemów. Oto jak dbać o Landroida. Przed przystąpieniem do konserwacji lub prac serwisowych należy wyłączyć urządzenie.

OSTRZENIE

Landroid nie kosi trawy jak inne kosiarki. Jego ostrza tnące są ostre jak brzytwa na 2 krawędziach i obracają się w obu kierunkach dla uzyskania maksymalnej wydajności cięcia.

- A. Tarcza tnąca ostrza obraca się losowo w prawo i w lewo, aby wykorzystać obie krawędzie tnące i zminimalizować częstotliwość wymiany ostrzy.
- B. Każde ostrze tnące wytrzyma do 2 miesięcy, gdy urządzenie jest zaprogramowane na codzienne koszenie.
- C. Zawsze sprawdzaj, czy ostrza są wyszczerbione lub uszkodzone i wymieniaj je w razie potrzeby.
- D. Jeśli ostrza tnące są tępe i zużyte, wymień je na ostrza zapasowe dostarczone wraz z Landroidem. Ostrza zapasowe są również dostępne w najbliższym sklepie Landroid.

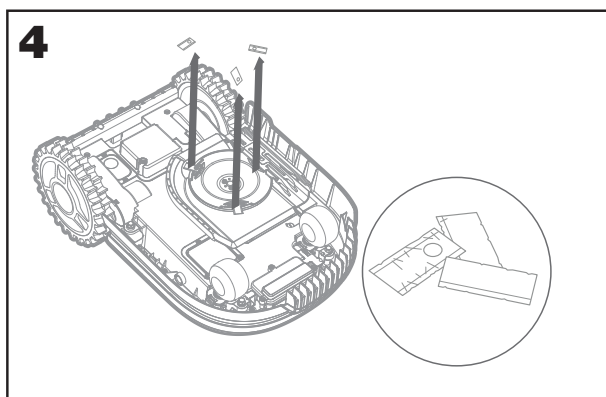
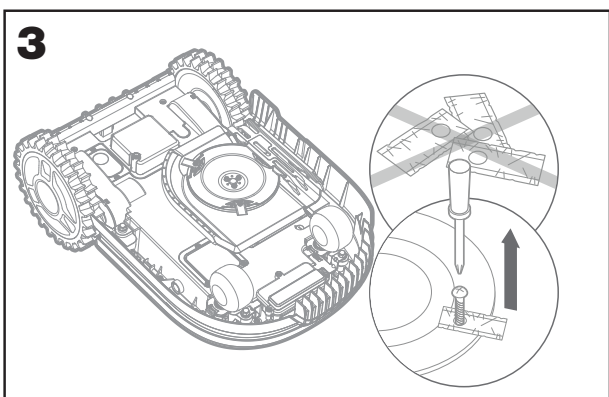
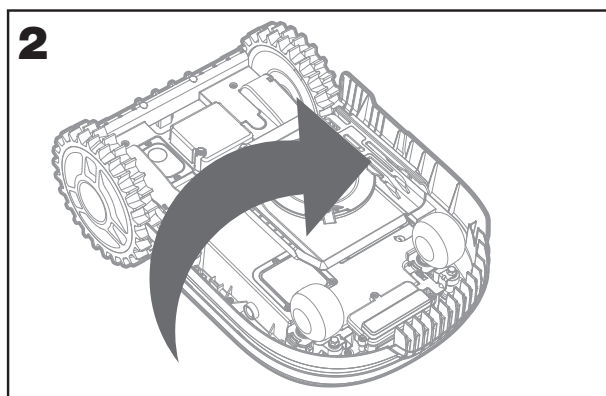
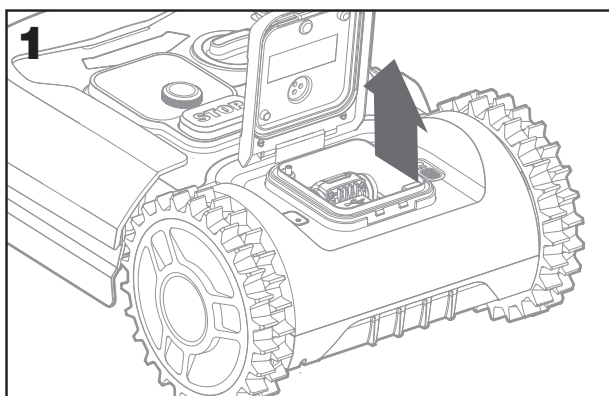
⚠️ OSTRZEŻENIE! Przed czyszczeniem, regulacją lub wymianą ostrzy należy wyłączyć Landroida i wyjąć akumulator. Zawsze używaj rękawic ochronnych.

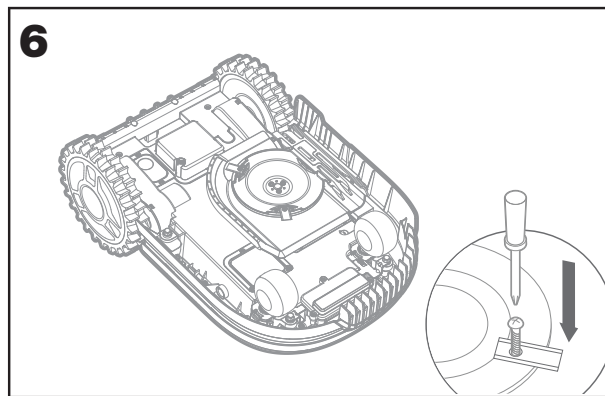
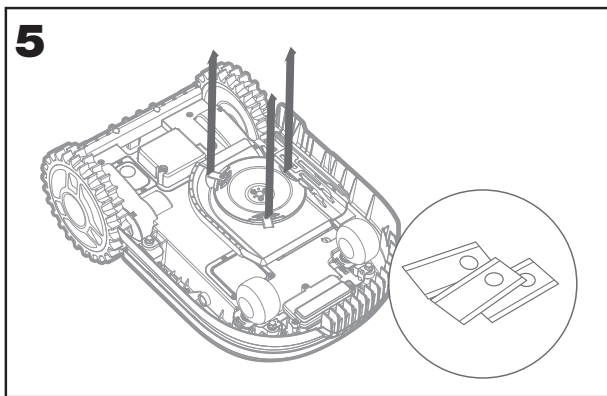
1. Wymiana ostrzy

Wyjmij akumulator (rys. 1) i delikatnie obróć Landroida (rys. 2)

Wyjmij śruby z ostrzy za pomocą śrubokrętu (rys. 3 - 4)

Mocno przykręć nowe ostrza (rys. 5 - 6)





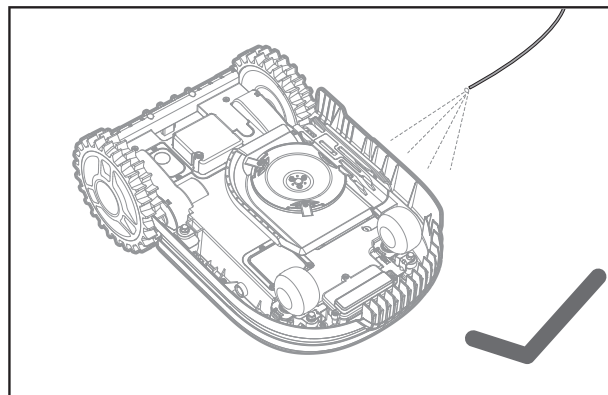
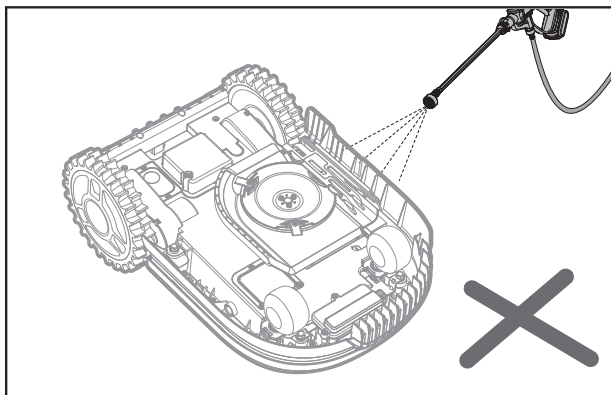
⚠ Uwaga: Przy montażu nowych ostrzy należy pamiętać o wymianie **WSZYSTKICH** ostrzy. Przy montażu ostrzy zawsze używaj nowych śrub. Jest to ważne, aby zapewnić mocowanie ostrza i równowagę tarczy. Niezastosowanie nowych ostrzy może spowodować poważne obrażenia. Ważne: Po przykręceniu ostrza do tarczy, upewnij się, że ostrze może swobodnie się obracać.

CZYSZCZENIE

Twój Landroid powinien być regularnie czyszczony. Pomaga to utrzymać go w dobrym stanie, zwłaszcza usuwając brud, gruz i nagromadzenie trawy z codziennego koszenia. Przed czyszczeniem wyłącz Landroida. Dla większego bezpieczeństwa wyjmij akumulator.

⚠ Uwaga: Podczas czyszczenia Landroid upewnij się, że pokrywa baterii jest zamknięta.

⚠ OSTRZEŻENIE! TWÓJ robot Landroid można czyścić tylko za pomocą węża! **NIE** używaj myjki ciśnieniowej na Landroid. Woda pod wysokim ciśnieniem może dostać się do wnętrza uszczelnienia i uszkodzić części elektroniczne i mechaniczne.



1. Czyszczenie górnej obudowy

- A. Czyść za pomocą butelki z rozpylaczem wypełnionej wodą. Nie używaj rozpuszczalników ani środków polerujących.
- B. Użyj szczotki lub czystej szmatki, aby usunąć nagromadzony brud.

2. Czyszczenie spodu

- A. Obróć Landroida do góry nogami.
- B. Usuń resztki i ścinki trawy za pomocą szczotki.
- C. Uważaj, aby nie dotykać ostrzy rękami. Dla ochrony zakładaj rękawice ochronne.
- D. Dokładnie czyść tarcze, podwozie i przednie koło (koła) miękką szczotką lub wilgotną szmatką.
- E. Obróć tarczę, aby upewnić się, że obraca się ona swobodnie. Usuń wszelkie przeszkody. Usuń wszelkie zalegające resztki, aby nie spowodowały pęknięcia tarczy tnącej. Nawet najmniejsze pęknięcia wpływają na wydajność koszenia.
- F. Sprawdź, czy ostrza obracają się swobodnie wokół śrub mocujących. Usuń wszelkie przeszkody

3. Czyszczenie kół napędowych

- A. Usuń błoto z kół za pomocą szczotki, aby zapewnić dobrą przyczepność bieżnika.

4. Oczyszczanie styków ładowania

- A. Wyczyść szmatką styki znajdujące się na stacji ładowania i paski ładowania znajdujące się na Landroidzie.
- B. Okresowo usuwaj wszelkie nagromadzone ścinki trawy lub resztki trawy wokół styków i pasków ładowania, aby zapewnić efektywne ładowanie Landroida za każdym razem.

ŁADOWANIE

Sercem Landroida jest 20 V akumulator litowo-jonowy Worx Powershare.

- A. W celu prawidłowego przechowywania akumulatora należy upewnić się, że jest on w pełni naładowany i przechowywany w chłodnym
- B. Zalecana temperatura pracy Landroida wynosi od 0 do 55°C.
- C. Żywotność akumulatora Landroida zależy od liczby godzin pracy i długości użytkowania w ciągu dnia w sezonie koszenia.

1. Landroid może być ładowany ręcznie bez przewodu granicznego.

- A. Podłącz stację ładowania do odpowiedniego źródła zasilania. Zielone światło na stacji ładowania włączy się.
- B. Ręcznie zadokuj Landroida w stacji ładowania, podczas gdy Landroid jest wyłączony.
- C. Zielone światło na stacji ładowania będzie migać i Landroid zacznie się ładować.

PRZECHOWYWANIE ZIMĄ

Chociaż Landroid został zaprojektowany i zbudowany tak, aby przetrwać najcięższe warunki pogodowe, zalecamy przechowywanie go podczas zimy w szopie lub garażu. Aby przygotować go na sezon zimowy:

- A. Dokładnie go wyczyść
- B. W pełni naładuj akumulatory
- C. Wyłącz zasilanie

1. Powrót do pracy na wiosnę

Kiedy nadszedł czas, aby ponownie uruchomić Landroida na nowy sezon, należy wykonać następujące kontrole:

- A. Zaktualizuj ustawienia czasu i daty za pomocą aplikacji.
- B. Jeśli zauważysz oznaki utleniania na stykach ładowania Landroida i stacji ładowania, oczyść je za pomocą drobnoziarnistego papieru ściernego.
- C. Przed rozpoczęciem pracy w pełni naładuj akumulator Landroida.

AKTUALIZACJA

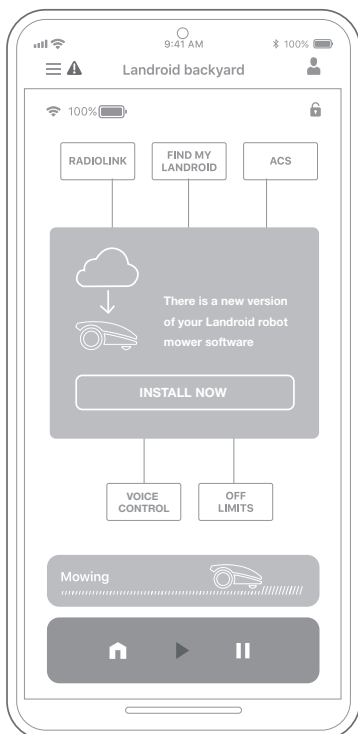
Landroid jest stale ulepszany, a nowe wersje oprogramowania są dostępne za darmo. Zawsze aktualizuj oprogramowanie Landroida, aby jak najlepiej wykorzystać swoją maszynę.

1. Aktualizacje Over-the-Air (OTA)

Jeśli Twój Landroid jest podłączony do sieci Wi-Fi, w aplikacji zostaniesz powiadomiony o dostępności nowego oprogramowania. Po potwierdzeniu, nastąpi automatyczna aktualizacja Over-the-Air.

2. Sprawdź, którą wersję oprogramowania posiadasz.

Numer wersji oprogramowania jest widoczny przy włączaniu robota Landroid



3. Aktualizacje ręczne

- A. Jeśli Landroid nie jest podłączony do sieci Wi-Fi, można nadal aktualizować go do najnowszej wersji oprogramowania z pamięci USB
- B. Regularnie odwiedzaj stronę internetową Worx Landroid, aby sprawdzić, czy dostępna jest jakaś nowa wersja. Jeśli zapisałeś się na listę mailingową Landroid, zostaniesz poinformowany o dostępności nowej wersji.
- C. Pobierz najnowszą wersję oprogramowania z naszej strony internetowej.
- D. Skorzystaj z pustego nośnika USB sformatowanego w FAT32.
- E. Zapisz plik zip i rozpakuj zawartość do pamięci USB.
- F. Umieść Landroida na bezpiecznej i równej powierzchni.
- G. Wyłącz urządzenie.
- H. Przejdź do tyłu Landroida, aby uzyskać dostęp do portu USB.
- I. Włóż nośnik USB do portu.
- J. Umieść Landroida ponownie na trawniku, w obszarze roboczym ograniczonym przewodem granicznym.
- K. Włącz Landroida.
- L. Wyjmij pamięć USB, gdy "Wyjmij klucz USB" bez podnoszenia Landroid
- M. Aktualizacja rozpocznie się automatycznie i może trochę potrwać. Landroid automatycznie uruchomi się ponownie po zakończeniu aktualizacji.

UWAGA: Upewnij się, że Landroid znajduje się wewnątrz granicy podczas restartu Landroida.

KOMUNIKATY OPERACYJNE

WIADOMOŚĆ LANDROID ACTION	WIADOMOŚĆ LANDROID ACTION
Cięcie trawy	Cięcie trawy zgodnie z harmonogramem koszenia.
Pada	Czujnik deszczu wykrywa wodę. Landroid powróci do stacji ładującej i pozostanie w tej pozycji do czasu zaprogramowania. Po wyschnięciu Landroid automatycznie rozpocznie odliczanie opóźnienia deszczu, a następnie powróci do stanu koszenia. Jeśli chcesz skosić Landroid wcześniej, po prostu wyłącz go i włącz ponownie, ale tylko wtedy, gdy czujnik deszczu jest suchy, lub możesz całkowicie wyeliminować opóźnienie deszczu, ustawiając czas opóźnienia deszczu na zero.
Wróć do domu	Wymagane naładowanie - ostrze tnące zatrzymuje się w drodze do podstawy
Ładowanie	Wyświetl "Ładowanie" i procent naładowania.
Brak godzin pracy	Czuwanie, należy zaprogramować zgodnie z wymaganiami.
Nie pracuje dzisiaj	Tryb gotowości, rozpocznie się zgodnie z harmonogramem koszenia.
Praca wykonana dzisiaj	
Wyszukiwanie obszaru	Zgodnie z ustawieniem "Niestandardowy obszar roboczy" Landroid wyszukuje
zakończone ładowanie	Landroid zakończył ładowanie.
Ładowanie awaryjne	Ładowanie awaryjne Landroid ładuje się w stanie wyłączonym.

KOMUNIKATY BŁĘDÓW

Czasami rzeczy mogą pójść nie po Twojej myśli. Na szczęście Landroid jest na tyle inteligentny, że powie Ci, iż napotkał problem, abyś mógł go naprawić. W razie wątpliwości, odwiedź naszą stronę internetową, gdzie znajdziesz przydatne filmy i dalsze wsparcie.

KOMUNIKAT	PRZYCZYNA	DZIAŁANIE
	Pokrywa baterii nie jest zamknięta	Zamknij pokrywę baterii
Poza obszarem roboczym! Nacisnij przycisk „START” aby zresetować.	Landroid nie może znaleźć sygnału przewodu granicznego.	1. Jeśli Landroid znajduje się poza swoim obszarem roboczym: wyłącz zasilanie, przenieś Landroida wewnątrz obszaru roboczego, włącz zasilanie i naciśnij „Start”. 2. Jeśli Landroid znajduje się wewnątrz swojego obszaru roboczego, sprawdź czy dioda LED na stacji ładowania świeci się ciągłym zielonym światłem. Jeśli jest ono czerwone, sprawdź czy przewód graniczny jest prawidłowo podłączony do stacji ładowania i czy baza jest podłączona do odpowiedniego źródła zasilania. Jeśli są one prawidłowo podłączone, zaciski przewodu granicznego są nieprawidłowo zaciśnięte i muszą zostać odwrócone.
Niepoprawny PIN! Wprowadz ponownie.	Kod PIN jest nieprawidłowy.	Wprowadź prawidłowy kod PIN lub zmień kod PIN.
Błąd silnika noży! Nacisnij przycisk „START” aby zresetować.	Tarcza tnąca jest zablokowana przez jakiś obiekt, np. gałąź.	Wyłącz zasilanie. Obróć Landroida do góry nogami i sprawdź, czy nic nie przeszkadza w obracaniu się tarczy i usuń jakiegokolwiek przeszkodę. Ustaw Landroida w prawidłowej pozycji. Włącz zasilanie. Naciśnij „Start”.
	Ostrze jest przeciążone przez grubą, gęstą trawę.	Wyłącz zasilanie. Zabierz Landroida na teren z krótką trawą lub ustaw wysokość koszenia na wyższą. Włącz zasilanie. Naciśnij „Start”.
Błąd silnika poruszania kół! Nacisnij przycisk „START” aby zresetować.	Silnik kół jest w jakiś sposób zablokowany.	Wyłącz zasilanie i przenieś Landroida do obszaru wolnego od przeszkód. Włącz zasilanie. Naciśnij „Start”. Jeśli komunikat o błędzie jest nadal wyświetlany, wyłącz zasilanie. Obróć Landroida do góry nogami i sprawdź, czy coś nie uniemożliwia obrotu kół. Usuń wszelkie przeszkody, obróć Landroida do prawidłowej pozycji i włącz zasilanie.
Do góry nogami! Nacisnij przycisk „START” aby zresetować.	Mogło się to stać, gdy Landroid wszedł w kontakt z pochyłą powierzchnią, przez co się przewrócił.	Obróć Landroida do prawidłowej pozycji i usuń wszelkie przeszkody, które mogły spowodować przewrócenie się Landroida.
Kosiarka uwieczona! Nacisnij przycisk „START” aby zresetować.	Landroid został zablokowany.	Wyłącz zasilanie. Przenieś Landroida na obszar trawnika wolny od przeszkód, a następnie włącz zasilanie. Naciśnij „Start”. Jeśli komunikat o błędzie jest nadal wyświetlany, wyłącz zasilanie, obróć Landroida do góry nogami. Sprawdź, czy coś nie uniemożliwia obrotu kół. Usuń wszelkie przeszkody, obróć Landroida do prawidłowej pozycji, następnie włącz zasilanie.
Kosiarka nie przylega do podłoża! Nacisnij przycisk „START” aby zresetować.	Landroid jest podniesiony.	Wyłącz zasilanie. Przenieś Landroida na obszar wolny od przeszkód, następnie włącz zasilanie. Naciśnij „Start”. Jeśli komunikat o błędzie jest nadal wyświetlany, wyłącz zasilanie, obróć Landroida do góry nogami, a następnie sprawdź czy występuje coś, co może spowodować podniesienie się Landroida. Usuń wszelkie możliwe przedmioty, obróć Landroida do prawidłowej pozycji, następnie włącz zasilanie.

Napiecie akumulatora za niskie Wymienakumulator.	Akumulator zużyty.	W tym przypadku należy wyłączyć Landroida i umieścić go w stacji ładowania, a następnie wyświetlone zostanie komunikat „Emergency charging” (Ładowanie awaryjne) i rozpocznie się ładowanie. Jeśli błąd akumulatora nadal się utrzymuje, akumulator jest uszkodzony i należy go wymienić.
Brak przewodu! Nacisnij przycisk „START” aby zresetować.	Maszyna nie może znaleźć sygnału przewodu granicznego.	Jeśli dioda LED świeci się na czerwono, sprawdź, czy przewód graniczny jest dobrze podłączony do zacisków na stacji ładowania. Jeśli problem się utrzymuje, sprawdź, czy przewód graniczny nie został przecięty.
Temperatura akumulatora poza zakresem! proszę czekać.	Temperatura podczas ładowania za wysoka (powyżej 55°C) lub za niska (poniżej 0°C).	Umieść podstawę do ładowania w zacienionym miejscu lub poczekaj, aż powróci normalna temperatura.
Urządzenie nie jest w stanie znaleźć bazy. Nacisnij przycisk „START” aby zresetować.	Przewód graniczny jest dłuższy niż jego maksymalna długość (350 m) lub maszyna nie ma wystarczającej mocy, aby wrócić do stacji ładowania.	Przenieś Landroida do stacji ładowania.
Kosiarka jest zablokowana!	Przy włączonej funkcji „Lock Function” (Blokowanie), jeśli Landroid nie odbiera sygnału z routera Wi-Fi przez 3 dni, to zostaje dla bezpieczeństwa zablokowany. Może to być spowodowane utratą zasilania przez router lub zmianą routera Wi-Fi lub operatora sieci.	Proszę ponownie podłączyć Landroida do sieci Wi-Fi, z którą został pierwotnie sparowany. Jeśli nie jest to możliwe, skontaktuj się z Działem Obsługi Klienta.

UWAGI

- A. Przed włączeniem zasilania należy zawsze sprawdzić, czy Landroid znajduje się w obszarze roboczym. Jeśli nie, wyświetlony zostanie komunikat „Outside working area! Press START to reset”. Komunikat ten jest również wyświetlany, gdy Landroid znajduje się częściowo, ale nie całkowicie w obszarze roboczym.
- B. Jeśli z jakiegokolwiek powodu – np. impreza, bawiące się dzieci... – chcesz zaparkować Landroida w stacji ładowania: naciśnij „Home”, a następnie OK. Landroid przejedzie do swojej podstawy i tam pozostanie. Należy pamiętać, że Landroid będzie oczekiwał na kolejną zaplanowaną sesję koszenia. Jeśli chcesz go ponownie włączyć w dowolnym momencie, naciśnij przycisk „Start”, a następnie OK, aby włączyć urządzenie.
- C. W przypadku, gdy błąd powtarza się w tym samym obszarze trawnika, mógł wystąpić problem z przewodem granicznym, dlatego zapoznaj się z instrukcją instalacji i sprawdź poprawność konfiguracji.
- D. Jeśli Twój trawnik jest podzielony na dwa wydzielone obszary, połączone korytarzem o szerokości mniejszej niż 1m, z których jeden nie jest wyposażony w stację ładowania: gdy Landroid rozładuje się, zabierz go ręcznie na podstawę ładowania.
- E. Jeśli Landroid raz na jakiś czas pracuje nienormalnie, zresetuj go poprzez jego wyłączenie i wyjęcie akumulatora na 30 sekund, a następnie ponownie go uruchom. Jeśli problemu nie można rozwiązać, skontaktuj się z Działem Obsługi Klienta, aby uzyskać pomoc.

ROZWIĄZYWANIE PROBLEMÓW



Jeśli Landroid nie działa prawidłowo, postępuj zgodnie z poniższym przewodnikiem rozwiązywania problemów. Jeśli usterka nie ustępuje, skontaktuj się z Działem Obsługi Klienta.

OBJAW	PRZYCZYNA	ROZWIĄZANIE
Dioda LED na stacji ładowania nie włącza się.	Brak zasilania.	Sprawdź, czy stacja ładowania jest prawidłowo podłączona do ładowarki, a ładowarka jest podłączona do odpowiedniego źródła zasilania.
Czerwone światło na stacji ładowania.	Przewód graniczny nie jest podłączony.	Sprawdź, czy przewód graniczny został prawidłowo podłączony do stacji ładowania. Sprawdź, czy nie ma przerw w przewodzie granicznym.
Landroid się włącza, ale tarcza tnąca nie obraca się.	Landroid szuka stacji ładowania.	Jest to normalne: gdy Landroid potrzebuje ładowania, tarcza tnąca nie obraca się podczas automatycznego szukania stacji ładowania.
Landroid wibruje.	Tarcza tnąca jest niewyważona. Ostrza mogą być uszkodzone.	Sprawdź ostrza i wymień je, jeśli są uszkodzone. Usuń zanieczyszczenia i ciała obce z ostrzy i tarczy tnącej.
Trawa jest ścinana nierównomiernie.	Landroid nie pracuje wystarczająco dużo godzin dziennie, aby ścinać trawę.	Spróbuj dodać więcej godzin do harmonogramu koszenia.
	Powierzchnia koszenia jest zbyt duża dla rozmiaru posiadanego Landroida.	Spróbuj zmniejszyć powierzchnię koszenia lub wydłużenie czasu pracy
	Ostrza są tępe.	Wymień wszystkie ostrza i śruby, aby wyważyć tarczę.
	Wysokość koszenia jest ustawiona zbyt nisko w stosunku do długości trawy.	Zwiększ wysokość cięcia, a następnie stopniowo ją obniżaj.
	Wokół tarczy tnącej owinięta została trawa lub inny przedmiot.	Sprawdź tarczę tnącą i usuń trawę lub inne przedmioty, które mogą uniemożliwiać jej obracanie.
	W ramie tarczy tnącej lub silnika znajduje się nagromadzona trawa.	Upewnij się, że tarcza tnąca swobodnie się obraca. W razie potrzeby można zdjąć tarczę tnącą, a następnie usunąć zanieczyszczenia.
Landroid znajduje się w obrębie obszaru roboczego i podłączony jest przewód brzegowy, jednak na wyświetlaczu widać komunikat „Poza obszarem roboczym”. Naciśnij START, aby zresetować	Końce przewodu granicznego są nieprawidłowo zaciśnięte.	Odwróć końce przewodu granicznego i podłącz ponownie do stacji ładowania.
Czas ładowania jest znacznie dłuższy niż znamionowy czas ładowania.	Słabe połączenie spowodowane zanieczyszczeniami na taśmie ładowania.	Wyczyść szmatką styki znajdujące się na stacji ładowania i paski ładowania znajdujące się na Landroidzie.
	Program ochrony ładowania jest aktywowany z powodu wysokiej temperatury.	Umieść stację ładowania w zacienionym miejscu lub poczekaj, aż temperatura spadnie.
Kosiarka nie ładuje się.	Brak zasilania.	Sprawdź, czy przewód zasilający jest prawidłowo podłączony do ładowarki, a ładowarka jest podłączona do odpowiedniego źródła zasilania. Upewnij się, że oba paski ładowania na kosiarce dotykają środka pasków kontaktowych na stacji ładowania.

Landroid ma coraz krótszy czas działania między ładowaniami.	Coś zapycha tarczę tnącą, powodując tarcie i zwiększając zużycie energii.	Zdejmij tarczę tnącą i ją wyczyść. Może trawa jest zbyt wysoka i zbyt gruba.
	Landroid mocno się trzęsie, ponieważ tarcza tnąca jest niewyważona.	Sprawdź tarczę tnącą i ostrza. Usuń zanieczyszczenia i ciała obce z ostrzy i tarczy tnącej. Wymień ostrza na nowy zestaw.
	Akumulator może być zużyty lub stary.	Wymień akumulator.
	Czas pracy się skończył	Wyzeruj czas pracy
Landroid nie działa o prawidłowej godzinie.	Zegar nie ma ustawionej prawidłowej godziny.	Ustaw prawidłową godzinę.
	Zaprogramowane godziny koszenia dla Landroida nie są prawidłowe.	Zmień ustawienia godziny rozpoczęcia i zakończenia pracy Landroida.
	Procent tygodniowego czasu pracy ustawiony przez APP zmienił się.	Ustaw prawidłową wartość procentową za pośrednictwem APP.
Landroid nie może prawidłowo zadokować w stacji ładowania.	Wpływy środowiska.	Uruchom ponownie Landroida.
	Słabe połączenie spowodowane zanieczyszczeniami na taśmie ładowania.	Wyczyść szmatką styki znajdujące się na stacji ładowania i paski ładowania znajdujące się na Landroidzie.
Zielone światło na stacji ładowania włącza się przed zakończeniem ładowania.	podstawa ładująca przegrzewa się lub jest przechłodzona	Umieść podstawę do ładowania w zacienionym miejscu lub poczekaj, aż powróci normalna temperatura.
Koła Landroida ślizgają się.	Obce ciała, takie jak gałęzie, mogą blokować się pod Landroidem.	Usuń ciała obce ze spodu Landroida.
	Trawnik jest zbyt mokry.	Poczekaj na wyschnięcie trawnika.
Landroid wykracza poza przewód graniczny. Landroid nie kosi powierzchni w obrębie strefy przewodu granicznego. Landroid odwraca się lub skręca nierównomiernie w pobliżu przewodu granicznego.	Przewód graniczny innej kosiarki Landroid lub kosiarki automatycznej jest umieszczony zbyt blisko.	Zapewnij co najmniej 1 m przeswitu pomiędzy Twoim przewodem granicznym a przewodem sąsiada.
	W mokrych warunkach, sygnał elektryczny przewodu granicznego może przebijać w miejscu, gdzie przewód został nieprawidłowo połączony lub naprawiony.	Sprawdź połączenia przewodu granicznego. Zaizoluj, aby zapewnić całkowicie wodoszczelne połączenie.
	Występuje przeciek sygnału elektrycznego z przewodu granicznego spowodowany pęknięciem izolacji.	Napraw uszkodzony przewód graniczny za pomocą dostarczonych łączników.
Landroid wyślizguje się poza swój obszar roboczy podczas jazdy w dół.	Mała przyczepność kół napędowych Landroida.	Należy sprawdzić, czy koła są czyste i wolne od błota, aby uzyskać maksymalną możliwą przyczepność.
System operacyjny Landroid zawiesza się podczas ładowania lub w stanie gotowości.	Błąd oprogramowania lub wyświetlacza.	Uruchom ponownie Landroida.
Landroid wyłącza się podczas dokowania w stacji ładowania.	Landroid nie ładuje się z powodu ochrony przed przegrzaniem i zostaje wyłączony.	Umieść stację ładowania w zacienionym miejscu lub poczekaj, aż temperatura spadnie.
	Słabe połączenie.	Sprawdź diodę LED na stacji ładowania. Sprawdź połączenie pomiędzy stykami znajdującymi się na stacji ładowania i paski ładowania.

Landroid zatrzymuje się na obszarze roboczym.	Na obszarze roboczym znajduje się przeszkoda.	Usuń przeszkodę z obszaru roboczego Landroida.
	Wysokość koszenia jest ustawiona zbyt nisko w stosunku do długości trawy lub trawa jest zbyt gęsta.	Zwiększ wysokość cięcia, a następnie stopniowo ją obniżaj.
	Przedłużony przewód graniczny nie powinien przekraczać 300m, ponieważ może to spowodować problem z sygnałem.	Zmniejsz długość przewodu granicznego.
	Odległość pomiędzy środkiem trawnika a przewodem granicznym nie powinna przekraczać 25 m, ponieważ może to spowodować tłumienie sygnału.	Zmniejsz odległość między środkiem trawnika i obwodem przewodu granicznego w promieniu 25 m.
Landroid przewraca się.	Na trawniku znajduje się pochylona przeszkoda.	Usuń przeszkodę z obszaru roboczego Landroida.
Landroid nie może podłączyć się do Internetu.	Sprawdź, czy Twój router ma prawidłowe ustawienia.	Upewnij się, że Twój router pracuje na częstotliwości 2,4 GHz. Jeśli router ma dwa ustawienia, włącz pasmo 2,4 GHz. Upewnij się, że router jest ustawiony na tryb 802.11, a ustawienia sieci bezprzewodowej to mieszane b/g/n. Upewnij się, że router ma włączoną funkcję nadawania SSID podczas podłączania urządzenia do aplikacji. Możesz ją wyłączyć po pomyślnym połączeniu. Upewnij się, że włączona jest funkcja DHCP. Jeśli zmieniłeś sieć Wi-Fi, musisz podłączyć Landroida do nowej sieci. Jeśli posiadasz router „Fritz!box”, upewnij się, że w ustawieniach aktywowana jest opcja „Zezwól na komunikację pomiędzy urządzeniami w tej samej sieci”.
	Sprawdź, czy router jest odłączony lub zmieniono WIFI SSID.	Upewnij się, że router jest podłączony i WIFI SSID jest prawidłowe.
Kiedy dostosujesz "Miesiąc / Godzinę / Minutę", Twój Landroid wyda sygnał dźwiękowy,	To normalne	Przeciwnie do ruchu wskazówek zegara  Dokonaj regulacji.

ZASADY OCHRONY ŚRODOWISKA

 Odpady wyrobów elektrycznych nie powinny być wyrzucane razem z odpadami gospodarstwa domowego. Należy korzystać z recyklingu, jeśli istnieje odpowiednia infrastruktura. Porady dotyczące recyklingu można uzyskać u władz lokalnych lub  sprzedawcy detalicznego.

DEKLARACJA ZGODNOŚCI

My niżej podpisani,
Positec Germany GmbH
Grüner Weg 10, 50825 Cologne, Germany

W imieniu firmy Positec zaświadczam, że produkt

Opis **Robot do koszenia trawy**

Typ **WR165E WR167E WR147E.1 WR148E (100-199 - oznaczenie maszyn zgodnych z robotem do koszenia trawy) (Numer seryjny jest umieszczony na tylnej stronie) z ładowarkę akumulatora WA3775 / WA3776 / WA3750.1 / WA3755.1 i bazą ładowania WA4002.1**

Funkcja **Koszenie trawy**

Jest zgodny z poniższymi dyrektywami,

2006/42/EC, 2014/30/EU, 2014/35/EU, 2011/65/EU&(EU)2015/863, 2000/14/EC zmieniona dyrektywą 2005/88/EC, 2014/53/EU

WR165E WR167E

2000/14/EC zmieniona dyrektywą 2005/88/EC

- Procedura oceny zgodności zgodnie z
- Zmierzony poziom mocy akustycznej
- Deklarowany gwarantowany poziom mocy akustycznej

Aneks V Dyrektywy

65.5 dB (A)

67 dB (A)

WR147E.1 WR148E

2000/14/EC zmieniona dyrektywą 2005/88/EC

- Procedura oceny zgodności zgodnie z
- Zmierzony poziom mocy akustycznej
- Deklarowany gwarantowany poziom mocy akustycznej

Aneks V Dyrektywy

61.56 dB (A)

63 dB (A)

Dane jednostki notyfikowanej

Nazwa: Intertek, Semko AB (jednostka notyfikowana 0413)

Adres: Torshamnsgatan 43164 22 Kista Sweden

Nr certyfikatu : 201002326SHA-V1

Standardy zgodne z,

**EN 60335-1:2012+A11+A13+A14+A2:2019, EN 50636-2-107:2015+A1+A2:2020,
EN 60335-2-29:2004+A2+A11:2018, EN 62233:2008, EN 55014-1:2017+A11:2020,
EN 55014-2:2015, EN IEC 61000-3-2:2019, EN 61000-3-3:2013+A1:2019, EN ISO 3744:2005,
EN 300 328 V2.2.2, EN 301 489-1 V2.2.3, EN 301 489-17 V3.2.4, EN IEC 62311:2020,
EN 61558-1:2005+A1:2009, EN 61558-2-16:2009+A1:2013,
EN 55011:2016+A11:2020,
EN 303 447 V1.1.1
EN 55032:2015+A11:2020, EN 55035:2017+A11:2020**

Osoba upoważniona do sporządzenia dokumentacji technicznej,

Imię i nazwisko Marcel Filz

Adres Positec Germany GmbH, Grüner Weg 10, 50825 Cologne, Germany



202012/02

Allen Ding

Zastępca głównego inżyniera, testowanie i certyfikacja

Positec Technology (China) Co., Ltd

18, Dongwang Road, Suzhou Industrial

Park, Jiangsu 215123, P. R. China

BEZPEČNOST VÝROBKU ZÁKLADNÍ A DOPLŇKOVÉ BEZPEČNOSTNÍ POKYNY

⚠ VAROVÁNÍ: Přečtěte si všechny bezpečnostní pokyny a instrukce. Nedodržení bezpečnostních varování a pokynů může vést k úrazu elektrickým proudem, k vzniku požáru nebo k vážnému úrazu.

Pečlivě si přečtěte všechny pokyny týkající bezpečného použití tohoto zařízení. Všechna varování a bezpečnostní pokyny uschovejte pro budoucí použití.

- Toto zařízení není určeno k použití osobami (včetně dětí) se sníženými fyzickými, smyslovými nebo duševními schopnostmi, s nedostatkem zkušeností a znalostí, pokud těmto osobám nebyl stanoven dohled, nebo pokud jim nebyly poskytnuty instrukce týkající se použití tohoto zařízení osobou odpovědnou za jejich bezpečnost.

- Děti musí být pod dozorem, aby bylo zajištěno, že si s tímto zařízením nebudou hrát.

- Baterie v tomto zařízení může být vyměněna pouze kvalifikovaným personálem.

VAROVÁNÍ: K nabíjení baterie používejte pouze vyjímatelný napájecí zdroj dodávaný se zařízením.

UPOZORNĚNÍ: Pro snížení rizika zranění osob a poškození zařízení, neodstraňujte baterii před vypnutím přístroje

DŮLEŽITÉ PŘED POUŽITÍM POZORNĚ PŘEČTĚTE ULOŽTE PRO BUDOUCÍ POUŽITÍ

Postupy týkající se bezpečného použití Zaškolení

- Pečlivě si prostudujte všechny pokyny. Ujistěte se, zda jste zcela pochopili uvedené pokyny a seznámte se s ovládacími prvky a se správným použitím tohoto zařízení.
- Nikdy nedovolte, aby toto zařízení používaly osoby, které nejsou seznámeny s těmito pokyny. Místní předpisy mohou omezovat věk uživatele.
- Za nehody nebo rizika hrozcící ostatním osobám nebo jejich majetku odpovídá obsluha nebo uživatel.

Příprava

- Zajistěte správnou instalaci vymezení drátu podle uvedených pokynů.
- Provádějte pravidelnou kontrolu prostoru, kde bude toto zařízení použito a odstraňte všechny kameny, klacíky, dráty, kosti a další cizí předměty.
- Provádějte pravidelnou vizuální kontrolu, zda nedošlo k opotřebování nebo poškození nožů, montážních šroubů nožů a celého sekacího ústrojí. Opotřebované nebo poškozené nože a šrouby vyměňujte vždy jako sady, abyste uchovali správné vyvážení.
- U zařízení, která jsou vybavena více vřeteny, dávejte pozor, protože otáčení jednoho vřetena může způsobit otáčení dalších vřeten.
- VAROVÁNÍ!** Tato sekačka nebude pracovat, nebude-li na svém místě její kryt.

Použití

1. Základní pokyny

- Nikdy nepracujte s tímto zařízením, jsou-li poškozeny jeho ochranné kryty nebo nejsou-li na určených místech bezpečnostními prvky, například odchylovače.
- Nevkládejte ruce nebo chodidla do blízkosti nebo pod rotující díly. Stále udržujte průchozí výstupní otvor sekačky průchozí.
- Nikdy toto zařízení nezvedejte nebo nepřenášejte, je-li jeho motor v chodu.
- Blokovací zařízení spustte přímo ze zařízení:
 - Před odstraněním zablokování;
 - Před kontrolou, čištěním nebo prováděním prací na sekačce.

- e) Provádění úprav originální konstrukce této robotické sekačky není povoleno. Všechny úpravy jsou prováděny na vaše vlastní riziko.
- f) Spouštějte robotickou sekačku podle uvedených pokynů. Před stisknutím tlačítka zapnuto/vypnuto, zajistěte, aby se vaše ruce a nohy nenacházely v blízkosti rotujících nožů. Nikdy nevkládejte vaše ruce a nohy pod sekačku.
- g) Nikdy tuto robotickou sekačku nezvedejte a nepřenášejte, je-li stisknuto tlačítko zapnuto/vypnuto.
- h) Nedovolte, aby tuto robotickou sekačku používaly osoby, které neví, jak pracuje a jak reaguje.
- i) Nikdy nepokládejte na horní část sekačky nebo nabíjecí základny žádné předměty.
- j) Nepovolte používání robotické sekačky, došlo-li k jejímu poškození nebo k poškození nožového kotouče. Sekačka nesmí být také použita s poškozenými noži, šrouby, maticemi nebo napájecím kabelem.
- k) Nemáte-li v úmyslu tuto sekačku používat, vždy ji vypněte. Robotická sekačka může být spuštěna pouze v případě, je-li stisknuto tlačítko zapnuto/vypnuto a je-li zadán správná PIN kód.
- l) Ruce a chodidla držte v bezpečné vzdálenosti od rotujících čepelí. Nikdy nedávejte ruce ani chodidla do blízkosti sekačky nebo pod ni, pokud je robotická sekačka v provozu.
- m) Nepoužívejte stroj a jeho periferní zařízení za nepříznivých povětrnostních podmínek, zejména pokud hrozí nebezpečí blesku.
- n) Nedotýkejte se pohyblivých nebezpečných částí dřívě, než se zcela zastaví.
- o) Pro stroje používané ve veřejných prostorách musí být výstražné značky umístěny v okolí pracovního prostoru stroje. Měly by obsahovat následující text:
Upozornění! Automatická sekačka na trávu! Udržujte bezpečnou vzdálenost od stroje! Dohlížejte na děti!

2. Pracuje-li tato sekačka v automatickém režimu

- a) Jsou-li v blízkosti domácí zvířata, děti nebo jiné osoby, nikdy nenechávejte tuto sekačku bez dozoru.

Údržba a uložení

VAROVÁNÍ! Je-li sekačka otočena spodní stranou nahoru, tlačítko zapnuto/vypnuto musí být vždy vypnuto.

Tlačítko zapnuto/vypnuto musí být vždy vypnuto, jsou-li prováděny jakékoli práce na spodní části sekačky, jako je čištění nebo výměna nožů.

- a) Udržujte všechny matice, šrouby a spojovací prvky řádně dotaženy, aby bylo zařízení v bezpečném provozním stavu.
- b) Provádějte kontrolu této robotické sekačky každý týden a vyměňte opotřebované nebo poškozené části související s bezpečností.
- c) Provádějte zejména kontrolu, zda nejsou poškozeny nože a nožový kotouč. Je-li to nutné, vždy vyměňujte všechny nože a šrouby současně jako jednu sadu, aby bylo zajištěno vyvážení rotujících dílů.
- d) Zajistěte, aby byly používány pouze náhradní díly správného typu.
- e) Zajistěte, aby byly baterie sekačky nabíjeny pomocí správné nabíječky doporučené výrobcem. Nesprávné použití může vést k úrazu elektrickým proudem, přehřátí baterie nebo k úniku žíravé kapaliny z baterie.
- f) Dojde-li k úniku elektrolytu z baterie, opláchněte si ruce vodou/neutralizačním prostředkem. Dojde-li ke kontaktu s pokožkou nebo k zasažení očí, vyhledejte lékařské ošetření.
- g) Údržba sekačky musí být prováděna podle pokynů výrobce.

Doporučení

Stroj a jeho periferie připojujte pouze k napájecímu obvodu s ochranným zařízením před zbytkovým proudem (RCD) s vypínacím proudem nepřesahujícím 30 mA.

Ostatní rizika

Abyste se vyhnuli zranění, při výměně nožů používejte ochranné rukavice.

Přeprava

Při přepravě této robotické sekačky na dlouhé vzdálenosti vždy používejte její originální obal.

Zajištění bezpečného sekání nebo sekání uvnitř pracovního prostoru:

a) Stiskněte tlačítko STOP, aby došlo k zastavení sekačky.

Při prvním spouštění této sekačky zadejte čtyřmístný číselný PIN kód.

b) Vždy tuto robotickou sekačku zastavte, máte-li v úmyslu ji přenášet.

c) Přenášejte tuto sekačku za rukojeť nacházející se na přední části sekačky. Přenášejte tuto sekačku tak, aby byl nožový kotouč otočen směrem od vašeho těla.

Vystavení VF energii

Aby byly splněny požadavky na vystavení VF energii, měla by být během provozu zařízení mezi tímto zařízením a osobami zachována vzdálenost 200 mm nebo více.

K zajištění souladu s předpisy nedoporučujeme činnosti blíže než na tuto vzdálenost. Anténa použitá pro tento vysílač nesmí být umístěna ve spojení s žádnou jinou anténou nebo vysílačem.

Bezpečnostní varování týkající se baterií

a) **Nepokoušejte se demontovat, rozebírat nebo rozřezávat baterie nebo její články.**

b) **Neprovádějte zkratování baterie. Neukládejte baterie nahodile v krabicích nebo v zásuvkách, kde by mohlo dojít k jejich vzájemnému zkratování nebo k zkratování způsobenému jinými předměty.** *Není-li baterie používána, udržujte ji v bezpečné vzdálenosti od sponek na papíry, mincí, klíčů, hřebíků, šroubů nebo jiných malých kovových předmětů, které mohou způsobit propojení kontaktů baterie. Zkratování kontaktů baterie může způsobit popáleniny nebo požár.*

c) **Nevystavujte baterii působení horka nebo ohně. Vyvarujte se skladování baterií na otevřeném slunci.**

d) **Nevystavujte baterii mechanickým rázům.**

e) **Dojde-li k úniku kapaliny z baterie, zabraňte tomu, aby se tato kapalina dostala do kontaktu s pokožkou nebo aby zasáhla oči. Dojde-li k takovému kontaktu, zasažené místo omyjte značným množstvím vody a vyhledejte lékařské ošetření.**

f) **Dojde-li k požití kapaliny z baterie, vyhledejte okamžitě lékařské ošetření.**

g) **Udržujte baterie čisté a suché.**

h) **Jsou-li svorky baterie znečištěny, otřete je čistým a suchým hadříkem.**

i) **Baterie musí být před použitím nabita. Vždy postupujte podle uvedených pokynů a používejte správný postup nabíjení.**

j) **Nenechávejte baterii nabíjet, nebude-li baterie použita.**

k) **Po dlouhodobém uložení budete možná muset provést několik cyklů nabíjení a vybíjení, aby baterie dosáhla svého maximálního výkonu.**

l) **Provádějte nabíjení pouze v nabíječce, která je specifikovaná společností Worx.**

Nepoužívejte jinou nabíječku, než je nabíječka speciálně dodaná pro použití s tímto zařízením.

m) **Nepoužívejte žádnou baterii, která není určena pro použití s tímto zařízením.**

n) **Ukládejte baterie mimo dosah dětí.**

o) **Uchovávejte originální dokumentaci k tomuto výrobku pro budoucí odkazy.**

p) **Není-li zařízení používáno, vyjměte z něj baterii.**

q) **Provádějte řádnou likvidaci baterie.**

r) **V zařízení nekombinujte bateriové články různého data výroby, kapacity, velikosti nebo typu.**

s) **Nevyjímejte baterii z originálního obalu dříve, než bude použita.**

t) **Dodržujte polaritu vložených baterií plus (+) a mínus (-) a zajistěte používání baterií správným způsobem.**

INFORMACE NA ŠTÍTCÍCH NA SEKAČCE LANDROID



VAROVÁNÍ – Není-li tato robotická sekačka používána správně, může být nebezpečná. Před použitím této robotické sekačky si pečlivě přečtěte návod k obsluze a řádně si nastudujte jeho obsah.



VAROVÁNÍ - Je-li tato sekačka v provozu, udržujte od ní bezpečnou vzdálenost.



VAROVÁNÍ – Před prací na této sekačce nebo před jejím zvednutím použijte blokovací zařízení.



VAROVÁNÍ – Nejezděte na této sekačce.



Li-Ion



Akumulátor Li-Ion. Tento výrobek byl označen symbolem „tříděný odpad“ pro všechny jednotlivé a složené akumulátory. Proto musí být s ohledem dopadu na životní prostředí po dosloužení recyklován nebo demontován. Akumulátory obsahují nebezpečné látky, proto mohou být nebezpečné pro životní prostředí a lidské zdraví.



Nevystavujte působení ohně



Pokud se s ním nezachází správně, může se baterie dostat do koloběhu vody, což může způsobit poškození ekosystému. Použité baterie nevyhazujte do netříděného komunálního odpadu.



Stroj nerozebírejte bez oprávnění



Nepotřebné elektrické přístroje by neměly být vyhazovány společně s odpadem z domácnosti. Náradí recyklujte ve sbírnách zřízených k tomuto účelu. O možnostech recyklace se informujte na místních úřadech nebo u prodejce.



Elektrický spotřebič třídy III



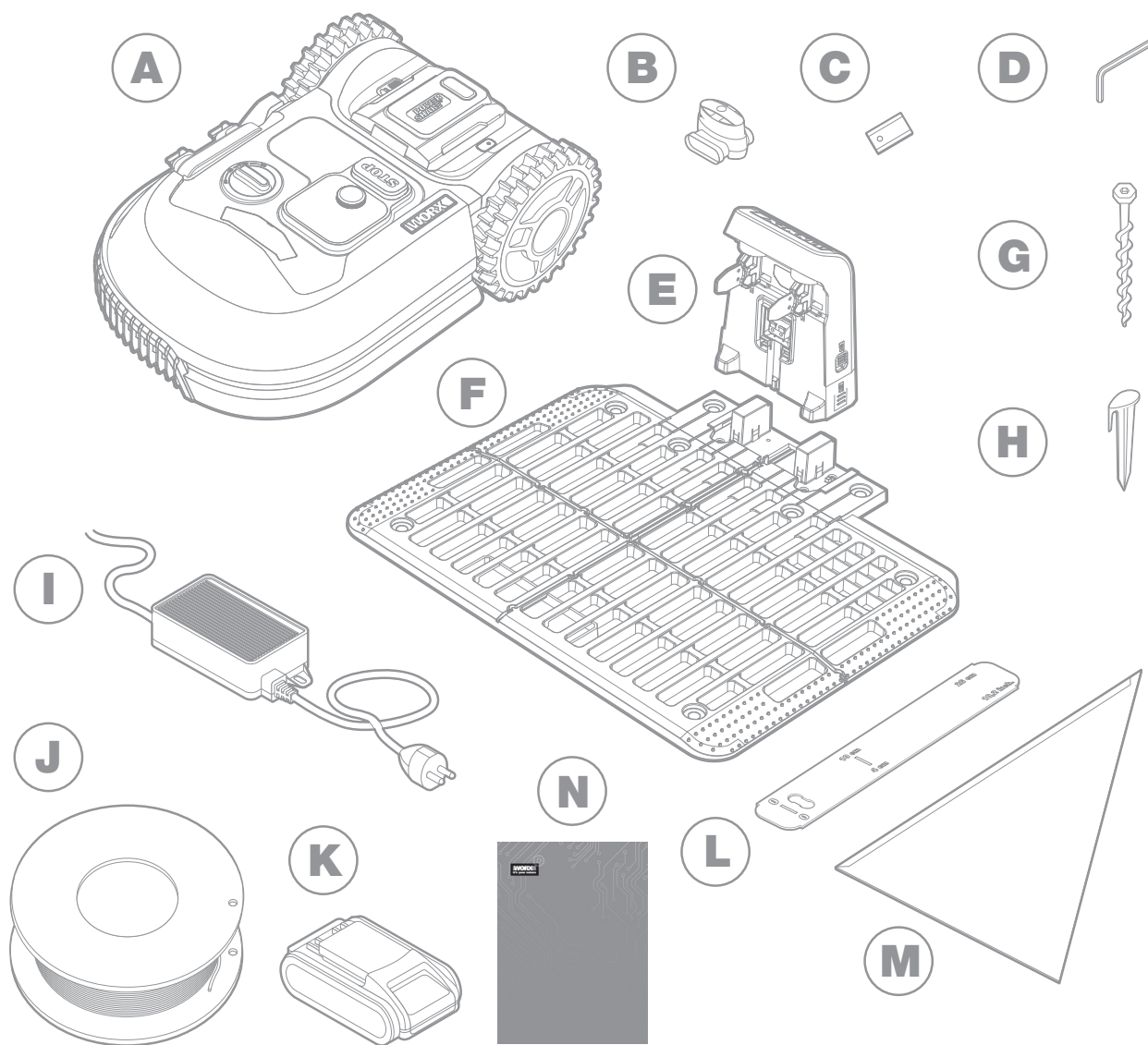
Přečtěte si provozní příručku



Odnímatelná napájecí jednotka

Vaše zařízení Landroid lze použít s jiným funkčním příslušenstvím Worx. Navštivte www.worxlandroid.com, chcete-li se dozvědět více o dostupných možnostech příslušenství.

SEZNAM DÍLŮ OBSAH BALENÍ



Obrázek je pouze informativní

A Worx Landroid

B Konektory na opravu kabelu

C Sady náhradních čepelí

D Šestihranný

E Nabíjecí hromada

F Nabíjecí stanice

G Šroubů

H Drátěné kolíčky

I Napájecí adaptér

J Okrajový drát

K Akumulátor 20 v

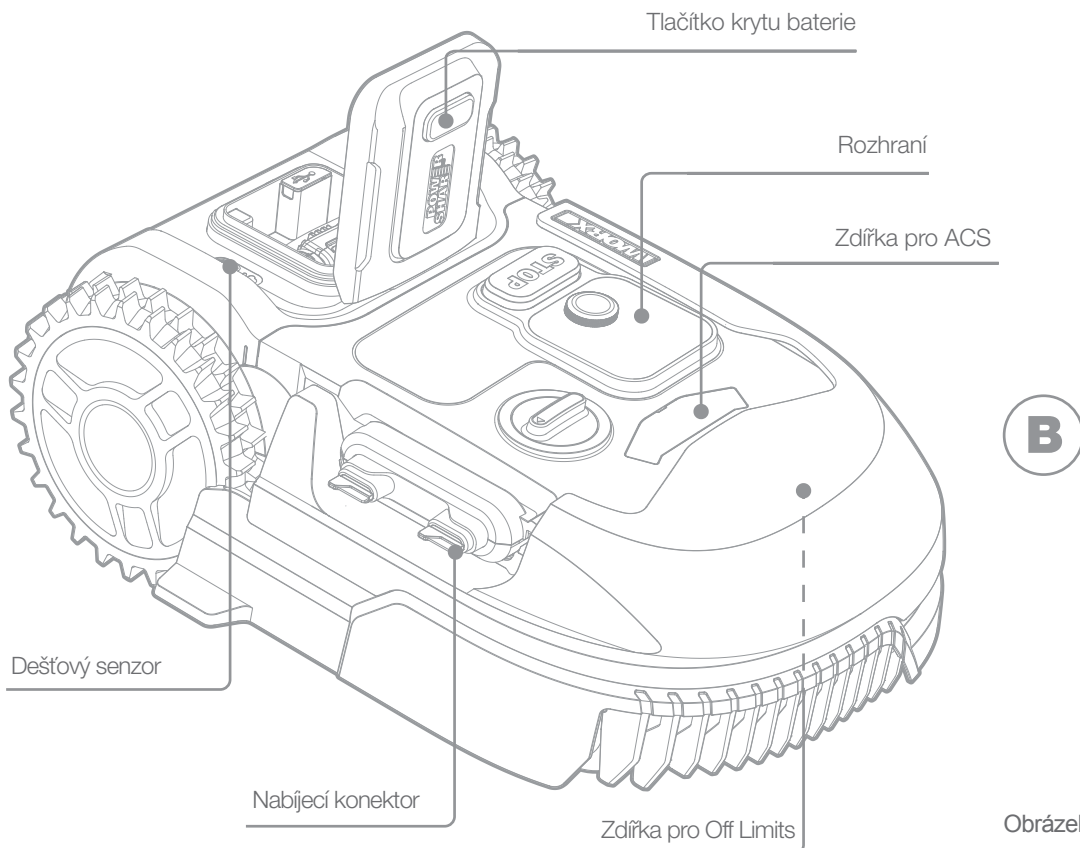
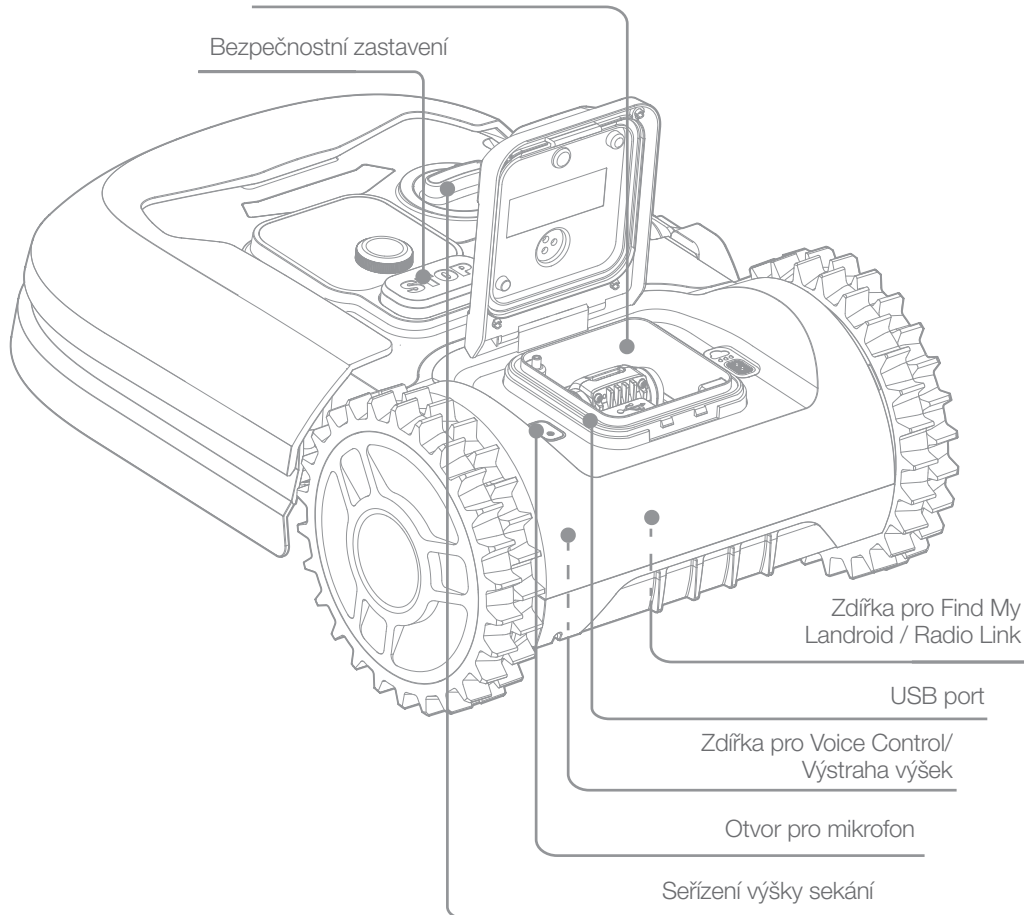
L Distanční měrky pro okrajový drát

M Bertelsenovo pravítko

N Manuální

POZNÁVÁME SEKAČKU LANDROID Zdířka pro akumulátor

A



B

Obrázek je pouze informativní


TECHNICKÉ ÚDAJE

Type **WR165E WR167E WR148E WR147E.1 (100-199 - označení strojního zařízení, zástupce robotická sekačka)**

	WR165E	WR167E	WR148E	WR147E.1
Jmenovité napájecí napětí	20 V Max.*			
Otáčky naprázdno (/min)	2800		2400	
Oblast sečení (m ²)	500	700	800	1000
Šířka záběru (cm)	18		20	
Výška sekání (mm)	30-60			
Polohy pro nastavení výšky sekání	4			
Typ baterie	Lithium-ion			
Model baterie	WA3551.3	WA3553.3	WA3551.3	WA3553.3
Doba nabíjení asi (mins)	75	150	75	75
Model nabíječky	WA3750.1/ WA3755.1			WA3775 / WA3776
Parametry nabíječky	Vstup:100-240 V~50/60 Hz, 38 W, Výstup: 20V , 1.5 A			Vstup:100-240 V~50/60 Hz, 90 W, Výstup: 20 V , 3.0 A
Hmotnost (kg)	9.5	9.8	11.7	12
Stupeň ochrany	III			
App(Wi-Fi/Bluetooth)	Y			
Frekvenční pásmo integrovaného modulu WLAN	2.412GHz-2.484GHz			
Max. vysokofrekvenční výkon vestavěného modulu WLAN	802.11b:+16±2dBm(@11Mbps) 802.11g:+14±2dBm(@54Mbps) 802.11n:+13±2dBm(@HT20,MCS7)			
Frekvenční pásmo systému indukční smyčky	77 Hz			
Maximální výkon systému indukční smyčky	82 dBµA/m			

* Napětí měřené bez pracovního zatížení. Výchozí napájecí napětí baterie dosahuje maximálně 20V. Jmenovité napájecí napětí je 18V.

ÚDAJE TÝKAJÍCÍ SE ÚROVNĚ HLUKU

	WR165E	WR167E	WR148E	WR147E.1
Měřená hodnota akustického tlaku	$L_{pA} = 45.5 \text{ dB(A)}$		$L_{pA} = 40.68 \text{ dB(A)}$	
	$K_{pA} = 0.6 \text{ dB(A)}$		$K_{pA} = 1.36 \text{ dB(A)}$	
Měřená hodnota akustického výkonu	$L_{wA} = 65.5 \text{ dB(A)}$		$L_{wA} = 61.56 \text{ dB(A)}$	
	$K_{wA} = 0.6 \text{ dB(A)}$		$K_{wA} = 1.36 \text{ dB(A)}$	
Používejte ochranu sluchu, přesáhne-li hodnota akustického tlaku úroveň 80 dB (A). 				

Určité hlučnosti stroje nelze zabránit. Provádění hlučné práce na dané trase musí být s omezením na určitou dobu schváleno. Dodržujte doby odpočinku a nutné omezení pracovní doby na minimum. S ohledem na osobní ochranu a ochranu osob pracujících v blízkosti by měla být u všech používána vhodná ochrana sluchu.

PŘÍSLUŠENSTVÍ

	WR165E	WR167E	WR148E	WR147E.1
Šroubů	9	9	9	9
Nabíjecí základna	1	1	1	1
Upevňovací kolíky pro nabíjecí základnu	8	8	8	8
Vymezovacího drátu	130m	150m	150m	180m
Kolíků pro vymezovací drát	180	210	210	250
Šestihranný	1	1	1	1
Ukazatele vzdálenosti vymezovacího drátu	2	2	2	2
Nožů	9	9	9	9
Spojovací konektor	2	2	2	2
Akumulátor (WA3551.3)	1	/	1	/
Akumulátor (WA3553.3)	/	1	/	1
Nabíječka baterií((WA3750.1/ WA3755.1)	1	1	1	/
Nabíječka baterií((WA3775 / WA3776)	/	/	/	1

Doporučujeme vám, abyste si příslušenství zakoupili ve stejné prodejně, ve které jste pořídili i vaše nářadí. Podrobné informace najdete na obalu příslušenství. Případně se obraťte na vašeho prodejce se žádostí o radu a pomoc.

URČENÉ POUŽITÍ

Tento výrobek je určen pro sečení trávníků na soukromých pozemcích. Je navržen pro časté sečení, kdy bude trávník udržován zdravější a vypadající lépe, než kdykoliv dříve. V závislosti na rozloze vašeho trávniku může být Landroid naprogramován tak, aby četnost a doba provozu nebyla ničím omezena. Zařízení není určeno pro kopání, zametání nebo čištění sněhu.

ÚDRŽBA

Vaše sekačka tvrdě pracuje, a tak je třeba ji čas od času vyčistit a zkontrolovat. Tato část příručky vám pomůže udržet sekačku Landroid v dobrém stavu, tak aby vydržela mnoho let bez problémů. Zde je návod, jak o sekačku Landroid pečovat Před prováděním jakékoli údržby nebo servisu proveďte vypnutí tohoto zařízení.

UDRŽUJTE JI OSTROU

Sekačka Landroid neseká trávu stejným způsobem jako jiné sekačky. Její čepele jsou ostré jako břitva, mají 2 hrany a otáčí se oběma směry, aby dosáhly maximálního řezacího výkonu.

A. Disk čepelí se otáčí po směru i proti směru hodinových ručiček, náhodně, tak aby byly využity obě řezné hrany a minimalizována nutnost výměny čepelí

B. Je-li naprogramováno každodenní sekání, každá čepel vydrží zhruba 2 měsíce

C. Vždy zkontrolujte, zda nejsou čepele poškozené, a případně je vyměňte

D. Když jsou čepele tupé a opotřebované, je nutné je vyměnit za nové čepele dodané společně s vaší sekačkou Landroid. Další náhradní čepele je možné zakoupit u vašeho prodejce značky Landroid

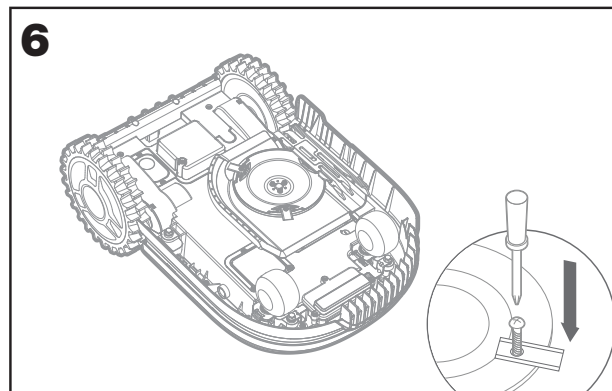
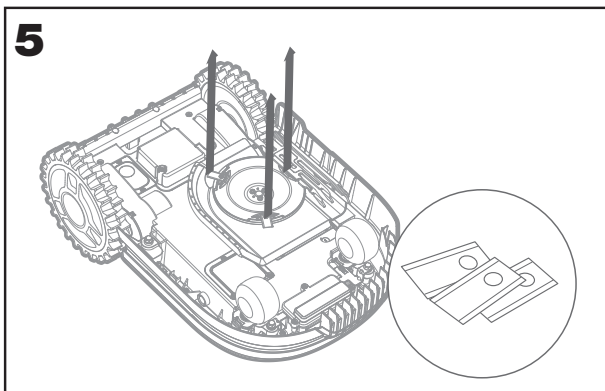
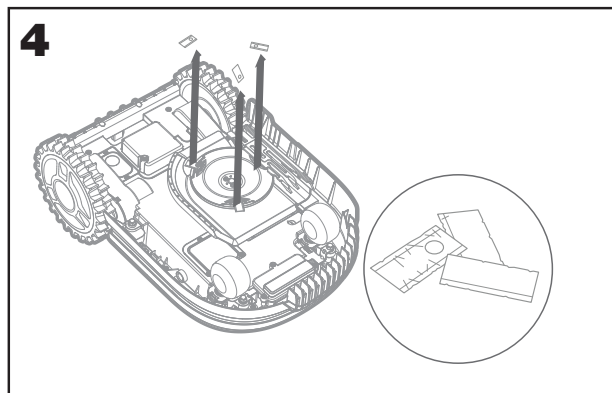
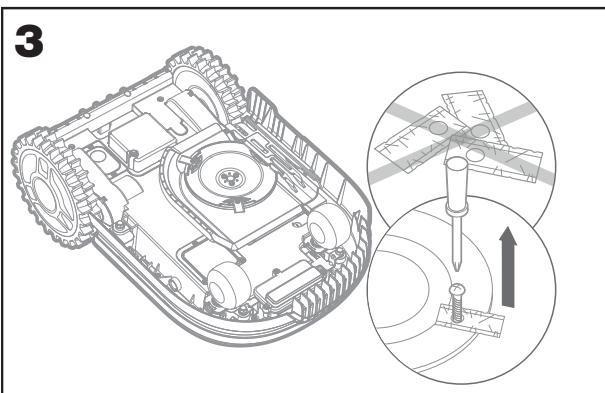
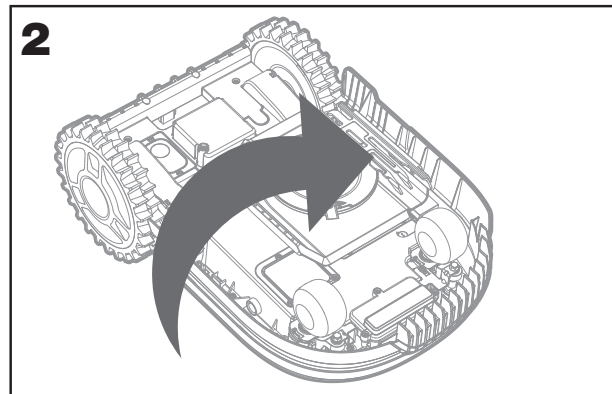
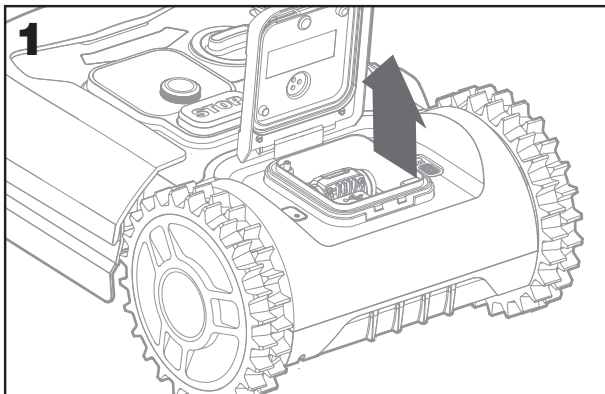
⚠VAROVÁNÍ! Před každým čištěním, seřizováním nebo výměnou čepelí je nutné sekačku Landroid VYPNOUT a vyjmout akumulátor. Vždy použijte ochranné rukavice.

1. VÝMĚNA ČEPELÍ

Vyjměte akumulátor (obr. 1) a jemně otočte sekačku Landroid spodní částí nahoru (obr. 2)

Odstraňte šrouby z čepelí pomocí šroubováku (obr. 3–4)

Pevně našroubujte nové čepele (obr. 5–6)



⚠️ Pozor: Při montáži nových čepelí je nutné vyměnit VŠECHNY čepel.

Při montáži vždy používejte nové šrouby. To je nutné k zajištění pevnosti přichycení čepelí a vyvážení disku čepelí. Pokud tak neuděláte, může dojít k vážnému zranění

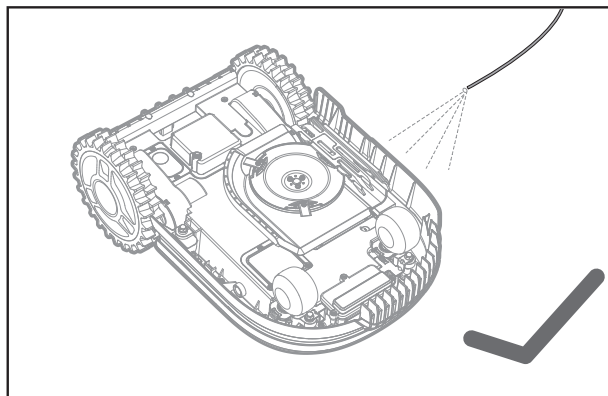
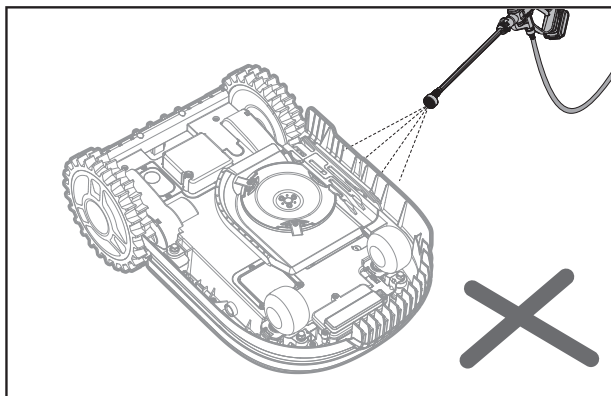
Důležité: Jakmile přišroubujete čepel k disku čepelí, ujistěte se, že se může čepel volně otáčet

UDRŽUJTE JI ČISTOU

Sekačku Landroid je nutné pravidelně čistit. To pomáhá udržet ji v dobrém stavu, zejména když je třeba odstranit zeminu nebo zbytky trávy po každodenním sekání. Před čištěním sekačku Landroid vypněte. Pro větší bezpečnost je nutné vyjmout akumulátor.

⚠️ Poznámka: Při čištění Landroid se ujistěte, že je kryt baterie uzavřený.

⚠️ VAROVÁNÍ! VAŠE Landroid lze čistit pouze hadicí! NEPOUŽÍVEJTE tlakovou myčku na Landroid. Vysokotlaká voda může proniknout dovnitř těsnění a poškodit elektronické a mechanické součásti.



1. Čištění horní části těla sekačky

- A. Čistěte pomocí ručního spreje s vodou. Nepoužívejte rozpouštědla nebo leštidla
- B. K odstranění nečistot použijte kartáček nebo čistý hadřík

2. Čištění spodní části

- A. Otočte sekačku Landroid spodní částí nahoru
- B. Odstraňte nečistoty a trávu pomocí kartáčku
- C. Dávejte pozor, abyste se nedotkli čepelí rukama. Použijte ochranné rukavice
- D. Pořádně očistěte disk čepelí, šasi a přední kolečka pomocí měkkého kartáče nebo vlhkého hadru
- E. Otočte disk čepelí tak, aby se mohl volně otáčet. Odstraňte případné blokující předměty. Odstraňte zachycené nečistoty, tak aby nezpůsobily zlomení disku čepelí. I ta nejmenší prasklina má negativní dopad na výkon
- F. Zkontrolujte, zda se čepel kolem šroubů otáčejí volně. Odstraňte případné blokující předměty

3. Čištění pojezdových koleček

- A. Pomocí kartáče odstraňte z koleček bahno, tak aby měla kolečka dobrý záběr

4. Čištění nabíjecích kontaktů

- A. Pomocí hadříku očistěte kontaktní kolíky na nabíjecí stanici a nabíjecí proužky na sekačce Landroid
- B. Pravidelně odstraňujte nánosy trávy nebo nečistot kolem kontaktních kolíků a proužků, tak aby se sekačka Landroid vždy mohla nabíjet

UDRŽUJTE JI NABITOU

Srdcem sekačky Landroid je její 20V li-ion akumulátor Worx Powershare.

- A. Vhodné skladování akumulátoru probíhá při plném nabití, na suchém místě,
- B. Doporučená provozní teplota je v rozmezí 0–55 °C
- C. Životnost akumulátoru závisí na provozní době a délce použití každý den během sezóny

1. Sekačku Landroid lze nabíjet ručně, bez okrajového drátu

- A. Připojte nabíjecí stanici k vhodné elektrické zásuvce. Na nabíjecí stanici se rozsvítí zelené světlo
- B. Ručně zaparkujte vypnutou sekačku Landroid na nabíjecí stanici
- C. Zelené světlo na nabíjecí stanici začne blikat a sekačka Landroid se začne nabíjet

SKLADUJTE JI V ZIMĚ NA VHODNÉM MÍSTĚ

Přestože je sekačka Landroid navržena a vyrobena tak, aby přežila i nejhorší počasí, doporučujeme ji během zimy skladovat v garáži či kůlně. Příprava sekačky na zimní spánek:

- A. Pořádně ji očistěte

- B. Nabijte naplno akumulátor
- C. Vypněte ji

1. Obnovení provozu na jaře

Když je čas opět sekat trávu, proveďte následující kontrolu sekačky Landroid:

- A. Aktualizujte nastavení času a data skrze aplikaci
- B. Jestliže si všimnete nějakých známek oxidace na nabíjecích kontaktech sekačky nebo nabíjecí stanice, očistěte je jemným hadříkem
- C. Před spuštěním sekačky Landroid plně nabijte

UDRŽUJTE JI AKTUALIZOVANOU

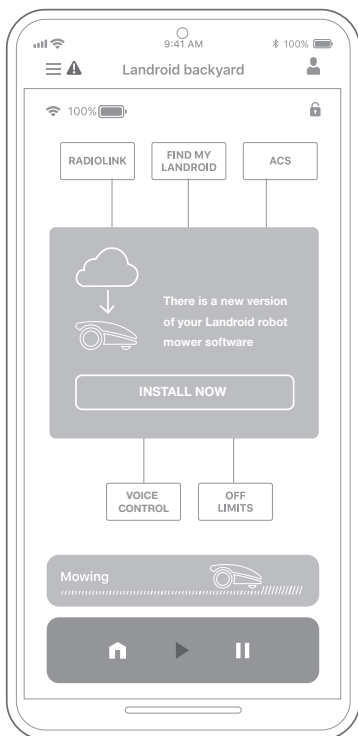
Společnost Landroid neustále zlepšuje software, který je vždy v nové verzi dostupný zdarma. Pravidelně aktualizujte software, tak abyste mohli sekačku využívat naplno.

1. Aktualizace přes bezdrátovou síť

Jestliže je vaše sekačka Landroid připojena k síti Wi-Fi, bude vám dostupnost nové verze softwaru oznámena prostřednictvím aplikace. Jakmile potvrdíte, aktualizace bude provedena přes bezdrátovou síť.

2. Zkontrolujte, jakou verzi softwaru máte nainstalovánu.

Číslo verze softwaru je viditelné při zapnutí sekačky Landroid



3. Ruční aktualizace

- A. Není-li vaše sekačka Landroid připojena k síti Wi-Fi, stále je možné ji aktualizovat na nejnovější software pomocí USB flash disku
- B. Pravidelně navštěvujte webové stránky Worx Landroid, zda není k dispozici nová verze. Jestliže jste se přihlásili k odběru novinek od společnosti Landroid, bude vám dostupnost nové verze oznámena takto
- C. Stáhněte nejnovější verzi softwaru z našich webových stránek
- D. Použijte prázdný USB flash disk formátovaný na systém FAT32
- E. Uložte soubor zip a rozbalte ho na USB flash disk
- F. Položte sekačku Landroid na pevný a rovný povrch
- G. Sekačku Landroid vypněte
- H. Přejděte k její zadní části, kde je USB port.
- I. Vložte USB flash disk do portu
- J. Položte sekačku Landroid zpět na trávník do pracovního prostoru ohraničeného okrajovým drátem
- K. Zapněte sekačku
- L. Vyjměte paměťovou kartu USB, když "Vyjměte klíč USB", aniž byste zvedli Landroid.

M. Aktualizace se automaticky spustí a může chvíli trvat. Sekačka Landroid se automaticky restartuje, jakmile je aktualizace dokončena

POZNÁMKA: Před restartem se ujistěte, že je sekačka Landroid uvnitř prostoru vyznačeného okrajovým drátem.

PROVOZNÍ ZPRÁVY

ZPRÁVA LANDROID AKCE	ZPRÁVA LANDROID AKCE
Sekání trávy	Sekání trávy podle plánu sečení.
Prší	Dešťový senzor detekuje vodu. Landroid se vrátí na nabíjecí stanici a zůstane v této poloze, dokud nebude naprogramován. Po vysušení spustí Landroid automaticky odpočítávání zpoždění deště a poté se vrátí do stavu sečení. Pokud chcete Landroid před tím sekat, jednoduše jej vypněte a znovu zapněte, ale pouze když je dešťový senzor suchý, nebo můžete zpoždění deště zcela eliminovat nastavením doby zpoždění deště na nulu.
Vrať se domů	Je třeba nabít - žací nůž se zastaví na cestě k základně
Nabíjení	Zobrazit „Nabíjení“ a procento nabití.
Žádná pracovní doba	Pohotovostní režim, je třeba programovat podle potřeby.
Dnes nefunguje	Pohotovostní režim se spustí podle plánu sečení.
Práce dnes dokončena	
Hledání oblasti	Podle nastavení „Vlastní pracovní prostor“ Landroid hledá
Dokončeno nabíjení	Landroid dokončil nabíjení.
Nouzové nabíjení	Nouzové nabíjení Landroid se nabíjí ve vypnutém stavu.

CHYBOVÉ ZPRÁVY

Někdy se může něco pokazit. Naštěstí je sekačka Landroid dostatečně chytrá a řekne vám, jaký problém se vyskytl a jak ho vyřešit. Nevíte-li si rady, navštivte naše webové stránky, kde naleznete užitečná videa a další podporu.

ZPRÁVA	PŘÍČINA	ČINNOST
	Kryt akumulátoru není uzavřen	Zavřete kryt akumulátoru
Outside working area! Press START to reset.	Sekačka Landroid nemůže najít signál okrajového drátu.	1. Je-li sekačka Landroid mimo svou pracovní oblast: vypněte ji, přeneste ji do pracovní oblasti, zapněte ji a stiskněte start. 2. Je-li sekačka ve své pracovní oblasti, zkontrolujte, zda zeleně a nepřerušovaně svítí kontrolka LED. Svítíli červeně, zkontrolujte, zda je okrajový drát řádně připojen k nabíjecí stanici a zda je stanice připojena do vhodné elektrické zásuvky. Jestliže jsou řádně připojeny, jsou koncovky okrajového drátu špatně zapojeny a je nutné je prohodit.
WRONG PIN! Please retry.	Kód PIN je nesprávný.	Zadejte správný kód PIN nebo ho opětovně nastavte.
Blade motor fault! Press START to reset.	Disk čepelí je blokován předmětem, např. větví.	Vypněte sekačku. Otočte sekačku Landroid spodní částí nahoru a zkontrolujte, zda něco nebrání disku čepelí v otáčení. Případný blokující předmět odstraňte. Otočte sekačku zpět do výchozí polohy. Zapněte sekačku. Stiskněte start.
	Čepel je přetížena příliš hustou trávou.	Vypněte sekačku. Přeneste sekačku Landroid do oblasti s kratší trávou nebo upravte výšku sekání na vyšší. Zapněte sekačku. Stiskněte start.
Wheels motor fault! Press START to reset.	Hnací motor je zablokován.	Vypněte sekačku a přeneste ji do oblasti, kde nejsou žádné překážky. Zapněte sekačku. Stiskněte start. Jestliže se chybová zpráva stále zobrazuje, vypněte sekačku. Otočte sekačku Landroid spodní částí nahoru a zkontrolujte, zda něco nebrání kolečkům v otáčení. Případný blokující předmět odstraňte. Otočte sekačku do výchozí polohy a zapněte ji.
Upside down! Press START to reset.	K tomu mohlo dojít, když přišla sekačka Landroid do kontaktu s nějakým nerovným povrchem, který ji převrátil.	Otočte sekačku Landroid do výchozí polohy a odstraňte překážku, která převržení způsobila.
Mower trapped! Press START to reset.	Sekačka Landroid je zachycena.	Vypněte sekačku. Přeneste sekačku Landroid do oblasti bez překážek, a poté ji zapněte. Stiskněte start. Jestliže se chybová zpráva stále zobrazuje, vypněte sekačku a otočte ji spodní částí nahoru. Zkontrolujte, zda něco nebrání kolečkům v otáčení. Případný blokující předmět odstraňte. Otočte sekačku do výchozí polohy a zapněte ji.
Mower lifted! Press START to reset.	Sekačka byla zdvižena.	Vypněte sekačku. Přeneste sekačku Landroid do oblasti bez překážek a zapněte ji. Stiskněte start. Jestliže se chybová zpráva stále zobrazuje, vypněte sekačku a otočte ji spodní částí nahoru. Poté zkontrolujte, zda ji něco nezvedá. Případný zvedající předmět odstraňte. Otočte sekačku do výchozí polohy a zapněte ji.
Battery voltage too low! Please change battery.	Akumulátor je vybitý.	V takovém případě je nutné sekačku Landroid vypnout a umístit ji na nabíjecí stanici. Poté se zobrazí nápis „Emergency charging“ a sekačka se začne nabíjet. Jestliže problém s akumulátorem přetrvává, je zřejmě poškozen a je nutné ho vyměnit.
Wire missing! Press START to reset.	Stroj nemůže najít signál okrajového drátu.	Je-li světlo kontrolky LED červené, zkontrolujte, zda je okrajový drát správně zapojen do svorek na nabíjecí stanici. Jestliže problém přetrvává, zkontrolujte, zda není okrajový drát přetržen.

Battery temperature out of range! Please wait.	Při nabíjení je teplota příliš vysoká (více než 55°C) nebo příliš nízká (méně než 0°C)	Nabíjecí základnu umístěte do stinného místa nebo počkejte, až dosáhne normální teploty
Can't find charge station press START to reset.	Okrajový drát je příliš dlouhý (350 metrů a více) nebo stroj nemá dostatečně nabitý akumulátor, aby se vrátil na nabíjecí stanici.	Přeneste sekačku Landroid na nabíjecí stanici.
Mower locked!	Když je zapnuta funkce „Lock Function“ a sekačka Landroid neobdrží signál z vašeho Wi-Fi routeru po dobu 3 dnů, zamkne se (jde o bezpečnostní opatření). To se může stát například proto, že se váš router vypnul nebo došlo ke změně Wi-Fi routeru či poskytovatele sítě.	Připojte znovu sekačku Landroid k síti Wi-Fi, se kterou byla předtím spárována. Není-li to možné, obraťte se na oddělení služeb zákazníkům.

POZNÁMKY

- Před zapnutím vždy nejprve zkontrolujte, zda je sekačka Landroid v pracovní oblasti. Pokud není, objeví se zpráva „Outside working area! Press START to reset“. Tato zpráva se objeví rovněž v případě, že je sekačka jen částečně v pracovní oblasti.
- Chcete-li z jakéhokoliv důvodu (např. party na zahradě, hrající si děti) sekačku Landroid zaparkovat v nabíjecí stanici: stiskněte tlačítko domů a poté OK. Sekačka Landroid odjede na nabíjecí stanici a zůstane zde. Upozorňujeme, že sekačka Landroid bude nyní čekat až na další naplánovanou relaci sekání. Chcete-li sekačku restartovat, stačí kdykoliv stisknout start a poté OK, čímž se spustí.
- Jestliže v jedné a té samé oblasti trávníku neustále dochází k závadám, bude problém nejspíše v okrajovém drátu. Přečtěte si pokyny k instalaci a zkontrolujte, zda je správně provedena.
- Je-li váš trávník rozdělen do dvou samostatných částí, které jsou spojeny cestou užší než 1 metr, a v jedné z částí není nabíjecí stanice: jakmile je sekačka Landroid vybitá, přeneste ji na nabíjecí stanici.
- Jestliže se sekačka Landroid občas chová nestandardně, resetujte ji vypnutím a poté vyjmutím akumulátoru po dobu 30 sekund. Poté ji restartujte. Jestliže se problém nevyřeší, obraťte se na oddělení služeb zákazníkům o pomoc.

ŘEŠENÍ PROBLÉMŮ

Jestliže vaše sekačka Landroid nefunguje správně, postupujte dle pokynů níže. Pokud i poté závada přetrvává, obraťte se na oddělení služeb zákazníkům.

SYMPTOM	PŘÍČINA	ŘEŠENÍ
Kontrolka LED na nabíjecí stanici se nerozsvítí.	Chybí napájení elektřinou.	Zkontrolujte nabíjecí stanici, zda je správně připojena k adaptéru a ten je správně připojen k vhodné elektrické zásuvce.
Červené světlo na nabíjecí stanici.	Okrajový drát není připojen.	Zkontrolujte okrajový drát, zda je správně zapojen do nabíjecí stanice. Zkontrolujte, zda není okrajový drát někde přerušovaný.
Sekačka Landroid se zapne, ale disk čepelí se netočí.	Sekačka Landroid hledá nabíjecí stanici.	To je normální: pokud sekačka Landroid potřebuje nabít, disk čepelí se během hledání nabíjecí stanice neotáčí.
Sekačka Landroid vibruje.	Disk čepelí není vyvážený. Čepele mohou být poškozené.	Zkontrolujte čepele a v případě poškození je vyměňte. Odstraňte nečistoty a cizí předměty z čepelí a disku čepelí.
Sekání trávy je nerovnoměrné.	Sekačka Landroid nepracuje dostatek hodin denně, aby řádně posekala trávu.	Zkuste přidat několik hodin k plánu sekání.
	Oblast sekání je moc velká pro sekačku Landroid dané velikosti.	Zkuste zmenšit plochu oblasti určené k sekání. nebo zvýšení pracovní doby
	Čepele jsou tupé.	Vyměňte všechny čepele a šrouby, tak aby byl disk čepelí vyvážený.
	Výška sekání je nastavena příliš nízko pro danou trávu.	Zvyšte výšku sekání a poté ji postupně snižujte.
	Kolem disku čepelí se namotala tráva nebo jiný předmět.	Zkontrolujte disk čepelí a odstraňte veškerou trávu a předměty, které mu brání v otáčení.
	Na disku čepelí nebo motorové skříni je nahromaděna tráva.	Ujistěte se, že disk čepelí se snadno otáčí. Je-li třeba, můžete disk čepelí vyjmout a poté nečistoty odstranit.

Váš Landroid je uvnitř své pracovní oblasti a ohraničující vodič je připojen, ale na displeji se zobrazí 'Mimo pracovní oblast! Stisknutím tlačítka START sekačku resetujte	Konce okrajového drátu jsou nesprávně zapojeny.	Prohodte konce okrajového drátu a znovu je připojte k nabíjecí stanici.
Doba nabíjení je daleko delší než je uvedená jmenovitá doba.	Špatné spojení kontaktů způsobené nečistotami na nabíjecím proužku.	Pomocí hadříku očistěte kontaktní kolíky na nabíjecí stanici a nabíjecí proužky na sekačce Landroid.
	Kvůli vysoké teplotě je aktivován program ochrany nabíjení.	Umístěte nabíjecí stanici na stinné místo nebo počkejte, než se teplota sníží.
Sekačka se nenabíjí.	Chybí napájení elektrinou.	Zkontrolujte napájecí kabel, zda je správně připojen k adaptéru a ten je správně připojen k vhodné elektrické zásuvce. Ujistěte se, že se oba nabíjecí proužky na sekačce dotýkají středu kontaktních proužků na nabíjecí stanici.
Sekačka Landroid začíná mít kratší cykly mezi jednotlivými nabíjeními.	Něco brání disku čepelí v pohybu, čímž se vytváří tření a zvyšuje spotřebu energie.	Demontujte disk čepelí a očistěte ho. Možná je tráva moc vysoká nebo moc hustá.
	Sekačka Landroid se hodně třese, protože disk čepelí je nevyvážený.	Zkontrolujte disk čepelí a čepele, odstraňte nečistoty a cizí předměty z čepelí a disku čepelí. Vyměňte čepele za novou sadu.
	Akumulátor může být vybitý nebo starý.	Vyměňte akumulátor.
	Pracovní doba vypršela	resetujte pracovní čas
Sekačka Landroid nepracuje ve správnou dobu.	Hodiny jsou nesprávně nastaveny.	Nastavte hodiny na správný čas.
	Naprogramované časy sekání nejsou správné.	Změňte nastavení času pro spuštění a zastavení sekačky.
	Procento týdenní doby běhu nastavené APP se změnilo	Nastavte správné procento prostřednictvím APP
Sekačka Landroid se nemůže správně zaparkovat na nabíjecí stanici.	Vliv okolního prostředí.	Restartujte sekačku Landroid.
	Špatné spojení kontaktů způsobené nečistotami na nabíjecím proužku.	Pomocí hadříku očistěte kontaktní kolíky na nabíjecí stanici a nabíjecí proužky na sekačce Landroid.
Zelená kontrolka na nabíjecí stanici se rozsvítí předtím, než je nabíjení dokončeno.	nabíjecí základna se přehřívá nebo podchlazuje	Nabíjecí základnu umístěte do stinného místa nebo počkejte, až dosáhne normální teploty
Kolečka sekačky Landroid opakovaně prokluzují.	Pod sekačkou mohou být cizí předměty, překážky atd., např. větvičky.	Odstraňte cizí předměty z prostoru pod sekačkou Landroid.
	Trávník je příliš mokry.	Počkejte, až trávník uschne.
Sekačka Landroid běží mimo prostor ohraničený okrajovým drátem. Sekačka Landroid neseká oblast uvnitř oblasti ohraničené okrajovým drátem. Sekačka Landroid se zmateně otáčí poblíž okrajového drátu.	V těsné blízkosti sekačky je okrajový drát jiné sekačky Landroid či jiného výrobce.	Ujistěte se, že mezi vašim okrajovým drátem a drátem souseda je alespoň 1 metr.
	Když je vlhko, může docházet k úniku elektrického signálu v bodě, kde byl okrajový drát několikrát spojen či opraven.	Zkontrolujte spoje okrajového drátu. Spoj řádně zaisolujte, aby byl vodotěsný.
	Kvůli poškozené izolaci dochází k úniku elektrického signálu z okrajového drátu.	Opravte poškozený okrajový drát pomocí konektorů dodaných k sekačce.
Sekačka Landroid opouští pracovní oblast při jízdě z kopce.	Nedostatečný záběr koleček.	Zkontrolujte, zda jsou kolečka čistá a nezanesená zeminou, tak aby měla maximální záběr.

Operační systém Landroid padá, když se sekačka nabíjí nebo je v pohotovostním režimu.	Chyba softwaru nebo obrazovky.	Restartujte sekačku Landroid.
Sekačka Landroid se při zaparkování na nabíjecí stanici vypne.	Sekačka Landroid se nenabíjí kvůli zapnuté ochraně před vysokými teplotami a vypne se.	Umístěte nabíjecí stanici na stinné místo nebo počkejte, než se teplota sníží.
	Špatné spojení.	Zkontrolujte LED na nabíjecí stanici. Zkontrolujte spojení mezi kontaktními kolíčky na nabíjecí stanici a nabíjecími proužky na sekačce.
Sekačka Landroid se zastavuje v pracovní oblasti.	V pracovní oblasti je nějaká překážka.	Odstraňte překážku z pracovní oblasti.
	Výška sekání je nastavena příliš nízko pro danou trávu, nebo je tráva příliš hustá.	Zvyšte výšku sekání a poté ji postupně snižujte.
	Prodloužený okrajový drát nesmí být delší než 300 metrů, jinak může způsobovat problém se signálem.	Zkraťte délku okrajového drátu.
	Vzdálenost mezi středem trávníku a okrajovým drátem nesmí přesáhnout 25 metrů, jinak dojde k zeslabení signálu.	Snižte vzdálenost mezi středem trávníku a okruhem okrajového drátu na max. 25 metrů.
Sekačka Landroid se převrací.	Na trávníku je nějaká nerovnost.	Odstraňte překážku z pracovní oblasti.
Sekačka Landroid se nepřipojuje k internetu.	Zkontrolujte, zda je správně nastaven router.	Ujistěte se, že router pracuje v pásmu 2,4 GHz. Jestliže má router dvě nastavení, zapněte pásmo 2,4 GHz. Ujistěte se, že je router nastaven na režim 802.11 a smíšený provoz režimu b/g/n. Ujistěte se, že má router zapnutou funkci vysílání SSID, když k němu připojujete stroj pomocí aplikace. Po úspěšném připojení jej lze zavřít. Ujistěte se, že je zapnuta funkce DHCP. Jestliže jste změnili síť Wi-Fi, musíte sekačku Landroid připojit k nové síti. Jestliže máte router „Fritz!box“, nezapomeňte v nastavení aktivovat funkci „Umožnit komunikaci mezi zařízeními ve stejné síti“.
	Zkontrolujte, zda je router odpojen nebo zda je změněno SSID WIFI	Ujistěte se, že je router připojen a zda je WIFI SSID správné
Když nastavíte „Měsíc / Hodina / Minuta“, Landroid pípne,	To je normální	Proti směru hodinových ručiček Provedte úpravy.

Ochrana životního prostředí

Vysloužilé elektrické přístroje nevyhazujte společně s domovním odpadem. Náradí recyklujte ve sběrnách k tomu účeluzřízených. O možnostech recyklace se informujte na místních úřadech nebo u prodejce.

PROHLÁŠENÍ O SHODĚ

My,
Positec Germany GmbH
Grüner Weg 10, 50825 Cologne, Germany

Jménem společnosti Positec prohlašujeme, že výrobek

Popis **Robotická sekačka**

Typ **WR165E WR167E WR147E.1 WR148E (100-199 - označení strojního zařízení, zástupce robotická sekačka) (Sériové číslo je umístěno na zadní straně) s nabíječkou akumulátorů WA3775 / WA3776 / WA3750.1/ WA3755.1 a nabíjecí základnou WA4002.1**

Funkce **Sekání trávy**

Splňuje požadavky následujících směrnic,

2006/42/EC, 2014/30/EU, 2014/35/EU, 2011/65/EU&(EU)2015/863, 2000/14/EC v novelizaci 2005/88/EC, 2014/53/EU

WR165E WR167E

2000/14/EC v novelizaci 2005/88/EC

- Postup pro posuzování shody podle
- Měřená úroveň akustického výkonu
- Deklarovaná úroveň akustického výkonu

Dodatek V
65.5 dB (A)
67 dB(A)

WR147E.1 WR148E

2000/14/EC v novelizaci 2005/88/EC

- Postup pro posuzování shody podle
- Měřená úroveň akustického výkonu
- Deklarovaná úroveň akustického výkonu

Dodatek V
61.56 dB (A)
63 dB(A)

Pověřený úřední orgán

Název: Intertek, Semko AB (úřední vyhláška 0413)

Adresa: Torshamnsgatan 43164 22 Kista Sweden

Číslo certifikátu: 201002326SHA-V1

Splňuje požadavky norem,

**EN 60335-1:2012+A11+A13+A1+A14+A2:2019, EN 50636-2-107:2015+A1+A2:2020,
EN 60335-2-29:2004+A2+A11:2018, EN 62233:2008, EN 55014-1:2017+A11:2020,
EN 55014-2:2015, EN IEC 61000-3-2:2019, EN 61000-3-3:2013+A1:2019, EN ISO 3744:2005,
EN 300 328 V2.2.2, EN 301 489-1 V2.2.3, EN 301 489-17 V3.2.4, EN IEC 62311:2020,
EN 61558-1:2005+A1:2009, EN 61558-2-16:2009+A1:2013,
EN 55011:2016+A11:2020,
EN 303 447 V1.1.1
EN 55032:2015+A11:2020, EN 55035:2017+A11:2020**

Níže uvedená osoba odpovídá za správnost technických údajů,

Jméno Marcel Filz

Adresa Positec Germany GmbH, Grüner Weg 10, 50825 Cologne, Germany



2020/12/02

Allen Ding

Zástupce vrchní konstrukční kanceláře, Testování & Certifikace

Positec Technology (China) Co., Ltd

18, Dongwang Road, Suzhou Industrial

Park, Jiangsu 215123, P. R. China

BEZPEČNOSŤ VÝROBKU ZÁKLADNÉ A DOPLNKOVÉ BEZPEČNOSTNÉ POKYNY

⚠ UPOZORNENIE: Preštudujte si všetky bezpečnostné pokyny a inštrukcie.
Nedodržanie bezpečnostných pokynov a inštrukcií môže viesť k úrazu elektrickým prúdom, k vzniku požiaru alebo k vážnemu úrazu.

Pozorne si prečítajte všetky bezpečnostné pokyny týkajúce sa bezpečného použitia tohto zariadenia.

Všetky výstrahy a bezpečnostné pokyny uschovajte na ďalšie použitie.

- Toto zariadenie nesmú používať osoby (vrátane detí) so zníženými fyzickými, zmyslovými alebo duševnými schopnosťami, s nedostatkom skúseností a znalostí, pokiaľ týmto osobám nebol stanovený dohľad, alebo ak im neboli poskytnuté inštrukcie týkajúce sa použitia tohto zariadenia osobou zodpovednou za ich bezpečnosť.
- Deti musia byť pod dohľadom, aby bolo zaistené, že sa s týmto zariadením nebudú hrať.
- Batériu v tomto prístroji môže vymieňať iba kvalifikovaný personál.

VÝSTRAHA: Na nabíjanie batérie používajte iba vymeniteľný zdroj napájania, ktorý sa dodáva so zariadením.

UPOZORNENIE: Pre zníženie rizika zranenia osôb a poškodenia zariadenia, neodstraňujte batériu pred vypnutím prístroja.

Dôležité

PRED POUŽITÍM POZORNE PREČÍTAJTE USCHOVAJTE PRE ĎALŠIE POUŽITIE

Postupy týkajúce sa bezpečného použitia

Zaškolenie

- a) Pozorne si preštudujte všetky pokyny. Skontrolujte, či ste správne pochopili všetky uvedené pokyny a zoznámili ste sa s ovládacími prvkami a so správnym použitím tohoto zariadenia.
- b) Nikdy nedovoľte, aby toto zariadenie používali osoby, ktoré neboli zoznámené s týmito inštrukciami. Miestne predpisy môžu obmedzovať vek užívateľa.
- c) Za nehody alebo riziká, ktoré hrozia ostatným osobám alebo ich majetku zodpovedá obsluha alebo užívateľ.

Príprava

- a) Zaistite správnu inštaláciu ohraničujúceho drôtu podľa uvedených pokynov.
- b) Prevádzajte pravidelnú kontrolu priestoru, na ktorom bude toto zariadenie použité a odstráňte všetky kamene, drevka, drôty, kosti a ďalšie cudzie predmety.
- c) Prevádzajte pravidelnú vizuálnu kontrolu, či nedošlo k opotrebovaniu alebo poškodeniu nožov, montážnych skrutiek nožov a celého zariadenia na kosenie. Opotrebované alebo poškodené nože a skrutky vymieňajte vždy ako sady, aby ste zachovali správne vyváženie.
- d) U kosačiek, ktoré sú vybavené viacerými hriadeľmi, dávajte pozor, pretože otáčanie jedného hriadeľa môže spôsobiť otáčanie ďalších hriadeľov.
- e) **VAROVANIE!** Táto kosačka nebude pracovať, ak nebude mať správne nasadený kryt.

Použitie

1. Základné pokyny

- a) Nikdy nepracujte s týmto zariadením, ak sú poškodené jeho ochranné kryty alebo ak nie sú na určených miestach bezpečnostné prvky, napríklad odchyľovače.
- b) Nedávajte ruky alebo nohy do blízkosti alebo pod rotujúce diely. Stále udržiavajte výstupný otvor kosačky priechodný.
- c) Nikdy toto zariadenie nezdvíhajte alebo neprenášajte, ak je motor v chode.
- d) Blokované zariadenie spustíte priamo zo zariadenia:
 - Pred odstránením zablokovania;
 - Pred kontrolou, čistením, alebo vykonávaním práce na kosačke.
- e) Prevádzanie úprav originálne konštrukcie tejto robotickéj kosačky nie je povolené. Všetky úpravy sú prevádzané na vaše vlastné riziko.
- f) Robotickú kosačku spúšťajte podľa uvedených pokynov. Pred stlačením tlačidla zapnuté/

vypnuté, zaistíte, aby sa vaše ruky a nohy nenachádzali v blízkosti rotujúcich nožov. Nikdy nevkladajte vaše ruky a nohy pod kosačku.

- g) Nikdy túto robotickú kosačku nezdvíhajte a neprenášajte, ak je stlačené tlačidlo zapnuté/vypnuté.
- h) Nedovoľte, aby túto robotickú kosačku používali osoby, ktoré nevedia, ako pracuje a ako reaguje.
- i) Nikdy nepokladajte na hornú časť kosačky alebo nabíjacej základne žiadne predmety.
- j) Nepovoľte používať robotickú kosačku, došlo k jej poškodeniu alebo k poškodeniu nožového kotúča. Kosačka nesmie byť použitá s poškodenými nožmi, skrutkami, maticami alebo napájacím káblom.
- k) Ak nemáte v úmysle túto kosačku používať, vždy ju vypnite. Robotická kosačka môže byť spustená iba v tom prípade, ak je stlačené tlačidlo zapnuté/vypnuté a ak je zadaný správny PIN kód.
- l) Ruky a chodidlá držte v bezpečnej vzdialenosti od rotujúcich čepelí. Nikdy nedávajte ruky ani chodidlá do blízkosti kosačky alebo pod ňu, ak je robotická kosačka v prevádzke.
- m) Nepoužívajte stroj a jeho periférne zariadenie za nepriaznivých klimatických podmienok, najmä ak hrozí nebezpečenstvo blesku.
- n) Nedotýkajte sa pohyblivých nebezpečných častí skôr, ako sa úplne zastaví.
- o) U strojov používaných vo verejných priestoroch majú okolo pracovnej plochy stroje umiestnené varovné značky. Musí obsahovať obsah nasledujúceho textu:
Upozornenie! Automatická kosačka na trávu! Uchovávajte dostatočnú vzdialenosť od stroja!

Dohliadajte na deti!

2. Ak táto kosačka pracuje v automatickom režime

- a) Ak sú v blízkosti domáce zvieratá, deti alebo iné osoby, nikdy nenechávajte túto kosačku bez dozoru.

Údržba a uskladnenie

VAROVANIE! Ak je kosačka otočená spodnou stranou nahor, tlačidlo vypnuté/zapnuté musí byť vždy vypnuté.

Tlačidlo zapnuté/vypnuté musí byť vždy vypnuté, ak sa prevádzajú akékoľvek práce na spodnej časti kosačky, ako je čistenie alebo výmena nožov.

- a) Všetky matice, skrutky a spájacie prvky udržiavajte riadne dotiahnuté, aby bolo zariadenie v bezpečnom prevádzkovom stave.
- b) Prevádzajte kontrolu robotickej kosačky každý týždeň a vymeňte opotrebované alebo poškodené časti súvisiace s bezpečnosťou.
- c) Prevádzajte hlavne kontrolu, či nie sú poškodené nože a nožový kotúč. Ak je to nutné, vždy vymieňajte všetky nože a skrutky súčasne ako jednu sadu, aby bolo zaistené vyváženie rotujúcich dielov.
- d) Zaistíte, aby sa používali iba náhradné diely správneho typu.
- e) Zaistíte, aby boli batérie kosačky nabíjané pomocou správnej nabíjačky odporúčenej výrobcom. Nesprávne použitie môže viesť k úrazu elektrickým prúdom, prehriatiu batérie alebo k úniku žieraviny z batérie.
- f) Ak dôjde k úniku elektrolytu z batérie, opláchnite si ruky vodou/neutralizačným prostriedkom. Ak dôjde ku kontaktu s pokožkou alebo k zasiahnutiu očí, vyhľadajte lekárske ošetrenie.
- g) Údržba kosačky musí byť prevedená podľa pokynov od výrobcu.

Odporúčania

Stroj a jeho príslušenstvo pripojte iba k napájaciemu obvodu s ochranným zariadením pred zvyškovým prúdom (RCD) s vypínacím prúdom nepresahujúcim 30 mA.

Ostatné riziká

Aby ste sa vyhli zraneniu, pri výmene nožov používajte ochranné rukavice.

Preprava

Pri preprave tejto robotickej kosačky na dlhé vzdialenosti vždy používajte jej originálny obal.

Zaistenie bezpečného kosenia alebo kosenia vo vnútri pracovného priestoru:

- a) Stlačte tlačidlo STOP, aby došlo k zastaveniu kosačky.
- Pri prvom spustení tejto kosačky zadajte štvormiestny číselný PIN kód.
- b) Vždy túto robotickú kosačku zastavte, ak ju chcete prenášať.
 - c) Kosačku prenášajte za rukoväť, ktorá sa nachádza na prednej časti kosačky. Kosačku prenášajte tak, aby bol nožový kotúč otočený smerom od vášho tela.

Požiadavky spojené s expozíciou RF

Pre splnenie požiadaviek spojených s expozíciou RF by mala byť medzi týmto zariadením a osobami počas prevádzky zariadenia udržiavaná vzdialenosť o minimálne 200 mm.

Pre zaistenie dodržiavania, neodporúčame prevádzku pri vzdialenosti kratšej ako je táto. Anténa použitá pre tento vysielač nesmie byť umiestnená spoločne s inou anténou alebo vysielačom.

Bezpečnostné varovania týkajúce sa batérii

- a) **Nepokúšajte sa demontovať, rozoberať alebo rozrezávať batérie alebo jej články.**
- b) **Batériu neskratujte. Neukladajte batérie náhodne v škatuliach alebo v zásuvkách, kde by mohlo dôjsť k ich vzájomnému skratovaniu alebo k skratovaniu spôsobenému inými predmetmi.** Ak sa batéria nepoužíva, udržiujte ju v bezpečnej vzdialenosti od sponiek na papieri, mincí, kľúčov, klincov, skrutiek alebo iných malých kovových predmetov, ktoré môžu spôsobiť prepojenie kontaktov batérie. Skratovanie kontaktov batérie môže spôsobiť popálenie alebo požiar.
- c) **Nevystavujte batériu pôsobeniu tepla alebo ohňa. Vyvarujte sa skladovania batérii na otvorenom slnku.**
- d) **Nevystavujte batériu mechanickým rázom.**
- e) **Ak dôjde k úniku kvapaliny z batérie, zabráňte tomu, aby sa táto kvapalina dostala do kontaktu s pokožkou alebo aby zasiahla oči. Ak dôjde k takému kontaktu, zasiahnuté miesto umyte značným množstvom vody a vyhľadajte lekárske ošetrovanie.**
- f) **Ak dôjde k požitiu kvapaliny z batérie, vyhľadajte okamžite lekárske ošetrovanie.**
- g) **Udržiujte batérie čisté a suché.**
- h) **Ak sú svorky batérie znečistené, utrite ich čistou a suchou handričkou.**
- i) **Batéria musí byť pred použitím nabitá. Vždy postupujte podľa uvedených pokynov a používajte správny postup nabíjania.**
- j) **Nenechávajte batériu nabíjať, ak nebude batéria použitá.**
- k) **Po dlhodobom uložení budete možno musieť vykonať niekoľko cyklov nabíjania a vybíjania, aby batéria dosiahla svoj maximálny výkon.**
- n) **Vykonávajte nabíjanie iba v nabíjačke, ktorá je špecifikovaná spoločnosťou Worx. Nepoužívajte inú nabíjačku, než je nabíjačka špeciálne dodaná na použitie s týmto zariadením. Nabíjačka, ktorá je vhodná pre jeden typ batérie, môže pri použití iného typu batérie vytvárať riziko spôsobenia požiaru.**
- o) **Nepoužívajte žiadnu batériu, ktorá nie je určená na použitie s týmto zariadením.**
- p) **Ukladajte batérie mimo dosahu detí.**
- q) **Uschovajte originálnu dokumentáciu k tomuto výrobku na budúce odkazy.**
- r) **Ak sa zariadenie nepoužíva, vyberte z neho batériu.**
- s) **Vykonávajte riadnu likvidáciu batérie.**
- t) **V zariadení nekombinujte batériové články rôzneho dátumu výroby, kapacity, veľkosti alebo typu.**
- u) **Nevyberajte batériu z originálneho obalu skôr, než bude použitá.**
- v) **Dodržiujte polaritu vložených batérii plus (+) a mínus (-) a zaistite používanie batérii správnym spôsobom.**

INFORMÁCIE NA ŠTÍTKOCH NA KOSAČKE LANDROID



VAROVANIE – Ak sa táto robotická kosačka nepoužíva správne, môže byť nebezpečná. Pred použitím tejto robotickej kosačky si pozorne prečítajte návod na obsluhu a riadne si preštudujte jeho obsah.



VAROVANIE - Ak je táto kosačka v prevádzke, udržiajte od nej bezpečnú vzdialenosť.



VAROVANIE – Pred prácou na tejto kosačke alebo pred jej zdvihnutím použite blokovacie zariadenie.



VAROVANIE – Na tejto kosačke nejazdíte.



Akumulátor Li-Ion. Tento výrobok bol označený symbolom “triedený odpad” pre všetky jednotlivé a zložené akumulátory. Preto musí byť s ohľadom vplyvu na životné prostredie po doslúžení recyklovaný alebo demontovaný. Akumulátory obsahujú nebezpečné látky, preto môžu byť nebezpečné pre životné prostredie a ľudské zdravie.



Nespaľujte ich.



Ak sa s ním nezaobchádza správne, batéria sa môže dostať do vodného cyklu, čo môže spôsobiť poškodenie ekosystému. Použité batérie nevyhadzujte do netriedeného komunálneho odpadu.



Stroj nerozoberajte bez povolenia



Elektrické výrobky sa nesmú likvidovať spolu s domácim odpadom. Recyklujte v zberných miestach na tento účel zriadených. O možnosti recyklácie sa informujte na miestnych úradoch alebo u predajcu.



Elektrický spotrebič triedy III



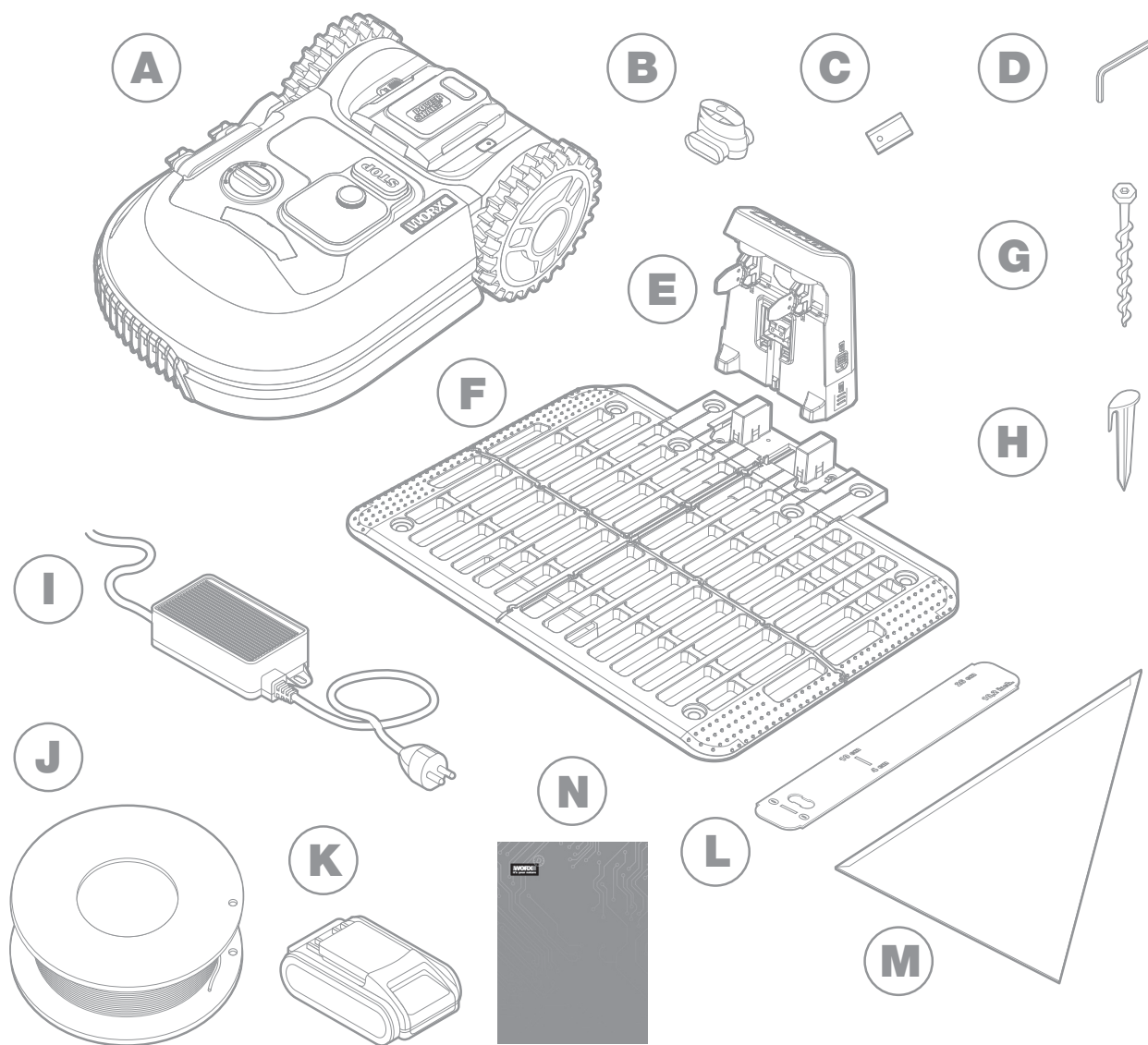
Prečítajte si návod na obsluhu



Odnímateľná napájacia jednotka

Váš Landroid možno použiť s iným funkčným príslušenstvom Worx. Navštívte stránky www.worxlandroid.com, kde sa dozviete viac o možnostiach tohto dostupného príslušenstva.

**ZOZNAM DIELOV
OBSAH BALENIA**



Obrázok je iba informatívny

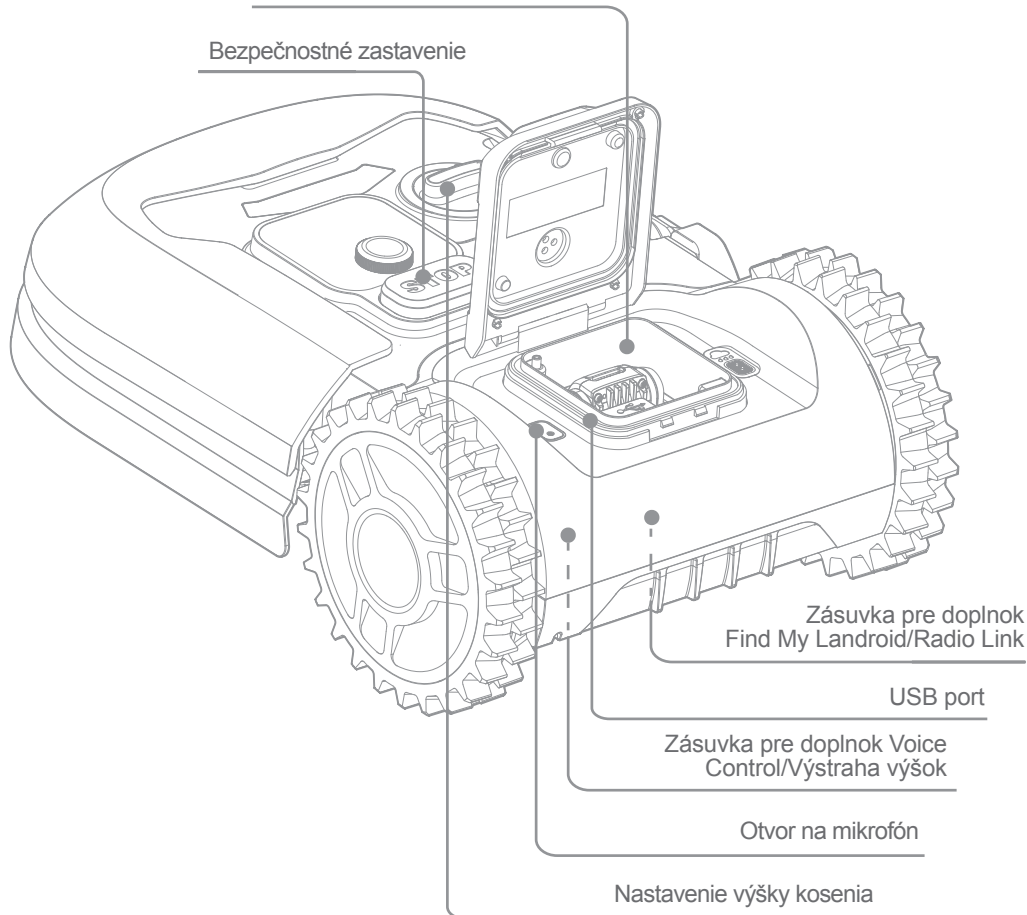
A	Worx Landroid
B	Konektory na opravu/spájanie drôtu
C	Súpravy náhradných čepelí
D	Šesthranný kľúč
E	Nabíjacia hromada
F	Nabíjacia stanica
G	Skrutiek

H	Kolíky na drôt
I	Napájací zdroj
J	Ohraničujúci drôt
K	20 V batéria
L	Mierky na ohraničujúci drôt
M	Bertelsenovo pravítko
N	Príručka

**ÚVODNÉ INFORMÁCIE O
LANDROID**

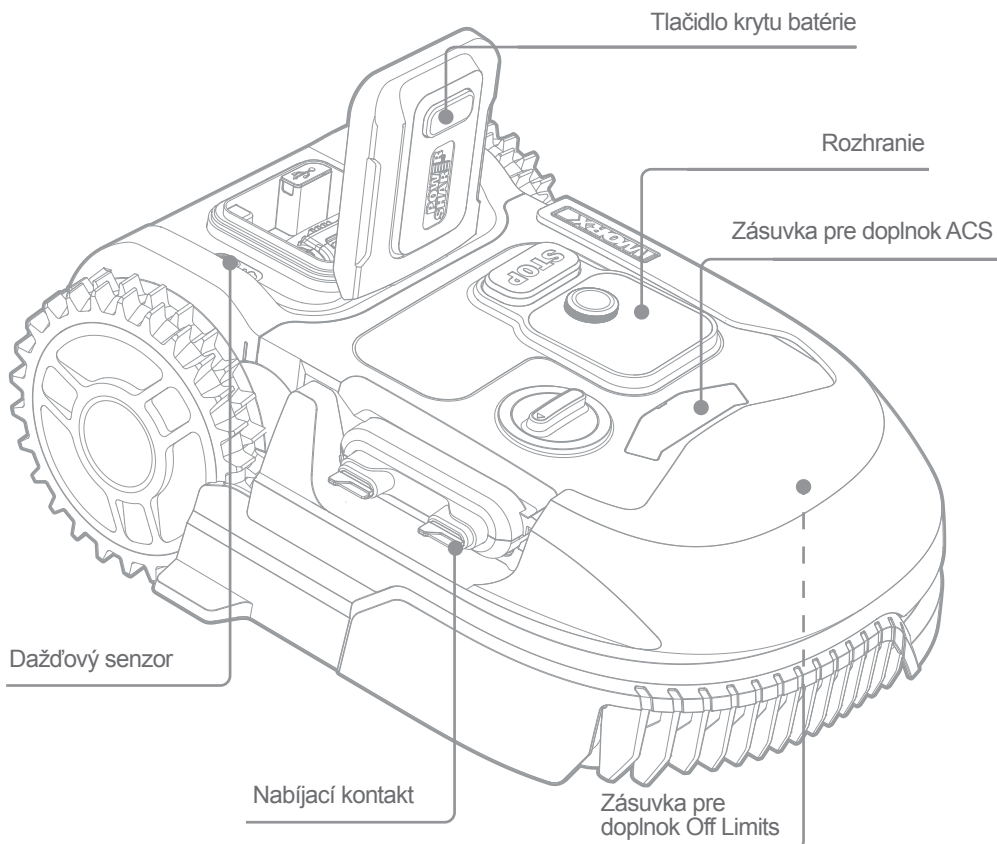
Otvor na batériu

A



Tlačidlo krytu batérie

B



Obrázok je iba informatívny

DATE TEHNICE

Tip **WR165E WR167E WR148E WR147E.1(100-199 - marcajul mașinii, respectiv a Robotului de tuns iarba)**

	WR165E	WR167E	WR148E	WR147E.1
Tensiune nominală	20 V Max.*			
Turație de mers în gol (/min)	2800		2400	
Suprafața de tăiere (m ²)	500	700	800	1000
Diametru de tăiere (cm)	18		20	
Înălțime de tăiere (mm)	30-60			
Poziții înălțime de tăiere	4			
Tip acumulator	Litiu-ion			
Model acumulator	WA3551.3	WA3553.3	WA3551.3	WA3553.3
Durată de reîncărcare aprox. (mins)	75	150	75	75
Model încărcător	WA3750.1/ WA3755.1			WA3775 / WA3776
Tensiune încărcător	Intrare:100-240 V~50/60 Hz, 38 W, leșire: 20V , 1.5 A			Intrare:100-240 V~50/60 Hz, 90 W, leșire:20 V , 3.0 A
Greutate mașină (kg)	9.5	9.8	11.7	12
Clasă de protecție	III			
App(Wi-Fi/Bluetooth)	Y			
Banda de frecvență a modului WLAN încorporat	2.412GHz-2.484GHz			
Radiofrecvența maximă a modului WLAN încorporat	802.11b:+16±2dBm(@11Mbps) 802.11g:+14±2dBm(@54Mbps) 802.11n:+13±2dBm(@HT20,MCS7)			
Banda de frecvență a sistemului de buclă inductivă	77 Hz			
Puterea RF a sistemului de buclă inductivă	82 dBμA/m			

* Tensiune măsurată în gol. Tensiunea inițială a acumulatorului atinge maximum 20 volți. Tensiunea nominală este de 18 volți.

ÚDAJE TÝKAJÚCE SA ÚROVNE HLUKU

	WR165E	WR167E	WR148E	WR147E.1
Meraná hladina akustického tlaku	$L_{pA} = 45.5 \text{ dB(A)}$		$L_{pA} = 40.68 \text{ dB(A)}$	
	$K_{pA} = 0.6 \text{ dB(A)}$		$K_{pA} = 1.36 \text{ dB(A)}$	
Meraná hodnota akustického výkonu	$L_{wA} = 65.5 \text{ dB(A)}$		$L_{wA} = 61.56 \text{ dB(A)}$	
	$K_{wA} = 0.6 \text{ dB(A)}$		$K_{wA} = 1.36 \text{ dB(A)}$	
Používajte ochranu sluchu, ak hodnota akustického tlaku presiahne úroveň 80dB (A).				

Určitej hlučnosti stroja sa nedá zabrániť. Vykonávanie hlučnej práce na danej trase musí byť s obmedzením na určitú dobu schválené. Dodržujte doby odpočinku, nutné obmedzenie pracovnej doby na minimum. S ohľadom na osobnú ochranu a ochranu osôb pracujúcich v blízkosti by mali všetci používať vhodnú ochranu sluchu.

PRÍSLUŠENSTVO

	WR165E	WR167E	WR148E	WR147E.1
Skrutiek	9	9	9	9
Nabíjacia základňa	1	1	1	1
Upevňovacie kolíky pre nabíjaciu základňu	8	8	8	8
Ohraničujúceho drôtu	130m	150m	150m	180m
Kolíkov pre ohraničujúci drôt	180	210	210	250
Šest'hranný kľúč	1	1	1	1
Ukazovatele vzdialenosti ohraničujúceho drôtu	2	2	2	2
Nožov	9	9	9	9
Spájací konektor	2	2	2	2
Batéria (WA3551.3)	1	/	1	/
Batéria (WA3553.3)	/	1	/	1
Nabíjačka(WA3750.1/ WA3755.1)	1	1	1	/
Nabíjačka (WA3775 / WA3776)	/	/	/	1

Odporúčame vám, aby ste si príslušenstvo kúpili v tej istej predajni, v ktorej ste si kúpili aj svoje náradie. Podrobné informácie nájdete na obale príslušenstva. Prípadne sa obráťte na vášho predajcu so žiadosťou o radu a pomoc.

URČENÉ POUŽITIE

Tento výrobok je určený na kosenie trávnikov na súkromných pozemkoch. Je navrhnutý na časté kosenie, aby bol váš udržiavaný trávnik zdravší a vypadal lepšie, ako kedykoľvek predtým. V závislosti od rozlohy vášho trávniku môže byť Landroid naprogramovaný tak, aby početnosť a doba prevádzky nebola ničím obmedzená. Zariadenie nie je určené na kopanie, zametanie alebo čistenie snehu.

ÚDRŽBA

Landroid usilovne pracuje, preto sa občas musí vyčistiť a skontrolovať. Táto časť príručky vám pomôže udržiavať Landroid vo forme, aby mohol dlhé roky fungovať bez problémov. Tu je návod na starostlivosť o Landroid. Pred vykonaním akejkoľvek činnosti servisu alebo údržby vypnite zariadenie.

NEUSTÁLA OSTROŤ

Landroid nekosi trávu ako tradičné kosačky. Jeho žacie čepele sú ostré ako žiletky na 2 okrajoch a otáčajú sa oboma smermi na dosiahnutie maximálnej kapacity kosenia.

A. Kotúč otáčajúci čepele sa náhodne otáča v smere aj proti smeru hodinových ručičiek, vďaka čomu sa využívajú oba žacie okraje a minimalizuje sa frekvencia výmeny čepelí

B. Každá žacia čepeľ vydrží až 2 mesiace pri každodennom kosení

C. Vždy skontrolujte, či čepele nie sú vyštrbené alebo poškodené, a ak sú, vymeňte ich

D. Keď sú žacie čepele tupé alebo opotrebované, musia sa vymeniť za náhradné čepele dodané s Landroidom. Náhradné čepele si môžete zakúpiť aj u predajcov produktov Landroid

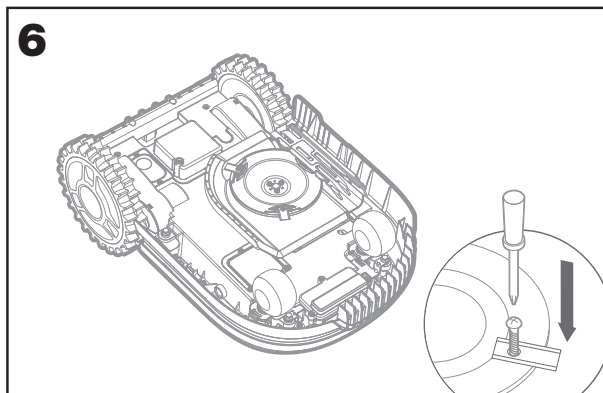
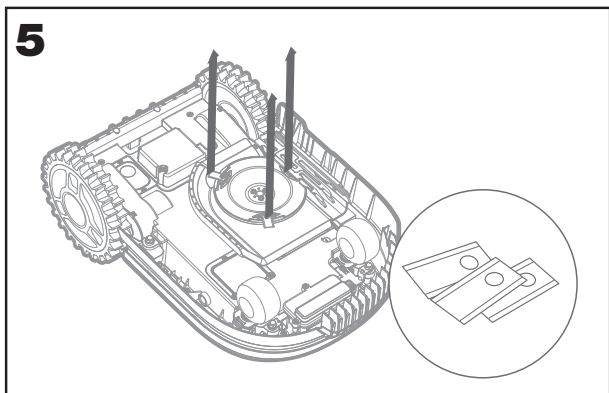
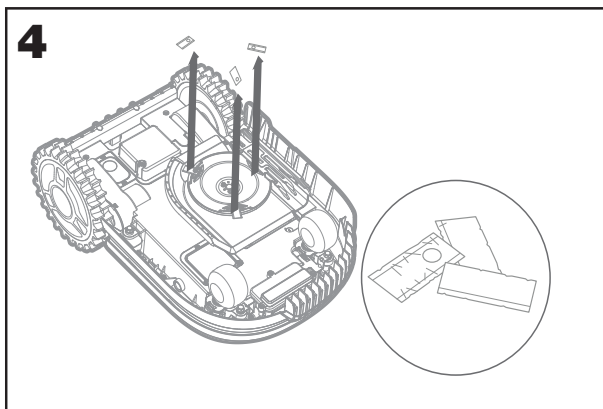
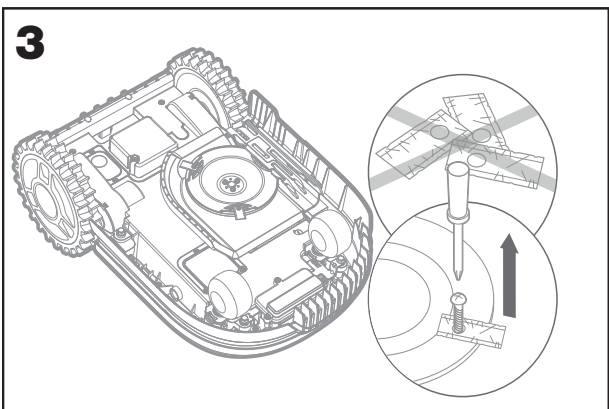
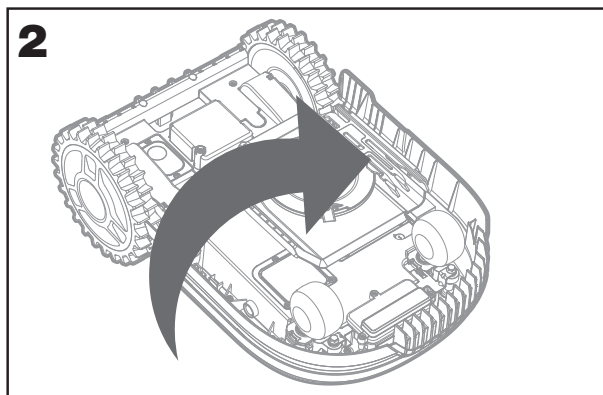
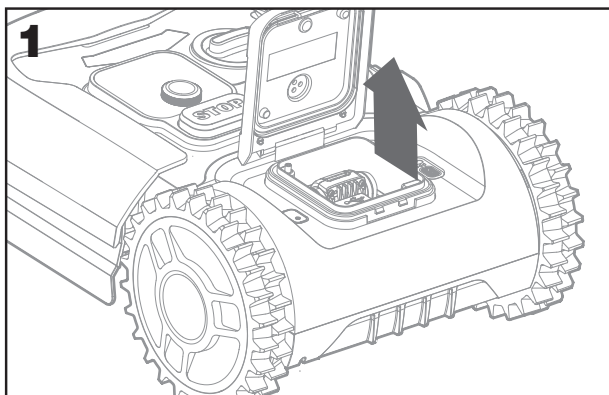
⚠ VÝSTRAHA! Pred čistením, nastavovaním alebo výmenou čepelí Landroid vypnite a vyberte z neho batériu. Vždy používajte ochranné rukavice.

1. Výmena čepelí

Vyberte batériu (obr. 1) a Landroid opatrne prevráťte (obr. 2)

Odskrutkujte skrutky z čepelí pomocou skrutkovača (obr. 3 – 4)

Pevne priskrutkujte nové čepele (obr. 5 – 6)



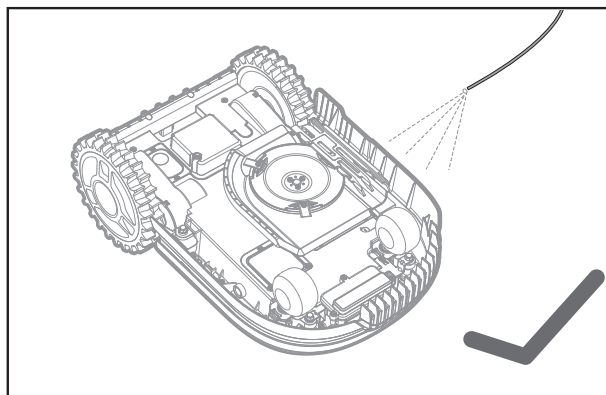
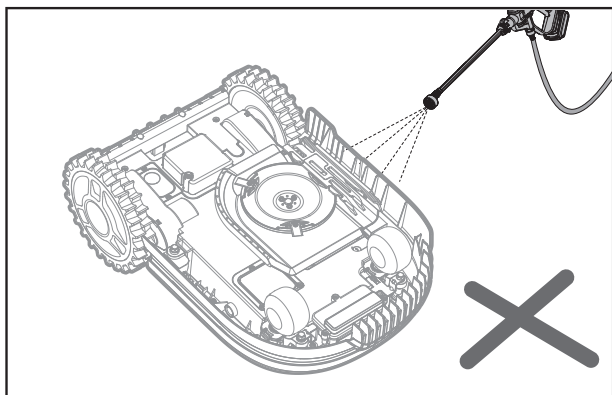
⚠ Upozornenie: Pri nasadzovaní nových čepelí dbajte na to, aby ste vymenili **VŠETKY** čepelí. Pri nasadzovaní čepelí vždy použite nové skrutky. Je to dôležité na zaručenie uchytenia čepelí a vyváženia kotúča otáčajúceho čepelí. Nepoužitie nových skrutiek môže mať za následok vážne zranenie
Dôležité: Po priskrutkovaní čepelí k žaciemu kotúču skontrolujte, či sa čepel' môže voľne otáčať

ČISTENIE

Landroid sa musí pravidelne čistiť. Vďaka tomu sa bude udržiavať v dobrom stave, a to najmä odstraňovaním nečistôt, drobných predmetov a nahromadenej trávy z každodenného kosenia. Landroid pred čistením vypnite. Pre väčšiu bezpečnosť vyberte batériu.

⚠ Poznámka: Pri čistení Landroid sa uistite, že je kryt batérií zatvorený.

⚠ VÝSTRAHA! VÁŠ Landroid je možné čistiť iba hadicou! Na Landroid **NEPOUŽÍVAJTE** tlakovú umývačku. Vysokotlaková voda môže preniknúť do vnútra tesnenia a poškodiť elektronické a mechanické časti.



1. Čistenie horného telesa

- A. Vyčistite postrekovacou fľašou naplnenou vodou. Nepoužívajte rozpúšťadlá ani leštidlá
- B. Nahromadené nečistoty odstráňte pomocou kefy alebo handry

2. Čistenie spodnej strany

- A. Landroid prevráťte
- B. Pomocou kefy odstráňte drobné predmety a kúsky trávy
- C. Dávajte pozor, aby ste sa rukami nedotýkali čepelí. Chráňte sa používaním rukavíc
- D. Žací kotúč, podvozok a predné kolieska pravidelne čistite mäkkou kefou alebo mokrou handrou
- E. Otočením žacieho kotúča skontrolujte, či sa voľne otáča. Odstráňte prekážky. Odstráňte prípadné uviaznuté drobné predmety, aby nespôsobili prasklinu v žacom kotúči. Aj najmenšia prasklina má vplyv na výkon kosenia
- F. Skontrolujte, či sa čepelí voľne otáčajú okolo upevňovacích skrutiek. Odstráňte prípadné prekážky

3. Čistenie hnacích koliesok

- A. Kefou odstráňte blato z koliesok, aby sa zaručil dobrý záber dezénu

4. Čistenie nabíjacích kontaktov

- A. Kontaktné kolíky na nabíjacej základni a nabíjacie pásiky na Landroide vyčistite handričkou
- B. Pravidelne odstraňujte prípadné nahromadené kúsky trávy alebo drobné predmety v okolí kontaktných kolíkov na nabíjacej základni a nabíjacích pásikov, aby sa zaručilo úspešné nabitie Landroida pri každom nabíjaní

NABÍJANIE

Srdcom Landroida je 20 V Li-Ion batéria Worx Powershare.

- A. Batériu uskladňujte úplne nabitú a na chladnom mieste pri teplote
- B. Odporúčaná prevádzková teplota Landroida je 0 °C až 55 °C.
- C. Životnosť batérie závisí od počtu hodín používania a dĺžke každodenného používania počas sezóny kosenia

1. Landroid je možné nabíjať manuálne bez ohraničujúceho drôtu

- A. Zapojte nabíjajúcu základňu do vhodnej elektrickej zásuvky. Zelená kontrolka na nabíjacej základni sa rozsvieti
- B. Ručne položte Landroid na nabíjajúcu základňu vo vypnutom stave
- C. Zelená kontrolka na nabíjacej základni bude blikať a Landroid sa začne nabíjať

SKLADOVANIE V ZIME

Hoci Landroid je navrhnutý tak, aby zvládol aj tie najnepriaznivejšie poveternostné podmienky, počas zimy ho odporúčame skladovať v šope alebo v garáži. Príprava na zimný spánok:

- A. Dôkladne vyčistite
- B. Úplne nabite batériu
- C. Vypnite napájanie

1. Opätovné používanie na jar

Keď nastane čas znova spustiť Landroid na novú sezónu, vykonajte tieto kontroly:

- A. Aktualizujte nastavenie dátumu a času pomocou aplikácie
- B. Ak si na nabíjачích kontaktoch Landroida a nabíjacej stanice všimnete známky oxidácie, vyčistite ich jemným brúsny m papierom
- C. Pred používaním úplne nabite batériu Landroida

AKTUALIZÁCIA

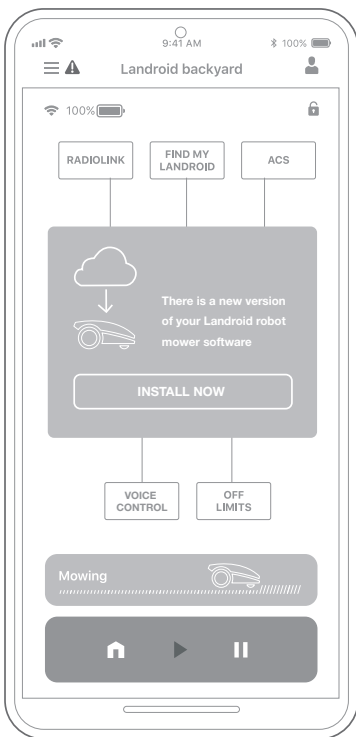
Landroid sa stále zdokonaľuje a zdarma sa sprístupňujú nové verzie softvéru. Softvér Landroida udržiavajte v aktuálnom stave, aby ste svoje zariadenie mohli využívať naplno.

1. Aktualizácie cez internet (OTA)

Ak je Landroid pripojený k sieti Wi-Fi, upozornenie na dostupnosť novej verzie softvéru sa zobrazí prostredníctvom aplikácie. Po potvrdení sa aktualizácia vykoná automaticky cez internet.

2. Kontrola používanej verzie softvéru.

Číslo verzie softvéru je viditeľné pri zapnutí kosačky Landroid.



3. Manuálne aktualizácie

- A. Ak Landroid nie je pripojený k sieti Wi-Fi, môžete ho aktualizovať na najnovšiu verziu softvéru pomocou USB kľúča
- B. Pravidelne navštevujte webové stránky Worx Landroid, aby ste zistili, či je k dispozícii nová verzia. Ak sa prihlásite na odber e-mailo vých oznámení pre Landroid, v prípade dostupnosti novej verzie dostanete oznámenie
- C. Stiahnite si najnovšiu verziu softvéru na našich webových stránkach
- D. Vezmite si prázdny USB kľúč naformátovaný systémom FAT32
- E. Uložte súbor vo formáte zip a rozbaľte jeho obsah na USB kľúč.
- F. Položte Landroid na bezpečný a rovný povrch
- G. Vypnite Landroid
- H. Prejdite k USB portu na zadnej strane Landroida.
- I. Vložte USB kľúč do portu
- J. Znova položte Landroid na trávnik, do pracovnej oblasti vymedzenej ohraničujúcim drôtom
- K. Zapnite Landroid
- L. Keď "Odoberte kľúč USB", vyberte USB kľúč bez zdvíhania Landroid.

M. Aktualizácia sa spustí automaticky a môže chvíľu trvať. Po dokončení aktualizácie sa Landroid automaticky reštartuje
POZNÁMKA: Uistite sa, že Landroid sa pri reštartovaní nachádza v rámci ohraničenia.

PREVÁDZKOVÉ SPRÁVY

AKCIA SPRÁVY LANDROID	AKCIA SPRÁVY LANDROID
Kosenie trávy	Kosenie trávy podľa harmonogramu kosenia.
Prší	Dažďový senzor detekuje vodu. Landroid sa vráti na nabíjaciu stanicu a zostane na tejto pozícii, kým nebude naprogramovaný. Po vysušení Landroid automaticky spustí odpočítavanie dažďového oneskorenia a potom sa vráti do stavu kosenia. Ak chcete Landroid predtým kosiť, jednoducho ho vypnite a znova zapnite, ale iba keď je dažďový senzor suchý, alebo môžete oneskorenie dažďa úplne eliminovať nastavením času oneskorenia dažďa na nulu.
Príd' naspäť domov	Je potrebné nabiť - žací nôž sa zastaví na ceste k základni
Nabíjanie	Zobraziť "Nabíjanie" a percento nabitia.
Žiadna pracovná doba	Pohotovostný režim, je potrebné programovať podľa potreby.
Dnes nefunguje	Pohotovostný režim, začne sa podľa harmonogramu kosenia.
Práca dnes vykonaná	
Plošné vyhľadávanie	Podľa nastavenia "Vlastný pracovný priestor" Landroid vyhľadáva
Dokončené nabíjanie	Landroid dokončil nabíjanie.
Núdzové nabíjanie	Núdzové nabíjanie Landroid sa nabíja vo vypnutom stave.

CHYBOVÉ HLÁSENIA

Občas sa vyskytne nejaká porucha. Landroid je našťastie dostatočne inteligentný a oznámi vám, keď sa vyskytne problém, aby ste ho mohli vyriešiť. V prípade pochybností navštívte naše webové stránky, kde nájdete užitočné videá a ďalšiu podporu.

HLÁSENIE	PRÍČINA	RIEŠENIE
	Kryt batérie nie je zatvorený	Zatvorte kryt batérie
Outside working area! Press START to reset.	Landroid nemôže nájsť signál ohraničujúceho drôtu.	1. Ak je Landroid skutočne mimo svojej pracovnej oblasti: vypnite napájanie, odneste Landroid do pracovnej oblasti, zapnite napájanie a stlačte tlačidlo Start. 2. Ak je Landroid vo svojej pracovnej oblasti, skontrolujte, či kontrolka na nabíjacej základni neprerušovane svieti nazeleno. Ak svieti načerveno, skontrolujte, či je ohraničujúci drôt správne pripojený k nabíjacej základni a či je základňa zapojená do vhodnej elektrickej zásuvky. Ak je všetko pripojené, svorky ohraničujúceho drôtu sú zapojené nesprávne a musia sa prehodiť.
WRONG PIN! Please retry.	PIN kód je nesprávny.	Zadajte správny PIN kód alebo znova nastavte PIN kód.
Blade motor fault! Press START to reset.	Žací kotúč blokuje nejaký predmet, napríklad konár.	Vypnite napájanie. Landroid prevráťte, skontrolujte, či niečo nebráni otáčaniu žacieho kotúča, a odstráňte prípadnú prekážku. Prevráťte Landroid naspäť. Zapnite napájanie. Stlačte tlačidlo Start.
	Čepeľ je preťažená dlhou hustou trávou.	Vypnite napájanie. Odneste Landroid na miesto s krátkou trávou alebo upravte výšku kosenia na vyššie nastavenie. Zapnite napájanie. Stlačte tlačidlo Start.
Wheels motor fault! Press START to reset.	Motor kolieska niečo blokuje.	Vypnite napájanie a odneste Landroid na miesto bez prekážok. Zapnite napájanie. Stlačte tlačidlo Start. Ak sa chybové hlásenie neprestane zobrazovať, vypnite napájanie. Landroid prevráťte a skontrolujte, či niečo nebráni otáčaniu koliesok. Odstráňte prípadné prekážky, prevráťte Landroid naspäť a zapnite ho.
Upside down! Press START to reset.	K tomuto môže dôjsť, keď sa Landroid dostane do kontaktu so šikmým povrchom a prevráti sa.	Prevráťte Landroid naspäť a odstráňte prípadné prekážky, ktoré mohli spôsobiť prevrátenie Landroida.
Mower trapped! Press START to reset.	Landroid je zaseknutý.	Vypnite napájanie. Odneste Landroid do oblasti trávniku bez prekážok a zapnite ho. Stlačte tlačidlo Start. Ak sa chybové hlásenie neprestane zobrazovať, vypnite napájanie, potom Landroid prevráťte. Skontrolujte, či niečo nebráni otáčaniu koliesok. Odstráňte prípadné prekážky, prevráťte Landroid naspäť a zapnite ho.
Mower lifted! Press START to reset.	Landroid je zdvihnutý.	Vypnite napájanie. Odneste Landroid na miesto bez prekážok a zapnite ho. Stlačte tlačidlo Start. Ak sa chybové hlásenie neprestane zobrazovať, vypnite napájanie, potom Landroid prevráťte a skontrolujte, čo mohlo spôsobiť zdvihnutie Landroid. Odstráňte všetky prípadné predmety, prevráťte Landroid naspäť a zapnite ho.
Battery voltage too low! Please change battery.	Batéria je vybitá.	V takomto prípade musíte Landroid vypnúť a položiť ho do nabíjacej základne. Zobrazí sa hlásenie Emergency charging (Núdzové nabíjanie) a spustí sa nabíjanie. Ak chyba batérie pretrváva, batéria je poškodená a musí sa vymeniť.
Wire missing! Press START to reset.	Zariadenie nemôže nájsť signál ohraničujúceho drôtu.	Ak kontrolka svieti načerveno, skontrolujte, či je ohraničujúci drôt správne pripojený k svorkám na nabíjacej základni. Ak problém pretrváva, skontrolujte, či ohraničujúci drôt nie je preseknutý.

Battery temperature out of range! Please wait.	Pri nabíjaní je teplota príliš vysoká (viac ako 55°C) alebo príliš nízka (menej ako 0°C).	Nabíjací základňu umiestnite do tienistého miesta alebo počkajte, až dosiahne normálnej teploty
Can't find charge station press START to reset.	Dĺžka ohraničujúceho drôtu je viac než maximum 350 m alebo zariadenie nemá dostatok energie na návrat do nabíjacej stanice.	Odneste Landroid do nabíjacej stanice.
Mower locked!	Keď je zapnutá funkcia uzamknutia (Lock Function), ak Landroid neprijme signál zo smerovača siete Wi-Fi počas 3 dní, ako bezpečnostné opatrenie sa uzamkne. Dôvodom výskytu tejto chyby môže byť, že smerovač bol odpojený z elektrickej siete alebo ste zmenili smerovač či poskytovateľa sieťových služieb.	Znova pripojte Landroid k sieti Wi-Fi, s ktorou bol pôvodne spárovaný. Ak to nie je možné, kontaktujte oddelenie služieb zákazníkom.

POZNÁMKY

- Pred zapnutím sa vždy uistite, že je Landroid vo svojej pracovnej oblasti. Ak nie je, zobrazí sa hlásenie Outside working area! Press START to reset. Toto hlásenie sa zobrazí aj v prípade, že je Landroid vo svojej pracovnej oblasti len čiastočne, nie úplne.
- Ak z nejakého dôvodu – napr. oslava, hranie sa detí na trávniku – chcete Landroid zaparkovať v nabíjacej základni, stlačte tlačidlo Domov a potom tlačidlo OK. Landroid sa presunie do základne a zostane tam. Landroid bude čakať, kým sa nezačne ďalšie naplánované kosenie. Ak ho chcete znova spustiť kedykoľvek predtým, stlačte tlačidlo Start a potom tlačidlo OK
- Ak sa nejaká chyba opakovane vyskytuje v rovnakej oblasti trávniku, možno je problém s ohraničujúcim drôtom. Podľa inštaláčnych pokynov skontrolujte správnosť inštalácie
- Ak je trávnik rozdelený na dve oddelené oblasti spojené koridorom širokým menej ako 1 meter, pričom v jednej z nich sa nenachádza nabíjacia základňa, musíte ho v prípade vybitia odniesť na nabíjaciu základňu manuálne
- Ak Landroid občas funguje nesprávne, resetujte ho tak, že ho vypnete a na 30 minút vyberiete batériu. Potom ho znova zapnite. Ak problém pretrváva, kontaktujte oddelenie služieb zákazníkom so žiadosťou o pomoc

RIEŠENIE PROBLÉMOV


Ak Landroid nefunguje správne, postupujte podľa nasledovnej príručky riešenia problémov. Ak problém pretrváva, obráťte sa na oddelenie služieb zákazníkom.

PRÍZNAK	PRÍČINA	RIEŠENIE
Kontrolka na nabíjacej základni sa nerozsvieti.	Žiadne napájanie.	Skontrolujte, či je nabíjacia základňa správne pripojená k nabíjačke a či je nabíjačka zapojená do vhodnej elektrickej zásuvky.
Na nabíjacej základni svieti červená kontrolka.	Ohraničujúci drôt nie je pripojený.	Skontrolujte, či je ohraničujúci drôt správne pripojený k nabíjacej základni. Skontrolujte, či ohraničujúci drôt nie je preseknutý.
Landroid sa zapne, ale žací kotúč sa netočí.	Landroid hľadá nabíjaciu základňu.	Ide o normálny jav: keď sa Landroid potrebuje dobiť, žací kotúč sa počas automatického vyhľadávania nabíjacej základne netočí.
Landroid vibruje.	Žací kotúč je nevyvážený. Čepele sú možno poškodené.	Skontrolujte čepele a ak sú poškodené, vymeňte ich. Odstráňte drobné a cudzie predmety z čepelí a žacieho kotúča.
Tráva sa kosí nerovnomerne.	Landroid nepracuje dostatočný počet hodín denne na pokosenie trávy.	Skúste do harmonogramu kosenia pridať viac hodín.
	Plocha kosenia je príliš veľká pre váš model Landroida.	Skúste zmenšiť plochu kosenia alebo zvýšenie pracovnej doby
	Čepele sú tupé a nenabrúsené.	Vymeňte všetky čepele a skrutky, aby sa vyvážil žací kotúč.
	Výška kosenia je nastavená príliš nízko vzhľadom na dĺžku trávy.	Zvýšte výšku kosenia a potom postupne znižujte.
	Tráva alebo iné predmety sa omotali okolo žacieho kotúča.	Skontrolujte žací kotúč a odstráňte trávu alebo iné predmety, ktoré môžu brániť jeho otáčaniu.
	V žacom kotúči alebo skrini rámu motora môže byť nahromadená tráva.	Uistite sa, že sa žací disk voľne otáča. Môže byť potrebné demontovať žací kotúč a odstrániť zachytené drobné predmety.

Váš Landroid je vnútri svojej pracovnej oblasti a ohraničujúci vodič je pripojený, ale na displeji sa zobrazí 'Mimo pracovnú oblasť! Stlačením tlačidla START kosačku zresetujte	Konce ohraničujúceho drôtu sú nesprávne pripojené.	Zameňte konce ohraničujúceho drôtu a znova ich pripojte k nabíjacej stanici.
Nabíjanie trvá oveľa dlhšie ako by malo.	Nekvalitné pripojenie spôsobené drobnými predmetmi na nabíjacom pásiku.	Kontaktné kolíky na nabíjacej základni a nabíjací pásik na Landroide vyčistíte handričkou.
	V dôsledku vysokej teploty sa aktivovala funkcia ochrany nabíjania.	Umiestnite nabíjaciu základňu do tieňa alebo počkajte, kým teplota neklesne.
Kosačka sa nenabíja.	Žiadne napájanie.	Skontrolujte, či je napájací kábel správne pripojený k nabíjačke a či je nabíjačka zapojená do vhodnej elektrickej zásuvky. Skontrolujte, či sa nabíjacie pásiky na kosačke dotýkajú strednej časti kontaktných pásikov na nabíjacej základni.
Landroid na jedno nabitie vydrží príliš krátko.	Žací kotúč niečo upcháva, čo spôsobuje trenie a zvyšuje spotrebu.	Demontujte žací kotúč a vyčistite ho. Tráva je možno príliš vysoká a príliš hustá.
	Landroid sa nadmerne trasie z dôvodu nevyváženého žacieho kotúča.	Skontrolujte žací kotúč a čepele a odstráňte drobné a cudzie predmety z čepeľí a žacieho kotúča. Vymeňte čepele za nové.
	Batéria môže byť vybitá alebo opotrebovaná.	Vymeňte batériu.
	Pracovný čas vypršal	resetujte pracovný čas
Landroid nepracuje v správnom čase.	Hodiny nie sú nastavené na správny čas.	Nastavte hodiny na správny čas.
	Naprogramované časy kosenia pre Landroid nie sú správne.	Zmeňte nastavenia spustenia a skončenia kosenia.
	Percento týždenného času spustenia nastaveného APP sa zmenilo	Pomocou aplikácie APP nastavte správne percento.
Landroid nedokáže správne vojsť do nabíjacej základne.	Vplyvy prostredia.	Reštartujte Landroid.
	Nekvalitné pripojenie spôsobené drobnými predmetmi na nabíjacom pásiku.	Kontaktné kolíky na nabíjacej základni a nabíjací pásik na Landroide vyčistíte handričkou.
Zelená kontrolka na nabíjacej základni sa rozsvieti pred dokončením nabíjania.	nabíjacia základňa sa prehrieva alebo podchladzuje	Nabíjací základňu umiestnite do tienistého miesta alebo počkajte, až dosiahne normálnej teploty
Kolieska Landroida sa kĺžu alebo opakovane prešmykujú.	Cudzie prekážky, napríklad prútiky alebo konáre, sú možno zachytené pod Landroidom.	Odstráňte cudzie predmety spod Landroida.
	Trávnik je príliš mokrý.	Počkajte, kým trávnik uschne.
Landroid zachádza mimo ohraničujúceho drôtu. Landroid nekosiť oblasť v rámci zóny ohraničujúceho drôtu. Landroid nepravidelne cúva alebo sa otáča v blízkosti ohraničujúceho drôtu.	Ohraničujúci drôt iného Landroida alebo inej robotičkej kosačky je umiestnený príliš blízko.	Dbajte na to, aby medzi vašim a susedovým ohraničujúcim drôtom bola vzdialenosť aspoň 1 meter.
	Za mokra môže elektrický signál ohraničujúceho drôtu unikať na miestach nesprávneho spoja alebo opravy.	Skontrolujte spoje ohraničujúceho drôtu. Zaizolujte, aby bol spoj dokonale vodotesný.
	Elektrický signál ohraničujúceho drôtu uniká z dôvodu poškodennej izolácie.	Opravte poškodený ohraničujúci drôt dodávanými spojkami.
Landroid sa zošmykuje z pracovnej oblasti pri jazde z kopca.	Nízka priľnavosť hnacích koliesok Landroida.	Skontrolujte, či sú kolieska čisté a bez blata, aby sa dosiahla maximálna možná priľnavosť.

Operačný systém Landroida zlyháva pri nabíjaní alebo v pohotovostnom režime.	Chyba softvéru alebo displeja.	Reštartujte Landroid.
Landroid sa po zaparkovaní v nabíjacej základni vypne.	Landroid sa nenabíja z dôvodu ochrany pri vysokej teplote a vypne sa.	Umiestnite nabíjaciu základňu do tieňa alebo počkajte, kým teplota neklesne.
	Nekvalitné spojenie.	Skontrolujte kontrolku na nabíjacej základni. Skontrolujte spojenie medzi kontaktnými kolíkmi na nabíjacej základni a nabíjacím pásikom.
Landroid sa zastaví v pracovnej oblasti.	V pracovnej oblasti sa nachádza prekážka.	Odstráňte prekážku z pracovnej oblasti Landroida.
	Výška kosenia je nastavená príliš nízko vzhľadom na dĺžku trávy alebo tráva je príliš hustá.	Zvýšte výšku kosenia a potom postupne znižujte.
	Dĺžka predĺženého ohraničujúceho drôtu nesmie presiahnuť 300m, inak môže dochádzať k problému so signálom.	Zmenšite dĺžku ohraničujúceho drôtu.
	Vzdialenosť medzi stredom trávniku a ohraničujúcim drôtom by nemala presiahnuť 25 m, inak môže dochádzať k útlmu signálu.	Zmenšite vzdialenosť medzi stredom trávniku a obvodom ohraničujúceho drôtu na menej ako 25 metrov.
Landroid sa prevracia.	Na trávniku sa nachádza šikmá prekážka.	Vylúčte prekážku z pracovnej oblasti Landroida.
Landroid sa nedokáže pripojiť na internet.	Skontrolujte nastavenia smerovača.	Uistite sa, že smerovač pracuje v pásme 2,4 GHz. Ak je smerovač dvojpásmový, zapnite aj pásmo 2,4 GHz. Uistite sa, že smerovač je v režime 802.11 a nastavenie bezdrôtového pripojenia je b/g/n mixed. Uistite sa, že smerovač má pri pripájaní zariadenia k aplikácii zapnuté vysielanie prístupového bodu (SSID Broadcast). Po úspešnosti pripojení ho môžete vypnúť. Uistite sa, že funkcia DHCP je zapnutá. Ak zmeníte sieť Wi-Fi, musíte Landroid pripojiť k novej sieti. Ak máte smerovač Fritz!box, aktivujte v nastaveniach možnosť Allow communication between devices in same network (Povoliť komunikáciu zariadení v tej istej sieti).
	Skontrolujte, či je router odpojený alebo či je zmenené SSID WIFI	Uistite sa, že je router pripojený a či je WIFI SSID správne
Keď nastavíte "Mesiac / Hodina / Minúta", váš Landroid zapípa,	Toto je normálne	proti smeru hodinových ručičiek  a upravte.

Ochrana životného prostredia

 Elektrické výrobky neslobodno likvidovať spolu s domácim odpadom. Recyklujte v zberných miestach na tento účel zariadených. O možnosti recyklácie sa informujte na miestnych úradoch alebo u predajcu.

PREHLÁSENIE O ZHODE

My,
Positec Germany GmbH
Grüner Weg 10, 50825 Cologne, Germany

V mene spoločnosti Positec vyhlasujeme, že produkt

Popis **Robotická kosačka**

Typ **WR165E WR167E WR147E.1 WR148E (100-199 - označenie strojového zariadenia, zástupca robotická kosačka) (Sériové číslo sa nachádza na zadnej strane) s nabíjačkou akumulátorov WA3775 / WA3776 / WA3750.1/ WA3755.1 a nabíjacou základňou WA4002.1**

Funkcia **Kosenie trávy**

Spĺňa požiadavky nasledujúcich smerníc,

2006/42/EC, 2014/30/EU, 2014/35/EU, 2011/65/EU&(EU)2015/863, 2000/14/EC v novelizácii 2005/88/EC, 2014/53/EU

WR165E WR167E

2000/14/EC v novelizácii 2005/88/EC

- Postup pre posudzovanie zhody podľa
- Meraná úroveň akustického výkonu
- Deklarovaná úroveň akustického výkonu

Prílohy V
65.5 dB (A)
67 dB (A)

WR147E.1 WR148E

2000/14/EC v novelizácii 2005/88/EC

- Postup pre posudzovanie zhody podľa
- Meraná úroveň akustického výkonu
- Deklarovaná úroveň akustického výkonu

Prílohy V
61.56 dB (A)
63 dB (A)

Poverený úradný orgán

Názov: Intertek, Semko AB (úradná vyhláška0413)

Adresa: Torshamnsgatan 43164 22 Kista Sweden

Číslo certifikátu: 201002326SHA-V1

Spĺňa požiadavky noriem,

EN 60335-1:2012+A11+A13+A1+A14+A2:2019, EN 50636-2-107:2015+A1+A2:2020, EN 60335-2-29:2004+A2+A11:2018, EN 62233:2008, EN 55014-1:2017+A11:2020, EN 55014-2:2015, EN IEC 61000-3-2:2019, EN 61000-3-3:2013+A1:2019, EN ISO 3744:2005, EN 300 328 V2.2.2, EN 301 489-1 V2.2.3, EN 301 489-17 V3.2.4, EN IEC 62311:2020, EN 61558-1:2005+A1:2009, EN 61558-2-16:2009+A1:2013, EN 55011:2016+A11:2020, EN 303 447 V1.1.1, EN 55032:2015+A11:2020, EN 55035:2017+A11:2020

Nižšie uvedená osoba je zodpovedná za správnosť technických údajov,

Meno Marcel Filz

Adresa Positec Germany GmbH, Grüner Weg 10, 50825 Cologne, Germany



2020/12/02

Allen Ding

Zástupca vrchnej konštrukčnej kancelárie, Testovanie & Certifikácia

Positec Technology (China) Co., Ltd

18, Dongwang Road, Suzhou Industrial

Park, Jiangsu 215123, P. R. China

VARNOST IZDELKA SPLOŠNA IN DODATNA VARNOSTNA NAVODILA

⚠ OPOZORILO Preberite vsa varnostna opozorila in navodila. Neupoštevanje opozoril in navodil lahko privede do električnega udara in/ali resnih poškodb.

Pred uporabo si pazljivo preberite navodila za varno obratovanje naprave.

Vsa opozorila in navodila si shranite za kasnejšo uporabo.

- Te naprave naj ne bi uporabljale osebe (vključno z otroci) z zmanjšanimi fizičnimi, senzoričnimi ali mentalnimi zmožnostmi, oziroma brez izkušenj ali ustreznega znanja, razen, če niso prejeli ustreznih navodil, oziroma jih je o načinu uporabe predhodno podučila oseba, ki je odgovorna za njihovo varnost.
- Otroke morate ustrezno podučiti in nadzorovati, da se ne bodo igrali z napravo.
- Baterijo v tej napravi lahko zamenja samo strokovno osebje.

OPOZORILO: Za polnjenje baterije uporabite samo odstranljivo napajalno enoto, ki je priložena napravi.

OPOZORILO: Za zmanjšanje nevarnosti poškodb oseb in poškodbe stroja, baterijskega sklopa ne odstranjujte pred izklopom stroja.

POMEMBNO

PRED UPORABO OBVEZNO PREBERITE SHRANITE ZA KASNEJŠO UPORABO

Varna uporaba

Usposabljanje

- a) Pazljivo preberite navodila. Poskrbite, da boste dobro seznanjeni z navodili in krmilnimi elementi ter s samo uporabo naprave;
- b) Nikoli ne dovolite, da bi osebe, ki niso ustrezno seznanjene s temi navodili ali otroci uporabljali to napravo. Lokalni predpisi lahko tudi predpisujejo starost uporabnika naprave;
- c) Uporabnik naprave je odgovoren za vse nesreče ali škodo, ki se pripeti drugim ali njihovi lastnini.

Priprava

- a) Poskrbite za pravilno in z navodili skladno namestitev žice za omejitev.
- b) Občasno preglejte območje uporabe naprave in odstranite morebitne kamne, palice, žice, kosti ali druge moteče predete.
- c) Občasno tudi vizualno preglejte rezila, pritrdilne vijake rezil ter sestav rezalnika glede obrabljenosti in poškodb. Obrabljena ali poškodovana rezila in vijake obvezno zamenjajte in tako zagotovite ustrezno uravnoteženost.
- d) Pri več-vretenskih napravah pazite, saj se zaradi obrata enega vretena lahko obrne tudi drugo.
- e) **OPOZORILO!** Kosilnice ne smete uporabljati, če nima nameščenega zaščitnega varovala.

Delovanje

1. Splošno

- a) Naprave nikoli ne uporabljajte, če ima poškodovana zaščitna varovala ali drugih varnostnih delov, kot so deflektorji;
- b) Nikoli ne postavljajte rok ali stopal blizu ali pod vrteče se dele. Odprtine za izmet naj bodo vedno čiste;
- c) Naprave nikoli ne dvigujte ali je prenašajte, če motor deluje;
- d) Na napravi aktivirajte enoto za blokado delovanja;
 - Pred čiščenjem zagozdenega dela;
 - Pred preverjanjem, čiščenjem ali delom na napravi;
- e) Nikoli ne smete predelovati originalne zasnove robotske kosilnice. Vsakršno predelavo lahko opravite le na svojo odgovornost.
- f) Robotsko kosilnico lahko zaganjate le skladno z navodili. Ko je glavno stikalo v vklopljenem položaju dlani in stopal nikakor ne zadržujte blizu vrtečih se rezil. Dlani in stopal nikoli ne

- postavljajte pod kosilnico.
- g) Robotske kosilnice nikoli ne dvigajte ali prenašajte, če je stikalo za vklop v vklopljenem položaju.
 - h) Oseba, ki niso seznanjene s postopki uporabe robotske kosilnice, nikoli ne dovolite, da bi slednjo tudi uporabljale.
 - i) Na robotsko kosilnico ali na postajo za polnjenje nikoli ne postavljajte ničesar.
 - j) Nikoli ne uporabljajte robotske kosilnice, ki ima okvarjen rezalni kolut ali ohišje. Nikakor je tudi ne uporabljajte, če ima okvarjena rezila, vijake, matice ali napeljavo.
 - k) Če robotske kosilnice ne boste uporabljali, vedno izklopite glavno stikalo. Robotska kosilnica se lahko zažene le, če je glavno stikalo v vklopljenem položaju in je vnesen pravilni PIN.
 - l) Dlani in stopala imejte vedno proč od vrtečih se rezil. Medtem, ko robotska kosilnica deluje, nikoli ne segajte z rokami ali stopali blizu ali pod njeno ohišje.
 - m) V izogib uporabi stroja ter dodatkov v neustreznih vremenskih razmerah, še posebej kadar obstaja nevarnost nevihte s strelami.
 - n) Dokler se premikajoči se deli popolnoma ne zaustavijo, se jih ne dotikajte.
 - o) Za stroje, ki se uporabljajo na javnih površinah, se morajo ti opozorilni znaki postaviti okrog delovnega območja stroja. Obsegati morajo vsebino naslednjega besedila:
Opozorilo! Avtomatska kosilnica! Ne približujte se stroju! Nadzirajte otroke!

2. Dodatna opozorila pri samodejnem obratovanju

- a) Če veste, da se ali se bodo na območju košnje zadrževali domače živali ali ljudje, naprave nikoli ne pustite, da bi obratovala samodejno brez vašega nadzora.

Vzdrževanje in shranjevanje

OPOZORILO! Kadar robotsko kosilnico obrnete okoli, mora biti glavno stikalo v izklopljenem položaju.

Glavno stikalo mora biti v izklopljenem položaju tudi med vsakim posegom pod ohišjem robotske kosilnice, predvsem med čiščenjem ali menjavo rezil.

- a) poskrbite, da bodo vse matice in vijaki vedno dobro priviti, saj le tako zagotovite, da je naprava v varnem stanju;
- b) robotsko kosilnico preverjajte tedensko in takoj zamenjajte vse okvarjene ali obrabljene dele, kajti le tako boste zagotavljali varno delovanje;
- c) posebej pozorno preverite stanje rezalnega koluta in rezil. Če je treba, zamenjajte rezila in vijake hkrati, saj le tako lahko zagotovite, da bodo vrteči se deli ostali uravnoteženi.
- d) pri menjavi rezil pazite, da boste uporabili le takšne, ki ustrezajo specifikacijam;
- e) poskrbite, da bo akumulator vedno napolnjen, za polnjenje uporabljajte le predpisano vrsto polnilcev. Uporaba napačnega polnilca lahko povzroči električni udar, pregrevanje ali odtekanje korozivne tekočine iz akumulatorja;
- f) v primeru, da iz akumulatorja izteče korozivna tekočina, okuženo površino izperite z večjo količino vode/sredstva za nevtraliziranje, če pa tekočina pride v stik s kožo ali deli telesa, pa takoj poiščite zdravniško pomoč;
- g) servisiranje naprave morate vedno izvajati skladno z navodili proizvajalca.

Priporočila

Napravo in/sli njene dodatke lahko priklopite le v tokokrog, ki je ustrezno zavarovan z napravo za zaščito pred diferenčnim tokom (RCD) z največ 30 mA zaščito.

Preostala tveganja

Zaradi preprečitve poškodb, pri menjavi rezil uporabljate zaščitne rokavice.

Prevoz

Med prevažanjem robotske kosilnice na daljše razdalje, tega vedno namestite v originalno embalažo.

Za varno dostopanje na območje košnje ali njegovo zapuščanje:

- a) Pritisnite gumb STOP, da zaustavite delovanje kosilnice. PIN kodo ste določili ob prvem zagonu kosilnice.
- b) Če robotske kosilnice ne boste uporabljali, vedno izklopite glavno stikalo.
- c) Kosilnico prenašajte tako, da jo držite za ročaj na sprednji. Med prenašanjem naj bo rezalni kolut obrnjen proč od vas.

Zahteve za izpostavljenost radijskim frekvencam

Da bi zadostili zahtevam glede izpostavljenosti radijskim frekvencam, je potrebno med to napravo in osebami med delovanjem te naprave vzdrževati razdaljo 200 mm ali več.

Da bi zagotovili skladnost, dejavnosti bližje od te razdalje niso priporočljive. Antena, ki jo uporablja ta oddajnik, ne sme biti v povezavi z nobeno drugo anteno ali oddajnikom.

Varnostna opozorila za akumulator

- a) **Ne razstavljajte, odpirajte ali odstranjujte celic akumulatorja.**
- b) **Pazite, da ne povzročite kratkega stika med kontaktoma akumulatorja. Akumulatorjev nikoli ne shranjujte v škatli ali predalu, kjer bi lahko prišlo do kratkega stika zaradi stika kontaktov s prevodnimi predmeti. Kadar akumulator ni nameščen v orodju, ga hranite proč od drugih kovinskih predmetov, kot so sponke za papir, kovanci, ključi, žebliji, vijaki ali drugi drobni kovinski predmeti, ki bi lahko omogočili stik med kontaktoma. Če pride do stika med kontaktoma akumulatorja, to lahko povzroči požar.**
- c) **Akumulatorja ne izpostavljajte vročini ali ognju. Poskrbite, da ne bo izpostavljen neposredni sončni svetlobi.**
- d) **Akumulatorja ne izpostavljajte mehanskim udarcem.**
- e) **Če opazite, da akumulator pušča, pazite, da tekočina ne bo prišla v stik z očmi. Če akumulatorska tekočina vseeno pride v stik z očmi, izperite prizadeto območje z obilo vode in poiščite zdravniško pomoč.**
- f) **Predvsem pa takoj poiščite medicinsko pomoč, če ste celico ali del akumulatorja zaužili.**
- g) **Akumulator shranjujte na čistem in suhem mestu.**
- h) **Če se akumulator zamaže, ga takoj očistite s čisto in suho krpo.**
- i) **Akumulator morate pred uporabo napolniti. Pri polnjenju akumulatorja vedno upoštevajte predpisana navodila in postopke.**
- j) **Če akumulatorja ne polnite, ga odstranite iz polnilca.**
- k) **Po daljšem obdobju skladiščenja, boste za dosego maksimalne zmogljivosti akumulatorja verjetno morali slednjega nekajkrat napolniti in izprazniti.**
- l) **Za polnjenje uporabljajte le polnilce, ki jih je predpisal Worx. Nikoli ne uporabljajte polnilnikov, ki niso posebej namenjeni za polnjenje vašega akumulatorja. Polnilec, ki je lahko primeren za polnjenje ene vrste akumulatorjev, lahko pri drugi povzroči nevarnost požara.**
- m) **Nikoli ne uporabljajte polnilcev, ki niso posebej zasnovani za polnjenje vašega akumulatorja.**
- n) **Akumulatorje shranjujte izven dosega otrok.**
- o) **Za podrobnosti, si oglejte gradivo, ki je bilo priloženo akumulatorju.**
- p) **Če orodja ne uporabljate, iz njega odstranite akumulator.**
- q) **Akumulatorje odlagajte skladno s predpisi.**
- r) **V napravi ne uporabljajte celic različnih proizvajalcev, zmogljivosti, velikosti ali tipa.**
- s) **Akumulator odstranite iz originalne embalaže šele, ko ga boste potrebovali.**
- t) **Upoštevajte znaka plus (+) in minus (-) na akumulatorju ter poskrbite za njegovo pravilno uporabo.**

INFORMACIJE O NAPRAVI LANDROID



OPOZORILO – robotska kosilnica je ob napačni uporabi lahko nevarna. Preden uporabite robotsko kosilnico, si pazljivo preberite navodila za uporabo.



OPOZORILO - Med obratovanjem naprave bodite od nje vedno oddaljeni.



OPOZORILO – Pred dviganjem ali delom na napravi vedno aktivirajte enoto za blokado delovanja.



OPOZORILO –Nikoli ne sedajte na robotsko kosilnico.



Li-Ion



Baterije Li-Ion Ta izdelek je označen s simbolom, ki se nanaša na 'ločeno zbiranje' za vse baterijske napajalnike in baterijski napajalnik. Nato bodo reciklirane ali razstavljene, da se zmanjša škodljiv vpliv na okolje. Baterijski napajalniki vsebujejo nevarne snovi in so zato lahko nevarni za okolje in za zdravje ljudi.



Prepovedano sežiganje



Če se z baterijo ne ravna pravilno, lahko pride v vodni krog, kar lahko povzroči škodo ekosistemu. Izrabljenih baterij ne odvrzite kot nesortirane komunalne odpadke.



Stroja ne razstavljajte brez dovoljenja



Odpadnih električnih naprav ne smete zavreči skupaj z ostalimi gospodinjstskimi odpadki. Dostavite jih na mesto za ločeno zbiranje odpadkov. Glede podrobnosti, se posvetujte z lokalno službo za ravnanje z odpadki.



Naprava razreda III



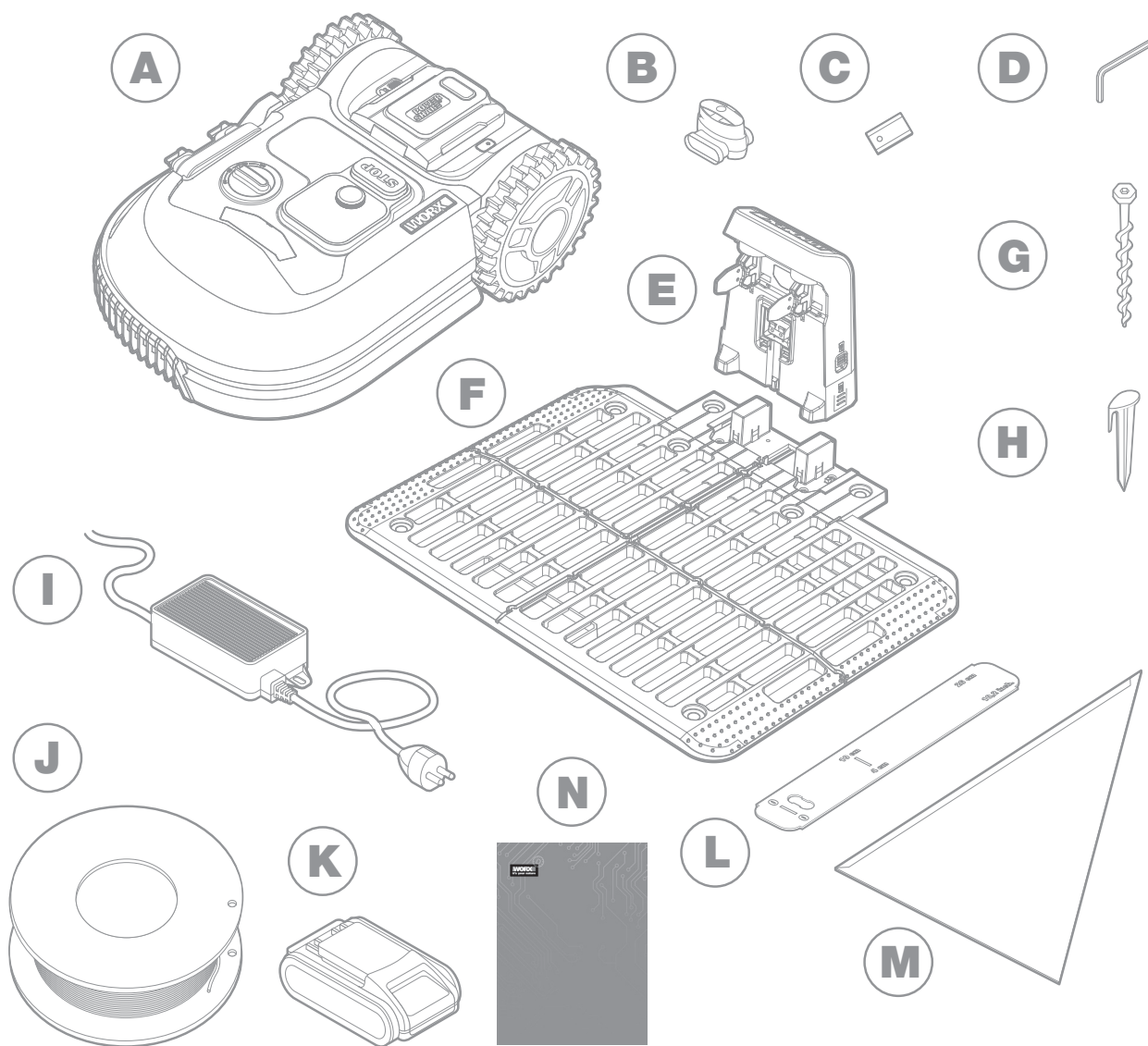
Preberite navodila za uporabo



Odstranljiva napajalna enota

Vaš Landroid se lahko uporablja z drugo funkcionalno dodatno opremo Worx. Obiščite www.worxlandroid.com, če želite izvedeti več o teh razpoložljivih možnostih dodatne opreme.

**SEZNAM DELOV
VSEBINA ŠKATLE**



Slika je samo za referenco

A Kosilnica worx Landroid

B Konektorja za popravilo žic

C Kompleti rezervnih rezil

D Šest robi ključ

E Polnilni kup

F Polnilna postaja

G Vijakov

H Žični zatiči

I Vir električnega napajanja

J Omejitveni kabel

K Baterija 20V

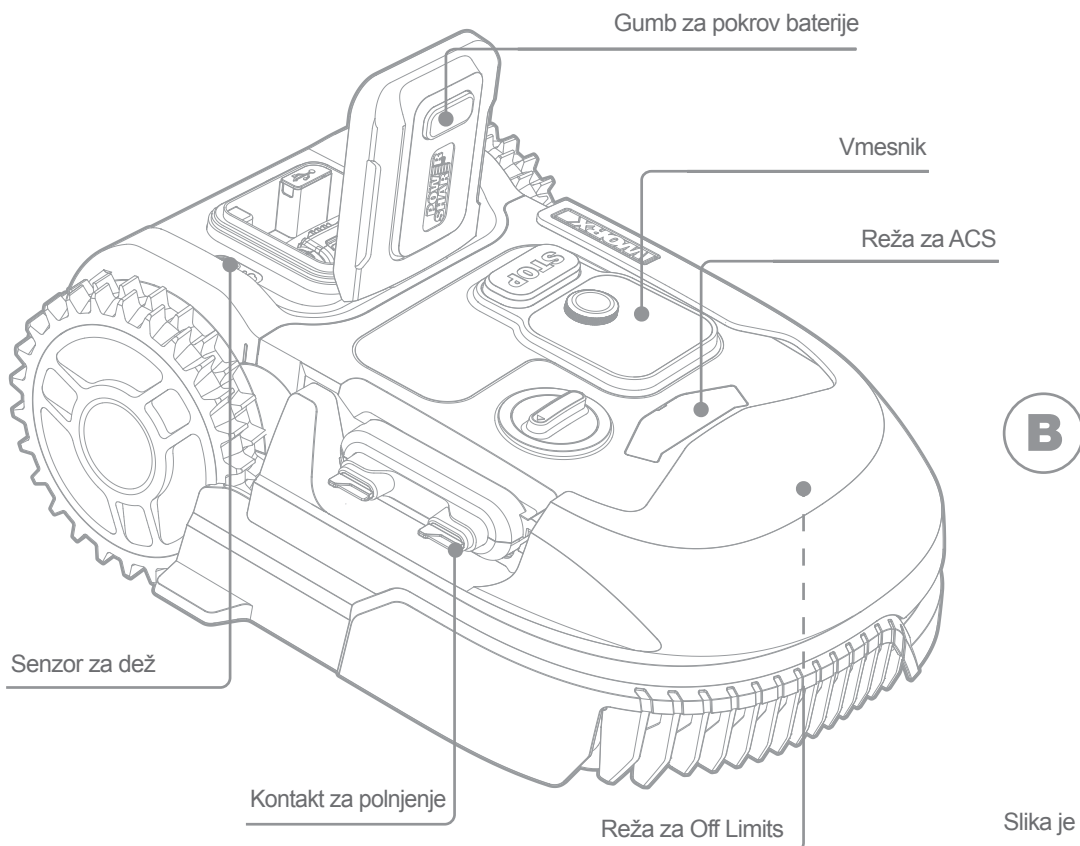
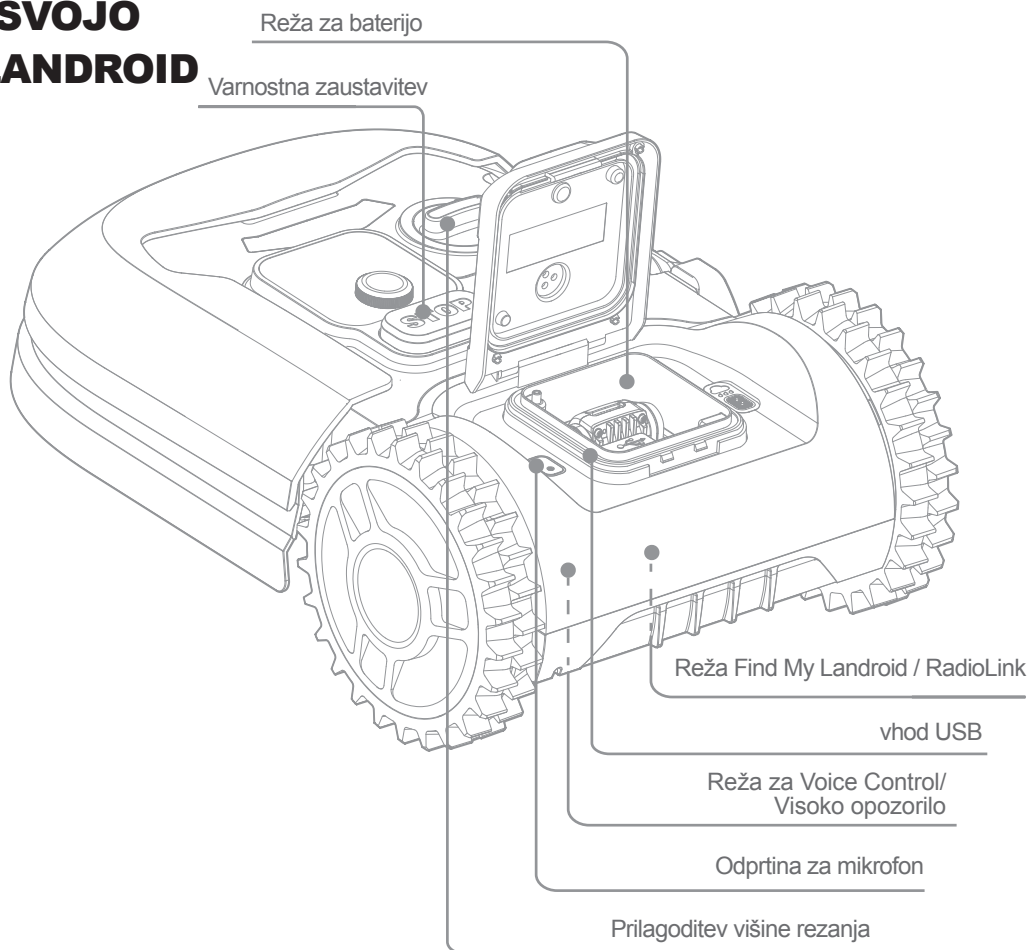
L Merilnika razdalje za omejitveni kabel

M Bertelsenovo ravnilo

N Priročnik

**SPOZNAJTE SVOJO
KOSILNICO LANDROID**

A



B

Slika je samo za referenco


TEHNIČNI PODATKI

Vrsta **WR165E WR167E WR148E WR147E.1(100-199 - oznaka naprave, predstavnik robotske kosilnice)**

	WR165E	WR167E	WR148E	WR147E.1
Nominalna napetost	20 V Max.*			
Št. vrt. v prostem teku (/min)	2800		2400	
Območje rezanja (m ²)	500	700	800	1000
Premer rezanja (cm)	18		20	
Višina rezanja (mm)	30-60			
Položaji višine rezanja	4			
Vrsta akumulatorja	Li-ion			
Model akumulatorja	WA3551.3	WA3553.3	WA3551.3	WA3553.3
Čas polnjenja pribl. (mins)	75	150	75	75
Model polnilca	WA3750.1/ WA3755.1			WA3775 / WA3776
Napetost polnilca	Vhod:100-240 V~50/60 Hz, 38 W, lešire: 20V , 1.5 A			Vhod:100-240 V~50/60 Hz, 90 W, lešire:20 V , 3.0 A
Teža naprave (kg)	9.5	9.8	11.7	12
Stopnja zaščite	III			
App(Wi-Fi/Bluetooth)	Y			
Frekvenčni pas vgrajenega WLAN modula	2.412GHz-2.484GHz			
Maksimalna radijsko-frekvenčna moč vgrajenega WLAN modula	802.11b:+16±2dBm(@11Mbps) 802.11g:+14±2dBm(@54Mbps) 802.11n:+13±2dBm(@HT20,MCS7)			
Frekvenčni pas sistema induktivne zanke	77 Hz			
Največja moč RF induktivne zanke	82 dBµA/m			

* Napetost merjena, ko naprava ni bila obremenjena. Začetna napetost akumulatorja dosega največ 20V. Običajna napetost je 18V.

HRUP IN TEHNIČNI PODATKI

	WR165E	WR167E	WR148E	WR147E.1
Vrednotena raven zvočnega tlaka	$L_{pA} = 45.5 \text{ dB(A)}$		$L_{pA} = 40.68 \text{ dB(A)}$	
	$K_{pA} = 0.6 \text{ dB(A)}$		$K_{pA} = 1.36 \text{ dB(A)}$	
Tehtana vrednost zvočne moči	$L_{wA} = 65.5 \text{ dB(A)}$		$L_{wA} = 61.56 \text{ dB(A)}$	
	$K_{wA} = 0.6 \text{ dB(A)}$		$K_{wA} = 1.36 \text{ dB(A)}$	
Če raven zvočnega tlaka presega 80dB (A), obvezno uporabljate zaščito za sluh.				

Določene ravni hrupa z naprave se ne morete izogniti. Poskrbite, da boste dela z višjo ravno hrupnosti načrtovali ob ustreznih trenutkih. Načrtujte tudi odmore, hkrati pa poskrbite za najkrajše možne čase delovanja. Upoštevajoč opriporočil az aosebno zaščito, naj prisotni uporabljajo predpisano zaščitno opremo za sluh.

PRIPOMOČKI

	WR165E	WR167E	WR148E	WR147E.1
Vijakov	9	9	9	9
Baza za polnjenje	1	1	1	1
Klinov za pritrditev baze za polnjenje	8	8	8	8
Žice za omejitvev	130m	150m	150m	180m
Klinov za žico	180	210	210	250
Šest robi ključ	1	1	1	1
Merilnik razdalje od meje košnje	2	2	2	2
Rezil	9	9	9	9
Spojnik	2	2	2	2
Akumulator (WA3551.3)	1	/	1	/
Akumulator (WA3553.3)	/	1	/	1
Polnilec(WA3750.1/ WA3755.1)	1	1	1	/
Polnilec (WA3775 / WA3776)	/	/	/	1

Priporočamo vam, da nadomestne dele kupujete v isti trgovini, kjer ste kupili orodje. Za podrobnosti si oglejte razlage na embalaži kompleta dodatkov. Pri odločanju o ustreznem dodatku, vam lahko pomaga tudi osebeje v trgovini.

NAMEN UPORABE

Ta naprava je namenjena domači uporabi. Zasnovan je za pogosto košnjo, zaradi česar bo vaša zelenica bolj zdrava in bo videti lepše kot kdajkoli. Odvisno od velikosti vaše zelenice, Landroid lahko programirate tako, da bo obratoval kadarkoli in kolikor pogosto želite, brez vsakršnih omejitev. Naprava ni namenjena za kidanje, pometanje ali čiščenje snega

VZDRŽEVANJE

Vaša kosilnica Landroid trdo dela, zato jo je treba od časa do časa očistiti in pregledati. Ta razdelek vodiča vam bo pomagal ohraniti kosilnico Landroid v dobrem stanju, da jo boste lahko brez težav uporabljali več let. Za svojo kosilnico Landroid poskrbite takole. Pred vsakim servisiranjem in vzdrževanjem izklopite napravo.

BRUŠENJE

Kosilnica Landroid trave ne kosi kot druge kosilnice. Rezila za košnjo so na dveh robovih ostra kot britev, vrtijo pa se v obe smeri in tako zagotavljajo kar najboljšo zmogljivost rezanja.

A. Disk, ki skrbi za vrtenje rezil, se vrti v smeri urinega kazalca ter v obratni smeri urinega kazalca, in sicer naključno, saj se tako zagotovi uporaba obeh robov rezila, zmanjša pa se tudi pogostost, s katero je treba zamenjati rezila

B. Vsako rezilo za košnjo boste lahko uporabljali dva meseca, če je kosilnica nastavljena tako, da kosi vsak dan

C. Vedno preverite, ali so rezila okrušena ali poškodovana, in jih v tem primeru zamenjajte

D. Če so rezila za košnjo topa in obrabljena, jih morate nadomestiti z rezervnimi rezili, ki so priložena vaši kosilnici Landroid.

Rezervna rezila so na voljo tudi pri vašem najbližjem trgovcu kosilnic Landroid.

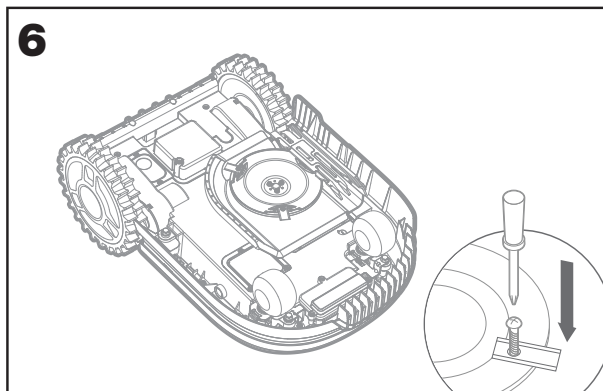
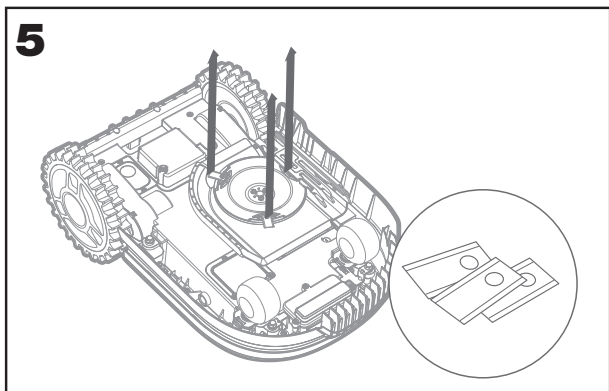
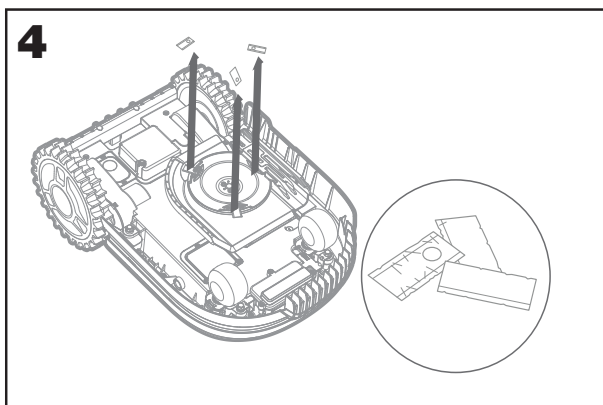
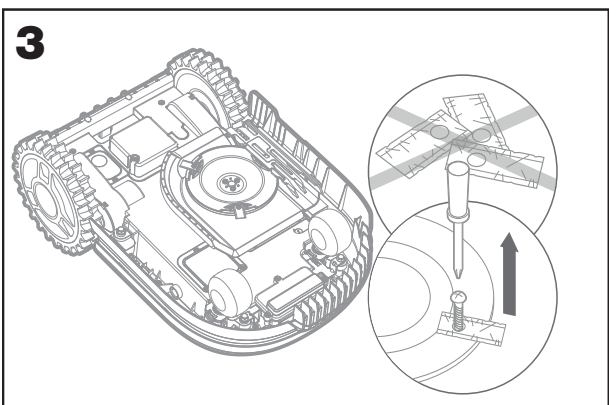
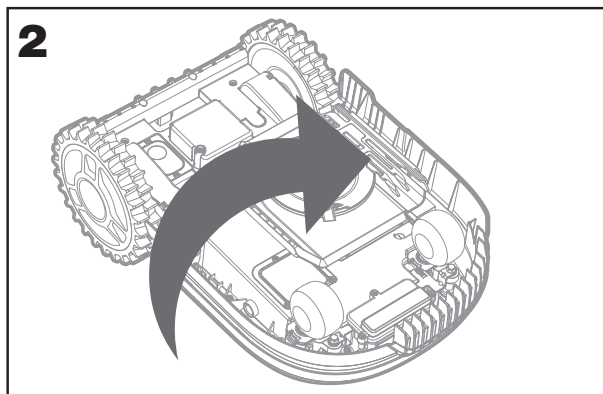
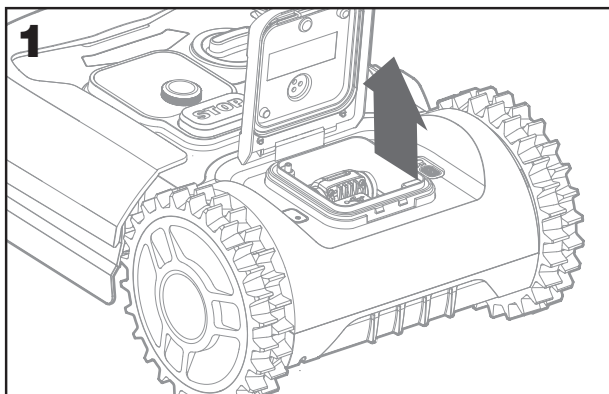
⚠ POZOR! Preden rezila čistite, prilagajate ali nadomeščate, izklopite svojo kosilnico Landroid in odstranite baterijo. Vedno nosite zaščitne rokavice.

1. Menjava rezil

Odstranite baterijo (slika 1) in nežno obrnite kosilnico Landroid na glavo (slika 2)

Odstranite vijake z rezil s pomočjo izvijača (sliki 3 - 4)

Trdno privijte nova rezila (sliki 5 - 6)



⚠ Pozor: Ko nameščate nova rezila, se prepričajte, da boste resnično nadomestili VSA rezila.

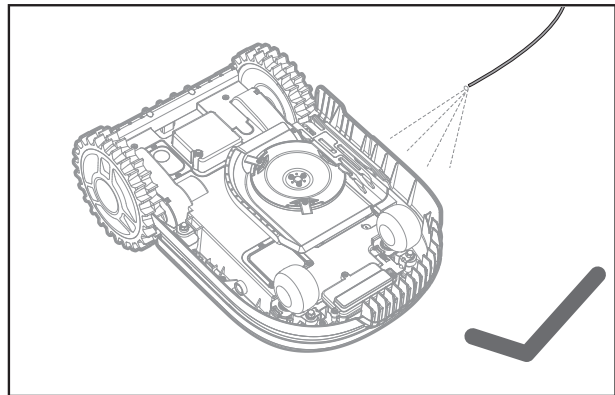
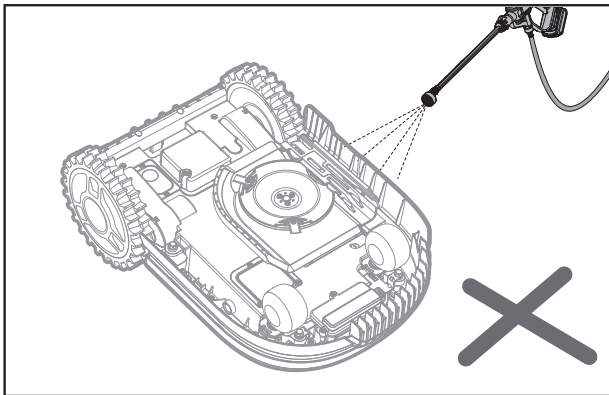
Ko nameščate rezila, vedno uporabite nove vijake. To je pomembno zato, ker se tako zagotovi, da bodo rezila ostala na mestu, postopek pa tudi uravnoteži disk za vrtenje rezil. Če ne uporabite novih vijakov, bo morda prišlo do resne poškodbe. Pomembno: Ko boste rezila pritrdili na disk za rezila, se prepričajte, da se rezilo lahko prosto vrti.

ČIŠČENJE

Kosilnico Landroid morate redno čistiti. Tako bo ostala v dobrem stanju, še posebno, če z nje redno odstranjujete umazanijo, ostanke in odvečno travo, ki se nabere ob vsakodnevni košnji. Pred čiščenjem ugasnite kosilnico Landroid. Kot dodatni varnostni ukrep odstranite baterijo.

⚠ Opomba: Pri čiščenju Landroid preverite, ali je pokrov baterije zaprt.

⚠ OPOZORILO! VAŠ Landroid lahko očistite samo s cevjo! Na Landroid NE uporabljajte tlačnega čistilnika. Voda pod visokim pritiskom lahko vstopi v notranjost tesnila in poškoduje elektronske in mehanske dele.



1. Čiščenje zgornjega ohišja

- A. Čistite z razpršilno stekleničko, napolnjeno z vodo. Ne uporabljajte topil ali lakov
- B. Za odstranjevanje umazanije, ki se nabere na ohišju, uporabite ščetko ali čisto krpo

2. Čiščenje spodnjega dela

- A. Kosilnico Landroid obrnite na glavo
- B. S pomočjo ščetke odstranite ostanke in odrezke trave
- C. Pazite, da se rezil ne dotaknete z rokami. Za zaščito nosite rokavice
- D. Z mehko krtačo ali vlažno krpo temeljito očistite disk za rezila, šasijo in sprednje/-a kolo/-esa
- E. Zavrtite disk za rezila in se prepričajte, da se prosto vrti. Odstranite morebitne ovire. Odstranite morebitne ostanke, ki so se zagostili med rezili, da disk za rezila zaradi njih ne bi počil. Celo najmanjša razpoka lahko vpliva na zmogljivost košenja
- F. Preverite, ali se rezila prosto vrtijo okrog vijakov za pritrjevanje. Odstranite morebitne ovire

3. Očistite kolesa pogona

- A. Odstranite blato izza koles s krtačko in tako zagotovite dober oprijem tal

4. Čiščenje stikov za polnjenje

- A. Stike za polnjenje, ki so nameščeni na polnilni postaji, ter polnilne trakove na kosilnici Landroid očistite s krpo
- B. Redno odstranjujte morebitne nabrane odrezke trave ali ostanke okrog stikov za polnjenje in polnilnih trakov, da tako zagotovite, da se bo kosilnica Landroid vsakokrat uspešno napolnila

POLNJENJE

Osrčje kosilnice Landroid predstavlja baterija 20 V Li-Ion Worx Powershare.

- A. Za ustrezno shranjevanje baterije se prepričajte, da je do konca napolnjena, potem pa jo hranite v hladnem in suhem prostoru
- B. Priporočena temperatura delovanja kosilnice Landroid je med 0-55 °C
- C. Življenjska doba baterije kosilnice Landroid je odvisna od števila ur uporabe in trajanja vsakodnevne uporabe med kosilno sezono.

1. Kosilnico Landroid lahko napolnite ročno brez ozemljitvenega kabla

- A. Polnilno postajo povežite z ustreznim virom napajanja. Vključila se bo zelena lučka na polnilni postaji
- B. Kosilnico Landroid ročno zaparkirajte v polnilno postajo, ko bo kosilnica izklopljena
- C. Zelena lučka na polnilni postaji bo začela utripati, kosilnica Landroid pa se bo začela polniti

SHRANJEVANJE ČEZ ZIMO

Čeprav je kosilnica Landroid zasnovana in zgrajena tako, da lahko preživi tudi najhujše vremenske razmere, vam kljub temu priporočamo, da jo pozimi shranite v lopi ali v garaži. Priprava kosilnice na zimsko spanje:

- A. Temeljito jo očistite
- B. Do konca napolnite baterijo
- C. Izklopite kosilnico

1. Ponoven pričetek dela spomladi

Ko bo čas za ponoven pričetek dela kosilnice Landroid v novi sezoni, najprej izvedite naslednje preglede:

- A. S pomočjo aplikacije posodobite nastavitve časa in datuma
- B. Če opazite sledove rje na polnilnih stikih kosilnice Landroid in na polnilni postaji, jih očistite s fino brusilno krpo
- C. Baterijo kosilnice Landroid pred uporabo do konca napolnite

POSODABLJANJE

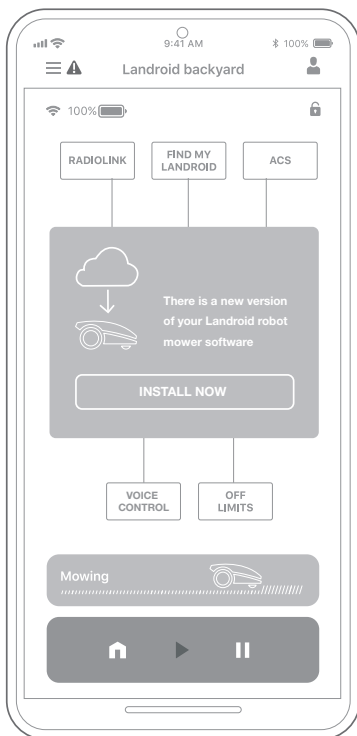
Kosilnica Landroid se nenehno izboljšuje, nove različice programske opreme pa so na voljo brezplačno. Programsko opremo kosilnice Landroid vedno posodablajte, saj boste le tako lahko iz svoje naprave pridobili kar največ.

1. Posodobite Over-the-Air (OTA)

Če je kosilnica Landroid povezana z vašim omrežjem Wi-Fi, boste preko aplikacije obveščeni, da je na voljo nova programska oprema. Ko potrdite prenos, se bo programska oprema posodobila samodejno s pomočjo funkcije Over-the-Air.

2. Preverite različico programske opreme, ki jo imate

Številka različice programske opreme je razvidna, ko je Landroid vklopljen.



3. Ročne posodobitve

- A. Če kosilnica Landroid ni povezana z vašim omrežjem Wi-Fi, jo lahko kljub temu posodobite na najnovejšo različico programske opreme s pomočjo USB-ključka
- B. Redno obiskujte spletno stran podjetja Worx Landroid in preverjajte, če je morda na voljo nova različica. Če ste prijavljeni na poštni seznam Landroid, boste obveščeni, ko bo na voljo nova različica
- C. Na naši spletni strani prenesite najnovejšo različico
- D. Vzemite prazen USB-ključek, ki je formatiran za format FAT32
- E. Shranite datoteko ZIP in vsebino ekstrahirajte na ključek USB
- F. Kosilnico Landroid namestite na varno in ravno površino
- G. Izklopite kosilnico Landroid
- H. Na zadnjem delu kosilnice Landroid poiščite vhod USB. Če želite videti, kje se nahaja
- I. Vstavite USB-ključek v vhod
- J. Ponovno položite kosilnico Landroid na trato v delovno območje, ki ga omejuje omejitveni kabel

K. Vključite kosilnico Landroid

L. Odstranite pomnilniški ključ USB, ko "Prosimo, odstranite ključ USB", ne da bi dvignili Landroid.

M. Posodobitev se bo pričela samodejno in lahko traja nekaj časa. Kosilnica Landroid se bo samodejno ponovno zagnala, ko bo posodobitev zaključena

OPOMBA: Ko boste kosilnico Landroid ponovno zagnali, se prepričajte, da je to pot znotraj omejitvenega kabla.

SPOROČILA O DELOVANJU

SPOROČILO LANDROID AKCIJA	SPOROČILO LANDROID AKCIJA
Košnja trave	Košnja trave po urniku košnje.
Dežuje	Senzor za dež zazna vodo. Landroid se vrne na Polnilno postajo in ostane v tem položaju, dokler ni programiran. Po sušenju bo Landroid samodejno zagnal odštevanje zakasnitve dežja in se nato vrnil v stanje košnje. Če želite Landroid pokositi pred tem, ga samo izklopite in nato znova vključite, vendar šele, ko je senzor za dež suh, ali pa lahko zakasnitev dežja popolnoma odpravite tako, da nastavite čas zakasnitve dežja na nič.
Pridi nazaj domov	Treba ga je napolniti - rezilo se ustavi na poti do podnožja
Polnjenje	Prikažite "Polnjenje" in odstotek napoljenosti.
Brez delovnega časa	V pripravljenosti, ga je treba programirati po potrebi.
Danes ne dela	Pripravljenost se začne v skladu z urnikom košnje.
Delo opravljeno danes	
Iskanje po območju	Glede na nastavitve »Delovni prostor po meri« Landroid išče
Končano polnjenje	Landroid je zaključil polnjenje.
Polnjenje v sili	Polnjenje v sili Landroid se polni v izklopljenem stanju.

SPOROČILA O NAPAKAH

Včasih gre lahko kaj narobe. Na srečo je kosilnica Landroid dovolj pametna, da vam sporoči, če se sooča s težavo, ki jo lahko vi nato popravite. Če ste v dvomih, si oglejte našo spletno stran, kjer boste našli uporabne videoposnetke in nadaljnjo podporo.

SPOROČILO	VZROK	DEJANJE
	Pokrov baterije ni zaprt	Zaprte pokrov baterije
Outside working area! Press START to reset.	Kosilnica Landroid ne najde signala omejitvenega kabla.	1. Če je kosilnica Landroid dejansko zunaj svojega delovnega območja: izklopite napajanje, odnesite kosilnico Landroid v njeno delovno območje, vklopite napajanje in pritisnite START. 2. Če je kosilnica Landroid v delovnem območju, preverite, ali lučka LED v polnilni postaji sveti zeleno. Če sveti rdeče, preverite, ali je omejitveni kabel ustrezno povezan s polnilno postajo in ali je postaja povezana z ustreznim virom napajanja. Če sta primerno povezana, to pomeni, da so terminali omejitvenega kabla pripeti narobe in jih je treba obrniti.
WRONG PIN! Please retry.	Napačna koda PIN.	Vnesite pravilno kodo PIN ali ponastavite kodo PIN.
Blade motor fault! Press START to reset.	Disk za rezilo je zablokiran zaradi predmeta, npr. veje.	Izklopite vir napajanja. Obrnite kosilnico Landroid na glavo in preverite, ali rezilu karkoli preprečuje vrtenje, ter nato odstranite morebitne ovire. Kosilnico Landroid spet obrnite pravilno. Vklopite vir napajanja. Pritisnite START.
	Rezilo je preobremenjeno zaradi debele, goste trave.	Izklopite vir napajanja. Odnosite kosilnico Landroid na območje s kratko travo ali prilagodite višino košnje na višjo nastavitev. Vklopite vir napajanja. Pritisnite START.
Wheels motor fault! Press START to reset.	Motor kolesa je z nečim zablokiran.	Izklopite vir napajanja in kosilnico Landroid odnesite v območje, kjer ni ovir. Vklopite vir napajanja. Pritisnite START. Če se sporočilo o napaki še vedno pojavlja, izklopite vir napajanja. Obrnite kosilnico Landroid na glavo in preverite, ali je prisotno karkoli, zaradi česar se kolesa morda ne bi vrtela. Odstranite morebitne ovire, kosilnico Landroid spet obrnite pravilno in vklopite vir napajanja.
Upside down! Press START to reset.	Do tega bi lahko prišlo, če bi kosilnica Landroid prišla v stik z nagnjeno površino in se zato prevrnila.	Kosilnico Landroid obrnite pravilno in odstranite morebitne ovire, zaradi katerih bi se bila kosilnica Landroid morda lahko prevrnila.
Mower trapped! Press START to reset.	Kosilnica Landroid je dvignjena.	Izklopite vir napajanja. Odnosite kosilnico Landroid na območje trate, kjer ni ovir, nato pa vklopite vir napajanja. Pritisnite START. Če se sporočilo o napaki še vedno pojavlja: izklopite vir napajanja in obrnite kosilnico Landroid na glavo. Preverite, ali je prisotno karkoli, zaradi česar se kolesa morda ne bi vrtela. Odstranite morebitne ovire, kosilnico Landroid spet obrnite pravilno in vklopite vir napajanja.
Mower lifted! Press START to reset.	Kosilnica Landroid je dvignjena.	Izklopite vir napajanja. Kosilnico Landroid odnesite na območje, v katerem ni ovir, in vklopite vir napajanja. Pritisnite START. Če se sporočilo o napaki še vedno pojavlja: izklopite vir napajanja in obrnite kosilnico Landroid na glavo ter preverite, če bi lahko bilo prisotno karkoli, zaradi česar bi se bila kosilnica Landroid lahko dvignila. Odstranite morebitne predmete, kosilnico Landroid spet obrnite pravilno in vklopite vir napajanja.
Battery voltage too low! Please change battery.	Baterija je prazna.	V tem primeru morate kosilnico Landroid izklopiti in jo položiti v polnilno postajo, nato pa se bo pojavil napis „Polnjenje v sili“ in kosilnica se bo začela polniti. Če se napaka baterije še ponavlja, je baterija poškodovana in jo morate zamenjati.
Wire missing! Press START to reset.	Naprava ne zazna signala omejitvenega kabla.	Če je lučka LED rdeča, preverite, ali je omejitveni kabel ustrezno povezan s spojki v polnilni postaji. Če do težave še naprej prihaja, preverite, da ni omejitveni kabel morda prerezan.

Battery temperature out of range! Please wait.	Med polnjenjem je temperature previsoka (več kot 55°C) ali prenizka (manj kot 0°C).	Polnilno postajo postavite v senco oziroma počakajte, da doseže obratovalno temperaturo.
Can't find charge station press START to reset.	Omejitveni kabel sega dlje od svoje najdaljše dolžine (350 m) ali pa naprava ni dovolj napolnjena, da bi se lahko vrnila v polnilno postajo.	Kosilnico Landroid odnesite v polnilno postajo.
Mower locked!	Ko je omogočena funkcija 'Lock Function', se vaša kosilnica Landroid kot varnostni ukrep zaklene, če 3 dni ne prejme signala vašega Wi-Fi usmerjevalnika. Do tega lahko pride, ker je usmerjevalnik izgubil svoj domet, ali pa ste morda zamenjali usmerjevalnik Wi-Fi ali ponudnika internetnih storitev.	Ponovno povežite kosilnico Landroid z omrežjem Wi-Fi, s katerim je bila izvorno združena. Če to ni mogoče, stopite v stik s službo za pomoč uporabnikom.

OPOMBE

- A. Preden vklopite vir napajanja, se vedno prepričajte, da je kosilnica Landroid v svojem delovnem območju. Če temu ne bo tako, se bo pojavilo sporočilo "Outside working area! Press START to reset". To sporočilo se bo pojavilo tudi, če je kosilnica Landroid v svojem delovnem območju le delno, ne pa v celoti
- B. Če želite iz katerega koli razloga (npr. zabava, otroške igre) kosilnico Landroid parkirati v polnilno postajo: pritisnite možnost Domov, nato pa OK. Kosilnica Landroid se bo vrnila v svojo polnilno postajo in bo tam tudi ostala. Ne pozabite, da bo kosilnica Landroid sedaj počakala do naslednje načrtovane seje košenja. Če želite kosilnico kadar koli ponovno zagnati, pritisnite START, nato pa OK, in kosilnica Landroid se bo zagnala
- C. Če do iste napake nenehno prihaja v istem območju trate, gre morda za težavo z omejitvenim kablom, zato si oglejte navodila za namestitvev in z njihovo pomočjo preverite, ali je bila namestitvev pravilno izvedena
- D. Če je vaša trata razdeljena na dve ločeni območji, ki sta povezani s koridorjem, ki je ožji od 1 m, pri čemer v enem od omenjenih območij ni polnilne postaje: ko se kosilnica Landroid izprazni, jo ročno odnesite do polnilne postaje
- E. Če kosilnica Landroid občasno ne deluje pravilno, jo ponastavite, in sicer tako, da jo ugasnete in nato za 30 sekund odstranite baterijo, za tem pa jo ponovno prižgete. Če se težave ne da odpraviti, stopite v stik z našo službo za pomoč uporabnikom, ki vam bo pomagala

ODPRAVLJANJE NAPAK


Če vaša kosilnica Landroid ne deluje pravilno, si oglejte spodnji vodič po odpravljanju napak. Če se napaka še naprej pojavlja, stopite v stik z našo službo za pomoč uporabnikom.

SIMPTOM	VZROK	REŠITEV
Lučka LED na polnilni postaji se ne vklopi.	Ni vira napajanja.	Preverite, ali je polnilna postaja pravilno povezana s polnilcem in ali je polnilec povezan s primernim virom napajanja.
Na polnilni postaji sveti rdeča lučka.	Omejitveni kabel ni povezan.	Preverite, ali je bil omejitveni kabel ustrezno povezan s polnilno postajo. Preverite, da v omejitvenem kablu ni premorov.
Kosilnica Landroid se prižge, disk za rezila pa se ne vrti.	Kosilnica Landroid išče polnilno postajo.	To je običajen pojav: ko se mora kosilnica Landroid napolniti, se disk za rezila ne vrti, medtem ko samodejno išče polnilno postajo.
Kosilnica Landroid vibrira.	Disk za rezila je neuravnotežen. Rezila so morda poškodovana.	Preverite rezila in jih zamenjajte, če so poškodovana. Odstranite ostanke in tujke iz rezil in diska za rezila.
Trava se kosi neenakomerno.	Kosilnica Landroid trave ne kosi dovolj ur dnevno.	Poskusite z dodajanjem večjega števila ur v urnik košnje.
	Območje košnje je preveliko za velikost kosilnice Landroid, ki jo imate.	Poskusite zmanjšati velikost območja košnje ali povečanja obratovalnega časa
	Rezila so toga in neostra.	Zamenjajte vsa rezila in vijake in tako poskusite uravnotežiti disk za rezila.
	Višina košnje je nastavljena prenizko glede na višino trave.	Povišajte višino košnje, nato pa jo postopoma znižajte.
	Okrog diska za rezilo je ovita trava ali kaj drugega.	Preverite disk za rezilo in odstranite morebitno travo in druge predmete, ki bi mu lahko preprečili vrtenje.
	Na disku za rezila ali ohišju za okvir motorja se nabira trava.	Prepričajte se, da se disk za rezila zlahka vrti. Po potrebi lahko odstranite disk za rezila in nato odstranite ostanke.

Vaš Landroid je znotraj delovnega območja in mejna žica je povezana, vendar na zaslonu piše "Izven delovnega območja! Za ponastavitev pritisnite START"	Konci omejitvenega kabla niso pritrjeni pravilno.	Obrnite konce omejitvenega kabla in jih ponovno povežite s polnilno postajo.
Čas polnjenja traja mnogo dlje od ocenjenega časa polnjenja.	Slaba povezljivost, ki jo povzročajo ostanki na polnilnem traku.	Stike za polnjenje, ki so nameščeni na polnilni postaji, ter polnilne trakove na kosilnici Landroid očistite s krpo.
	Zaradi visokih temperatur je vklopljen program za zaščito polnjenja.	Polnilno postajo namestite na senčno lego ali počakajte, da temperatura pade.
Kosilnica se ne polni.	Ni vira napajanja.	Preverite, ali je napajalni kabel pravilno povezan s polnilcem in ali je polnilec povezan s primernim virom napajanja. Prepričajte se, da se oba polnilna trakova na kosilnici dotikata središča stikov za polnjenje na polnilni postaji.
Kosilnica Landroid med dvema polnilnima sejama deluje vse manj časa.	Disk za rezila je z nečim zamašen, kar povzroča trenje in zvišuje porabo energije.	Odstranite disk za rezila in ga očistite. Morda je trava previsoka in predebela.
	Kosilnica Landroid se močno trese, ker je disk za rezila neuravnotežen.	Preverite disk za rezila in rezila, odstranite ostanke in tujke iz rezil in diska za rezila. Zamenjajte rezila z novim kompletom rezil.
	Baterija je morda prazna ali stara.	Zamenjajte baterijo.
	Obratovalni čas je potekel	Ponastavite obratovalni čas
Kosilnica Landroid ne deluje ob primernem času.	Ura ni nastavljena na pravilen čas.	Uro nastavite na pravilen čas.
	Programirani časi košnje za kosilnico Landroid so nepravilni.	Spremenite časovne nastavitve, ko se mora kosilnica prižgati in ugasniti.
	Odstotek tedenskega časa izvajanja, ki ga je določila APP se je spremenil.	Preko APP nastavite pravilen odstotek.
Kosilnica Landroid se ne more pravilno priključiti v polnilno postajo.	Okoljski vplivi.	Ponovno zaženite kosilnico Landroid.
	Slaba povezljivost, ki jo povzročajo ostanki na polnilnem traku.	Stike za polnjenje, ki so nameščeni na polnilni postaji, ter polnilne trakove na kosilnici Landroid očistite s krpo.
Zelena lučka na polnilni postaji se prižge, preden je polnjenje zaključeno.	polnilna postaja se prekomerno segreva ali hladi	Polnilno postajo postavite v senco oziroma počakajte, da doseže obratovalno temperaturo.
Kolesa kosilnice Landroid poskakujejo ali neprestano drsijo.	Pod kosilnico Landroid so morda zagozdeni tujki, kot denimo vejice ali veje.	Odstranite tujke izpod kosilnice Landroid.
	Trava je premokra.	Počakajte, da se trava posuši.
Kosilnica Landroid se vozi zunaj dometa omejitvenega kabla. Kosilnica Landroid ne kosi območja znotraj dometa omejitvenega kabla. Kosilnica Landroid v bližini omejitvenega kabla pričinja voziti vzvratno ali se nenadzorovano vrteti.	Omejitveni kabel druge kosilnice Landroid ali robotske kosilnice je nameščen preblizu.	Prepričajte se, da je med vašim omejitvenim kablom in omejitvenim kablom soseda vsaj 1 m razdalje.
	V mokrih pogojih lahko električni signal omejitvenega kabla morda pušča na mestu, kjer je bil omejitveni kabel združen ali nepravilno popravljen.	Preverite spoje omejitvenega kabla. Kabel izolirajte in tako zagotovite celovito vodoodporno zaščito.
	Električni signal omejitvenega kabla pušča zaradi slabe izolacije.	Popravite poškodovan omejitveni kabel s priloženimi kabelskimi priključki.
Kosilnica Landroid zapusti svoje delovno območje in se začne spuščati po hribu.	Slab oprijem voznih koles kosilnice Landroid.	Preverite, ali so kolesa čista in ali na njih ni blata, saj se le tako zagotovi najboljši mogoč oprijem.

Operacijski sistem kosilnice Landroid se sesuje, ko se kosilnica polni ali ko je v stanju pripravljenosti.	Napaka programske opreme ali zaslona.	Ponovno zaženite kosilnico Landroid.
Kosilnica Landroid se izklopi, ko je nameščena v polnilni postaji.	Kosilnica Landroid se ne polni zaradi zaščite pred previsokimi temperaturami in je izklopljena.	Polnilno postajo namestite na senčno lego ali počakajte, da temperatura pade.
	Slaba povezava.	Preverite lučko LED na polnilni postaji. Preverite povezavo med stiki za polnjenje, ki so nameščeni na polnilni postaji, ter polnilnim trakom.
Kosilnica Landroid se v delovnem območju ustavi.	V delovnem območju je ovira.	Odstranite oviro iz delovnega območja kosilnice Landroid.
	Višina košnje je nastavljena prenizko glede na višino trave ali pa je trava pregosta.	Povišajte višino košnje, nato pa jo postopoma znižajte.
	Podaljšani omejitveni kabel ne sme biti daljši od 300m, saj bi v nasprotnem primeru lahko prišlo do težav s signalom.	Skrajšajte omejitveni kabel.
	Razdalja med centrom trate in omejitvenim kablom ne sme presegati 25 m, saj v nasprotnem primeru lahko pride do oslabitve signala.	Zmanjšajte razdaljo med centrom trate in obsegom omejitvenega kabla na manj kot 25 m.
Kosilnica Landroid se prevrača.	Na trati je nagnjena ovira.	Odstranite oviro iz delovnega območja kosilnice Landroid.
Kosilnica Landroid se noče povezati z internetom.	Preverite, ali so nastavitve vašega usmerjevalnika pravilne.	Prepričajte se, da je vaš usmerjevalnik 2.4 GHz. Če ima vaš usmerjevalnik dve nastavitvi, omogočite pas 2.4 GHz. Prepričajte se, da je vaš usmerjevalnik nastavljen na način 802.11 in da je nastavev brezžičnega načina b/g/n mešana. Ko napravo povežete z aplikacijo, se prepričajte, da je na usmerjevalniku omogočena funkcija SSID Broadcast. Ko boste uspešno povezali kosilnico, funkcijo lahko onemogočite. Prepričajte se, da je omogočena funkcija DHCP. Če ste zamenjali omrežje Wi-Fi, boste morali kosilnico Landroid povezati z novim omrežjem. Če imate usmerjevalnik "Fritz!box", se prepričajte, da imate v nastavitvah dejavno možnost "Allow communication between devices in same network".
	Preverite, če je povezava z usmerjevalnik prekinjena, oziroma je spremenjen WIFI SSID	Prepričajte se, da je usmerjevalnik povezan in WIFI SSID pravičen
Ko prilagodite "Mesec / ura / minuta", bo vaš Landroid piskal,	To je normalno	V nasprotni smeri urnega kazalca  za nastavev.

VAROVANJE OKOLJA

 Odpadnih električnih naprav ne smete zavreči skupaj z ostalimi gospodinjskimi odpadki. Dostavite jih na mesto za ločeno zbiranje odpadkov. Glede podrobnosti, se posvetujte z lokalno službo za ravnanje z odpadki.

IZJAVA O SKLADNOSTI

Mi,
Positec Germany GmbH
Grüner Weg 10, 50825 Cologne, Germany

V imenu družbe Positec izjavljamo, da je izdelek

Opis **Robotska kosilnica**

Vrsta **WR165E WR167E WR147E.1 WR148E (100-199 - oznaka naprave, predstavnik robotske kosilnice)**
(Serijska številka se nahaja na zadnji strani) s polnilnikom akumulatorjev WA3775 / WA3776 /WA3750.1/
WA3755.1ter postajo za polnjenje WA4002.1 Funkcija **Rezanje trave**

Skladen z naslednjimi direktivami,

2006/42/EC, 2014/30/EU, 2014/35/EU, 2011/65/EU&(EU)2015/863, 2000/14/EC spremenjena z 2005/88/EC, 2014/53/EU

WR165E WR167E

2000/14/EC spremenjena z 2005/88/EC

- Postopek za ugotavljanje skladnosti, glede na
- Izmerjena raven zvočne moči
- Deklarirana raven zvočne moči

Dodatek V
65.5 dB (A)
67 dB (A)

WR147E.1 WR148E

2000/14/EC spremenjena z 2005/88/EC

- Postopek za ugotavljanje skladnosti, glede na
- Izmerjena raven zvočne moči
- Deklarirana raven zvočne moči

Dodatek V
61.56 dB (A)
63 dB (A)

Pristojni priglasitveni organ

Ime: Intertek, Semko AB. (pristojni priglasitveni organ 0413)

Naslov: Torshamnsgatan 43164 22 Kista Sweden

Št. certifikata: 201002326SHA-V1

In izpolnjuje naslednje standarde,

EN 60335-1:2012+A11+A13+A1+A14+A2:2019, EN 50636-2-107:2015+A1+A2:2020,
EN 60335-2-29:2004+A2+A11:2018, EN 62233:2008, EN 55014-1:2017+A11:2020,
EN 55014-2:2015, EN IEC 61000-3-2:2019, EN 61000-3-3:2013+A1:2019, EN ISO 3744:2005,
EN 300 328 V2.2.2, EN 301 489-1 V2.2.3, EN 301 489-17 V3.2.4, EN IEC 62311:2020,
EN 61558-1:2005+A1:2009, EN 61558-2-16:2009+A1:2013,
EN 55011:2016+A11:2020,
EN 303 447 V1.1.1
EN 55032:2015+A11:2020, EN 55035:2017+A11:2020

Oseba, ki je pooblaščenca za skladnost tehnične dokumentacije,

Ime **Marcel Filz**

Naslov **Positec Germany GmbH, Grüner Weg 10, 50825 Cologne, Germany**



2020/12/02

Allen Ding

Namestnik glavnega inženirja za testiranje in certificiranje

Positec Technology (China) Co., Ltd

18, Dongwang Road, Suzhou Industrial

Park, Jiangsu 215123, P. R. China

SEGURANÇA DO PRODUTO

INSTRUÇÕES DE SEGURANÇA GERAIS E ADICIONAIS

⚠ AVISO: Leia todos os avisos e instruções de segurança. O desrespeito dos avisos e instruções pode resultar em choques eléctricos, incêndios e/ou ferimentos graves. Leia cuidadosamente as instruções sobre o funcionamento seguro da máquina. Preserve todos avisos e instruções para referência futura.

- Este aparelho não se destina a ser utilizado por indivíduos (incluindo crianças) com capacidades físicas reduzidas, capacidades sensoriais e mentais reduzidas ou falta de experiência e conhecimento, salvo quando supervisionados ou instruídos por uma pessoa responsável acerca da utilização do aparelho e respectiva segurança.

- Deve supervisionar as crianças para garantir que não brincam com o aparelho.

- Este aparelho contém baterias que só podem ser substituídas por pessoas qualificadas.

AVISO: Para recarregar a bateria, use só a unidade de alimentação destacável fornecida com este aparelho.

AVISO: Para reduzir o risco de ferimentos e danos à máquina, não remova a bateria antes de desligar a máquina.

IMPORTANTE

LEIA CUIDADOSAMENTE ANTES DE UTILIZAR

PRESERVE PARA FUTURA REFERÊNCIA

Práticas de utilização segura

FORMAÇÃO

- Leia atentamente as instruções. Certifique-se de que compreende as instruções e familiarize-se com os controlos e com a utilização adequada do aparelho;
- Nunca permita que o aparelho seja utilizado por crianças ou pessoas que não estejam familiarizadas com a utilização do aparelho. Os regulamentos locais podem restringir a idade do operador;
- O operador ou utilizador é responsável por acidentes ou situações de perigos ocorrendo a outras pessoas ou na sua propriedade.

PREPARAÇÃO

- Certifique-se de que instala correctamente o fio de delimitação conforme instruído.
- Inspeccione periodicamente a área onde o aparelho deve ser utilizado e retire todas as pedras, paus, fios, ossos e outros objectos estranhos.
- Inspeccione a máquina visual e periodicamente para verificar se as lâminas, os parafusos das lâminas e o conjunto de corte estão desgastados ou danificados. Substitua lâminas e parafusos gastos ou danificados em conjunto de modo a preservar o equilíbrio.
- Nos aparelhos com vários pivôs, preste atenção ao rodar uma lâmina pois pode provocar a rotação das restantes lâminas.
- AVISO!** O cortador de relva não deve ser utilizado sem a protecção no local correcto.

FUNCIONAMENTO

1. Geral

- Nunca utilize o aparelho com protecções defeituosas ou sem dispositivos de segurança no local correcto, por exemplo deflectores;
- Não coloque os pés nem as mãos perto ou debaixo de peças em rotação. Mantenha-se sempre afastado da abertura de descarga;
- Nunca pegue ou transporte um aparelho enquanto o motor estiver a funcionar;
- Utilize o dispositivo desactivado do aparelho;
 - Antes de eliminar um bloqueio;
 - Antes de inspeccionar, limpar ou trabalhar no aparelho;

- e) Não é permitido modificar a concepção original do robot corta-relva. Todas as modificações são da sua exclusiva responsabilidade.
- f) Ligue o robot corta-relva de acordo com as instruções. Quando o botão de energia está activado, certifique-se de que mantém as mãos afastadas das lâminas rotativas. Nunca coloque as mãos e pés sob o cortador.
- g) Nunca levante ou transporte o robot corta-relva com o botão de energia activado.
- h) Não deixe as pessoas que não se encontram familiarizadas com o funcionamento do robot corta-relva utilizarem o mesmo.
- i) Não coloque objectos sobre o robot corta-relva ou na respectiva estação de carga.
- j) Não permita que o robot corta-relva seja utilizado com um disco da lâmina ou corpo defeituosos. Também não deve ser utilizado com lâminas, parafusos, porcas ou cabos defeituosos.
- k) Desligue sempre o robot corta-relva quando concluir a sua utilização. O robot corta-relva só pode iniciar quando o botão de energia estiver activado e tenha sido introduzido o código PIN correcto.
- l) Mantenha as suas mãos e pés longe das lâminas giratórias. Nunca coloque as mãos ou pés próximo ou por baixo do corpo quando o corta-relva robotizado estiver em funcionamento.
- m) De modo evitar a utilização da máquina e dos respetivos periféricos em condições atmosféricas adversas, especialmente quando existe risco de queda de raios.
- n) Não tocar em peças móveis perigosas antes de estar terem parado por completo.
- o) Para máquinas usadas em áreas públicas, os sinais de aviso devem ser colocados em torno da área de trabalho da máquina. Devem apresentar a substância do seguinte texto:

AVISO! Cortador de grama automático! Mantenha longe da máquina! Supervisione as crianças!

2. Além disso, quando o aparelho estiver a funcionar automaticamente

- a) Não deixe a máquina a funcionar sem supervisão caso não saiba se existem animais de estimação, crianças ou pessoas nas proximidades.

MANUTENÇÃO E ARMAZENAMENTO

AVISO! Quando o cortador estiver ao contrário, o botão de energia deve estar sempre desligado.

O botão de energia deve estar sempre desligado durante os trabalhos realizados sob a estrutura, como a limpeza ou substituição das lâminas.

- a) Mantenha todas as porcas, pernos e parafusos apertados para garantir que o aparelho se encontra em condições de funcionamento seguras;
- b) Inspeccione o robot corta-relva semanalmente e substitua as peças gastas ou danificadas por motivos de segurança;
- c) Verifique especialmente se as lâminas e respectivos discos estão danificados. Substitua todas as lâminas e parafusos em simultâneo (caso necessário) para que as peças rotativas fiquem equilibradas.
- d) Certifique-se de que são utilizados apenas meios de corte sobresselentes do tipo correcto;
- e) Certifique-se de que as baterias estão carregadas utilizando o carregador correcto recomendado pelo fabricante. A utilização incorrecta pode provocar choques eléctricos, sobreaquecimento ou fugas de líquido corrosivo da bateria;
- f) Em caso de fuga de electrólitos lave com água/agente neutralizador e procure aconselhamento médico se entrar em contacto com os olhos, etc.;
- g) A assistência ao aparelho deve estar de acordo com as instruções do fabricante.

Recomendação

Ligar a máquina e/ou os respetivos periféricos apenas a um circuito de alimentação protegido por um dispositivo de corrente residual (RCD) com uma corrente de disparo não superior a 30mA.

Riscos residuais

Para evitar lesões, usar luvas de proteção quando substituir as lâminas.

Transporte

A embalagem original deve ser utilizada ao transportar o robot corta-relva em longas distâncias.

Para transportá-lo desde ou na área de funcionamento:

- a) pressione o botão PARAR para parar o cortador.
Selecione o código PIN de quatro dígitos quando iniciar o corta-relva pela primeira vez.
- b) Desligue sempre o robot corta-relva caso pretenda transportá-lo.
- c) Transporte sempre o cortador pelo manípulo na frente sob o cortador. Transporte o cortador com o disco da lâmina afastado do corpo.

Requisitos de exposição a RF

Para satisfazer os requisitos de exposição a RF, uma distância de separação de 200mm ou mais deve ser mantida entre este dispositivo e as pessoas durante a operação do dispositivo.

Para garantir a conformidade, as operações a uma distância menor que essa distância não são recomendadas. A antena usada para este transmissor não deve ser colocada em conjunto com qualquer outra antena ou transmissor.

Avisos de segurança para a bateria

- a) **Não desmonte, abra ou corte as células da bateria.**
- b) **Não submeta a bateria a curto-circuitos. Não armazena as baterias ao acaso numa caixa ou gaveta onde possam provocar um curto-circuito ou submetidas a curto-circuitos por materiais condutores.** Quando não estiver a utilizar a bateria, mantenha-a afastada de outros objetos metálicos, como cliques, moedas, chaves, pregos, parafusos ou outros pequenos objetos de metal, que possam realizar uma ligação de um terminal a outro. Um curto-circuito dos terminais da bateria pode provocar queimaduras ou um incêndio.
- c) **Não exponha a bateria ao calor ou a incêndios. Evite o armazenamento à exposição de luz solar direta.**
- d) **Não exponha a bateria ao choque elétrico.**
- e) **Em casos de fugas na bateria, não permita que o líquido entre em contacto com a pele ou olhos. Caso entre em contacto, lave a área afetada com quantidades abundantes de água e procure aconselhamento médico.**
- f) **Procure imediatamente aconselhamento médico se ingerir uma célula ou bateria.**
- g) **Mantenha a bateria limpa e seca.**
- h) **Limpe os terminais da bateria com um pano limpo e seco em caso de sujidade.**
- i) **A bateria necessita de ser carregada antes de ser utilizada. Consulte sempre estas instruções e utilize o procedimento de carga correto.**
- j) **Não mantenha a bateria a carregar quando não for utilizada.**
- k) **Após longos períodos de tempos de armazenamento, pode ser necessário carregar e descarregar a bateria diversas vezes para obter o desempenho máximo.**
- l) **Recarregue apenas com o carregador especificado pela Worx. Não utilize um carregador que não se encontra especificado para a utilização com o equipamento.**
- m) **Não utilize uma bateria que não se encontra concebida para a utilização com o equipamento.**
- n) **Mantenha a bateria fora do alcance das crianças.**
- o) **Preserve as informações originais do produto para futura referência.**
- p) **Retire a bateria do equipamento quando não estiver em utilização.**
- q) **Elimine-a de forma adequada.**
- r) **Não misture pilhas de diferente fabrico, capacidade, tamanho ou tipo num dispositivo.**
- s) **Não remova a bateria da respetiva embalagem original até ser necessário para utilização.**
- t) **Observe as marcas de sinal positivo (+) e sinal negativo (-) na bateria e assegure a utilização correta.**

INFORMAÇÕES SOBRE O LANDROID



AVISO – o robot cortador de relva pode ser perigoso se for utilizado incorrectamente. Leia cuidadosamente o manual do proprietário e compreenda o respectivo conteúdo antes de utilizar o seu robot cortador de relva.



AVISO - Mantenha uma distância segura da máquina quando estiver em utilização.



AVISO – Execute a desactivação do dispositivo antes de reparar ou levantar a máquina.



AVISO – Não se coloque sobre a máquina.



Bateria de íões de lítio Este produto foi marcado com um símbolo relacionado com a “recolha separada” de todos os conjuntos de baterias e o conjunto de bateria. Será reciclada ou desmantelada para reduzir o impacto no meio ambiente. Os conjuntos de baterias podem ser perigosos para o meio ambiente e para a saúde humana, uma vez que contêm substâncias perigosas.



Não queimar



As baterias podem entrar no ciclo da água se descartadas incorretamente, o que pode ser perigoso para o ecossistema. Não descarte baterias usadas como resíduos urbanos indiferenciados.



Proibido desmontar a máquina sem autorização



Os produtos eléctricos residuais não devem ser eliminados juntamente com o lixo doméstico. Recicle onde existam instalações. Confirme com as suas autoridades locais ou distribuidor relativamente ao dispositivo de reciclagem.



Aparelho Classe III



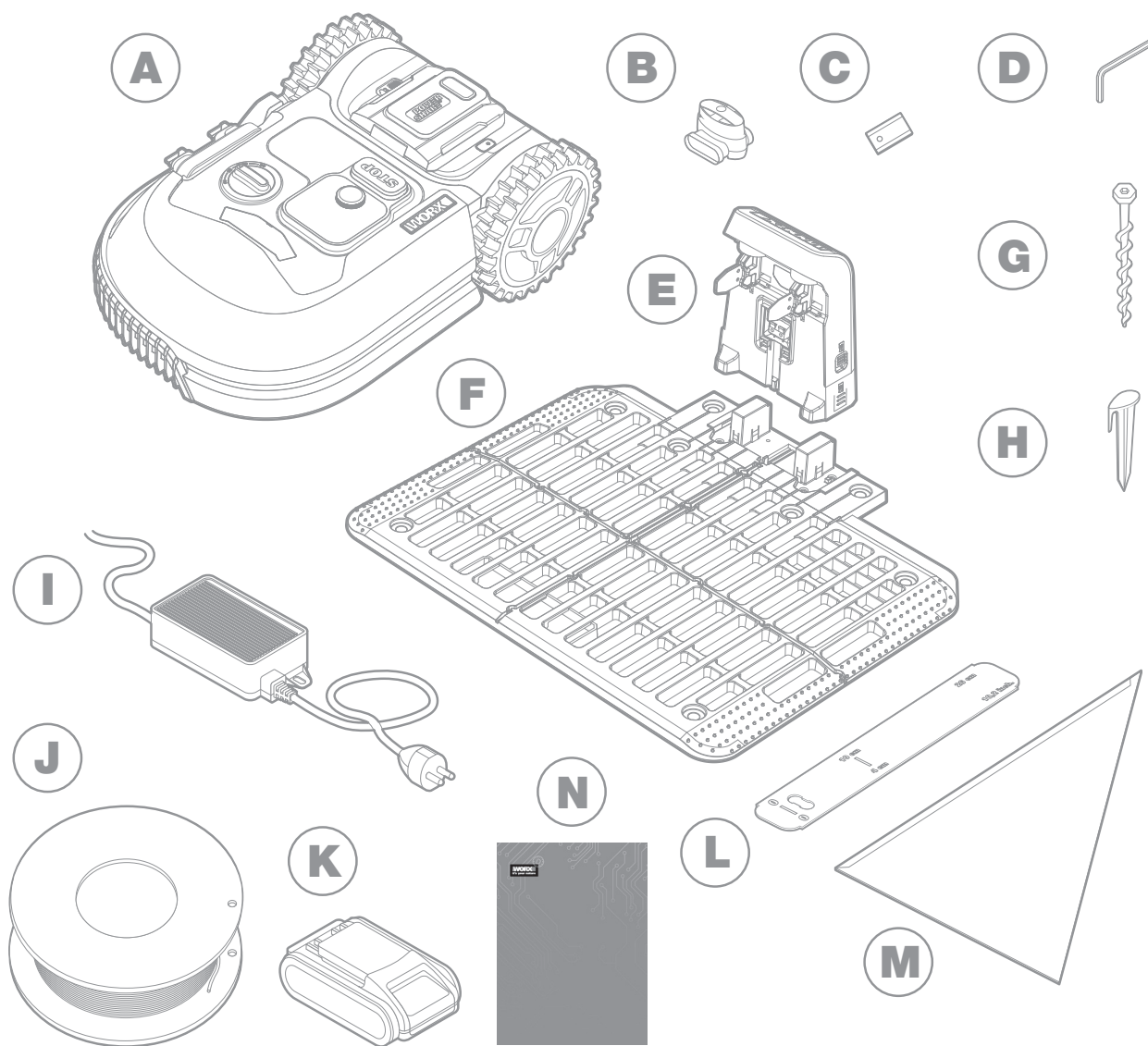
Leia o manual do operador



Unidade de alimentação destacável

Os produtos eléctricos residuais não devem ser eliminados juntamente com o lixo doméstico. Recicle onde existam instalações. Confirme com as suas autoridades locais ou distribuidor relativamente ao dispositivo de reciclagem.

**LISTA DE COMPONENTES
O QUE ESTÁ NA CAIXA**



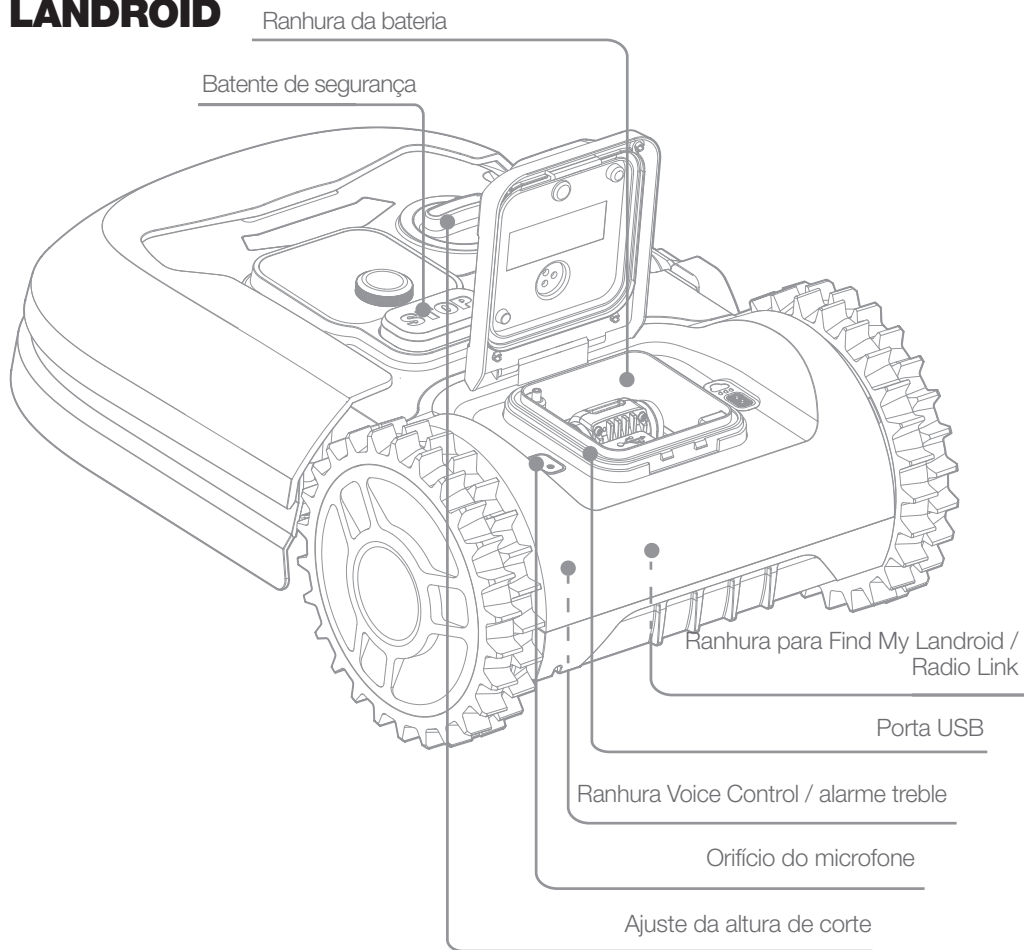
A imagem é apenas para referência

A	Worx Landroid
B	Fichas de reparação do fio
C	Kits de lâminas sobresselentes
D	Chave hexagonal
E	Pilha de carregamento
F	Base de carregamento
G	Parafusos

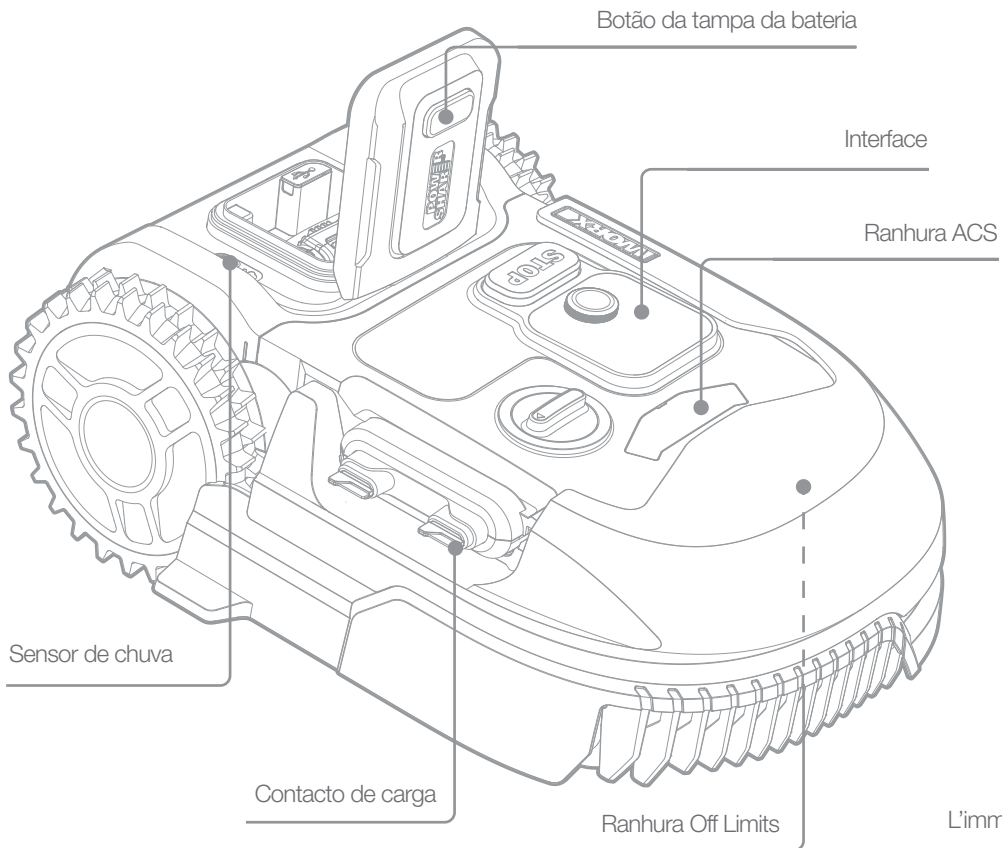
H	Molas de arame
I	Fonte de alimentação
J	Fio delimitador
K	Bateria de 20 V
L	Medidores de distância do fio delimitador
M	Régua Bertelsen
N	Manuais

CONHECER O LANDROID

A



B



L'immagine è a scopo esemplificativo

DADOS TÉCNICOS

Tipo **WR165E WR167E WR148E WR147E.1 (100-199 - designação da máquina, representante do robot cortarelva)**

	WR165E	WR167E	WR148E	WR147E.1
Tensão nominal	20 V Max.*			
Velocidade sem carga (/min)	2800		2400	
Área de corte (m ²)	500	700	800	1000
Diâmetro de corte (cm)	18		20	
Altura de corte (mm)	30-60			
Posições de altura de corte	4			
Tipo de bateria	Lão de lítio			
Modelo da bateria	WA3551.3	WA3553.3	WA3551.3	WA3553.3
Tempo de carga approx. (mins)	75	150	75	75
Tempo de carga	WA3750.1/ WA3755.1			WA3775 / WA3776
Modelo do carregador	Entrada: 100-240 V~50/60 Hz, 38 W, Saída: 20V , 1.5 A			Entrada: 100-240 V~50/60 Hz, 90 W, Saída: 20 V , 3.0 A
Peso da máquina (kg)	9.5	9.8	11.7	12
Grau de protecção	III			
App(Wi-Fi/Bluetooth)	Y			
Frekvenčni pas vgrajenega WLAN modula	2.412GHz-2.484GHz			
Maksimalna radijsko-frekvenčna moč vgrajenega WLAN modula	802.11b:+16±2dBm(@11Mbps) 802.11g:+14±2dBm(@54Mbps) 802.11n:+13±2dBm(@HT20,MCS7)			
Frekvenčni pas sistema induktivne zanke	77 Hz			
Največja moč RF induktivne zanke	82 dBµA/m			

* Tensão medida sem carga de trabalho. A tensão inicial da bateria alcança um máximo de 20 volts. A tensão nominal é 18 volts.

RUÍDO E DADOS TÉCNICOS

	WR165E	WR167E	WR148E	WR147E.1
Uma pressão sonora ponderada	$L_{pA} = 45.5 \text{ dB(A)}$		$L_{pA} = 40.68 \text{ dB(A)}$	
	$K_{pA} = 0.6 \text{ dB(A)}$		$K_{pA} = 1.36 \text{ dB(A)}$	
Uma potência sonora ponderada	$L_{wA} = 65.5 \text{ dB(A)}$		$L_{wA} = 61.56 \text{ dB(A)}$	
	$K_{wA} = 0.6 \text{ dB(A)}$		$K_{wA} = 1.36 \text{ dB(A)}$	
Utilize proteção auditiva quando a pressão sonora for superior a 80dB(A). 				

Um nível de ruído vindo da máquina é inevitável. O curso de trabalho ruidoso deve ser licenciado e dentro de limites durante certos períodos. Cumpra os períodos de descanso, visto que podem necessitar de restringir as horas de trabalho ao mínimo. Para a sua própria proteção e para a proteção das pessoas que trabalham nas proximidades, deve ser utilizado um equipamento de proteção auditiva adequado.

ACESSÓRIOS

	WR165E	WR167E	WR148E	WR147E.1
Parafusos	9	9	9	9
Base de carga	1	1	1	1
Pregos de fixação da base de carga	8	8	8	8
Fio de delimitação	130m	150m	150m	180m
Espigas de arame	180	210	210	250
Chave hexagonal	1	1	1	1
Medidores de distância do fio de delimitação	2	2	2	2
Lâminas	9	9	9	9
Conector	2	2	2	2
Bateria (WA3551.3)	1	/	1	/
Bateria (WA3553.3)	/	1	/	1
Carregador (WA3770.1/ WA3755.1)	1	1	1	/
Carregador (WA3775 / WA3776)	/	/	/	1

Recomendamos a compra de acessórios genuínos indicados na lista acima na mesma loja onde comprou a ferramenta. Consulte a embalagem do acessório para obter mais informações. O pessoal da loja pode auxiliar e aconselhá-lo.

UTILIZAÇÃO CONFORME AS DISPOSIÇÕES

Este produto é concebido para o corte de relva doméstico. Foi concebido para cortar relva frequentemente, mantendo uma relva mais saudável e com o melhor aspeto de sempre. Dependendo do tamanho da sua relva, o Landroid poderá ser programado para operar em qualquer altura ou frequência sem restrições. Não se destina a escavar, varrer ou limpar neve.

MANUTENÇÃO

O seu Landroid trabalha arduamente e precisa de ser limpo e verificado de vez em quando. Esta secção do nosso guia ajuda-lo-á a manter o Landroid em bom estado para que este dure durante anos sem problemas. Veja como cuidar do seu Landroid. Desligue a máquina antes de realizar qualquer reparação ou manutenção.

MANTENHA-O AFIADO

O Landroid não corta relva como os outros cortadores de relva. As suas lâminas de corte são extremamente afiadas em dois lados e giram em ambas direções para uma capacidade de corte máxima.

- A. O disco rotativo de lâminas exerce aleatoriamente uma rotação no sentido dos ponteiros do relógio e contrário ao sentido dos ponteiros do relógio para fazer uso de ambos lados de corte e minimizar a frequência da substituição das lâminas.
- B. Cada lâmina de corte terá a duração de dois meses se tiver um uso diário
- C. Verifique sempre se as lâminas se encontram lascadas ou danificadas e substitua-as caso estejam
- D. Quando as lâminas de corte se encontrarem usadas e desgastadas, estas deverão ser substituídas pelas lâminas de substituição fornecidas juntamente com o seu Landroid.

Poderá igualmente encontrar lâminas de substituição no seu revendedor Landroid mais perto.

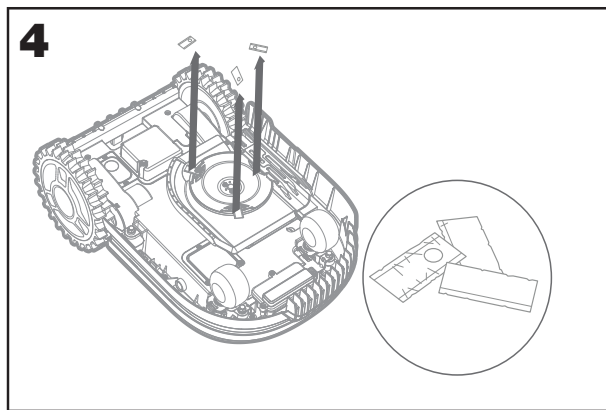
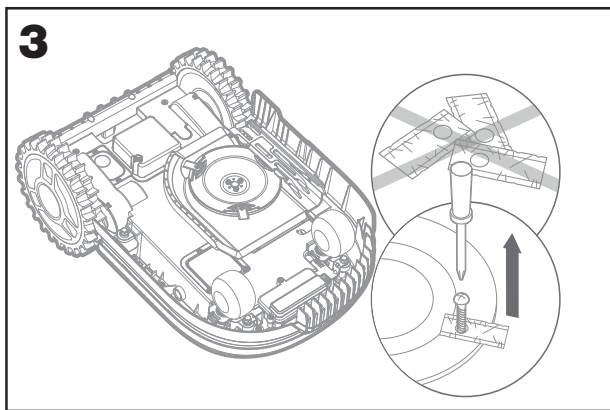
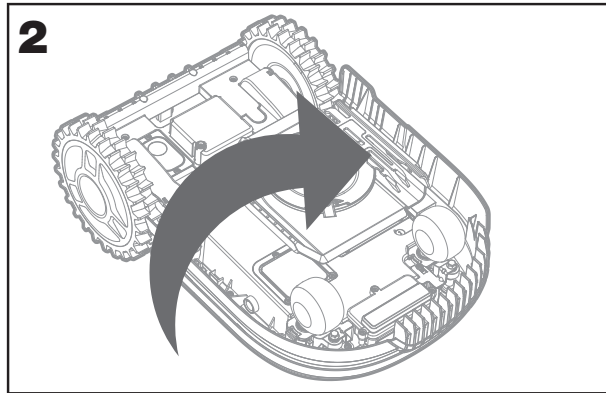
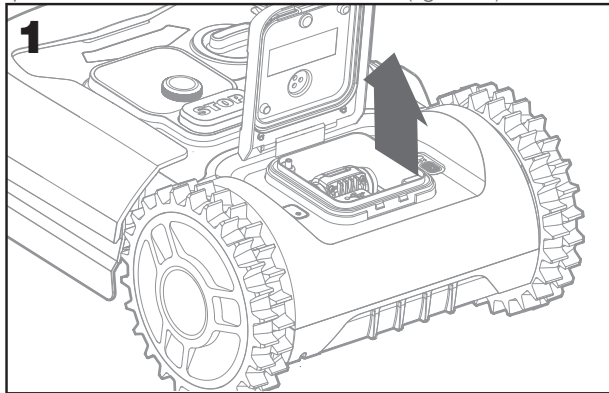
⚠ AVISO! Antes de limpar, ajustar ou substituir as lâminas, desligue o seu Landroid e remova a bateria. Utilize sempre luvas de proteção.

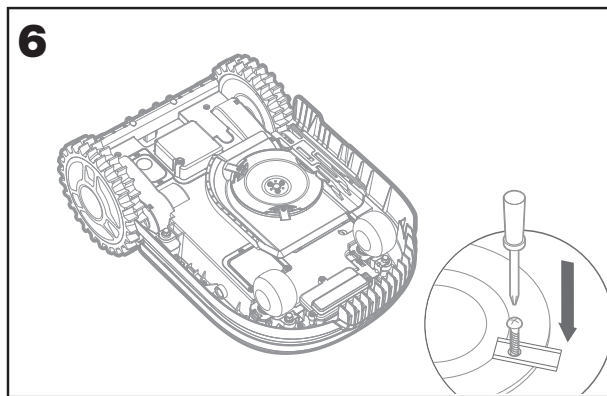
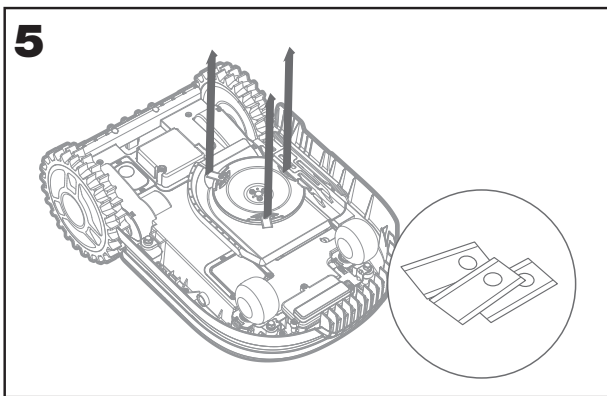
1. Substituição das Lâminas

Remova a bateria (fig. 1) e vire cuidadosamente o Landroid (fig.2)

Retire os parafusos das lâminas com uma chave de fendas (fig. 3 - 4)

Aparafuse firmemente as novas lâminas (fig. 5 - 6)



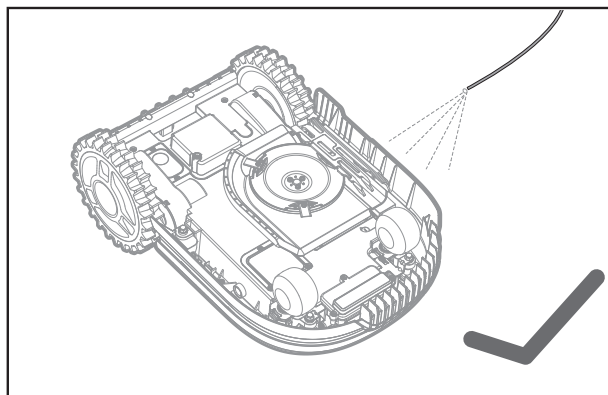
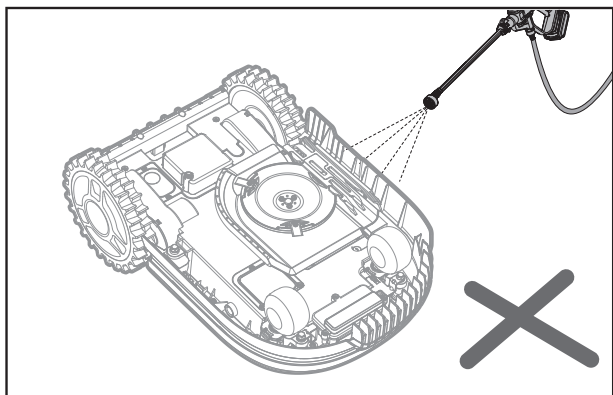


⚠ Atenção: Ao instalar novas lâminas, certifique-se de que substitui TODAS as lâminas.. Utilize sempre parafusos novos ao instalar lâminas. É importante para assegurar a retenção das lâminas e equilibrar o disco de rotação de lâminas. A não utilização de parafusos novos pode causar danos graves
 Importante: Após aparafusar a lâmina ao disco de lâminas, assegure-se de que a lâmina consegue girar livremente

MANTENHA-O LIMPO

O seu Landroid deve ser limpo regularmente. Isto ajuda a mantê-lo em boas condições, particularmente retirando a sujidade, resíduos e a acumulação de relva devido à utilização quotidiana. Desligue o Landroid antes de o limpar. Para segurança adicional, remova a bateria.

⚠ Atenção: Verifique se a tampa da bateria está fechada ao lavar o seu Landroid.
⚠ ATENÇÃO! O seu Landroid só pode ser lavado usando uma mangueira! NÃO use lavadora de alta pressão no seu Landroid. Água de alta pressão pode entrar nas vedações e danificar as peças eletrônicas e mecânicas.



1. Limpar a parte superior

- A. Limpe com um frasco pulverizador com água. Não utilize solventes ou polidores
- B. Utilize uma escova ou um pano limpo para remover a sujidade acumulada.

2. MANTENHA-O LIMPO

- A. Vire o Landroid ao contrário
- B. Remova os resíduos e os pedaços de relva com uma escova
- C. Tenha cuidado para não tocar nas lâminas com as mãos. Utilize luvas de proteção
- D. Limpe o disco de lâminas, o chassis e a(s) roda(s) minuciosamente com uma escova macia ou um farrapo humedecido
- E. Gire o disco de lâminas para assegurar que o disco gira livremente. Remova quaisquer obstruções. Remova quaisquer resíduos alojados para que estes não provoquem uma fenda no disco de lâminas. Até a mais pequena fenda afeta o desempenho no corte da relva
- F. Verifique que as lâminas giram livremente à volta dos parafusos de fixação. Remova quaisquer obstruções

3. Limpar as rodas motrizes

- A. Remova a lama das rodas com uma escova para assegurar uma boa aderência ao piso

4. Limpar os contactos de carregamento

- A. Limpe os pinos de contacto localizados na base de carregamento e as tiras de carga localizadas no Landroid com um pano

B. Periodicamente, remova quaisquer pedaços de relva acumulados ou resíduos à volta dos pinos de contacto e das tiras de carga para garantir que o Landroid carrega com sucesso a cada vez

MANTENHA-O CARREGADO

O coração do Landroid é a sua bateria de iões de Lítio de 20V Worx Powershare.

- A. Para guardar convenientemente a bateria, assegure-se de que esta está completamente carregada e preservada num local fresco e seco
- B. A temperatura de funcionamento do Landroid recomendada é entre 0-55°C.
- C. O tempo de vida da bateria do Landroid depende das horas de utilização e da distância de utilização por dia durante a estação de corte.

1. O Landroid pode ser carregado manualmente sem o fio delimitador

- A. Ligue a base de carregamento a uma fonte alimentação adequada. A luz verde na base de carregamento acenderá.
- B. Encaixe manualmente o Landroid na base de carregamento enquanto o Landroid está desligado.
- C. A luz verde na base de carregamento vai piscar e o Landroid começará a carregar.

MANTENHA-O ARMAZENADO DURANTE O INVERNO

Apesar do Landroid ter sido concebido e construído para resistir às condições meteorológicas mais severas, recomendamos que o armazene no seu depósito ou garagem durante o inverno. Prepare-o para a hibernação de inverno:

- A. Limpe-o minuciosamente.
- B. Carregue completamente a bateria.
- C. Desligue-o.

1. Voltar ao trabalho na primavera

Quando for tempo de reiniciar o Landroid para a nova estação, execute as seguintes verificações:

- A. Atualize as definições de hora e data através da aplicação.
- B. Se notar sinais de oxidação nos contactos de carregamento do Landroid e na estação de carregamento, limpe-os com uma lixa de esmeril fina.
- C. Carregue completamente a bateria do Landroid antes de o utilizar.

MANTENHA-O ATUALIZADO

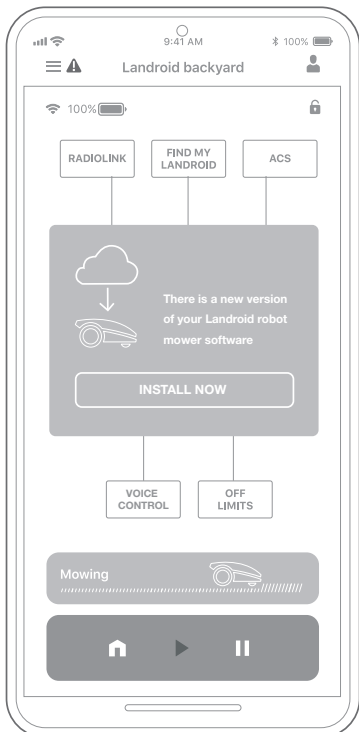
O Landroid está constantemente a melhorar e novas versões de atualização são disponibilizadas gratuitamente. Mantenha o software do Landroid constantemente atualizado para tirar o melhor partido da sua máquina.

1. Atualizações Over-the-Air (OTA)

Se o seu Landroid estiver ligado à sua rede Wi-Fi, receberá notificações sobre novas atualizações disponíveis através da aplicação. Uma vez confirmado por si, a atualização desenrolará automaticamente Over-the-Air.

2. Verifique qual versão de software possui.

O número da versão do software pode ser visto quando o Landroid está ligado.



3. Atualizações manuais

- A. Se o seu Landroid não estiver ligado à sua rede Wi-Fi, pode, mesmo assim, atualizá-lo para a versão mais recente de software com um dispositivo USB.
- B. Visite regularmente o Web site Worx Landroid para verificar se alguma nova versão está disponível. Se estiver subscrito na lista de e-mail do Landroid, será notificado quando uma nova versão estiver disponível.
- C. Descarregue a versão mais recente de software no nosso Web site .
- D. Utilize um dispositivo USB vazio formatado em FAT32 .
- E. Guarde o ficheiro zip e extraia o conteúdo para o seu dispositivo USB.
- F. Coloque o Landroid numa superfície segura e nivelada.
- G. Desligue o Landroid.
- H. Vá para a parte traseira do Landroid para aceder à porta USB.
- I. Insira o dispositivo USB na porta.
- J. Coloque o Landroid novamente no relvado, dentro da área de trabalho delimitada pelo fio de limite.
- K. Ligue o Landroid.
- L. Sem levantar o Landroid, remova o dispositivo USB quando for apresentado "Usb".
- M. A atualização iniciará automaticamente e poderá demorar algum tempo. O Landroid reiniciará automaticamente após a conclusão da atualização.


NOTA: Assegure-se de que o Landroid está dentro dos limites quando reiniciar o Landroid.

MENSAGENS DE OPERAÇÃO

AÇÃO DO LANDROID DE MENSAGEM	AÇÃO DO LANDROID DE MENSAGEM
Cortar grama	Corte de gramas de acordo com o cronograma de corte.
Chover	O sensor de chuva detecta água. O Landroid retornará à estação de carregamento e permanecerá lá durante o tempo que você programou para isso. Quando estiver seco, o Landroid começará automaticamente a contagem regressiva do atraso de chuva e, em seguida, retornará a cortar. Se quiser que o Landroid corte antes disso, basta desligá-lo e ligá-lo novamente, mas apenas quando o sensor de chuva estiver seco, ou você pode remover o atraso de chuva completamente definindo o tempo de atraso de chuva para zero.
Ir para casa	Precisa recarregar - durante a jornada até a base, a lâmina de corte é parada em
Carregando	'Carregando' e a porcentagem de carregamento são exibidos.
Sem horário de trabalho programado	Em espera, precisa ser programado conforme necessário.
Sem trabalho hoje	Em espera, começará de acordo com o cronograma de corte.
Trabalho feito hoje	
Busca de zona	De acordo com a configuração de "Personalizar zona de trabalho", o Landroid está procurando um determinado
Carregamento completo	O Landroid completou seu carregamento.
Carregamento de emergência	O Landroid sob o carregamento de emergência está carregando em estado desligado.

MENSAGENS DE ERRO

Por vezes as coisas podem correr mal. Felizmente, o Landroid é inteligente o suficiente para indicar que está a enfrentar um problema para que o possa resolver. Em caso de dúvidas, visite o nosso Web site onde pode encontrar vídeos úteis e apoio adicional.

MENSAGEM	CAUSA	AÇÃO
	Le couvercle de la batterie n'est pas fermé	Fermez le couvercle de la batterie
Fora de área trabalho! Pressionar "START" para repor.	O Landroid não consegue detetar o sinal do fio delimitador.	1. Se, de facto, o Landroid se encontrar fora da sua área de trabalho: desligue-o, leve o Landroid para dentro da área de trabalho, ligue-o e prima start. 2. Se o Landroid se encontrar dentro da sua área de trabalho, verifique se o LED da base de carregamento está verde e fixo. Se estiver vermelho, verifique se o fio delimitador se encontra devidamente ligado à base de carregamento e que a base está ligada a uma fonte de alimentação adequada. Se estes estiverem devidamente ligados, os terminais do fio delimitador estão incorretamente fixados e devem ser revertidos.
PIN ERRADO! Tente novamente.	O código PIN está errado.	Insira o código PIN correto ou reponha o seu PIN.
Falha motor da lâmina! Pressionar "START" para repor.	O disco de lâminas está bloqueado por um objeto, por exemplo, um ramo.	Desligue a alimentação. Vire o Landroid ao contrário e verifique se algo está impedir a rotação do disco de lâminas e remova qualquer obstrução. Vire o Landroid de pé. Ligue. Pressione start.
	A lâmina está sobrecarregada por uma camada densa e espessa de relva.	Desligue a alimentação. Leve o Landroid para uma área com relva curta ou ajuste a altura de corte para uma definição mais alta. Ligue a alimentação. Pressione start.
Falha motor das rodas! Pressionar "START" para repor.	O motor das rodas está, por algum motivo, bloqueado.	Desligue e leve o Landroid para uma área livre de obstáculos. Ligue a alimentação. Pressione start. Se a mensagem de erro continuar apresentada, desligue-o. Vire o Landroid ao contrário e verifique se algo está a impedir que as rodas rodem. Remova qualquer obstrução, vire o Landroid de pé, ligue-o.
Invertido! Pressionar "START" para repor.	Isto poderá ter acontecido quando o Landroid entrou em contacto com uma superfície inclinada que o fez virar.	Vire o Landroid de pé e remova qualquer obstáculo que possa ter causado a viragem do Landroid.
Corta-relvas preso! Pressionar "START" para repor.	O Landroid está retido.	Desligue a alimentação. Leve o Landroid para uma área do seu relvado livre de obstáculos e, depois, ligue-o. Pressione start. Se a mensagem de erro continuar apresentada: desligue e vire o Landroid ao contrário. Verifique se algo está a impedir que as rodas rodem. Remova qualquer obstrução, vire o Landroid de pé, ligue-o.
Corta-relvas elevado! Pressionar "START" para repor.	O Landroid está levantado.	Desligue a alimentação. Leve o Landroid para uma área livre de obstáculos, ligue-o. Pressione start. Se a mensagem de erro continuar apresentada: desligue e vire o Landroid ao contrário e verifique se algo está a levantar o Landroid. Remova qualquer objeto possível, vire o Landroid de pé, ligue-o.

Tensão da bateria demasiado baixa! Mude a bateria.	Bateria sem carga.	Neste caso, deve desligar o Landroid e colocá-lo na base de carregamento, em seguida, "Carregamento de emergência" será apresentado e começará a carregar. Se o erro de bateria persistir, a sua bateria está danificada e necessita de ser substituída.
Fio em falta! Pressionar "START" para repor.	A máquina não encontra o sinal do fio delimitador.	Se a luz LED estiver vermelha, verifique se o fio de limite está bem conectado às braçadeiras na pilha de carregamento Se o problema persistir, verifique se o fio delimitador não foi cortado.
Temperatura da bateria fora do intervalo! aguarde.	A temperatura está muito elevada (mais de 55°C) ou muito baixa (menos de 0°C) durante o carregamento.	Coloque a base de carregamento numa área à sombra ou espere até atingir a temperatura normal
Estação carr. não encontr. Pressionar "START" para repor.	O fio delimitador está além da distância máxima (350m) ou a máquina não tem bateria suficiente para regressar à base de carregamento.	Leve o Landroid para a estação de carregamento.
Corta-relvas bloqueado! contactar assistência para a reparação.	Com a "Lock Function" ativada, se o seu Landroid não receber um sinal do seu router Wi-Fi durante três dias, este bloqueia por medidas de segurança. Tal pode acontecer caso o seu router perca a sua alimentação ou porque mudou o seu router Wi-Fi ou de operadora de rede.	Volte a ligar o Landroid à rede Wi-Fi com que foi inicialmente emparelhado. Se não for possível, contacte o Serviço ao Cliente.

NOTAS

- A. Antes de ligar, verifique sempre que o Landroid está dentro da sua área de trabalho. Se não for o caso, a mensagem "Outside working area! Press START to reset" será apresentada. Esta mensagem também é apresentada quando o Landroid se encontra parcialmente, mas não totalmente dentro da sua área de trabalho.
- B. Se por qualquer motivo (p.ex. uma festa, crianças a brincar...) desejar atracar o Landroid na base de carregamento: prima home e, depois, OK. O Landroid dirigirá-se à sua base e lá ficará. Tenha em atenção que o Landroid irá agora aguardar até à próxima sessão de corte programada. Se desejar reiniciá-lo a qualquer momento, pressione start e a seguir OK para iniciar o seu Landroid
- C. Se um erro ocorrer repetidamente na mesma área do seu relvado, poderá ter um problema com o fio delimitador, nesse caso consulte as instruções de instalação e verifique se a sua instalação está correta com a ajuda destas
- D. Se o seu relvado estiver dividido em duas áreas separadas, ligadas por um corredor com menos de um metro e uma das áreas não possuir a base de carregamento: quando o Landroid ficar sem bateria, leve-o manualmente até à base de carregamento
- E. Se o Landroid funcionar de forma anormal de vez em quando, reponha-o desligando-o e removendo a bateria durante 30 segundos e, em seguida, reinicie-o. Se o problema não for resolvido, contacte o nosso Serviço ao Cliente para obter ajuda


RESOLUÇÃO DE PROBLEMAS

Se o seu Landroid não trabalhar devidamente, siga o guia de resolução de problemas abaixo. Se o problema persistir, contacte o Serviço ao Cliente


SINTOMA	CAUSA	SOLUÇÃO
A luz LED da base de carregamento não liga.	Não há energia.	Verifique se a base de carregamento está devidamente ligada ao carregador e se o carregador está ligado a uma fonte de alimentação adequada.
Luz vermelha na base de carregamento.	O fio delimitador não está ligado.	Verifique que o fio delimitador está corretamente ligado à base de carregamento. Verifique que não há ruturas no fio delimitador.
O Landroid liga-se, mas o disco de lâminas não roda.	O Landroid procura a base de carregamento.	É normal: quando o Landroid precisa de recarregar, o disco de lâminas não gira enquanto procura automaticamente a base de carregamento.

O Landroid vibra.	O disco de lâminas está desequilibrado. As lâminas podem estar danificadas.	Verifique as lâminas e substitua-as se estiverem danificadas. Remova resíduos e objetos estranhos das lâminas e do disco de lâminas.
A relva está a ser cortada irregularmente.	O Landroid não trabalha durante horas suficientes por dia para cortar a relva.	Tente acrescentar mais horas à programação de corte.
	A área de corte é demasiado grande para o tamanho do Landroid que tem.	Tente reduzir o tamanho da área de corte ou aumentar o tempo de funcionamento
	As lâminas estão usadas e não estão afiadas.	Substitua todas as lâminas e parafusos para equilibrar o disco de lâminas.
	A altura de corte definida é muito baixa para a altura da relva.	Suba a altura de corte e, de seguida, baixe gradualmente.
	Relva ou outro objeto ficou enrolado à volta do disco de lâminas.	Verifique o disco de lâminas e remova qualquer relva ou outros objetos que possam impedir que esta gire.
	Há relva acumulada no disco de lâminas ou na caixa de proteção do motor.	Assegure-se de que o disco de lâminas roda com facilidade. Se necessário, deverá remover o disco de lâminas e, de seguida, remover os resíduos.
O seu Landroid está dentro da área de funcionamento e o fio de delimitação está ligado, mas o ecrã mostra 'Fora da área de funcionamento! Pressione START para redefinir'	As extremidades do fio delimitador estão incorretamente fixadas.	Inverta as pontas do fio delimitador e ligue-as de novo à estação de carregamento.
O tempo de carregamento é superior ao tempo de carregamento avaliado.	Fraca ligação devido a resíduos na tira de carga.	Limpe os pinos de contacto localizados na base de carregamento e a tira de carga do Landroid com um pano.
	O programa de proteção de carregamento é ativado devido a temperatura elevada.	Coloque a base de carregamento numa área sombreada ou aguarde até que a temperatura desça.
O cortador não carrega.	Não há energia.	Verifique se o cabo de alimentação está devidamente ligado ao carregador e que o carregador está ligado a uma fonte de alimentação adequada. Assegure-se de que ambas as tiras de carga do cortador tocam no centro das tiras de contacto da base de carregamento.
O Landroid começa a ter um tempo de operação mais reduzido entre cargas.	Algo está a obstruir o disco de lâminas originando fricção e aumentando o consumo de energia.	Retire o disco de lâminas e limpe-o. É possível que a relva esteja demasiado alta e espessa.
	O Landroid está a tremer intensamente porque o disco de lâminas está desequilibrado.	Verifique o disco de lâminas e as lâminas, remova resíduos e objetos estranhos das lâminas e do disco de lâminas. Substitua as lâminas por um novo conjunto.
	A bateria pode estar fraca ou velha.	Substitua a bateria.
	O tempo de funcionamento acabou	redefina o tempo de funcionamento
O Landroid não está a trabalhar nas horas certas.	O relógio não está configurado à hora certa.	Configure o relógio à hora certa.
	O horário de corte programado não está correto.	Altere as definições de hora de início e de paragem do cortador.
	A percentagem do tempo de operação semanal definido pelo APP mudou.	Defina a percentagem correta através do APP

O Landroid não conseguiu encaixar corretamente na base de carregamento.	Influências ambientais.	Reinicie o Landroid.
	Fraca ligação devido a resíduos na tira de carga.	Limpe os pinos de contacto localizados na base de carregamento e a tira de carga do Landroid com um pano.
A luz verde na base de carregamento liga-se antes de o carregamento estar completo.	a base de carregamento está a aquecer ou a arrefecer excessivamente	Posizionare la base di ricarica in un'area ombreggiata o attendere che torni a una temperatura normale
As rodas do Landroid derrapam ou escorregam repetidamente.	Obstáculos estranhos tais como galhos e ramos podem estar depositados por baixo do Landroid.	Remova os objetos estranhos de debaixo do Landroid.
	O relvado está muito molhado.	Espere até que o relvado seque.
O Landroid sai dos limites do fio delimitador. O Landroid não corta uma área dentro da zona do fio delimitador. O Landroid inverte ou roda erroneamente perto do fio delimitador.	O fio delimitador de outro Landroid ou robô cortador de relva está posicionado demasiado perto.	Assegure-se de que existe pelo menos um metro de espaço livre entre o seu fio delimitador e o do seu vizinho.
	Em condições de chuva, o sinal elétrico do fio delimitador pode-se perder em sítios onde o fio foi incorretamente unido ou reparado.	Verifique as junções do fio. Isole para assegurar uma ligação plenamente à prova de água.
	Há uma perda de sinal elétrico do fio delimitador devido a uma quebra do isolamento.	Repare o fio delimitador danificado com as fichas de fio fornecidas.
O Landroid escapa da sua área de trabalho descendo uma encosta.	Aderência reduzida das rodas motrizes do Landroid.	Verifique se as rodas estão limpas e livres de lama de maneira a ter a melhor aderência possível.
O sistema operativo do Landroid falha ao carregar ou quando suspenso.	Falha de software ou de visualização.	Reinicie o Landroid.
O Landroid desliga-se quando se encaixa na base de carregamento.	O Landroid não carrega devido à proteção contra o sobreaquecimento e está desligado.	Coloque a base de carregamento numa área sombreada ou aguarde até que a temperatura desça.
	Ligação fraca.	Verifique a luz LED na base de carregamento. Verifique a ligação entre os os pinos de contacto localizados na base e na tira de carga.
O Landroid para na área de trabalho.	Há um obstáculo na área de trabalho.	Remova o obstáculo da área de trabalho do Landroid.
	A altura de corte definida é muito baixa para a altura da relva ou a relva é demasiado densa.	Suba a altura de corte e, de seguida, baixe gradualmente.
	O fio delimitador estendido não deverá exceder 300m, pois poderá causar problemas de sinal.	Reduza o comprimento do fio delimitador.
	A distância entre o centro do relvado e o fio delimitador não deverá exceder 25 m, pois poderá levar à atenuação do sinal.	Reduza a distância entre o centro do relvado e o perímetro do fio delimitador no intervalo até 25m.
O Landroid vira ao contrário.	Há um obstáculo inclinado no relvado.	Exclua o obstáculo da área de trabalho do Landroid.

<p>O Landroid não é capaz de se ligar à Internet.</p>	<p>Verifique se o seu router tem as definições corretas.</p>	<p>Assegure-se de que o seu router é de 2,4 GHz. Se o seu router tiver duas definições, ative a banda de 2,4 GHz. Assegure-se de que o router está definido no modo 802.11 e de que a definição de rede sem fios é b/g/n mista. Assegure-se de que o seu router possui a funcionalidade SSID Broadcast ativada quando conetar a máquina com a aplicação. Pode encerrá-la quando a ligação for realizada com sucesso. Assegure-se de que a funcionalidade DHCP está ativada. Se tiver mudado a sua rede Wi-Fi, precisa de ligar o seu Landroid à nova rede. Se possuir um router "Fritz!box", assegure-se de que ativa "Permitir comunicação entre dispositivos na mesma rede" nas definições.</p>
	<p>Verifique se o router está desligado ou se o WIFI SSID foi alterado</p>	<p>Verifique se o router está ligado e se o SSID WIFI está correto</p>
<p>O seu Landroid emite um bipe quando você está ajustando "mês / hora / minuto"</p>	<p>É normal</p>	<p>No sentido anti-horário para  ajustar.</p>

PROTECÇÃO AMBIENTAL

 Os equipamentos eléctricos não devem ser despositados com o lixo doméstico. Se existirem instalações adequadas deve reciclá-los. Consulte a sua autoridade local para tratamento de lixos ou fornecedor para obter aconselhamento sobre reciclagem.

DECLARAÇÃO DE CONFORMIDADE

Nós,
Positec Germany GmbH
Grüner Weg 10, 50825 Cologne, Germany

Em nome da Positec, declara que o produto

Descrição **Robot cortador de relva**

Tipo **WR165E WR167E WR148E WR147E.1 (100-199 - designação da máquina, representante do robot corta-relva) (Número de série é colocado na página de volta) com carregador de baterias WA3775 / WA3776 / WA3750.1/ WA3755.1 e a base de carregamento WA4002.1**

Função **Cortar relva**

Em conformidade com as seguintes directivas,

2006/42/EC, 2014/30/EU, 2014/35/EU, 2011/65/EU&(EU)2015/863, 2000/14/EC alterada pela 2005/88/EC, 2014/53/EU

WR165E WR167E

2000/14/EC alterada pel 2005/88/EC

- Procedimento de avaliação de conformidade consoante
- Nível de potência sonora medido
- Nível de potência sonora garantido declarado

Annex V
65.5 dB (A)
67 dB (A)

WR148E WR147E.1

2000/14/EC alterada pel 2005/88/EC

- Procedimento de avaliação de conformidade consoante
- Nível de potência sonora medido
- Nível de potência sonora garantido declarado

Annex V
61.56 dB (A)
63 dB (A)

Organismo notificado envolvido

Nome: Intertek, Semko AB (Organismo notificado 0413)

Morada: Torshamnsgatan 43164 22 Kista Sweden

Certificação N.º : 201002326SHA-V1

Normas em conformidade com,

**EN 60335-1:2012+A11+A13+A14+A2:2019, EN 50636-2-107:2015+A1+A2:2020,
EN 60335-2-29:2004+A2+A11:2018, EN 62233:2008, EN 55014-1:2017+A11:2020,
EN 55014-2:2015, EN IEC 61000-3-2:2019, EN 61000-3-3:2013+A1:2019, EN ISO 3744:2005,
EN 300 328 V2.2.2, EN 301 489-1 V2.2.3, EN 301 489-17 V3.2.4, EN IEC 62311:2020,
EN 61558-1:2005+A1:2009, EN 61558-2-16:2009+A1:2013,
EN 55011:2016+A11:2020,
EN 303 447 V1.1.1
EN 55032:2015+A11:2020, EN 55035:2017+A11:2020**

A pessoa autorizada a compilar o ficheiro técnico,

Nome Marcel Filz

Morada Positec Germany GmbH, Grüner Weg 10, 50825 Cologne, Germany



2020/12/02

Allen Ding

Engenheiro-chefe adjunto, Teste e Certificação

Positec Technology (China) Co., Ltd

18, Dongwang Road, Suzhou Industrial

Park, Jiangsu 215123, P. R. China

BIZTONSÁGI ÓVINTÉZKEDÉSEK ÁLTALÁNOS & KIEGÉSZÍTŐ BIZTONSÁGI ÓVINTÉZKEDÉSEK

⚠ FIGYELEM: Olvasson el minden biztonsági figyelmeztetést és valamennyi utasítást. A figyelmeztetések és utasítások figyelmen kívül hatása áramütést, tüzet és/vagy súlyos sérülést eredményezhet.

A készülék biztonságos működtetése érdekében figyelmesen olvassa el az utasításokat.

Őrizzen meg minden figyelmeztetést és utasítást, a jövőben szüksége lehet ezekre.

- Ez a készülék nincs arra előirányozva, hogy azt olyan személyek (beleértve a gyerekeket) használják, akiknek a fizikai, érzelmi, vagy értelmi képességeik korlátozottak, vagy nincsenek meg a megfelelő tapasztalataik, illetve tudásuk, kivéve ha az ilyen személyekre a biztonságukért felelős más személy felügyel, vagy utasításokat ad arra, hogyan kell használni a készüléket.

- Gyerekeket nem szabad a készülékkel felügyelet nélkül hagyni, nehogy a készülékkel játsszanak.

- A készülék kizárólag a vele együtt szállított táppal használható.

- A készülék akkumulátorát csak képzett személyzet cserélheti.

FIGYELEM: Az akkumulátor töltéséhez csak a készülékhez kapott cserélhető tápegységet használja.

FIGYELMEZTETÉS: Személyi sérülés és a gép károsodásának elkerülése érdekében ne távolítsa el az akkumulátort a készülék kikapcsolása előtt.

FONTOS

HASZNÁLAT ELŐTT FIGYELMESEN OLVASSA EL ŐRIZZE MEG, KÉSŐBB SZÜKSÉGE LEHET RÁ

A biztonságos működtetés gyakorlata

Tájékoztató

- Figyelmesen olvassa el az utasításokat. Győződjön meg arról, hogy megértette az utasításokat, és hogy megbarátkozott a vezérlésekkel és a gép megfelelő használatával;
- Soha ne hagyja, hogy a fűnyírót olyan gyermekek vagy felnőttek használják, akik nem ismerik ezeket az utasításokat. A helyi szabályozások korlátozhatják a működtető életkorát;
- A más személyek által elszenvedett balesetekért, illetve a más tulajdonában keletkezett károkat a kezelő vagy a felhasználó felel.

Előkészületek

- Bizonyosodjon meg a behatároló huzal előírás szerű telepítéséről.
- Időnként vizsgálja meg a gép számára kijelölt munkavégzési övezetet, és távolítsa el a köveket, ágakat, huzalmaradványokat, csontokat és idegen tárgyakat.
- Időnként vizuálisan ellenőrizze a kések, a késrögzítő csavarok és a fűnyíró részegység állapotát, kopás vagy károsodás jeleit keresve. A kopott vagy sérült késeket és csavarokat az egyensúly megőrzése végett mindig párban cserélje.
- Többkések esetén figyeljen arra, hogy az egyik kést elforgatva a többi kés is forogni kezdhet.
- FIGYELEM!** A fűnyíró robotot nem szabad védők nélkül működtetni.

Előkészületek

1. Általánosságok

- Soha ne működtesse a fűnyírót, ha a védője megsérült, illetve a biztonsági eszközök, például terelők és/vagy fűtartályok nélkül.
- A kezeit és a lábait sohase tegye a forgó alkatrészek közelébe vagy azok alá. Maradjon távol az ürítőnyílástól;
- Sohase emelje fel és sohase vigye a kerti kisgépet működő motorral;

- d) A gépen található leállító eszközt használja;
 - a beékelődések elhárítása előtt;
 - mielőtt a kerti kisgépet ellenőrizné, megtisztítaná vagy azon valamilyen munkát végezne.
- e) Tilos a robotizált fűnyírógép eredeti konstrukciójának a módosítása. Minden módosítás az ön saját kockázatára történik.
- f) A robotizált fűnyírót az utasításoknak megfelelően indítsa el. Ha a Power gomb be van kapcsolva, tartsa távol a kezét és a lábait a forgó késektől. A kezét és a lábait soha ne tegye a fűnyírógép alá.
- g) Soha ne emelje fel és ne hordozza a robotizált fűnyírógépet a Power gomb megnyomása után.
- h) A robotizált fűnyírógép munkavégzési viselkedését nem ismerő személyeknek ne engedélyezze a gép használatát.
- i) Semmit se helyezzen a robotizált fűnyírógépre vagy töltőbázisára.
- j) Tiltsa meg a robotizált fűnyírógép használatát, ha a késtárcsa vagy a készülékház károsodott. A gépet sérült tárcsákkal, csavarokkal, anyákkal vagy kábelekkel sem szabad használni.
- k) Ha nem szándékszik használni a robotizált gépet, ne feledje mindig kikapcsolni. Ezt a robotizált fűnyírógépet csak akkor lehet használni, ha aktiválták az áramellátási kapcsolóját és bevitték a helyes PIN-kódot.
- l) Tartsa távol a kezét és a lábait a forgó késektől. A kezét és a lábait soha ne helyezze a működésben levő robotizált fűnyíró készülékházának a közelébe vagy a készülékház alá.
- m) El kell kerülni a gép és perifériáinak rossz időben való használatát, főleg akkor, amikor fennáll a villámlás veszélye.
- n) Azok teljes leállása előtt soha ne érintse meg a sérüléseket okozható, mozgó alkatrészeket.
- o) A nyilvános helyeken használt gépek esetében a figyelmeztető jelzés(eke)t a gépezet munkaterülete körül kell elhelyezni. Ezeknek az alábbi szöveg lényegét kell tartalmazniuk:
FIGYELEM! Automata fűnyíró! Ne menjen a gép közelébe! Gondoskodjon a gyermekek felügyeletéről!

Kiegészítő figyelmeztetés automatikusan működő gép esetén

- a) Ne hagyja felügyelet nélkül a működő gépet, ha a gép közelében háziállatok, gyerekek vagy személyek találhatók.

Karbantartás és tárolás

FIGYELEM! Ha a fűnyírógépet fel akarja fordítani, előzőleg mindig kapcsolja ki az Áramellátás gombot.

Az áramellátási gomb megnyomásával az áramellátást mindig ki kell kapcsolni, ha a készülékház alatt tisztítást végez vagy késcserét hajt végre.

- a) Gondoskodjon arról, hogy valamennyi anya, csapszeg és csavar biztonságosan rögzítve legyen, hogy garantálhassa a kerti kisgép biztonságos munkavégzési állapotát;
- b) Hetente ellenőrizze a robotizált fűnyírógépet, és a munkavégzés biztonsága érdekében cserélje ki az elhasználódott vagy megrongálódott alkatrészeket.
- c) Elsősorban a kések és a késtárcsák hibátlan állapotát ellenőrizze. Minden kést és csavart egyszerre cseréljen ki, hogy megmaradjon a forgó részegységek egyensúlya.
- d) Gondoskodjon arról, hogy a cserekések a megfelelő típusúak legyenek;
- e) Gondoskodjon arról, hogy az akkumulátorok újratöltése a gyártó által ajánlott töltővel történjen. Az akkuk helytelen használata áramütést, túlmelegedést vagy korrozív elektrolit folyadék szivárgást eredményezhet;
- f) Ha az elektrolit a testrészeire került, bő vízzel vagy semlegesítő szerrel mossa le magáról, ha pedig a szemébe került, forduljon orvoshoz;
- g) A gép szervizelését a gyártó utasításai szerint kell végrehajtani.

Jótanács

A gépet és/vagy annak perifériáit olyan tápfeszültségi hálózatra csatlakoztassa, amelyet olyan maradékáram működtetésű megszakító kapcsoló (RCD) véd, amelynek a küszöbárama nem haladja meg a 30 mA-t.

Reziduális veszélyek

A sérülések elkerülése végett, az élek cseréjekor viseljen speciális védőkesztyűt.

Szállítás

A robotizált fűnyírógép nagy távolságokra való szállítására az eredeti csomagolást kell használni. A gépet csak akkor költöztetheti biztonságosan a munkavégzés területén belül vagy azon kívülre, ha az alábbiakat teszi:

- a) Nyomja meg a STOP gombot, hogy leállítsa a fűnyírógépet.
A fűnyírógép legelső beindításakor válassza ki a 4 számból álló PIN-kódot.
- b) Ha a fűnyírógépet kézzel akarja költöztetni, előzőleg mindig kapcsolja ki.
- c) A fűnyírógépet a gép alatt front fogantyú megragadásával hordozza. Miközben hordozza, tartsa távol a testrészeitől a gép késtárcsáját.

A rádiósugárzásnak való kitettséggel kapcsolatos követelmények

A rádiósugárzásnak való kitettséggel kapcsolatos követelmények betartásához kérjük, tartson legalább 200 mm vagy annál nagyobb távolságot ezen eszköz és a személyek között a fűnyíró működése közben.

A követelmények betartásának biztosításához az e távolságon belüli működtetés nem javasolt. Az ezen transzmitterhez használt antenna nem lehet semmilyen más antennával vagy transzmitterrel közös helyen.

Az akkumulátorral kapcsolatos biztonsági figyelmeztetések

- a) **Az akkumulátort ne szedje szét, ne nyissa fel és ne vágja meg.**
- b) **Ne zárja rövidre az akkumulátort. Az akkumulátorokat ne tárolja olyan dobozban vagy fiókban, ahol rövidre zárhatják egymást, vagy valamilyen vezető anyag a rövidzárlatukat okozhatja.** Az akkumulátorokat használaton kívül tartsa a fémtárgyaktól, például gemkapcsoktól, pénzérméktől, kulcsoktól, szögektől, csavaroktól vagy más kis fémtárgyaktól távol, mert ezek összekapcsolhatják a pólusokat. Az akkumulátor pólusainak rövidzárlata égés- és tűzveszélyes.
- c) **Ne tegye ki hőnek vagy tűznek az akkumulátort. Ne tárolja közvetlen napfényben.**
- d) **Az akkumulátort ne tegye ki ütésnek.**
- e) **Ha az akkumulátor szivárog, vigyázzon, hogy a folyadék ne kerüljön a bőrre vagy szembe. Amennyiben a bőrre vagy szembe kerül, az érintett területet mossa le bő vízzel, és forduljon orvoshoz.**
- f) **Az akkumulátor vagy egy cella lenyelése esetén azonnal forduljon orvoshoz.**
- g) **Vigyázzon, hogy az akkumulátor tiszta és száraz maradjon.**
- h) **Ha az akkumulátor pólusaira szennyeződés kerül, azt egy tiszta, száraz ruhával törölje le.**
- i) **Az akkumulátort használat előtt fel kell tölteni. A töltést mindig az utasításoknak megfelelően, helyes eljárást használva végezze.**
- j) **Használaton kívül ne hagyja töltőn az akkumulátort.**
- k) **Hosszan tartó tárolást követően a maximális teljesítmény elérése érdekében szükséges lehet, hogy az akkumulátort többször feltöltse és lemerítse.**
- l) **Csak a Worx által javasolt töltővel töltsse fel. Kizárólag a készülékhez való használatra mellékelt töltőt használja.**
- m) **Ne használjon a készülékkel való használatra tervezettől eltérő akkumulátort.**

- n) Az akkumulátor gyermekektől távol tartandó.
- o) Őrizze meg a termékhez mellékelt utasításokat, a későbbiekben szüksége lehet ezekre.
- p) Amikor a szerszámot nem használja, vegye ki belőle az akkumulátort.
- q) Ártalmatlanításnál megfelelően járjon el.
- r) Ne helyezzen be különböző gyártóktól származó, illetve eltérő kapacitású, méretű vagy típusú akkukat a készülékbe.
- s) Az akkucsomag csomagolását csak közvetlenül a használat előtt távolítsa el.
- t) Figyeljen az akkun látható (+) és mínusz (-) polaritású jelzésekre az akku előírt használata érdekében.

A LANDROID-RE VONATKOZÓ INFORMÁCIÓK



FIGYELEM – Helytelen használat esetén a robotizált fűnyírógép veszélyessé válhat. Alaposan olvassa át a Felhasználói kézikönyvet és értse meg a tartalmát mielőtt a robotizált fűnyírógépet használatba venné.



FIGYELEM - Munka közben tartson biztonságos távolságot a kerti kisgéptől.



FIGYELEM – Mielőtt a gépen dolgozna vagy felemelné azt, működtesse a kiiktató felszerelést.



FIGYELEM –Ne üljön a gépre.



Li-Ion



Lítium-ion akkumulátor. A terméken található szimbólum arra utal, hogy minden akkumulátorcsomagot külön kell gyűjteni. Ezeket aztán újrahasznosítják vagy szétszerelik, hogy csökkentsék a környezetre gyakorolt hatását. Az akkumulátorcsomag veszélyes lehet a környezetre és az emberi egészségre nézve, mivel veszélyes anyagokat tartalmaz.



Ne dobja tűzbe



Ha nem megfelelően kezelik, az akkumulátor beléphet a vízkörbe, ami károsíthatja az ökoszisztémát. Ne dobja a használt elemeket nem rendezett hulladékként.



Ne szedje szét a készüléket engedély nélkül



A leselejtezett elektromos készülékek nem dobhatók a háztartási szemét közé. Ha a közelben van elektromos hulladékok gyűjtő központ, vigye oda a gépet. Az újrahasznosítási lehetőségekről tájékozódjon a helyi hatóságoknál vagy a kereskedőnél.



III. Érintésvédelmi osztályú készülék



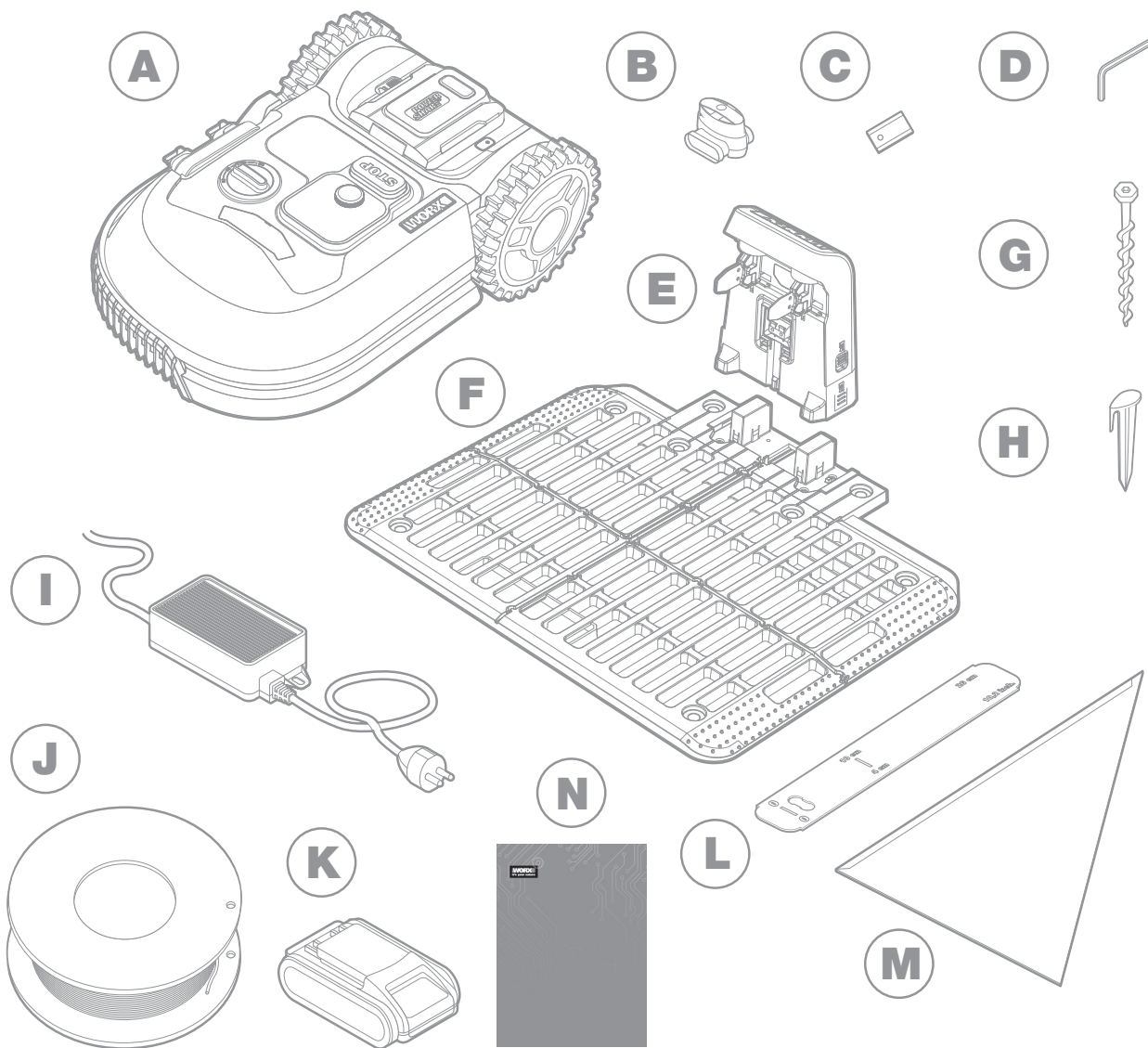
Olvassa el a kezelési kézikönyvet



Kivehető tápegység

Az ön Landroid készüléke más Worx funkcionális kiegészítőkkel együtt is használható. Az elérhető kiegészítőkkel kapcsolatos opciókról tájékozódhat, ha ellátogat a www.worxlandroid.com honlapra.

**ALKATRÉSZLISTA
A DOBOZ TARTALMA**



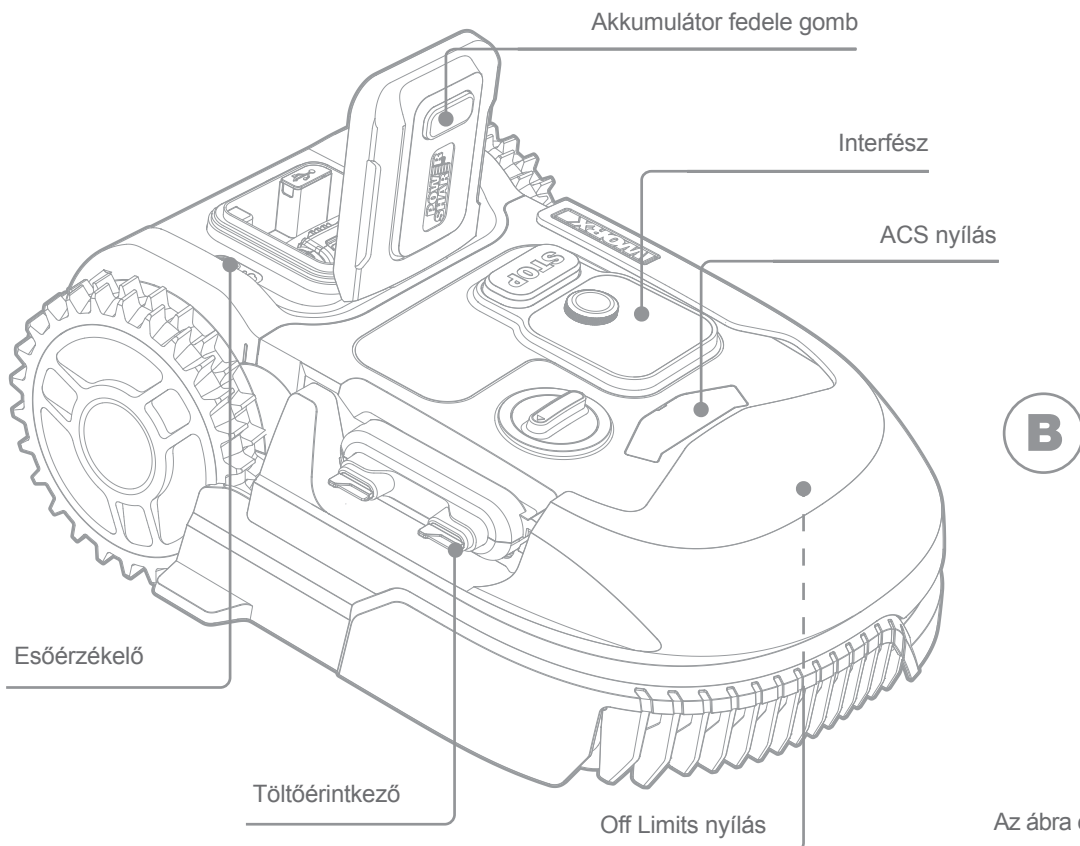
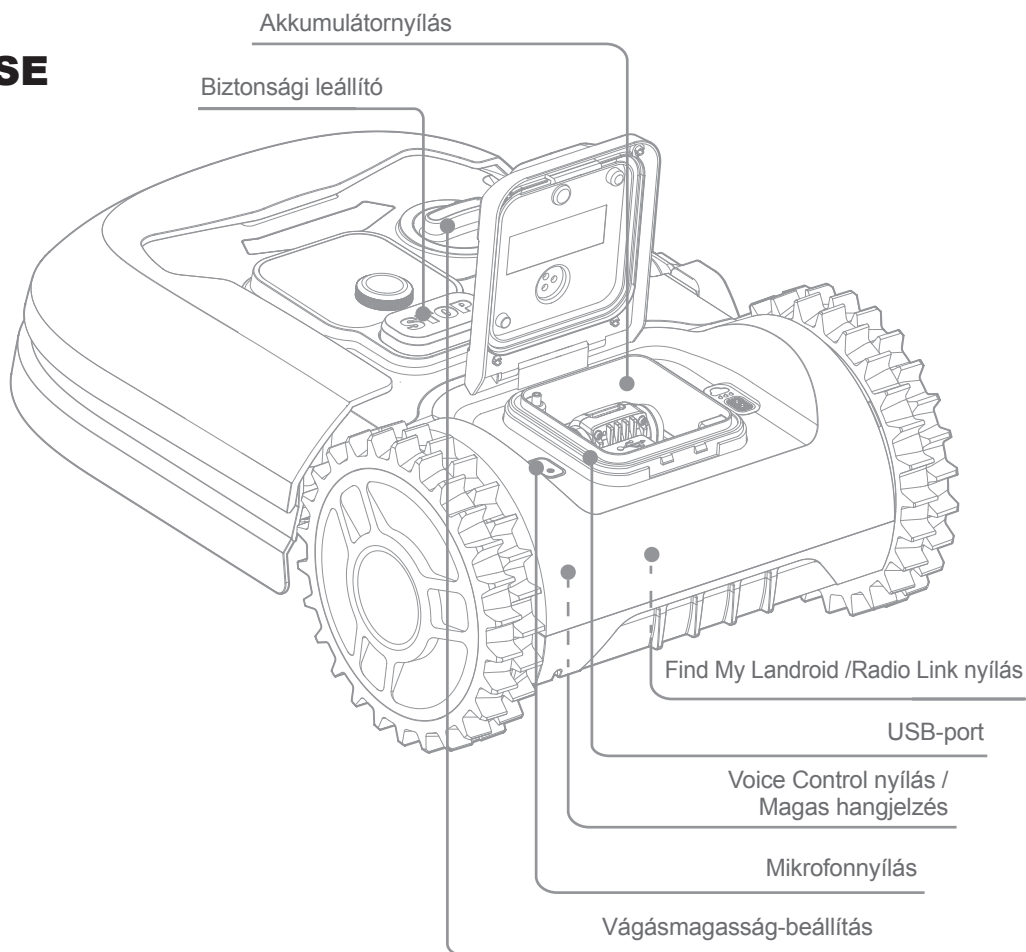
Az ábra csak tájékoztató jellegű

A	Worx Landroid
B	Huzaljavitó csatlakozó
C	Pótkés-készlet
D	Hex. kulcs
E	Töltőhalom
F	Töltőtalp
G	Csavar

H	Huzalrögzítők
I	Tápellátás
J	Határolóhuzal
K	20V akkumulátor
L	Határolóhuzal-távolságmérő
M	Háromszögvonalzó
N	Utasítás

A LANDROID MEGISMERÉSE

A



B

Az ábra csak tájékoztató jellegű

MŰSZAKI ADATOK

Típus **WR165E WR167E WR148E WR147E.1 (100-199 - a készülék jelölése, azaz a robotizált fűnyírógépe)**

	WR165E	WR167E	WR148E	WR147E.1
Névleges feszültség	20 V Max.*			
Üresjárat sebesség (/min)	2800		2400	
Vágási felület (m ²)	500	700	800	1000
Vágási átmérő (cm)	18		20	
Vágásmagasság (mm)	30-60			
Vágásmagasság beállítások	4			
Akkumulátor típusa	Lão de lítio			
Akkumulátor típusjelzése	WA3551.3	WA3553.3	WA3551.3	WA3553.3
Töltési idő Kb. (mins)	75	150	75	75
Töltő típusjelzése	WA3750.1/ WA3755.1			WA3775 / WA3776
Töltő besorolása	Entrada: 100-240 V~50/60 Hz, 38 W, Saída: 20V ,1.5 A			Entrada:100-240 V~50/60 Hz, 90 W, Saída: 20 V , 3.0 A
A készülék súlya (kg)	9.5	9.8	11.7	12
Védelmi osztály	III			
Alkalmazás (Wifi / Bluetooth)	Y			
A beépített WLAN-modul frekvenciasávja	2.412GHz-2.484GHz			
A beépített WLAN-modul rádiófrekvenciás max. teljesítménye	802.11b:+16±2dBm(@11Mbps) 802.11g:+14±2dBm(@54Mbps) 802.11n:+13±2dBm(@HT20,MCS7)			
Az induktív hurok rendszer frekvenciasávja	77 Hz			
Az induktív hurokrendszer maximális RF teljesítménye	82 dBµA/m			

* Terhelés nélküli feszültség. Az akkumulátor kezdő feszültsége maximum 20 volt. A névleges feszültség 18 volt.

ZAJSZINT ÉS MŰSZAKI ADATOK

	WR165E	WR167E	WR148E	WR147E.1
A-súlyozású hangnyomásszint	$L_{pA} = 45.5 \text{ dB(A)}$		$L_{pA} = 40.68 \text{ dB(A)}$	
	$K_{pA} = 0.6 \text{ dB(A)}$		$K_{pA} = 1.36 \text{ dB(A)}$	
A-súlyozású hangerő	$L_{WA} = 65.5 \text{ dB(A)}$		$L_{WA} = 61.56 \text{ dB(A)}$	
	$K_{WA} = 0.6 \text{ dB(A)}$		$K_{WA} = 1.36 \text{ dB(A)}$	

Ha a hangnyomásszint meghaladja a 80 dB (A)-t, viseljen hallásvédőt.



A gép működése közben egy bizonyos fokú zaj hallható, és ez nem kerülhető el. A zajos utcai munkálatokat azonban el kell kerülni és bizonyos időpontok között korlátozni kell. Még akkor is tartsa be a csendórákat, ha azok a munkavégzési órákat a minimálisra csökkentik. Az egészségük megóvása érdekében, a kezelőnek és a közelben dolgozóknak megfelelő hallásvédő eszközöket kell viselniük.

TARTOZÉKOK

	WR165E	WR167E	WR148E	WR147E.1
Csavar	9	9	9	9
Töltőbázis	1	1	1	1
Töltőbázist rögzítő szeg	8	8	8	8
Elkerítő huzal	130m	150m	150m	180m
Kábelrögzítő szeg	180	210	210	250
Hex. kulcs	1	1	1	1
Az elkerítő huzal távolságát mérő eszköz	2	2	2	2
Kés	9	9	9	9
Csatlakozó	2	2	2	2
Akkumulátor (WA3551.3)	1	/	1	/
Akkumulátor (WA3553.3)	/	1	/	1
Akkumulátortöltő (WA3750.1/ WA3755.1)	1	1	1	/
Akkumulátortöltő (WA3775 / WA3776)	/	/	/	1

Mi azt ajánljuk, hogy a fent felsorolt eredeti tartozékokat a készüléket forgalmazó boltból vásárolja meg. További részleteket a tartozék csomagolásán talál. Kérjen segítséget és tanácsot a bolti eladóktól.

RENDELTETÉS

A termék háztartási használatú fűnyírásra alkalmas. Ezt a gépet gyakori fűnyírásra tervezték és így az ön pázsítja egészségesebben és jobban fog kinézni. A pázsitos felület méretétől függően ezt a Landroid robotot korlátlan gyakoriságú és időpontú működésre lehet programozni. Ez a gép nem való ásásra, sepregetésre vagy hóeltakarításra.

KARBANTARTÁS

Landroidja keményen dolgozik, így időről-időre tisztítani és ellenőrizni kell. Útmutatónknak ez a szakasza abban segít, hogy Landroidját remek formában tartsa, ami így gond nélkül évekig szolgálhatja Önt. Így viselje gondját a Landroidjának Bármilyen szervizelési vagy karbantartási beavatkozás előtt kapcsolja ki a gépet.

AZ ÉLÉZÉS FENNTARTÁSA

- A. A késforgató tárcsa véletlenszerűen forog az óramutató járásával megegyező és azzal ellentétes irányba is, hogy mindkét vágóélt használja és minimalizálja a késcserék gyakoriságát.
- B. Mindegyik vágókés 2 hónapot is bír, ha napi fűnyírásra van programozva.
- C. Mindig ellenőrizze, hogy a kések nincsenek-e kicsorbulva vagy megsérülve, és ha igen, cserélje őket.
- D. Ha a vágókések tompák és lekoptak, le kell cserélni őket a Landroidjához adott pótkésekre. Pótkések beszerezhetők a legközelebbi Landroid kiskereskedésben is.

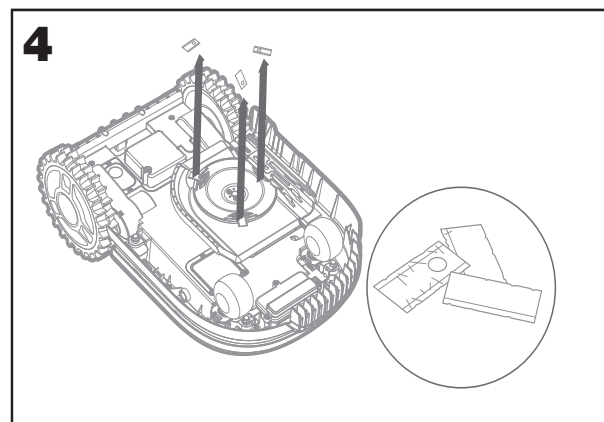
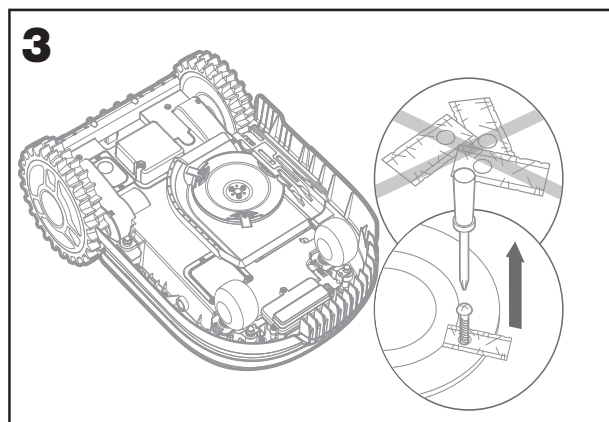
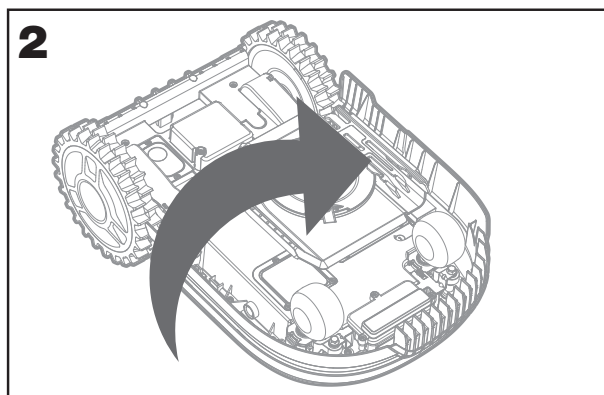
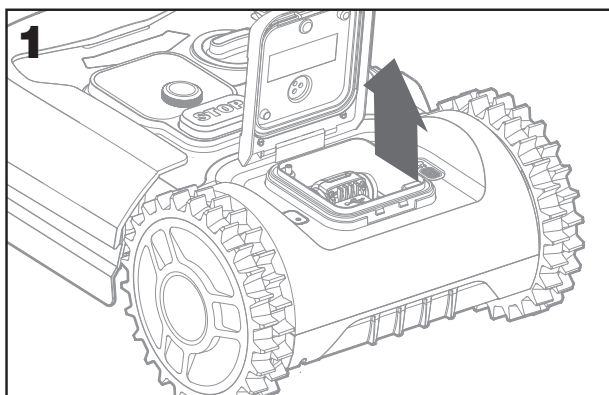
⚠️ VIGYÁZAT! A kések tisztítása, beállítása vagy cseréje előtt kapcsolja KI Landroidját, és távolítsa el az akkumulátort. Mindig viseljen védőkesztyűt.

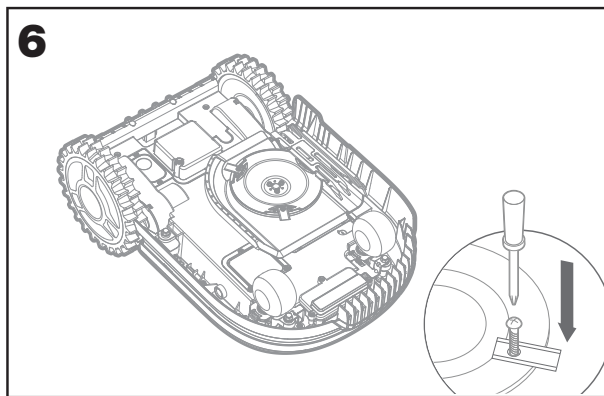
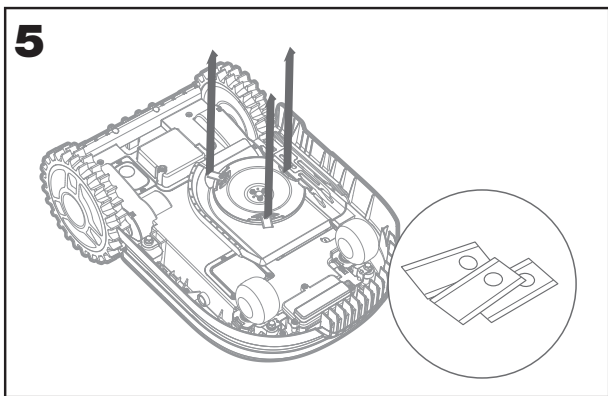
1. A kések cseréje

Távolítsa el az akkumulátort (1. ábra) és óvatosan fordítsa fejjel lefelé a Landroidot (2. ábra).

Csavarhúzóval távolítsa el a csavarokat a késekről (3-4. ábra).

Szorosan csavarozza fel az új késeket (5-6. ábra).



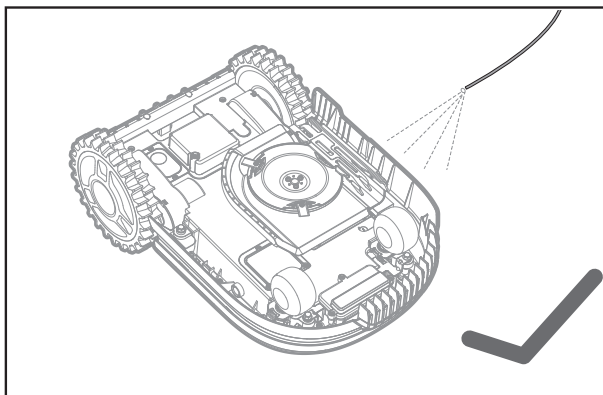
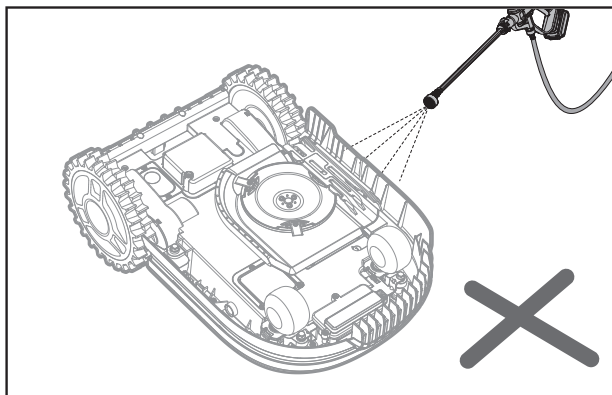


⚠ Figyelem: Új kések felszerelésekor ügyeljen arra, hogy az **ÖSSZES** kést cserélje. Kések felszerelésekor mindig használjon új csavarokat. Ez azért fontos, hogy garantálja a kés megtartását és kiegyensúlyozza a késforgató tárcsát. Súlyos sérülést okozhat, ha nem használ új csavarokat. Fontos: Miután rácsavarozta a kést a késtárcsára, győződjön meg arról, hogy a kés szabadon forog-e.

TISZTÁN TARTÁS

Landroidját rendszeresen tisztítani kell. Ez segít, hogy jó állapotban maradjon, különösen a kosz, a törmelék és a napi fűnyírásban felhalmozódott fű eltávolításával. A tisztítás előtt kapcsolja ki a Landroidot. A még nagyobb biztonság érdekében távolítsa el az akkumulátort.

- ⚠ Megjegyzés:** A Landroid tisztításakor ellenőrizze, hogy az akkumulátor fedele zárva van.
- ⚠ FIGYELEM! ÖN Landroid csak tömlővel lehet tisztítani! NE használjon magasnyomású mosót a Landroid. A nagynyomású víz behatolhat a tömítés belsejébe, és károsíthatja az elektronikus és mechanikus alkatrészeket.**



1.A felső készülékház tisztítása

- A. Tisztítsa vízzel megtöltött szórófejes palackkal. Ne használjon oldószert vagy polírozót.
- B. Az összegyűlt kosz eltávolítására használjon kefét vagy tiszta törlőruhát.

2. Az alsó rész tisztítása

- A. Fordítsa fejjel lefelé a Landroidot.
- B. Távolítsa el a törmeléket és a fűnyesedéket, az eltávolításhoz kefét használva.
- C. Legyen óvatos: a késeket ne érintse a kezével. Védelme érdekében viseljen kesztyűt.
- D. Gondosan tisztítsa meg a késtárcsát, a vázát és az első kerek(ek)et egy puha kefével vagy nedves ronggyal.
- E. Forgassa el a késtárcsát, meggyőződve annak szabad forgásáról. Távolítsa el az esetleges eltömődéseket. Távolítsa el az esetlegesen lerakódott törmeléket, nehogy repedést okozzon a késtárcsában. Még a legkisebb repedés is hatással van a fűnyírási teljesítményre.
- F. Ellenőrizze, hogy a kések szabadon forognak-e a rögzítőcsavarok körül. Távolítsa el az esetleges eltömődéseket.

3. Tisztítsa meg a hajtókerekeket.

- A. Egy kefével távolítsa el a sarat a kerekekről, gondoskodva a futófelület megfelelő tapadásáról.

4. A töltőérintkezők megtisztítása

- A. Tisztítsa meg a töltőtálon lévő érintkezőfejeket és a Landroidon található töltőcsíkokat egy törlőruhával.
- B. Rendszeresen távolítsa el az esetlegesen összegyűlt fűnyesedéket vagy törmeléket az érintkezőfejek és a töltőcsíkok körül,

garantálva ezzel, hogy a Landroid minden alkalommal sikeresen töltsön.

A TÖLTÖTTSÉG FENNTARTÁSA

A Landroid szíve a 20 V-os Li-ion Worx Powershare akkumulátor.

- A. Az akkumulátor megfelelő tárolásához gondoskodjon annak teljes feltöltéséről, és tartsa száraz, hűvös helyen
- B. A Landroid ajánlott üzemi hőmérséklete 0-55 °C között van.
- C. A Landroid akkumulátorának élettartama a használat óráinak számától és a fűnyírási időszakban a napi használat hosszától függ.

1. A Landroid feltölthető manuálisan, a határolóhuzal nélkül.

- A. A töltőtálcát csatlakoztassa megfelelő tápellátásra. A töltőtálp zöld fénye bekapcsol.
- B. Manuálisan dokkolja a Landroidot a töltőtálcára, a Landroid kikapcsolt állapotában.
- C. A töltőtálp zöld fénye villogni kezd, és a Landroid megkezdi a töltést.

TÁROLÁS A TÉL FOLYAMÁN

Bár a Landroidot úgy terveztük és építettük meg, hogy a legzordabb időjárási körülményeket is túlélje, azt ajánljuk, hogy a tél folyamán a szerszámoskamrájában vagy a garázsában tárolja. Készítse elő a téli hibernációra:

- A. Alaposan tisztítsa meg
- B. Teljesen töltsse fel az akkumulátort
- C. Kapcsolja ki a tápellátást

1. Visszaállítás a munkába tavasszal

Amikor eljön az ideje, hogy a Landroidot újraindítsa az új szezonban, kérjük, végezze el az alábbi ellenőrzéseket:

- A. Frissítse az időt és a dátumot az alkalmazás segítségével
- B. Ha oxidáció jeleit veszi észre a Landroid töltőérintkezőin és a töltőállomáson, tisztítsa meg őket finomszemcsés smirglivász-
onnal
- C. A működtetés előtt teljesen töltsse fel a Landroid akkumulátorát

A NAPRAKÉSZ ÁLLAPOT FENNTARTÁSA

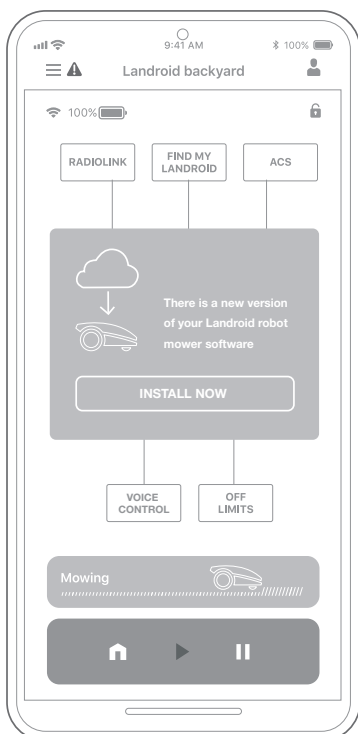
A Landroid folyamatosan fejlődés, és az új szoftververziók ingyenesen elérhetők. Mindig tartsa naprakészen a Landroid szoftverét, hogy a legtöbbet hozza ki a gépéből.

1. Vezeték nélküli frissítések

Ha Landroidja csatlakozik az Ön wifi-hálózatára, értesítést kap, amikor új szoftver érhető el az alkalmazáson keresztül. Amint megerősíti, a frissítés automatikusan megtörténik vezeték nélküli módban.

2. Ellenőrizze, melyik szoftververzióval rendelkezik.

A szoftver verzió száma a Landroid fűnyíró bekapcsolása után jelenik meg.



3. Manuális frissítések

- A. Landroidját pendrive segítségével még akkor is frissítheti a legújabb szoftververzióra, ha nem csatlakozik a wifi-hálózatára.
- B. Keresse fel rendszeresen a Worx Landroid weboldalát, hogy ellenőrizze, elérhető-e új verzió. Ha feliratkozott a Landroid levelezőlistára, értesítést kap, amikor új verzió érhető el.
- C. Töltse le weboldalunkról a legújabb szoftververziót.
- D. Vegyen egy FAT32 formázású üres pendrive-ot.
- E. Mentse el a .zip fájlt, és bontsa ki a tartalmát a pendrive-jára.
- F. Állítsa a Landroidot biztonságos, sík felületre.
- G. Kapcsolja ki a Landroidot.
- H. Menjen a Landroid hátuljához, hogy hozzáférjen az USB-porthoz.
- I. Helyezze be a pendrive-ot a portba.
- J. Helyezze a Landroidot ismét a pázsitra, a határolóhuzal által körbevett munkaterületre.
- K. Kapcsolja be a Landroidot.
- L. Távolítsa el a pendrive-ot a Landroid felemelése nélkül, amikor megjelenik az 'USB' felirat.
- M. A frissítés automatikusan elindul és némi időbe telik. A Landroid a frissítés végeztével automatikusan újraindul.


MEGJEGYZÉS: Ügyeljen arra, hogy az újraindításkor a Landroid a határvonalon belül legyen.

MŰKÖDÉSI ÜZENETEK

ÜZENET LANDROID AKCIÓ	ÜZENET LANDROID AKCIÓ
Fűvágás	Fűvágás a kaszálási ütemezés szerint.
Eső	Az esőérzékelő érzékeli a vizet. A Landroid visszatér töltőállomásra, és ebben a helyzetben marad, amíg be nem programozza. Száradás után a Landroid automatikusan elindítja az eső késleltetés visszaszámlálását, majd visszatér a kaszálás állapotába. Ha azt megelőzően szeretné kaszálni a Landroidot, csak kapcsolja ki, majd kapcsolja be újra, de csak akkor, ha az esőérzékelő száraz, vagy teljesen kiküszöbölheti az esés késleltetését az eső késleltetési idejének nullára állításával.
Gyere haza	Tölteni kell - a vágókés megáll az alap felé vezető úton
Töltés	A "Töltés" és a töltés százalékának megjelenítése.
Nincs munkaidő	Készenléti állapotban, szükség szerint be kell programozni.
Ma nem dolgozok	A készenlét a kaszálási ütemezésnek megfelelően indul.
Ma végzett munka	
Terület felkutatás	Az "Egyéni munkaterület" beállítása szerint a Landroid keres
Befejezte a töltést	Landroid befejezte a töltést.
Sürgősségi töltés	Sürgősségi töltés A Landroid kikapcsolt állapotban tölt.

HIBAÜZENETEK

Néha félremehetnek a dolgok. Szerencsére a Landroid kellően okos ahhoz, hogy szóljon Önnek, ha problémába ütközik, hogy aztán kijavíthassa. Kétség esetén kérjük, keresse fel a weboldalunkat, ahol hasznos videókat és további támogatást talál.

ÜZENET	OK	MŰVELET
	Az akkumulátor fedelét nincs becsukva	Csukja be az akkumulátor fedelét

Outside working area! Press START to reset.	A Landroid nem találja a határolóhuzal jelét.	1. Ha a Landroid tényleg kívül van a munkaterületén: kapcsolja ki a tápellátást, vigye be a Landroidot a munkaterületre, kapcsolja be a tápellátást, majd nyomja meg a START gombot. 2. Ha a Landroid a munkaterületén belül van, ellenőrizze, hogy a töltőtálpán lévő LED folyamatos zöld-e. Ha piros, ellenőrizze, megfelelően csatlakozik-e a határolóhuzal a töltőtálpához, és a talp megfelelő tápellátáshoz csatlakozik-e. Ha megfelelően vannak csatlakoztatva, akkor a határolóhuzal kapcsai vannak helytelenül rögzítve, és meg kell őket cserélni.
WRONG PIN! Please retry.	Helytelen a PIN-kód.	Adja meg a helyes PIN-kódot vagy állítsa be újra a PIN-kódját.
Blade motor fault! Press START to reset.	A késtárcsát blokkolja egy tárgy, pl. egy ág.	Kapcsolja ki a tápellátást. Fordítsa a Landroidot fejjel lefelé, és ellenőrizze, hogy akadályozza-e valami a késtárcsa forgását, valamint távolítsa el minden akadályt. Fordítsa vissza a Landroidot. Kapcsolja be a tápellátást. Nyomja meg a START gombot.
	A kést túlterheli a vastag, sűrű fű.	Kapcsolja ki a tápellátást. Vigye a Landroidot olyan területre, ahol rövid fű van vagy a vágásmagasságot igazítsa ki magasabb beállításra. Kapcsolja be a tápellátást. Nyomja meg a START gombot.
Wheels motor fault! Press START to reset.	A kerék motorja valamilyen módon blokkolva van.	Kapcsolja ki a tápellátást, és vigye a Landroidot akadályoktól mentes területre. Kapcsolja be a tápellátást. Nyomja meg a START gombot. Ha a hibaüzenet továbbra is megjelenik, kapcsolja ki a tápellátást. Fordítsa a Landroidot fejjel lefelé, és ellenőrizze, hogy akadályozza-e valami a kerekek forgását. Távolítsa el minden akadályt, fordítsa vissza a Landroidot, majd kapcsolja be a tápellátást.
Upside down! Press START to reset.	Ez úgy történhetett meg, hogy a Landroid lejtős felszínnel találkozott, amitől felborult.	Fordítsa vissza a Landroidot, és távolítsa el az esetleges akadályokat, amelyek miatt a Landroid felborulhatott.
Mower trapped! Press START to reset.	A Landroid elakadt.	Kapcsolja ki a tápellátást. Vigye a Landroidot a füve akadályoktól mentes területére, majd kapcsolja be a tápellátást. Nyomja meg a START gombot. Ha a hibaüzenet továbbra is megjelenik: kapcsolja ki a tápellátást, fordítsa a Landroidot fejjel lefelé. Ellenőrizze, hogy akadályozza-e valami a kerekek forgását. Távolítsa el az esetleges akadályokat, fordítsa vissza a Landroidot, majd kapcsolja be a tápellátást.
Mower lifted! Press START to reset.	A Landroid felemelt állapotban van.	Kapcsolja ki a tápellátást. Vigye a Landroidot akadályoktól mentes területre, majd kapcsolja be a tápellátást. Nyomja meg a START gombot. Ha a hibaüzenet továbbra is megjelenik: kapcsolja ki a tápellátást, fordítsa a Landroidot fejjel lefelé, és ellenőrizze, van-e bármi, ami a Landroidot megemeli. Az esetleges tárgyakat távolítsa el, fordítsa vissza a Landroidot, majd kapcsolja be a tápellátást.
Battery voltage too low! Please change battery.	Lemerült az akkumulátor.	Ebben az esetben ki kell kapcsolnia a Landroidot és a töltőtálpára kell helyeznie, majd megjelenik az 'Emergency charging' (Vésztöltés) üzenet, és a Landroid megkezdja a töltődést. Ha továbbra is fennáll az akkumulátorhiba, az akkumulátora megsérült és ki kell cserélni.
Wire missing! Press START to reset.	A gép nem találja a határolóhuzal jelét.	Ha a LED jelzőfény piros, ellenőrizze, hogy a határvonal megfelelően van-e csatlakoztatva a töltőtálpán lévő kapcsához Ha a probléma továbbra is fennáll, ellenőrizze, nincs-e elvágva a határolóhuzal.

Battery temperature out of range! Please wait.	Töltés közben a hőmérséklet túl magas (55°C-nál több), vagy túl alacsony (0°C-nál kevesebb).	A töltőegységet tegye olyan helyre, ahol nem magas és nem alacsony a hőmérséklet.
Can't find charge station press START to reset.	A határolóhuzal túllépte a maximális hosszt (350 m) vagy a gép energiája nem elég ahhoz, hogy visszatérjen a töltőállomásra.	Vigye a Landroidot a töltőállomásra.
Mower locked!	Ha engedélyezi a 'Lock Function' (Zárolás funkció) lehetőséget, akkor a Landroidja biztonsági intézkedésként zárolva lesz, ha 3 napig nem kap jelet a wifi routerétől. Ez úgy fordulhat elő, hogy a routere tápellátás nélkül maradt vagy Ön megváltoztatta a wifi routerét vagy a hálózati szolgáltatóját.	Kérjük, csatlakoztassa újra a Landroidot arra a wifi-hálózatra, amellyel eredetileg párosítva lett. Ha ez nem lehetséges, lépjen kapcsolatba a Vevőszolgálattal.

MEGJEGYZÉSEK

- A. Mielőtt bekapcsolná a tápellátást, mindig ellenőrizze, hogy a Landroid a munkaterületen belül van-e.
- B. Ha bármely okból — pl. party, játszó gyerekek stb. — a töltőtálpán szeretné parkoltatni a Landroidját: nyomja meg a Kezdőpont, majd az OK gombot. A Landroid visszamegy a talpra és ott marad. Kérjük, ne feledje, hogy ekkor a Landroid megvárja a következő ütemezett fűnyírás menetet. Ha bármikor újra szeretné indítani, a Landroid indításához nyomja meg a START, majd az OK gombot.
- C. Ha a pázsitjának ugyanazon a területén ismétlődik egy hiba, előfordulhat, hogy a határolóhuzallal van probléma, ezért tekintse meg az üzembe helyezési utasításokat, és a segítségével ellenőrizze, hogy helyes-e a kialakítása.
- D. Ha pázsítja két különálló területre oszlik, melyeket 1 m-nél keskenyebb folyosó köt össze, és amelyek közül az egyikén nincs töltőtálp: amikor a Landroid töltése lemerül, manuálisan vigye a töltőtálpra.
- E. Ha a Landroid néha rendellenesen üzemel, kérjük, nullázza úgy, hogy kikapcsolja, kiveszi 30 másodpercre az akkumulátort, majd újraindítja. Ha a problémát nem lehetett megoldani, kérjük, forduljon segítségért a Vevőszolgálathoz.


HIBAEELHÁRÍTÁS

Ha Landroidja nem működik megfelelően, kövesse az alábbi hibaelhárítási útmutatót. Ha a hiba továbbra is fennáll, lépjen kapcsolatba a Vevőszolgálattal.


TÜNET	OK	MEGOLDÁS
A töltőtálp LED fénye nem kapcsol be.	Nincs tápellátás.	Ellenőrizze, hogy a töltőtálp megfelelően csatlakozik-e a töltőre, illetve a töltő megfelelő tápellátásra csatlakozik-e.
Piros fény a töltőtálpban.	A határolóhuzal nincs csatlakoztatva.	Ellenőrizze, hogy a határolóhuzal megfelelően van-e csatlakoztatva a töltőtálpra. Ellenőrizze, hogy nincs-e megtörve a határolóhuzal.
A Landroid bekapcsol, de a késtárcsa nem forog.	A Landroid a töltőtálpot keresi.	Ez normális: amikor a Landroidnak töltődnie kell, a késtárcsa nem forog, amíg a gép automatikusan megkeresi a töltőtálpot.
A Landroid vibrál.	Nincs egyensúlyban a késtárcsa.	Patikrinkite ašmenis, jei reikia, juos pakeiskite. Pašalinkite nešvarumus ir pašalinius daiktus nuo ašmenų ir ašmenų disko.

TÜNET	OK	MEGOLDÁS
A fű egyenetlenül van levágva.	A Landroid nem dolgozik naponta elég órát ahhoz, hogy a fűvet levágja.	Próbáljon meg további órákat hozzáadni a fűnyírási ütemezéshez.
	A lenyírandó terület túl nagy az Ön Landroidjának méretéhez.	Próbálja csökkenteni a lenyírandó terület méretét vagy a munkaidő növelése
	A kések tompák, nem élesek.	A késtárcsa kiegyensúlyozásához cserélje az összes kést és csavart.
	A vágásmagasság a fű méretéhez képest túl alacsonyra van állítva.	Növelje a vágásmagasságot, majd fokozatosan csökkentse.
	A késtárcsa köré fű vagy más tárgy tekeredett.	Ellenőrizze a késtárcsát, és távolítsa el az esetleges fűvet vagy más tárgyakat, amelyek akadályozzák a forgását.
	Fű gyűlt fel a késtárcsában vagy a motorházban.	Győződjön meg arról, hogy a késtárcsa könnyedén forog-e. Szükség esetén leveheti a késtárcsát, majd eltávolíthatja a törmeléket.
Landroidja a munkaterületen belül van és a határolóhuzal csatlakoztatva van, de a kijelzőn az „- E1 -” felirat látható.	A határolóhuzal végei nem megfelelően vannak rögzítve.	Cserélje fel a határolóhuzal végeit, majd csatlakoztassa őket újra a töltőállomásra.
A töltési idő sokkal hosszabb, mint a névleges töltési idő.	Törmelék miatt gyengén csatlakozik a töltőcsík.	Tisztítsa meg a töltőtálcán lévő érintkezőfejeket és a Landroidon lévő töltőcsíkot egy törlőruhával.
	Magas hőmérséklet miatt aktiválódott a töltő védőprogramja.	Helyezze a töltőtálcát árnyékos területre vagy várja meg, amíg lecsökken a hőmérséklet.
A fűnyíró nem töltődik.	Nincs tápellátás.	Ellenőrizze, hogy a tápellátás vezetéke megfelelően csatlakozik-e a töltőre, illetve a töltő megfelelő tápellátásra csatlakozik-e. Győződjön meg arról, hogy a fűnyíró lévő mindkét töltőcsík a töltőtálcán lévő érintkezőcsíkok közepével érintkezik-e.
A Landroid egyre rövidebb ideig üzemel két töltés között.	Valami eltömíti a késtárcsát, sűrűdést és növekvő energiafogyasztást okozva.	Vegye le a késtárcsát és tisztítsa meg. Lehet, hogy túl magas és túl sűrű a fű.
	A Landroid erősen rázkódik, mert kiegyensúlyozatlan a késtárcsa.	Ellenőrizze a késtárcsát és a késeket, távolítsa el a törmeléket és az idegen tárgyakat a késekről és a késtárcsáról. Cserélje a késeket új szettre.
	Az akkumulátor kimerülhetett vagy régi.	Cserélje az akkumulátort.
	A munkaidő letelt	Indítsa újra a munkaidőt

A Landroid nem a megfelelő időben üzemel.	Az óra nem a megfelelő időre van beállítva.	Állítsa be az órát a megfelelő időre.
	A Landroid beprogramozott vágási idői nem megfelelőek.	Módosítsa a fűnyíró elindulásának és leállításának időbeállításait.
	Heti uptime százalékos APP beállítás megváltozott.	Állítsa be a megfelelő százalékos APP.
A Landroid nem tud megfelelően dokkolni a töltőtalpra.	Környezeti hatások.	Indítsa újra a Landroidot.
	Törmelék miatt gyengén csatlakozik a töltőcsík.	Tisztítsa meg a töltőtalpon lévő érintkezőfejeket és a Landroidon lévő töltőcsíkot egy törülőruhával.
A töltőtalpon lévő zöld fény még az előtt bekapcsol, hogy a töltés befejeződjön.	A töltőegység túlmelegszik vagy lehül	A töltőegységet tegye olyan helyre, ahol nem magas és nem alacsony a hőmérséklet.
A Landroid kerekei megszaladnak vagy újra és újra megcsúsznak.	Lehet, hogy idegen tárgyak, például gallyak vagy ágak akadtak be a Landroid alá.	Távolítsa el az idegen tárgyakat a Landroid aljáról.
	A pázsit túl nedves.	Várjon, amíg felszárad a pázsit.
A Landroidot a határolóhuzalon kívül üzemel. A Landroid nem nyír le egy területet a határolóhuzal zónáján belül. A Landroid visszafordul vagy összevissza forog a határolóhuzal közelében.	Egy másik Landroid vagy robotfűnyíró határolóhuzalja túl közel helyezkedik el.	Gondoskodjon legalább 1 m távolságról a saját és szomszédja határolóhuzalja között.
	Nyirkos időben a határolóhuzal elektromos jele szivároghat ott, ahol a huzalt összekötötték vagy rosszul javították meg.	Ellenőrizze a határolóhuzal összeköttetéseit. Szigetelje le, hogy teljesen vízmentes csatlakozást biztosítson.
	Megszakadt szigetelés miatt szivárog a határolóhuzal elektromos jele.	Javítsa a megsérült határolóhuzalt a csomaghoz mellékelt huzalcsatlakozókkal.
A Landroid lejtmenetben kicsúszik a munkaterületéről.	Gyenge a Landroid hajtókerekeinek tapadása.	Kérjük, ellenőrizze, hogy a kerekek tiszták és sármentesek-e, hogy a lehető legjobb legyen a tapadásuk.
A Landroid operációs rendszere összeomlik töltés vagy készenlét során.	Szoftver- vagy kijelzőhiba.	Indítsa újra a Landroidot.
A Landroid kikapcsol, amikor a töltőtalpon dokkol.	A Landroid a túlmelegedésvédelem miatt nem tud töltődni és kikapcsolódott.	Helyezze a töltőtalpat árnyékos területre vagy várja meg, amíg lecsökken a hőmérséklet.
	Gyenge csatlakozás.	Ellenőrizze a LED fényt a töltőtalpon. Ellenőrizze a csatlakozást a töltőtalpon lévő érintkezőfejek és a töltőcsík között.
A Landroid leáll a munkaterületen.	Akadály van a munkaterületen.	Távolítsa el az akadályt a Landroid munkaterületéről.
	A vágásmagasság a fű méretéhez képest túl alacsonyra van állítva vagy a fű túl sűrű.	Növelje a vágásmagasságot, majd fokozatosan csökkentse.
	A meghosszabbított határolóhuzalnak nem szabad túllépnie a 350 métert, különben probléma lehet a jellel.	Csökkentse a határolóhuzal hosszát.
	A pázsit közepe és a határolóhuzal közötti távolság nem lépheti túl a 25 métert, különben gyengülhet a jel.	Csökkentse a pázsit közepe és a határolóhuzal közötti távolságot 25 m alá.
A Landroid felborul.	A pázsiton lejtős akadály van.	Iktassa ki az akadályt a Landroid munkaterületéről.

<p>A Landroidnak nem sikerül csatlakoznia az internetre.</p>	<p>Kérjük, ellenőrizze, hogy megfelelőek-e a routere beállításai.</p>	<p>Győződjön meg arról, hogy a routere 2,4 GHz-es. Ha routerének kétféle beállítása van, kérjük, engedélyezze a 2,4 GHz-es sávot. Gondoskodjon arról, hogy routere beállítása 802.11 üzemmód és vegyes b/g/n vezeték nélküli beállítás legyen. Gondoskodjon routerén az SSID sugárzás funkció engedélyezéséről, amikor a gépet az alkalmazás segítségével csatlakoztatja. A sikeres csatlakozás után bezárhatja. Gondoskodjon a DHCP funkció engedélyezéséről. Ha módosította a wifi-hálózatát, csatlakoztatnia kell a Landroidot az új hálózatra. Ha „Fritz!box” routere van, kérjük, ügyeljen arra, hogy a beállításokban aktiválja az „Allow communication between devices in same network” (Kommunikáció engedélyezése az azonos hálózaton lévő eszközök között) lehetőséget.</p>
<p>A "Hónap / Óra / Perc" beállításakor aLandroid sípol,</p>	<p>Ellenőrizze le, hogy a router nincs-e leválasztva, vagy nincs-e változás az SSID WIFI-ben</p>	<p>Győződjön meg a router csatlakozásról és a helyes SSID WIFI-ről</p>
	<p>Ez normális</p>	<p>balra  a beállításhoz.</p>

KÖRNYEZETVÉDELLEM

 A leselejtezett elektromos készülékek nem dobhatók ki a háztartási hulladékkal. Ha van a közelben elektromos hulladék gyűjtő udvar, vigye oda a készüléket. Az újrahasznosítási lehetőségekről tájékozódjon a helyi hatóságoknál vagy a kereskedőnél.

MEGFELELŐSÉGI NYILATKOZAT

A gyártó,
Positec Germany GmbH
Grüner Weg 10, 50825 Cologne, Germany

A Positec nevében kijelenti, hogy a termék

Leírás **Robotizált fűnyírógép**

Típus **WR165E WR167E WR148E WR147E.1(100-199 - a készülék jelölése, azaz a robotizált fűnyírógépé)
(A sorozatszám a hátoldalon található) WA3775 / WA3776 / WA3750.1/ WA3755.1 akkutöltővel és
WA4002.1 töltőbázissal**

Rendeltetés **Fűnyírás**

Megfelel a következő irányelveknek,

**2006/42/EC, 2014/30/EU, 2014/35/EU, 2011/65/EU&(EU)2015/863, 2000/14/EC módosítva 2005/88/EC,
2014/53/EU**

WR165E WR167E

2000/14/EC módosítva 2005/88/EC

- Megfelelőség-felmérési eljárás az V. függelék értelmében
- Mért hangerő-szint **65.5 dB (A)**
- Garantált hangerő-szint **67 dB (A)**

WR148E WR147E.1

2000/14/EC módosítva 2005/88/EC

- Megfelelőség-felmérési eljárás az V. függelék értelmében
- Mért hangerő-szint **61.56 dB (A)**
- Garantált hangerő-szint **63 dB (A)**

Tanúsítási szervezet

Név: Intertek, Semko AB (tanúsítási szervezet0413)

Cím: Torshamnsgatan 43164 22 Kista Sweden

Tanúsítvány száma: 201002326SHA-V1

Az alábbi normáknak,

**EN 60335-1:2012+A11+A13+A1+A14+A2:2019, EN 50636-2-107:2015+A1+A2:2020,
EN 60335-2-29:2004+A2+A11:2018, EN 62233:2008, EN 55014-1:2017+A11:2020,
EN 55014-2:2015, EN IEC 61000-3-2:2019, EN 61000-3-3:2013+A1:2019, EN ISO 3744:2005,
EN 300 328 V2.2.2, EN 301 489-1 V2.2.3, EN 301 489-17 V3.2.4, EN IEC 62311:2020,
EN 61558-1:2005+A1:2009, EN 61558-2-16:2009+A1:2013,
EN 55011:2016+A11:2020,
EN 303 447 V1.1.1
EN 55032:2015+A11:2020, EN 55035:2017+A11:2020**

A műszaki dokumentáció összeállítására jogosult személy,

Név Marcel Filz

Cím Positec Germany GmbH, Grüner Weg 10, 50825 Cologne, Germany



2020/12/02

Allen Ding

Helyettes főmérnöke, Tesztelés és minősítés

Positec Technology (China) Co., Ltd

18, Dongwang Road, Suzhou Industrial

Park, Jiangsu 215123, P. R. China

SECURITATEA PRODUSULUI INSTRUCȚIUNI GENERALE ȘI SUPLIMENTARE DE SIGURANȚĂ

⚠️ AVERTISMENT: Citiți toate avertismentele de siguranță și toate instrucțiunile. În caz de nerespectare a avertismentelor și instrucțiunilor, există riscul electrocutării, izbucnirii incendiilor și/sau al accidentării grave.

Citiți cu atenție instrucțiunile pentru utilizarea în siguranță a mașinii.

Păstrați toate avertismentele și instrucțiunile pentru consultări ulterioare.

- Acest echipament nu trebuie utilizat de persoane (inclusiv copii) cu capacități fizice, senzoriale sau mintale reduse sau care nu au experiența și cunoștințele necesare, cu excepția cazului când sunt supravegheate sau au fost instruite în ceea ce privește utilizarea echipamentului de către o persoană răspunzătoare de siguranța lor.

- Supravegheați copiii pentru a vă asigura că nu se joacă cu echipamentul.

- Această instalație poate fi utilizată doar cu unitatea de alimentare care a fost livrată cu această instalație.

- Bateria acestui dispozitiv poate fi înlocuită numai de personal calificat.

AVERTIZARE: Pentru a încărca bateria, utilizați numai unitatea de alimentare detașabilă care vine cu dispozitivul.

AVERTISMENT: Pentru a reduce riscul de rănire a persoanelor și deteriorare a mașinii, nu îndepărtați pachetul de baterii înainte de oprirea mașinii.

IMPORTANT

CITIȚI CU ATENȚIE ÎNAINTE DE UTILIZARE PĂSTRAȚI PENTRU CONSULTĂRI ULTERIOARE

Practici de utilizare în siguranță

Instruirea

- Citiți cu atenție instrucțiunile. Familiarizați-vă cu comenzile și cu utilizarea corectă a echipamentului;
- Nu permiteți niciodată copiilor sau persoanelor nefamiliarizate cu aceste instrucțiuni să utilizeze mașina de tuns iarba. Reglementările locale pot restricționa vârsta operatorului;
- Rețineți că operatorul sau utilizatorul este responsabil pentru accidente sau pericolele care implică alte persoane sau proprietatea acestora.

Pregătirea

- Asigurați instalarea corectă a sarmei de delimitare conform instrucțiunilor de folosire.
- Verificați regulat sectorul în care este utilizată scula de grădină și îndepărtați pietrele, bețele, sarmele cat și alte corpuri străine.
- Verificați regulat scula de grădină pentru a vă asigura că, cuțitele, șuruburile de cuțite și dispozitivul de tăiere nu sunt uzate sau deteriorate. Înlocuiți cuțitele și șuruburile de cuțite uzate ca set complet pentru a evita dezechilibrele.
- Aveți grijă la utilizarea mașinilor cu mai multe lame, deoarece rotirea unei lame poate cauza rotirea celorlalte.
- AVERTISMENT!** Este interzisă utilizarea robotului de tuns iarba dacă apărătoarea nu este fixată la locul ei.

Funcționarea

1. Generalități

- Nu folosiți în niciun caz scula de grădină cu apărătoare de protecție deteriorate sau fără echipamente de siguranță, de exemplu: fără deflectoare montate;
- Nu țineți mâinile și picioarele în apropierea sau sub piesele care se rotesc. Mențineți întotdeauna neobturat orificiul de golire;
- Nu ridicați respectiv nu transportați scula electrică de grădină cu motorul pornit.

- d) Activați dispozitivul de oprire a robotului:
 - înainte de a îndepărta blocajele;
 - atunci când verificați, curățați sau lucrați la scula electrică de grădină,
- e) Se interzice modificarea designului original al robotului de tuns iarba. Toate modificările efectuate se vor face pe propria răspundere.
- f) Porniți robotul de tuns iarba conform acestor instrucțiuni. Înainte de a apăsa butonul Power (Pornit), asigurați-vă că mâinile și picioarele dvs. se află la o distanță sigură de lamele rotative. Nu așezați niciodată mâinile și picioarele sub mașina de tuns iarba.
- g) Nu ridicați niciodată robotul de tuns iarba și nu-l transportați niciodată cu butonul Power activat.
- h) Nu permiteți utilizarea robotului de tuns iarba niciunei persoane neinstruite vizavi de funcționarea și comportamentul acestuia.
- i) Nu așezați nimic pe partea superioară a robotului sau pe baza lui de reîncărcare.
- j) Nu permiteți ca robotul de tuns iarba să fie utilizat cu discul lamelor sau cu carcasa defectă. Mașina nu trebuie utilizată cu lame, șuruburi, piulițe sau cabluri defecte.
- k) Opriți întotdeauna robotul de tuns iarba dacă nu intenționați să-l utilizați. Robotul de tuns iarba poate fi pornit numai după apăsarea butonul Power și după introducerea codului PIN corect.
- l) Nu așezați mâinile sau picioarele în apropierea sau sub piesele rotative. Nu țineți niciodată mâinile sau picioarele în apropierea mașinii sau sub mașină atunci când aceasta este în funcțiune.
- m) Evitați utilizarea mașinii și a perifericelor sale în condiții meteo potrivnice, mai ales atunci când există riscul unor fulgere.
- n) Nu atingeți părțile componente în mișcare care vă pot accidenta înainte de oprirea lor completă.
- o) Pentru mașini folosite în locuri publice, semnele de avertizare ar trebui să fie puse în jurul locului de muncă de lângă mașină. Vor arăta substanțele cu următorul text:
ATENȚIE! Mașină de tuns iarba automată! Stați de parte de mașină! Supervizați copiii!

2. Completări valabile în cazul în care mașina funcționează automat

- a) Nu lăsați nesupravegheată mașina dacă aceasta lucrează în apropierea animalelor de companie, a copiilor sau a adulților nevizitați.

Întreținerea și depozitarea

AVERTISMENT! Dacă robotul urmează să fie răsturnat, alimentarea lui trebuie întreruptă prin apăsarea butonului Power.

Butonul Power trebuie apăsat și trebuie întreruptă alimentarea electrică a mașinii înainte de toate intervențiile efectuate sub mașină, cum ar fi curățarea ei sau înlocuirea lamelor.

- a) Mențineți toate piulițele, bolțurile și șuruburile strânse pentru a vă asigura că echipamentul este în bună stare de funcționare;
- b) Inspectați robotul în fiecare săptămână și, pentru siguranța exploatarei, înlocuiți toate părțile învechite sau deteriorate;
- c) Verificați mai ales starea lamelor și a discului de fixare a lamelor. Dacă este necesară înlocuirea lamelor, înlocuiți și șuruburile lor de fixare, pentru a păstra echilibrul părților rotative.
- d) Asigurați-vă că piesele de schimb folosite la înlocuirea celor vechi sunt originale și de tipul prescris;
- e) Asigurați-vă că reîncărcarea acumulatorului va fi efectuată cu încărcătorul recomandat de către fabricant. Utilizarea incorectă a încărcătorului poate duce la electrocutare, supraîncălzire sau scurgerea unui lichid coroziv din acumulator;
- f) În cazul scurgerii electrolitului și intrarea în contact cu acesta, clătiți partea respectivă cu apă sau cu agent de neutralizare, iar dacă a intrat în contact cu ochii dvs., adresați-vă medicului;

g) Repararea mașinii trebuie efectuată cu respectarea strictă a instrucțiunilor fabricantului.

Recomandare

Conectați mașina și/sau perifericele ei la un circuit de alimentare electrică care este protejat de un întrerupător acționat de curentul rezidual (RCD), cu o intensitate a curentului de declanșare care nu depășește 30 mA.

Riscuri reziduale

Pentru a evita leziunile corporale, purtați mănuși de protecție speciale la schimbarea lamelor.

Transportul mașinii

Transportul robotului de tuns iarba pe distanțe lungi trebuie efectuată în ambalajul lui original. Mutarea în siguranță a mașinii în cadrul perimetrului de lucru:

a) Apăsăți butonul STOP pentru a opri robotul de tuns iarba.

La prima pornire a robotului de tuns iarba, selectați un cod PIN alcătuit din patru cifre.

b) Opriți întotdeauna robotul dacă intenționați să-l mutați într-un alt loc.

c) Mutați robotul prin apucarea mânerului aflat în față, sub mașină. Transportați robotul ținând discul lamelor departe de corpul dvs.

Cereri expunere RF

Pentru a satisface cererile expunerii, o distanță de separație de 200mm sau mai mult trebuie să fie între acest dispozitiv și persoane în timpul operării acestui dispozitiv.

Pentru a asigura conformitatea, operațiunile la o distanță mai aproape de nu este recomandată.

Antena folosită pentru acest transmițător nu trebuie să fie localizată în conjunctura cu orice altă antenă sau transmițător.

Avertismente de siguranță pentru acumulator

a) Nu demontați, deschideți sau rupeți celulele sau acumulatorul.

b) Nu scurtcircuitați un acumulator. Nu depozitați acumulatorii la întâmplare într-o cutie sau într-un sertar unde s-ar putea scurtcircuita între ele sau prin materiale conductoare. Când acumulatorul nu este utilizat, țineți-l la distanță de alte obiecte metalice, precum agrafele de birou, monede, chei, cuie, șuruburi sau alte obiecte metalice mici, care pot crea contact între cele două borne. Scurtcircuitarea bornelor acumulatorului poate cauza arsuri sau incendii.

c) Nu expuneți acumulatorul la căldură sau foc. Evitați depozitarea în lumina directă a soarelui.

d) Nu supuneți acumulatorul la șocuri mecanice.

e) În cazul scurgerii acumulatorului, aveți grijă ca lichidul să nu intre în contact cu pielea sau ochii. În cazul contactului, spălați zona afectată cu apă din belșug și solicitați asistență medicală.

f) Consultați medicul imediat dacă ați înghițit o celulă sau un acumulator.

g) Mențineți acumulatorul curat și uscat.

h) Ștergeți bornele acumulatorului cu o cârpă curată și uscată dacă se murdăresc.

i) Acumulatorul trebuie încărcat înainte de utilizare. Consultați întotdeauna aceste instrucțiuni și utilizați procedura de încărcare corectă.

j) Nu lăsați acumulatorul la încărcat dacă nu îl utilizați.

k) După perioade extinse de depozitare, poate fi necesară încărcarea și descărcarea acumulatorului de mai multe ori pentru a obține performanțe maxime.

l) Reîncărcați folosind doar încărcătorul specificat de Worx. Nu utilizați niciun alt încărcător în afară de cel conceput specific pentru utilizarea cu acest

echipament. Un încărcător destinat unui anumit tip de acumulator poate genera riscul de izbucnire a incendiilor dacă este utilizat cu un alt acumulator.

- m) Nu utilizați acumulatoare care nu sunt concepute pentru utilizarea cu acest echipament.**
- n) Nu lăsați acumulatorul la îndemâna copiilor.**
- o) Păstrați documentația originală a produsului pentru consultări ulterioare.**
- p) Scoateți acumulatorul din echipament dacă nu îl utilizați.**
- q) Depuneți acumulatorul la deșeurile în mod corespunzător.**
- r) Nu introduceți în aparat acumulatoare care provin de la producători diferiți sau cu capacități, dimensiuni sau tipuri diferite.**
- s) Nu scoateți pachetul de acumulatoare din ambalajul lui original decât în momentul premergător utilizării acestuia.**
- t) Țineți cont de polaritatea (+) și (-) indicate pe acumulator pentru a asigura o utilizare corectă a acestuia.**

INFORMAȚII REFERITOARE LA ROBOTUL LANDROID



AVERTISMENT – robotul de tuns iarba poate deveni o unealtă periculoasă dacă este utilizat într-un mod greșit.
Citiți instrucțiunile de folosire înainte de a pune în funcțiune scula de grădină.



AVERTISMENT - mențineți o distanță sigură față de scula de grădină cât timp aceasta lucrează.



AVERTISMENT - înainte de a executa lucrări la scula de grădină sau de a o ridica, acționați dispozitivul de deconectare al acesteia



AVERTISMENT – Nu folosiți scula de grădină ca mijloc de transport.



Li-Ion



Baterie Li-Ion. Acest produs a fost marcat cu simbolul referitor la 'colectarea separată' a tuturor blocurilor de baterii și a carcasi de baterie. Acestea vor fi apoi reciclate sau demontate pentru a se reduce impactul asupra mediului. Blocurile de baterii pot fi periculoase pentru mediu și sănătatea umană pentru că ele conțin substanțe periculoase.



Nu ardeți



Dacă nu este manipulată corect, bateria poate intra în ciclul de apă, ceea ce poate provoca daune ecosistemului. Nu aruncați bateriile uzate ca deșeuri municipale nesortate



Nu dezamblați mașina fără autorizație



Produsele electrice nu trebuie depuse la deșeuri împreună cu gunoiul menajer. Vă rugăm să depuneți produsele electrice la unitățile de reciclare existente. Consultați-vă cu autoritățile locale sau cu distribuitorul pentru sfaturi privind reciclarea.



Aparat electric de clasa a III-a



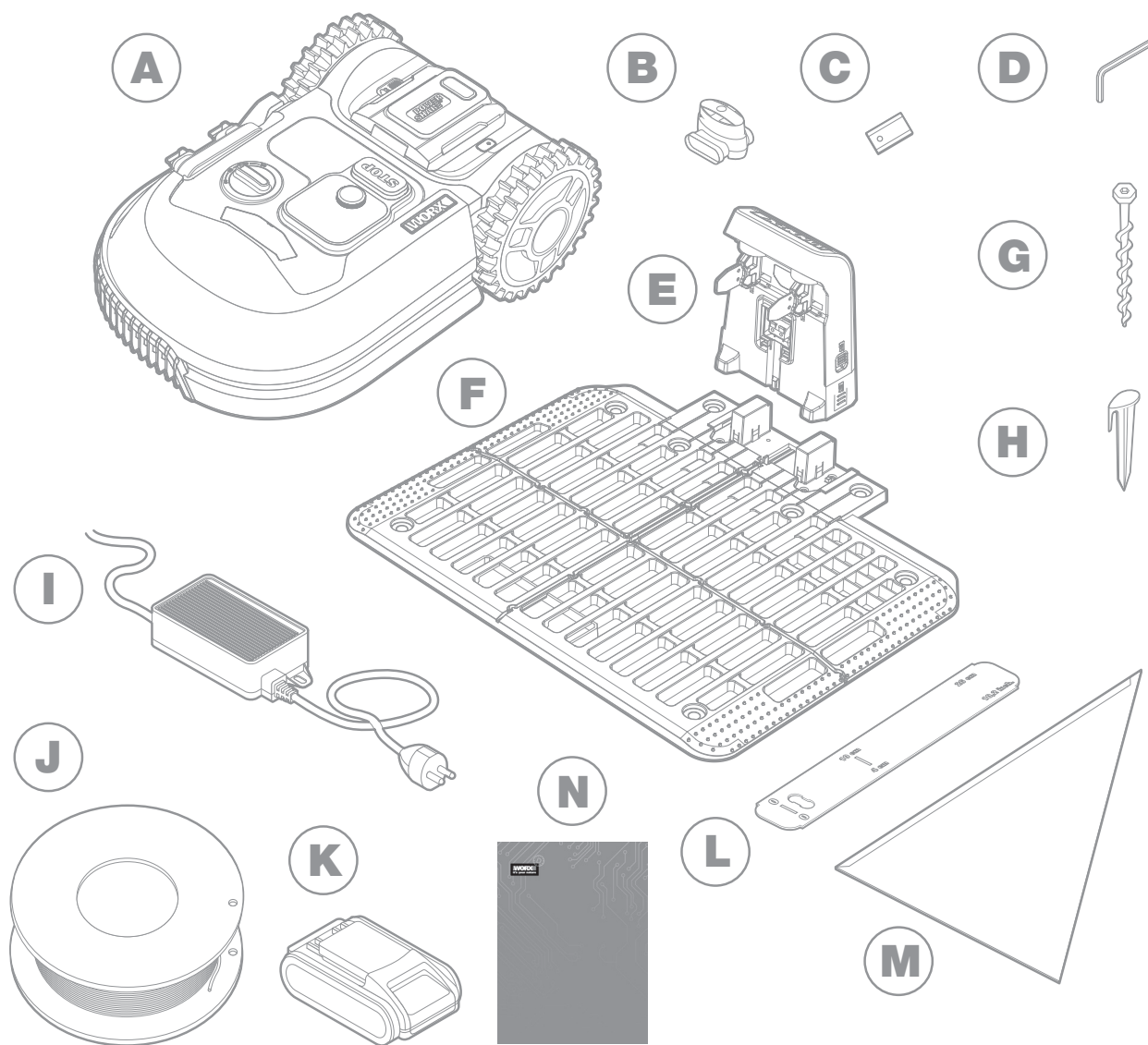
Citiți manualul de utilizare



Unitate de alimentare detașabilă

Landroid dumneavoastră poate fi folosit cu alte accesorii Worx funcționale. Vizitați www.worxlandroid.com pentru a ști mai multe despre aceste opțiuni accesorii disponibile.

**LISTĂ DE COMPONENTE
CE ESTE INCLUS ÎN PACHET**

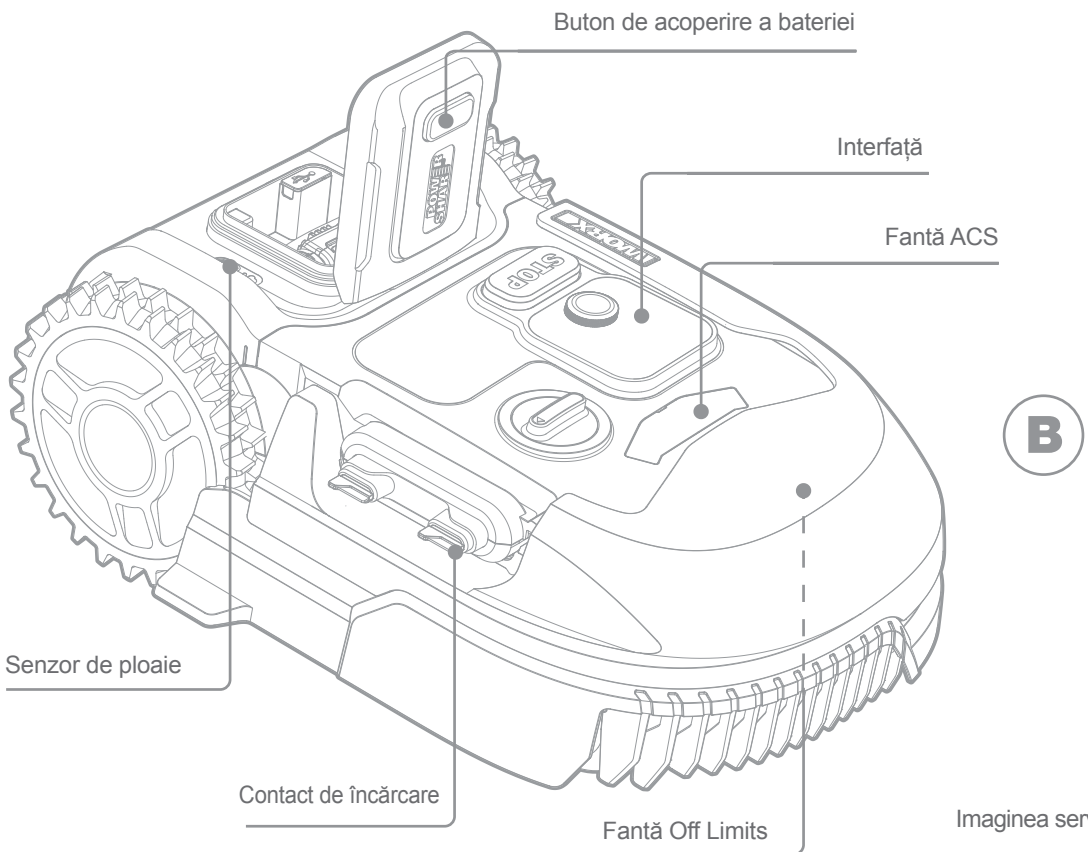
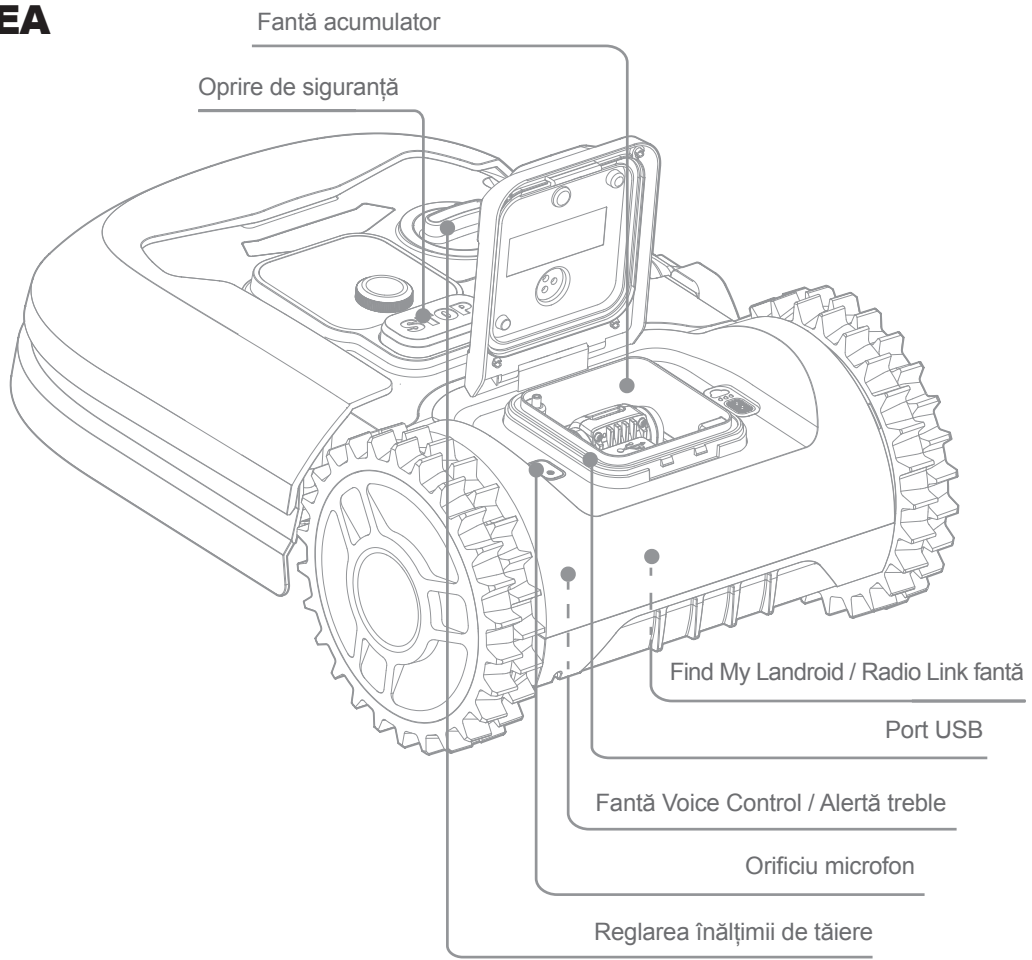


Imaginea servește doar ca referință

A	Worx Landroid	H	Țăruși pentru cablu
B	Conectori de reparare a cablurilor	I	Unitate de alimentare cu energie
C	Seturi de lamele de rezervă	J	Cablu perimetral
D	Cheie hexagonală	K	Acumulator 20V
E	Platformă de încărcare	L	Dispozitiv de măsurare a distanței pentru cablul de delimitare
F	Greutate de încărcare	M	Ruletă bertelsen
G	Șuruburi	N	Manualul

**CUNOAȘTEREA
LANDROID**

A



B

Imaginea servește doar ca referință

DATE TEHNICE

Tip **WR165E WR167E WR148E WR147E.1(100-199 - marcajul mașinii, respectiv a Robotului de tuns iarba)**

	WR165E	WR167E	WR148E	WR147E.1
Tensiune nominală	20 V Max.*			
Turație de mers în gol (/min)	2800		2400	
Suprafața de tăiere (m ²)	500	700	800	1000
Diametru de tăiere (cm)	18		20	
Înălțime de tăiere (mm)	30-60			
Poziții înălțime de tăiere	4			
Tip acumulator	Litiu-ion			
Model acumulator	WA3551.3	WA3553.3	WA3551.3	WA3553.3
Durată de reîncărcare aprox. (mins)	75	150	75	75
Model încărcător	WA3750.1/ WA3755.1			WA3775 / WA3776
Tensiune încărcător	Intrare: 100-240 V~50/60 Hz, 38 W, leșire: 20V , 1.5 A			Intrare:100-240 V~50/60 Hz, 90 W, leșire: 20 V , 3.0 A
Greutate mașină (kg)	9.5	9.8	11.7	12
Clasă de protecție	III			
App (Wifi / Bluetooth)	Y			
Banda de frecvență a modului WLAN încorporat	2.412GHz-2.484GHz			
Radiofrecvența maximă a modului WLAN încorporat	802.11b:+16±2dBm(@11Mbps) 802.11g:+14±2dBm(@54Mbps) 802.11n:+13±2dBm(@HT20,MCS7)			
Banda de frecvență a sistemului de buclă inductivă	77 Hz			
Puterea RF a sistemului de buclă inductivă	82 dBμA/m			

* Tensiune măsurată în gol. Tensiunea inițială a acumulatorului atinge maximum 20 volți. Tensiunea nominală este de 18 volți.

INFORMAȚII PRIVIND ZGOMOTUL

	WR165E	WR167E	WR148E	WR147E.1
Presiune sonoră ponderată	$L_{pA} = 45.5 \text{ dB(A)}$		$L_{pA} = 40.68 \text{ dB(A)}$	
	$K_{pA} = 0.6 \text{ dB(A)}$		$K_{pA} = 1.36 \text{ dB(A)}$	
Putere sonoră ponderată	$L_{wA} = 65.5 \text{ dB(A)}$		$L_{wA} = 61.56 \text{ dB(A)}$	
	$K_{wA} = 0.6 \text{ dB(A)}$		$K_{wA} = 1.36 \text{ dB(A)}$	

Purtați protecție pentru urechi când presiunea acustică este peste: 80 dB (A).



Un anumit grad de zgomot generat de mașină nu poate fi evitat. Nu permiteți funcționarea mașinii și limitați zgomotul produs de aceasta în anumite perioade ale zilei. Respectați perioadele de odihnă care pot restricționa orele de funcționare la minimum. Pentru protecție personală și pentru a proteja oamenii din apropiere, toți aceștia trebuie să poarte dispozitive adecvate de protecție auditivă.

ACCESORII

	WR165E	WR167E	WR148E	WR147E.1
Șuruburi	9	9	9	9
Bază de reîncărcare	1	1	1	1
Șuruburi de fixare a bazei de reîncărcare	8	8	8	8
Sârmă de delimitare	130m	150m	150m	180m
Pripoane de fixare a sârmei	180	210	210	250
Cheie hexagonală	1	1	1	1
Ruletă de măsurare distanței la amplasarea sârmei de delimitare	2	2	2	2
Lame	9	9	9	9
Conector	2	2	2	2
Acumulator (WA3551.3)	1	/	1	/
Acumulator (WA3553.3)	/	1	/	1
Încărcător (WA3750.1/ WA3755.1)	1	1	1	/
Încărcător (WA3775 / WA3776)	/	/	/	1

Vă recomandăm să achiziționați accesoriile de la același magazin de la care ați cumpărat unealta. Consultați ambalajul accesoriului pentru detalii suplimentare. Personalul din magazin vă poate oferi asistență și sfaturi.

DESTINAȚIA DE UTILIZARE

Acest produs este destinat pentru tunderea ierbii în sectorul domestic. Concepția acestui robot permite tunderea deasă a gazonului și astfel gazonul devine mult mai sănătos și atrăgător ca înainte. În funcție de mărimea gazonului dvs., robotul Landroid poate fi programat să lucreze la orice oră sau cu o frecvență nelimitată. Mașina aceasta nu a fost proiectată pentru săpat, măturat sau curățat zăpada.

ÎNTREȚINERE

Robotul dumneavoastră Landroid muncește din greu și trebuie să fie curățat și verificat periodic. Acest capitol din ghidul nostru vă va ajuta să păstrați robotul Landroid într-o stare bună, pentru a rezista mulți ani fără probleme. Iată cum să aveți grijă de robotul dumneavoastră Landroid. Opriți mașina înainte de a efectua orice service sau întreținere

MENȚINEȚI ECHIPAMENTUL ASCUȚIT

Landroid nu taie iarba ca alte cositoare. Lamele de tăiere sunt foarte ascuțite pe ambele laturi și se rotesc în ambele direcții pentru capacitate maximă de tăiere.

- A. Discul rotativ cu lame efectuează rotații în sens orar și antiorar în mod aleatoriu pentru a utiliza ambele tăișuri și pentru a minimiza frecvența de înlocuire a lamelor.
- B. Fiecare lamă de tăiere va rezista 2 luni atunci când robotul este programat să tunde gazonul zilnic.
- C. Verificați întotdeauna pentru a vedea dacă lamele sunt ciobite sau deteriorate și înlocuiți-le dacă este cazul.
- D. Atunci când lamele de tăiere sunt tocite și uzate, ele ar trebui înlocuite cu lamele de rezervă furnizate împreună cu robotul dumneavoastră Landroid. Lamele de rezervă sunt de asemenea disponibile la cel mai apropiat dealer Landroid.

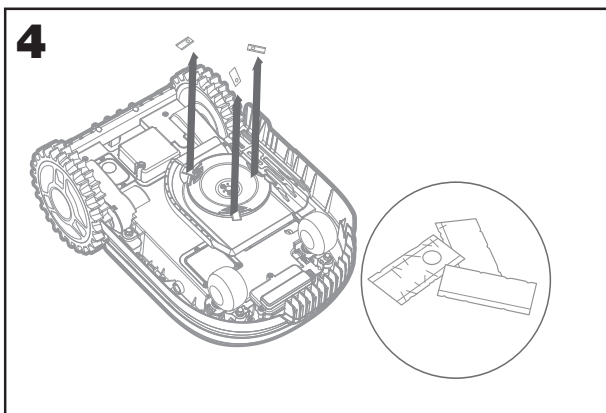
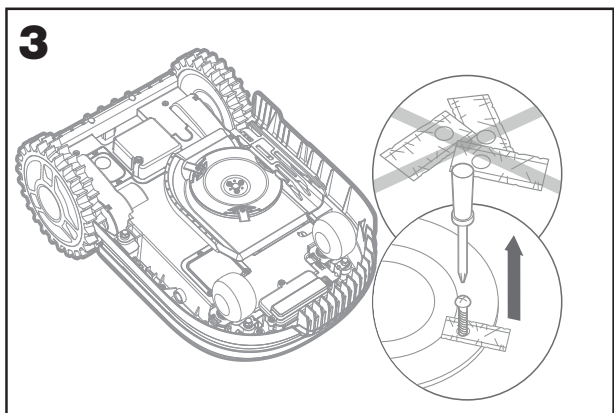
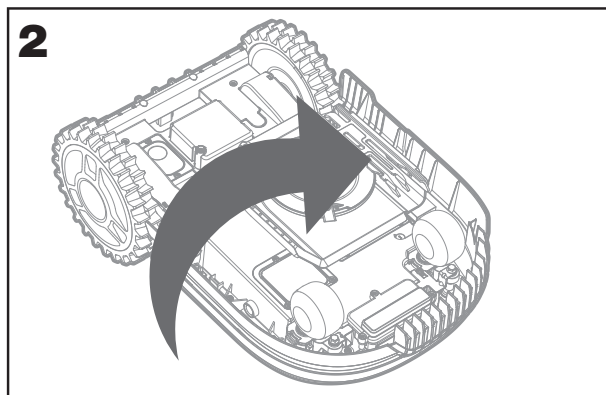
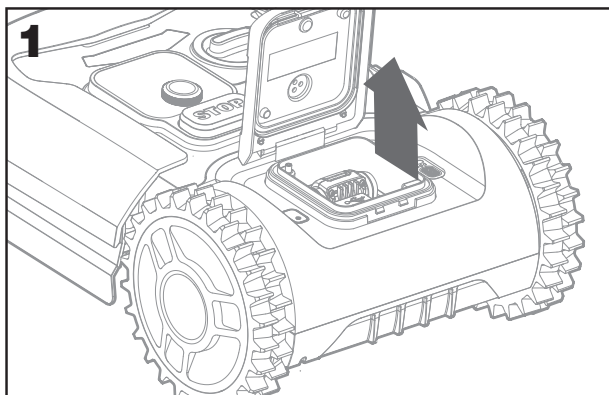
⚠️ ATENȚIE! Înainte de a curăța, regla sau înlocui lamele, opriți robotul dumneavoastră Landroid și îndepărtați acumulatorul. Purtați întotdeauna mănuși de protecție.

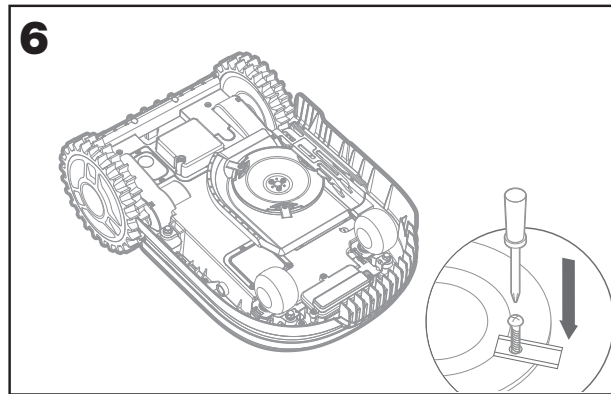
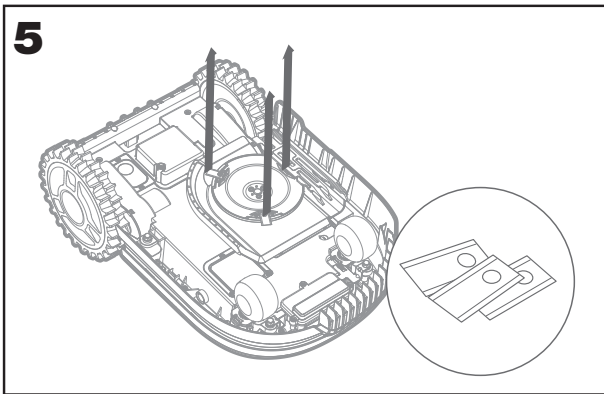
1. Înlocuirea lamelor

Îndepărtați acumulatorul (figura 1) și răsturnați cu atenție robotul Landroid (figura 2)

Îndepărtați șuruburile de pe lame folosind o șurubelniță (figurile 3 - 4)

Înșurubați ferm noile lame (figurile 5 - 6)



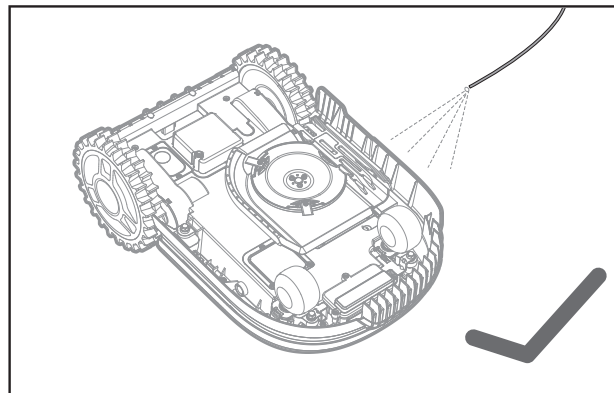
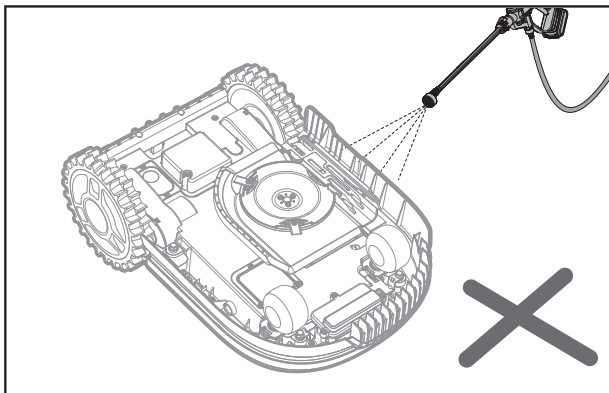


⚠️ Atenție: Atunci cand montați lame noi, asigurați-vă că locuiți TOATE lamele. Folosiți întotdeauna șuruburi noi când montați lamele. Acest lucru este important pentru a asigura fixarea corespunzătoare a lamelor și echilibrarea discului rotativ cu lame. Nerespectarea instrucțiunii privind utilizarea șuruburilor noi ar putea provoca vătămări corporale serioase. Important: După înșurubarea lamei pe discul cu lame, asigurați-vă că lama se poate roti liber

MENȚINEȚI ECHIPAMENTUL CURAT

Robotul dumneavoastră Landroid ar trebui curățat în mod regulat. Acest lucru ajută la menținerea robotului într-o stare bună, mai ales prin îndepărtarea murdăriei, resturilor și ierbii acumulate ca urmare a tunderii zilnice a gazonului. Opriti robotul Landroid înainte de curățare. Pentru un plus de siguranță, îndepărtați acumulatorul.

⚠️ Atenție: Când curățați Landroid, vă rugăm să vă asigurați că capacul bateriei este închis.
⚠️ AVERTIZARE! TA Landroid dvs. poate fi curățat doar cu un furtun! NU folosiți o mașină de spălat sub presiune pe Landroid. Apa de înaltă presiune poate intra în interiorul garniturii și poate deteriora piesele electronice și mecanice.



1. Curățarea părții superioare

- A. Curățați folosind o sticlă pulverizatoare umplută cu apă Nu utilizați solvenți sau soluții de lustruire.
- B. Folosiți o perie sau o lavetă curată pentru a îndepărta mizeria acumulată.

2. Curățarea părții inferioare

- A. Răsturnați cu atenție robotul Landroid
- B. Îndepărtați mizeria și resturile de iarbă folosind o perie.
- C. Aveți grijă să nu atingeți lamele cu mâinile Purtați mănuși de protecție.
- D. Curățați discul cu lame, șasiul și roata (roțile) față temeinic cu o perie moale sau cu o cârpă umedă.
- E. Rotiți discul cu lame pentru a vă asigura că se învâрте liber. Îndepărtați orice obstrucții. Îndepărtați resturile blocate pentru a nu provoca fisuri ale discului cu lame. Chiar și cea mai mică fisură afectează performanțele de cosire.
- F. Verificați ca lamele să se rotească liber în jurul șuruburilor de fixare. Eliminați orice obstacole.

3. Curățați roțile motrice

- A. Îndepărtați murdăria de pe roți cu o perie pentru a asigura aderența bună a suprafeței de rulare.

4. Curățați contactele de încărcare

- A. Curățați știfturile de contact amplasate pe platforma de încărcare și pe benzile de încărcare ale robotului Landroid folosind o lavetă.
- B. Îndepărtați periodic orice acumulare de resturi de iarbă sau de murdărie din jurul știfturilor de contact și benzilor de încărcare pentru a vă asigura că Landroid se încarcă în mod corespunzător de fiecare dată.

MENȚINEȚI ECHIPAMENTUL ÎNCĂRCAT

Inima robotului Landroid este acumulatorul Worx Powershare Li-Ion de 20 V.

- A. În vederea depozitării corespunzătoare a acumulatorului, asigurați-vă că acumulatorul este încărcat în mod corespunzător și depozitat într-un loc uscat,
- B. Temperatura recomandată de operare pentru Landroid este între 0 și 55°C.
- C. Durata de viață a acumulatorului Landroid depinde de numărul de ore de utilizare și de durata utilizării pe zi, în timpul sezonului de tuns gazonul.

1. Landroid poate fi încărcat manual, fără cablul perimetral

- A. Conectați platforma de încărcare la o sursă corespunzătoare de alimentare cu energie electrică. Lumina verde a platformei de încărcare se va aprinde.
- B. Conectați manual robotul Android la platforma de încărcare, în timp ce robotul Landroid este oprit.
- C. Lumina verde a platformei de încărcare va lumina intermitent și robotul Landroid va începe să se încarce.

DEPOZITAREA ECHIPAMENTULUI PE TIMPUL IERNII

Deși Landroid este proiectat și construit pentru a face față celor mai extreme condiții meteorologice, vă recomandăm să depozitați robotul în magazia sau în garajul dumneavoastră. Pregătirea de hibernare:

- A. Curățați robotul temeinic
- B. Încărcați integral acumulatorul
- C. Oprii robotul

1. Revenirea la lucru în primăvară

Atunci când este timpul să reporniți robotul Android pentru noul sezon, vă rugăm să efectuați următoarele verificări:

- A. Actualizați setările privind ora și data prin intermediul aplicației.
- B. Dacă observați semne de oxidare pe contactele de încărcare ale robotului Landroid și pe stația de încărcare, curățați-le cu o pânză abrazivă fină.
- C. Încărcați complet acumulatorul robotului Android înainte de utilizare.

MENȚINEȚI ECHIPAMENTUL ACTUALIZAT

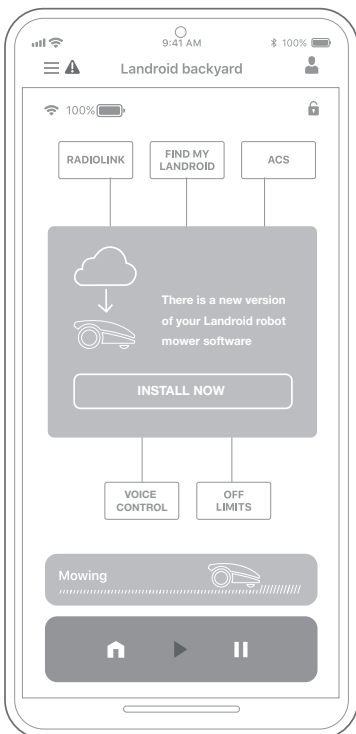
Landroid este îmbunătățit constant, iar noile versiuni de software sunt puse la dispoziție gratuit. Mențineți întotdeauna software-ul Landroid actualizat, pentru a putea exploata la maxim echipamentul dumneavoastră.

1. Actualizări Over-the-Air (OTA)

Dacă robotul dumneavoastră Landroid este conectat la rețeaua dumneavoastră Wi-Fi, prin intermediul aplicației veți fi notificat că există software nou disponibil pentru robot. De îndată ce confirmați, se va efectua actualizarea OTA.

2. Verificați versiunea software-ului dumneavoastră.

Numărul versiunii software se poate vedea când în dispozitivul Landroid se află curent.



3. Actualizări manuale

- A. Dacă robotul dumneavoastră Landroid nu este conectat la rețeaua dumneavoastră Wi-Fi, puteți să îl actualizați la cea mai recentă versiune de software folosind un stick USB
 - B. Vizitați în mod periodic pagina de internet Worx Landroid pentru a vedea dacă sunt disponibile versiuni noi de software. Dacă v-ați abonat la lista de corespondență prin e-mail Landroid, veți fi notificat în momentul în care o versiune nouă devine disponibilă.
 - C. Descărcați cea mai recentă versiune de software de pe pagina noastră de internet.
 - D. Luați un stick USB gol, formatat în format FAT32.
 - E. Salvați fișierul .zip și extrageți conținutul pe stick-ul dumneavoastră USB.
 - F. Amplasați robotul Landroid pe o suprafață sigură și plană.
 - G. Opriți robotul Landroid.
 - H. În partea din spate a robotului Landroid, accesați portul USB.
 - I. Introduceți stickul USB în port.
 - J. Amplasați robotul Landroid din nou pe gazon, în interiorul zonei de lucru delimitat de cablul perimetral.
 - K. Porniți robotul Landroid.
 - L. Fără a ridica robotul Landroid, îndepărtați stickul USB atunci când ecranul afișează mesajul „USB”.
 - M. Actualizarea va porni automat și poate dura ceva timp. Landroid se va reporni automat după finalizarea actualizării.
- OBSERVAȚIE:** Asigurați-vă că robotul Landroid se află în interiorul perimetrului atunci când îl reporniți.

MESAJE DE FUNCȚIONARE

ACȚIUNE PE MESAJ LANDROID	ACȚIUNE PE MESAJ LANDROID
Tăierea ierbii	Tăierea ierbii conform programului de cosit.
Plouă	Senzorul de ploaie detectează apa. Landroid va reveni la Stația de încărcare și va rămâne în această poziție până când este programat. După uscare, Landroid va porni automat numărătoarea inversă cu întârziere a ploii și apoi va reveni la starea de tundere. Dacă doriți să tundeți Landroid înainte, opriți-l și reporniți-l, dar numai când senzorul de ploaie este uscat sau puteți elimina complet întârzierea ploii setând timpul de întârziere a ploii la zero.
Intoarce-te acasa	Trebuie să reîncărcați - lama de tăiere se oprește în drum spre bază
Încărcare	Afișați "Încărcare" și procentul de încărcare.
Fără program de lucru	Standby, trebuie să fie programat după cum este necesar.
astăzi nu funcționează	Standby-ul va începe conform programului de tundere.
Munca depusă astăzi	
Căutare zonă	Conform setării "Spațiu de lucru personalizat", Landroid caută
Terminat încărcarea	Landroid și-a finalizat încărcarea.
Încărcare de urgență	Încărcare de urgență Landroid se încarcă în starea oprită.

MESAJE DE EROARE

Uneori, lucrurile nu merg întotdeauna bine. Din fericire, robotul Landroid este suficient de inteligent pentru a vă transmite dacă întâmpină probleme, pentru ca dumneavoastră să le puteți rezolva. Dacă aveți nelămuriri, vă rugăm să vizitați pagina noastră de internet, unde veți găsi videoclipuri utile și asistență suplimentară.

MESAJ	CAUZA	ACȚIUNEA
	Capacul bateriei nu este închis	Închideți capacul bateriei
Outside working area! Press START to reset.	Landroid nu poate identifica semnalul cablului perimetral.	1. Dacă Landroid se află în afara zonei de lucru: opriți robotul, duceți Landroid în interiorul zonei de lucru, porniți-l și apăsați butonul start. 2. Dacă Landroid este în interiorul zonei de lucru, verificați dacă LED-urile de pe platforma de încărcare luminează constant verde. Dacă lumina este roșie, verificați dacă există o conexiune corespunzătoare între cablul perimetral și platforma de încărcare și dacă platforma este conectat la o sursă de alimentare cu energie electrică adecvată. Dacă există o conexiune corespunzătoare, papucii cablului perimetral sunt fixați incorect și trebuie inversați.
WRONG PIN! Please retry.	Codul PIN este greșit.	Introduceți codul PIN corect sau reseați codul PIN.
Blade motor fault! Press START to reset.	Discul cu lame este blocat de un obiect, de exemplu, de o creangă.	Opriți robotul. Răsturnați cu atenție robotul Landroid și verificați dacă există vreun obiect care împiedică rotirea discului cu lamele și eliminați orice obstrucție. Întoarceți robotul Landroid la loc. Porniți robotul. Apăsați butonul start.
	Lama este suprasolicitată de iarbă groasă, deasă.	Opriți robotul. Duceți robotul Landroid într-o zonă cu iarbă scurtă sau reglați înălțimea de tăiere la o valoare mai mare. Porniți robotul. Apăsați butonul start.
Wheels motor fault! Press START to reset.	Motorul roții este blocat într-o direcție.	Opriți robotul Landroid și duceți-l într-o zonă fără obstacole. Porniți robotul. Apăsați butonul start. Dacă mesajul de eroare apare în continuare, opriți alimentarea cu energie. Răsturnați cu atenție robotul Landroid și verificați dacă există vreun obstacol care împiedică rotirea roților. Eliminați orice obstacol, întoarceți robotul Landroid la loc și porniți-l.
Upside down! Press START to reset.	Este posibil ca acest lucru să se fi întâmplat când robotul Landroid a intrat în contact cu o suprafață înclinată, care a făcut robotul să se răstoarne.	Întoarceți robotul Landroid la loc și eliminați orice obstacol care ar fi putut să îl răstoarne.
Mower trapped! Press START to reset.	Robotul Landroid este blocat.	Opriți robotul. Duceți robotul Landroid într-o zonă a gazonului dumneavoastră fără obstacole, apoi porniți robotul. Apăsați butonul start. Dacă mesajul de eroare apare în continuare: opriți alimentarea cu energie, răsturnați cu atenție robotul Landroid. Verificați dacă există vreun obstacol care împiedică rotirea roților. Eliminați orice obstacole, întoarceți robotul Landroid la loc și porniți-l.
Mower lifted! Press START to reset.	Robotul Landroid este ridicat.	Opriți robotul. Duceți robotul Landroid într-o zonă fără obstacole și porniți-l. Apăsați butonul start. Dacă mesajul de eroare apare în continuare: opriți alimentarea cu energie, răsturnați cu atenție robotul Landroid și verificați dacă există obstacole care pot face robotul Landroid să se ridice. Eliminați orice obstacol posibil, întoarceți robotul Landroid la loc și porniți-l.
Battery voltage too low! Please change battery.	Acumulator epuizat.	În acest caz, trebuie să opriți robotul Android și să îl amplasați pe platforma de încărcare, apoi mesajul „Încărcare de urgență” va fi afișat și robotul va începe încărcarea. Dacă eroarea privind acumulatorul persistă, acumulatorul dumneavoastră poate fi deteriorată și necesită înlocuire.

Wire missing! Press START to reset.	Robotul nu poate identifica semnalul cablului perimetral.	Dacă indicatorul LED este roșu, vă rugăm să verificați dacă linia de delimitare este conectată corect la clema de pe teancul de încărcare. Dacă problema persistă, inspectați cablul perimetral cu privire la tăieturi.
Battery temperature out of range! Please wait.	Temperatura este prea înaltă (peste 55°C) sau prea joasă (sub 0°C) în timpul încărcării.	Așezați docul de încărcare într-un loc umbrit sau așteptați până se atinge temperatura normală
Can't find charge station press START to reset.	Cablul perimetral este întins mai mult de lungimea maximă (350 m sau robotul nu are suficientă putere pentru a reveni la stația de încărcare).	Duceți robotul Landroid la stația de încărcare.
Mower locked!	Prin activarea „Lock Function”, dacă robotul dumneavoastră Landroid nu primește semnal de la routerul dumneavoastră timp de 3 zile, ca măsură de siguranță, robotul va fi blocat. Acest lucru poate fi cauzat de faptul că routerul dumneavoastră nu mai este alimentat cu energie electrică sau de faptul că v-ați schimbat routerul Wi-Fi sau furnizorul de internet.	Vă rugăm să reconectați robotul Android la rețeaua Wi-Fi la care a fost conectat inițial. Dacă acest lucru nu este posibil, vă rugăm să contactați Serviciul clienți.

OBSERVAȚII

- A. Înainte de a porni alimentarea cu energie, asigurați-vă întotdeauna că robotul Landroid se află în interiorul zonei de lucru.
- B. Dacă, din orice motiv—de exemplu, o petrecere sau copii care se joacă...—doriți să parcați robotul dumneavoastră Landroid pe platforma de încărcare, apăsați butonul acasă, apoi apăsați OK. Landroid va reveni la platformă și va rămâne acolo. Vă rugăm să țineți cont că robotul Landroid va aștepta acum până la următoarea sesiune programată pentru tunderea gazonului. Dacă doriți să reporniți robotul în orice moment, apăsați butonul start, apoi OK, pentru a porni robotul Android.
- C. Dacă o eroare apare în mod repetat în aceeași zonă a gazonului dumneavoastră, este posibil să existe o problemă cu cablul perimetral, motiv pentru care vă rugăm să consultați instrucțiunile de instalare și să vă asigurați, în baza acestora, că ați efectuat configurarea în mod corespunzător.
- D. În cazul în care gazonul dumneavoastră este împărțit în două zone separate, conectate printr-un culoar cu o lățime mai mică de 1 metru, iar în una din zone nu există o platformă de încărcare: atunci când acumulatorul Landroid se descarcă, duceți-l manual la platforma de încărcare.
- E. Dacă robotul Landroid funcționează anormal din când în când, vă rugăm să îl resetați oprindu-l, îndepărtând acumulatorul timp de 30 de secunde, și apoi repornindu-l. În cazul în care problema nu poate fi soluționată, vă rugăm să contactați Serviciul nostru clienți pentru ajutor.

DEPANARE

În cazul în care robotul dumneavoastră Landroid nu funcționează corect, urmați ghidul de depanare de mai jos. Dacă eroarea persistă, contactați Serviciul clienți.

SIMPTOM	CAUZA	SOLUȚIA
Lumina verde a platformei de încărcare nu se aprinde.	Nu există alimentare cu energie electrică.	Verificați dacă platforma de încărcare este conectată în mod corespunzător la încărcător, iar încărcătorul este conectat la o sursă adecvată de alimentare cu energie electrică
Lumină roșie a platformei de încărcare	Cablul perimetral nu este conectat.	Verificați dacă există o conexiune corespunzătoare între cablul perimetral și platforma de încărcare Verificați să nu existe întreruperi de-a lungul cablului perimetral.
Robotul Landroid se aprinde, însă discul cu lame nu se rotește.	Robotul Landroid își caută platforma de încărcare.	Acest lucru este normal: atunci când robotul Landroid trebuie să se reîncarce, discul cu lame nu se rotește în timp ce își caută platforma de încărcare în mod automat.
Robotul Landroid vibrează.	Discul cu lame este dezechilibrat. Lamele pot fi deteriorate.	Verificați lamele și înlocuiți-le dacă sunt deteriorate. Îndepărtați mizeria și obiectele străine de pe lame și de pe disc.
Iarba nu este tăiată uniform.	Landroid nu lucrează suficiente ore pe zi pentru a tăia iarba.	Încercați să adăugați mai multe ore programului pentru tuns gazonul.
	Zona în care va fi tuns gazonul este prea mare pentru robotul Landroid pe care îl aveți.	Încercați să micșorați dimensiunea zonei sau măriți timpul de lucru
	Lamele sunt tocite și nu mai taie.	Înlocuiți toate lamele și șuruburile pentru a echilibra discul cu lame.
	Înălțimea de tăiere este prea joasă pentru lungimea ierbii.	Ridicați înălțimea de tăiere și apoi coborâți-o treptat.
	În jurul discului cu lame s-a înfășurat iarbă sau un alt obiect.	Verificați discul cu lame și înlăturați iarba sau orice alt obiect care poate preveni rotirea discului.
	S-a acumulat iarbă pe discul cu lame sau în carcasa pentru suportul motorului.	Asigurați-vă că discul cu lame se poate roti cu ușurință. Dacă este necesar, puteți scoate discul cu lame și apoi puteți îndepărta mizeria.
Robotul dumneavoastră Landroid se află în interiorul zonei sale de lucru, cablul perimetral este conectat însă pe ecran este afișat mesajul „- E1 -”	Capetele cablului perimetral nu sunt fixate în mod corespunzător.	Inversați capetele cablului perimetral și reconectați cablul la stația de încărcare.
Timpul de încărcare este mai lung decât timpul de încărcare nominal declarat.	Conexiunea slabă cauzată de murdăria de pe banda de încărcare.	Curățați știfturile de contact amplasate pe platforma de încărcare și pe benzile de încărcare ale robotului Landroid folosind o lavetă.
	Programul de protecție în timpul încărcării este activat din cauza temperaturilor ridicate.	Amplasați platforma de încărcare într-o zonă la umbră sau așteptați până ce temperatura scade.
Robotul pentru tuns gazonul nu se încarcă.	Nu există alimentare cu energie electrică.	Verificați dacă există o conexiune corespunzătoare între cablul de alimentare și încărcător, precum și dacă încărcătorul este conectat la o sursă adecvată de alimentare cu energie electrică. Asigurați-vă că ambele benzi de încărcare ale robotului ating centrul benzilor de contact ale platformei de încărcare.

Robotul Landroid începe să aibă timpi mai scurți de funcționare între încărcări.	Un obiect blochează discul cu lame și astfel creează frecare și un consum mai ridicat de putere.	Demontați discul cu lame și curățați-l. Este posibil ca iarba să fie prea înaltă și prea groasă.
	Landroid vibrează puternic deoarece discul cu lame nu este echilibrat.	Verificați discul cu lame și lamele, îndepărtați mizeria și obiectele străine de pe lame și de pe disc. Înlocuiți lamele cu un set nou.
	Acumulatorul poate fi descărcat complet sau vechi.	Înlocuiți acumulatorul.
	Timpul de lucru a expirat	Resetați timpul de lucru
Landroid nu intră în funcțiune la ora corectă.	Ceasul nu este setat la ora corectă.	Setați ceasul la ora corectă.
	Timpii programați pentru tunderea gazonului pentru robotul Landroid nu sunt corecți.	Modificați setările de timp pentru pornirea și oprirea robotului.
	Procentul timpului de rulare săptămânal stabilit de APP s-a modificat.	Setați procentul corect prin APP.
Landroid nu se poate conecta corect la platforma de încărcare.	Influențe ale mediului.	Reporniți robotul Landroid.
	Conexiunea slabă cauzată de murdăria de pe banda de încărcare.	Curățați știfturile de contact amplasate pe platforma de încărcare și pe benzile de încărcare ale robotului Landroid folosind o lavetă.
Lumina verde a platformei de încărcare se aprinde înainte de finalizarea încărcării.	docul de încărcare se supraîncălzește și supra răcește	Așezați docul de încărcare într-un loc umbrat sau așteptați până se atinge temperatura normală
Roțile robotului Landroid alunecă sau patinează în mod repetat.	Obstacole străine, precum ramuri sau crengi pot fi blocate sub robotul Landroid.	Îndepărtați obiectele străine din partea inferioară a robotului Landroid.
	Gazonul este prea ud.	Așteptați până la uscarea gazonului.
Robotul Landroid se deplasează în exteriorul perimetrului realizat folosind cablul perimetral. Landroid nu tunde o suprafață aflată în interiorul unei zone delimitate cu ajutorul cablului perimetral. Landroid se deplasează înapoi sau se rotește necontrolat în apropierea cablului perimetral.	Cablul perimetral al unui alt robot Landroid sau al unui alt robot pentru tuns gazonul este poziționat prea aproape.	Asigurați-vă că există o distanță de cel puțin 1 metru între cablul dumneavoastră perimetral și cel al vecinului dumneavoastră.
	În condiții umede, semnalul electric al cablului perimetral se poate pierde acolo unde cablul a fost îmbinat sau reparat în mod necorespunzător.	Verificați îmbinările cablului perimetral. Izolați pentru a asigura o conexiune perfect impermeabilă.
	Semnalul electric al cablului perimetral este întrerupt din cauza izolației rupte.	Reparați cablul perimetral deteriorat, folosind conectorii de cablu furnizați.
Landroid alunecă în afara zonei de lucru deplasându-se în jos pe teren înclinat.	Aderență redusă a roților motrice ale robotului Landroid.	Vă rugăm să verificați ca roțile să fie curate și fără noroi, pentru a asigura nivelul maxim posibil de aderență.
Sistemul de operare al robotului Landroid nu mai funcționează în timpul încărcării sau atunci când robotul este în standby.	Eroare software sau eroare de afișare.	Reporniți robotul Landroid.
Landroid se oprește atunci când este conectat la platforma de încărcare.	Robotul Landroid nu se încarcă din cauza protecției împotriva supraîncălzirii și se oprește.	Amplasați platforma de încărcare într-o zonă la umbră sau așteptați până ce temperatura scade.
	Conexiune slabă.	Verificați lumina LED a platformei de încărcare. Verificați conexiunea dintre știfturile de contact amplasate pe platforma de încărcare și pe benzile de încărcare.

Robotul Landroid se oprește în zona de lucru.	Există un obstacol în zona de lucru.	Îndepărtați obstacolul din zona de lucru a robotului Landroid.
	Înălțimea de tăiere este prea joasă pentru lungimea ierbii sau iarba este prea deasă.	Ridicați înălțimea de tăiere și apoi coborâți-o treptat.
	Cablul de desfășurare extins nu ar trebui să depășească 350 de metri, deoarece în caz contrar poate duce la probleme de semnal.	Reduceți lungimea cablului perimetral.
	Distanța dintre centrul gazonului și cablul perimetral nu ar trebui să depășească 25 de metri, deoarece în caz contrar poate provoca atenuarea semnalului.	Reduceți distanța dintre centrul gazonului și perimetrul realizat de cablul perimetral până la 25 de metri.
Robotul Landroid se răstoarnă.	Există un obstacol înclinat pe gazon.	Îndepărtați obstacolul din zona de lucru a robotului Landroid.
Robotul Landroid nu reușește să se conecteze la internet.	Vă rugăm verificați ca setările routerului dumneavoastră să fie corecte.	Asigurați-vă că routerul dumneavoastră funcționează pe banda de frecvență 2,4 Ghz. Dacă routerul dumneavoastră are două setări, vă rugăm activați banda de frecvență 2,4 Ghz. Asigurați-vă că routerul dumneavoastră este setat în modul 802.11 și setările wireless sunt în modul b/g/n mixed. Asigurați-vă că routerul dumneavoastră are funcția de transmitere SSID activată atunci când conectați robotul la aplicație. Puteți închide după conectarea cu succes. Asigurați-vă că funcția DHCP este activă. Dacă ați schimbat rețeaua dumneavoastră Wi-Fi, trebuie să conectați robotul Landroid la noua rețea. În cazul în care aveți un router „Fritz!box”, vă rugăm să vă asigurați că opțiunea „Permite comunicarea între dispozitive din aceeași rețea” este activată în cadrul setărilor.
	Vă rugăm să verificați dacă nu este deconectat routerul sau dacă WIFI SSID nu este schimbată	Asigurați-vă că routerul este conectat și că WIFI SSID este corectă
Când ajustați "Lună / Oră / Minut", Landroidul dvs. va emite un sunet,	Asta este normal	În sens invers acelor de ceasornic Efectuați ajustări.

PROTECȚIA MEDIULUI ÎNCONJURĂTOR



Deșeurile produselor electrice nu se vor arunca împreună cu deșeurile menajere. Reciclați acolo unde există instalații de reciclare. Consultați autoritățile locale sau vânzătorul pentru recomandări privind reciclarea.

DECLARAȚIE DE CONFORMITATE

Noi,
Positec Germany GmbH
Grüner Weg 10, 50825 Cologne, Germany

În numele Positec declarăm că produsul
Descriere **Robot de tuns iarba marca**
Tip **WR165E WR167E WR148E WR147E.1 (100-199 - Utilizarea mașinii, reprezentativă pentru mașina de tăiat iarba) (Numărul de serie este plasat pe pagina din spate) cu încărcător de baterie WA3775 / WA3776/ WA3750.1/ WA3755.1 și bază de încărcare WA4002.1**
Funcție **Tunderea gazonului**

Este conform cu următoarele Directive,
2006/42/EC, 2014/30/EU, 2014/35/EU, 2011/65/EU&(EU)2015/863, 2000/14/EC modificată prin 2005/88/EC, 2014/53/EU

WR165E WR167E

2000/14/EC modificată prin 2005/88/EC

- Procedură de evaluare a conformității conformă cu
- Nivel de putere sonoră măsurat
- Nivel de putere sonoră garantat declarat

Anexa V
65.5 dB(A)
67 dB(A)

WR148E WR147E.1

2000/14/EC modificată prin 2005/88/EC

- Procedură de evaluare a conformității conformă cu
- Nivel de putere sonoră măsurat
- Nivel de putere sonoră garantat declarat

Anexa V
61.56 dB(A)
63 dB(A)

Organismul notificat implicat

Nume: Intertek, Semko AB (organism notificat 0413)

Adresa: Torshamnsgatan 43164 22 Kista Sweden

Nr. certificare : 201002326SHA-V1

Standardele sunt conforme cu,

**EN 60335-1:2012+A11+A13+A1+A14+A2:2019, EN 50636-2-107:2015+A1+A2:2020,
EN 60335-2-29:2004+A2+A11:2018, EN 62233:2008, EN 55014-1:2017+A11:2020,
EN 55014-2:2015, EN IEC 61000-3-2:2019, EN 61000-3-3:2013+A1:2019, EN ISO 3744:2005,
EN 300 328 V2.2.2, EN 301 489-1 V2.2.3, EN 301 489-17 V3.2.4, EN IEC 62311:2020,
EN 61558-1:2005+A1:2009, EN 61558-2-16:2009+A1:2013,
EN 55011:2016+A11:2020,
EN 303 447 V1.1.1
EN 55032:2015+A11:2020, EN 55035:2017+A11:2020**

Persoana autorizată să compileze fișierul tehnic,

Denumire Marcel Filz

Adresă Positec Germany GmbH, Grüner Weg 10, 50825 Cologne, Germany



2020/12/02

Allen Ding

Adjunct Inginer Șef, Testare și certificare

Positec Technology (China) Co., Ltd

18, Dongwang Road, Suzhou Industrial

Park, Jiangsu 215123, P. R. China

SIGURNOST PROIZVODA OPĆE I DODATNE SIGURNOSNE UPUTE

⚠ UPOZORENJE: Treba pročitati sve napomene o sigurnosti i upute. Ako se ne bi poštivale napomene o sigurnosti i upute to bi moglo uzrokovati strujni udar, požar i/ili teške ozljede.

Pažljivo pročitajte upute za sigurnu upotrebu uređaja.

Sačuvajte sve napomene o sigurnosti i upute za buduću primjenu.

- Ovaj vrtni uređaj nije predviđen da s njime rade osobe (uključujući djeca) sa ograničenim fizičkim, senzornim ili psihičkim sposobnostima ili nedovoljnim iskustvom i/ili nedovoljnim stručnim znanjima. U takvim slučajevima ovakve osobe trebaju raditi pod nadzorom stručne osobe zadužene za sigurnost ili trebaju dobiti upute kako se sa uređajem radi.

- Djecu treba držati pod nadzorom, kako se ne bi igrala sa vrtnim uređajem.

- Uređaj koristite samo uz isporučeni prilagodnik napajanja.

- Bateriju u ovom uređaju može zamijeniti samo stručno osoblje.

UPOZORENJE: Za punjenje baterije koristite samo izmjenjivu jedinicu napajanja koja dolazi s uređajem.

UPOZORENJE: da bi se smanjio rizik od tjelesnih ozljeda i oštećenja stroja, nemojte vaditi bateriju prije isključivanja stroja.

VAŽNO

PAŽLJIVO PROČITAJTE PRIJE UPOTREBE

SAČUVAJTE ZA SLUČAJ POTREBE

Pravila sigurne upotrebe

OBUKA

- Pažljivo pročitajte upute. Pročitajte upute i upoznajte se s kontrolama te pravilnom upotrebom uređaja.
- Nikada ne dopustite korištenje vrtnog uređaja djeci ili osobama koje nisu upoznate s ovih uputama. Propisima zemlje korisnika možda se ograničava starost rukovatelja.
- Osoba koja radi sa uređajem ili korisnik odgovorna je za nezgode ili za štete počinjene drugim ljudima ili njihovoj imovini.

PRIPREMA

- Izvršite ispravno instaliranje granične žice prema uputama za rad.
- Kontrolirajte pravilnost područja na kojem će se vrtni uređaj koristiti i odstranite sve kamenje, grančice, žice i ostale strane predmete.
- Redovito kontrolirajte vrtni uređaj, kako bi bili sigurni da nisu istrošeni ili oštećeni noževi, vijci noževa ili mehanizam za rezanje. Kako bi se izbjegla neravnoteža, istrošene noževe i vijke noževa zamijenite kao kompletni set.
- Kod uređaja s više osovina budite oprezni jer rotacija jedne oštrice može uzrokovati rotaciju drugih oštrica.
- UPOZORENJE!** Ne koristite kosilicu ako štitnik nije postavljen.

RUKOVANJE

1. Općenito

- Vrtni uređaj nikada ne koristite s oštećenim zaštitnim pokrivalima ili bez sigurnosnih naprava, kao što su deflektori.
- Vaše ruke i stopala ne stavljajte blizu ili ispod rotirajućih dijelova. Pazite da ništa ne upadne u ventilacijske otvore i nemojte na njih ništa stavljati.
- Vrtni uređaj nikada ne dižite niti nosite dok radi motor.
- Isključite napajanje uređaja.
 - prije odstranjivanja blokada;

- kada vrtni uređaj kontrolirate, čistite ili na njemu radite.
- e) Nemojte raditi modifikacije na robotskoj kosilici. Eventualne modifikacije izvodite na vlastiti rizik.
- f) Pokrenite robotsku kosilicu prema uputama. Kada se prekidač napajanja uključi, pazite da držite ruke i stopala dalje od rotirajućih oštrica. Šake i stopala ne postavljajte ispod kosilice.
- g) Nikada nemojte podizati robotsku kosilicu ili ju nositi dok je prekidač napajanja uključen.
- h) Ne dopustite upotrebu kosilice osobama koje s njom nisu upoznate.
- i) Nemojte ništa stavljati na kosilicu i njezinu postaju za punjenje.
- j) Robotsku kosilicu ne koristite ako je oštećen disk oštrice ili kućište. Također, ne koristite ako su oštećeni vijci, matice ili kabeli.
- k) Robotsku kosilicu isključite kad god je ne koristite. Robotska kosilica se može pokrenuti samo kada je prekidač napajanja uključen i kada se unese točan PIN.
- l) Šake i stopala držite podalje od rotirajućih oštrica. Šake i stopala ne postavljajte u blizinu ili ispod kućišta robotske kosilice dok je ona u upotrebi.
- m) Izbjegavajte upotrebu stroja i perifernih dodataka po lošem vremenu, posebno kada postoji opasnost od munja.
- n) Nemojte dodirivati pokretne opasne dijelove prije nego što se potpuno zaustave.
- o) Za strojeve koji se koriste na javnim površinama, oko radnoj područja stroja moraju se postaviti znakovi upozorenja. Moraju prikazivati sljedeći tekst:
Upozorenje! Automatska kosilica! Držite se dalje od stroja! Držite djecu pod nadzorom!

2. Dodatne upute za automatsku upotrebu uređaja

- a) Vrtni uređaj ne ostavljate da radi bez nadzora, ako znadete da se u blizini zadržavaju domaće životinje, djeca ili odrasle osobe.

ODRŽAVANJE I POHRANA

UPOZORENJE! Kada okrećete kosilicu naopačke, prekidač napajanja mora uvijek biti isključen.

Prekidač napajanja mora biti isključen tijekom svih postupaka na podvozju kosilice, kao što su čišćenje ili zamjena oštrica.

- a) Pritegnite sve matice i vijke kako bi upotreba uređaja bila sigurna.
- b) Robotsku kosilicu provjeravajte svaki tjedan i radi sigurnosti zamijenite istrošene ili oštećene dijelove.
- c) Osobitu pažnju obratite na moguća oštećenja reznog diska. Sve oštrice i vijke mijenjajte istovremeno kako bi svi rotirajući dijelovi bili uravnoteženi.
- d) Pazite da se koriste samo originalni rezervni dijelovi.
- e) Baterije punite odgovarajućim punjačem kojeg preporučuje proizvođač. Nepravilna upotreba može rezultirati strujnim udarom, pregrijavanjem ili curenjem korozivne tekućine iz baterije.
- f) U slučaju curenja elektrolita isperite vodom/sredstvom za neutralizaciju. Zatražite pomoć liječnika ako elektrolit dospije u oči i sl.
- g) Uređaj servisirajte prema uputama proizvođača.

Preporuka

Priključite stroj i/ili njegove periferne dodatke samo na krug napajanja zaštićen zaštitnim uređajem diferencijalne struje (RCD) s maksimalnom strujom prekidanja od 30mA.

Ostale opasnosti

Da biste izbjegli ozljede, nosite zaštitne rukavice prilikom zamjene oštrica.

TRANSPORT

Prilikom transporta robotske kosilice na dulje udaljenosti upotrijebite izvornu ambalažu.

Za sigurno prenošenje izvan ili unutar radnog područja:

- a) Za zaustavljanje kosilice pritisnite gumb STOP.

Odobrat ćete četveroznamenkasti PIN kada prvi put pokrećete kosilicu.

- b) Robotsku kosilicu uvijek isključite ako je namjeravate prenositi.
- c) Kosilicu nosite za ručku koja se nalazi s donje stražnje strane kosilice. Kosilicu nosite tako da rezni disk bude okrenut od tijela.

Zahtjevi za RF izlaganje

Da bi se zadovoljili zahtjevi za RF izlaganje, potrebno je održavati razmak od 200mm ili više između ovog uređaja i osoba tijekom rada uređaja.

Da bi se osigurala sukladnost, nisu preporučljivi postupi na manjoj udaljenosti od te. Antena koja se koristi za ovaj odašiljač se ne smije postavljati zajedno s bilo kojom drugom antenom ili odašiljačem.

Sigurnosna upozorenja za baterije

- a) **Bateriju nemojte rastavljati, otvarati ni trgati njezine ćelije.**
- b) **Bateriju nemojte kratko spajati. Nemojte nemarno ostavljati baterije u kutijama i ladicama gdje može doći do njihovog kratkog spoja prilikom kontakta s vodljivim materijalima.** Kad baterija nije u upotrebi držite je podalje od drugih metalnih predmeta kao što su spajalice papira, novčići, ključevi, čavli, vijci i drugi maleni metalni predmeti koji mogu uzrokovati međusobno spajanje kontakata baterije. Kratko međusobno spajanje kontakata baterije može uzrokovati opekline i požar.
- c) **Bateriju nemojte izlagati vrućini i vatri. Izbjegavajte pohranu na izravnom sunčevom svjetlu.**
- d) **Bateriju ne izlažite udarcima.**
- e) **Ako dođe do curenja baterije, pazite da tekućina ne dospije na kožu ili u oči. Ako dođe do kontakta, isperite to mjesto velikom količinom vode i potražite liječničku pomoć.**
- f) **Ako dođe do gutanja baterije ili njezine pojedinačne ćelije, odmah se obratite liječniku.**
- g) **Bateriju održavajte čistom i suhom.**
- h) **Ako se zaprljaju, kontakte baterije izbrišite čistom i suhom krpom.**
- i) **Bateriju treba napuniti prije upotrebe. Uvijek primijenite upute iz ovog priručnika i odgovarajući postupak punjenja.**
- j) **Bateriju ne ostavljajte na punjaču dok nije u upotrebi.**
- k) **Nakon duljih razdoblja neupotrebe možda će biti potrebno nekoliko puta napuniti i isprazniti bateriju kako bi se postigla optimalna učinkovitost.**
- l) **Punite samo punjačem koji preporučuje Worx.**
- m) **Koristite samo baterije koje su namijenjene za upotrebu uz određeni uređaj.**
- n) **Baterije držite izvan dohvata djece**
- o) **Izvorni priručnik isporučen uz uređaj sačuvajte za slučaj potrebe.**
- p) **Izvadite bateriju iz uređaja dok nije u upotrebi.**
- q) **Odlazite sukladno propisima.**
- r) **Nemojte miješati ćelije različitih proizvođača, kapaciteta, veličine ili tipa unutar istog uređaja.**
- s) **Nemojte vaditi bateriju iz originalnog pakiranja dok ne bude potrebna za upotrebu.**
- t) **Poštujte oznake plus (+) i minus (-) na bateriji i osigurajte pravilnu upotrebu.**

INFORMACIJE O STROJU LANDROID



UPOZORENJE – robotska kosilica može biti opasna ako se nepravilno koristi. Pažljivo pročitajte priručnik prije upotrebe robotske kosilice.



UPOZORENJE - Kada radi, održavajte siguran razmak od vrtnog uređaja.



UPOZORENJE – Prije rada na stroju ili podizanja stroja obavezno isključite napajanje stroja.



UPOZORENJE – Ne vozite se na vrtnom uređaju.



Li-Ion

Litij-ionska baterija. Ovaj proizvod je označen simbolom koji označava „odvojeno prikupljanje“ za sve akumulatore i baterije. Zatim će se reciklirati ili rastaviti da se smanji utjecaj na okoliš. Baterije mogu biti opasne za okoliš i za ljudsko zdravlje jer sadrže opasne tvari.



Nemojte spaljivati



Baterije mogu ući u vodeni sustav ako se nepravilno odlože u otpad, što može biti opasno za ekosustav. Nemojte odlagati prazne baterije u nerazvrstani kućanski otpad.



Ne rastavljajte stroj bez odobrenja



Rabljeni električni proizvodi ne smiju se odlagati s kućanskim otpadom. Predajte ih na odgovarajućim reciklažnim mjestima. Savjete za reciklažu zatražite od lokalnih nadležnih tijela ili dobavljača.



Uređaj klase III



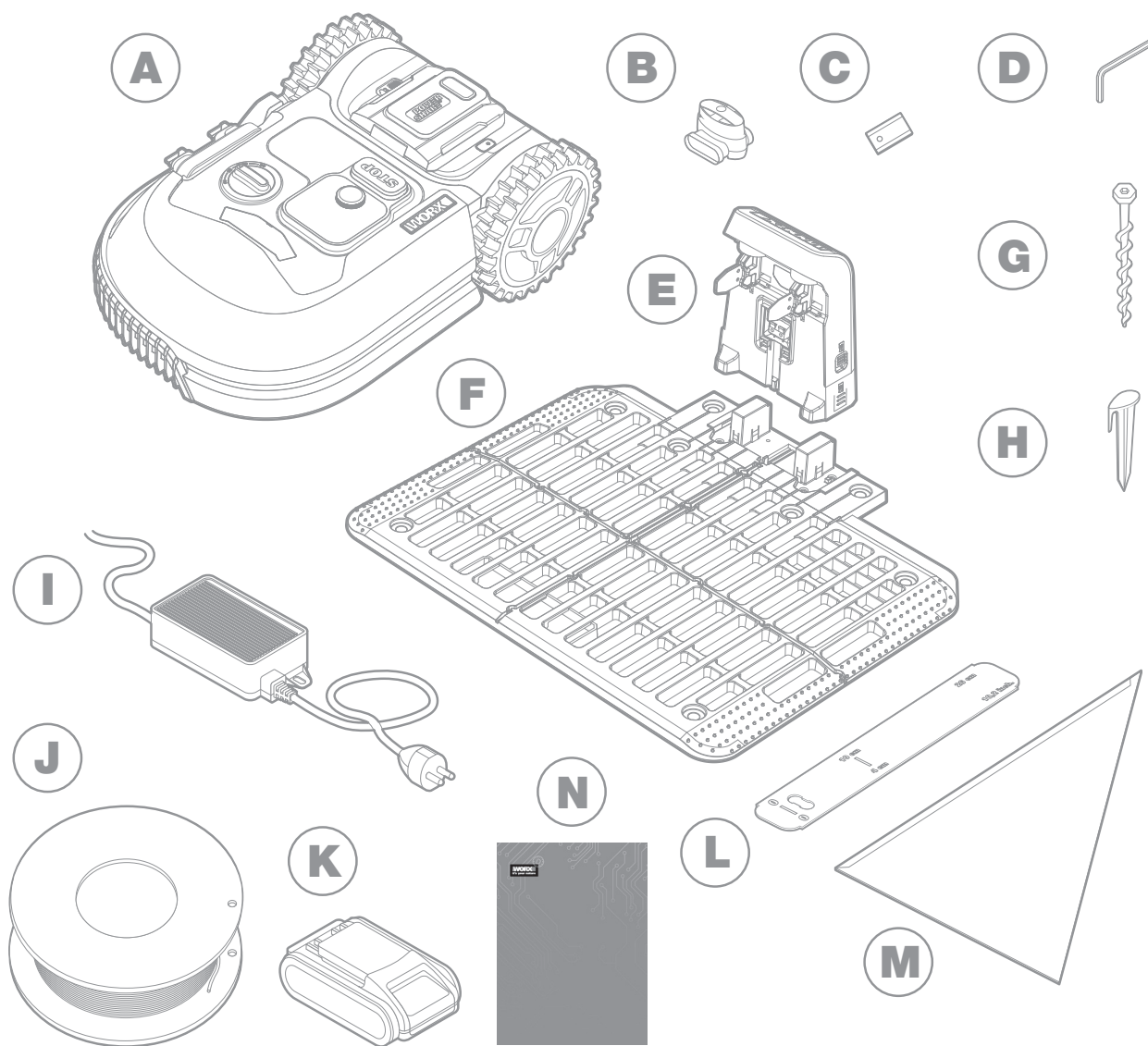
Pročitajte upute za uporabu



Uklonjiva jedinica za napajanje

Vaš Landroid se može koristiti s drugim funkcionalnim dodacima tvrtke Worx. Posjetite www.worxlandroid.com da saznate više o tim dostupnim opcijama dodataka.

**POPIS KOMPONENTI
ŠTO JE U KUTIJI**



Slika je samo ilustrativne naravi

A Worx Landroid

B Priključci za popravak žice

C Kompleti rezervnih oštrica

D Imbus ključ

E Postolje za punjenje

F Hrpa za punjenje

G Vijci

H Klinovi za žicu

I Napajanje

J Granična žica

K Baterija od 20V

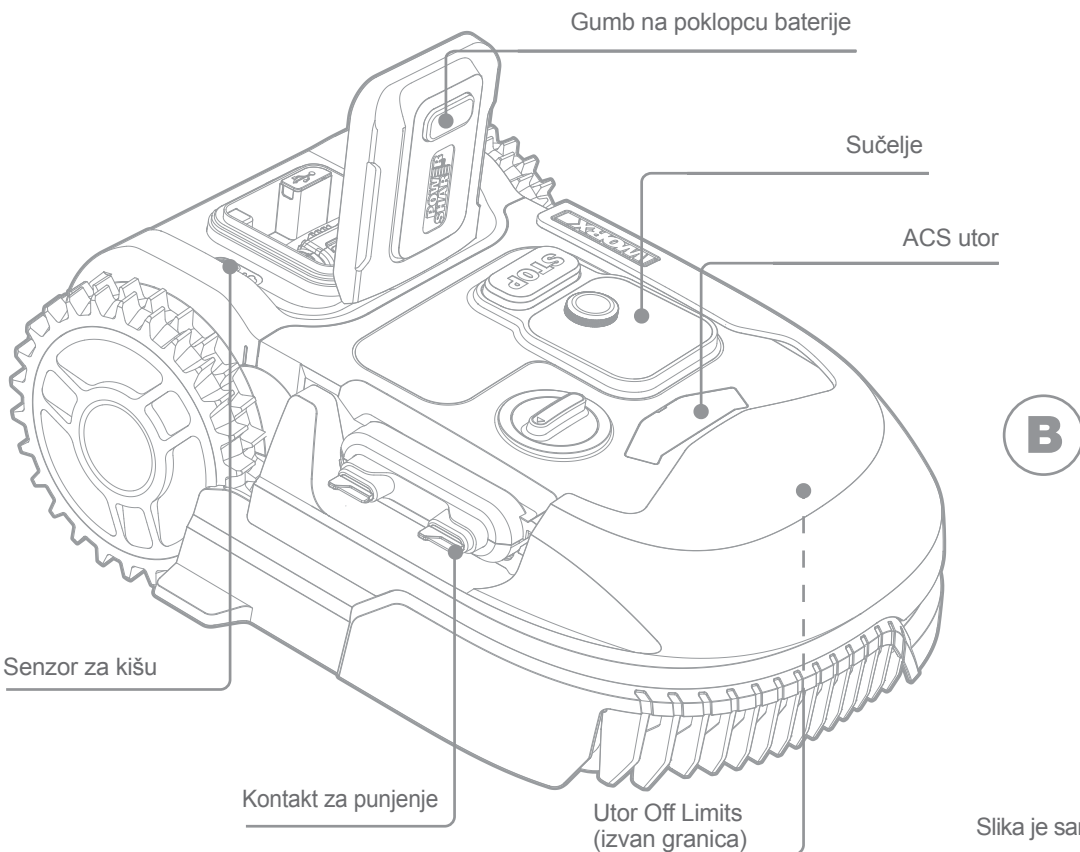
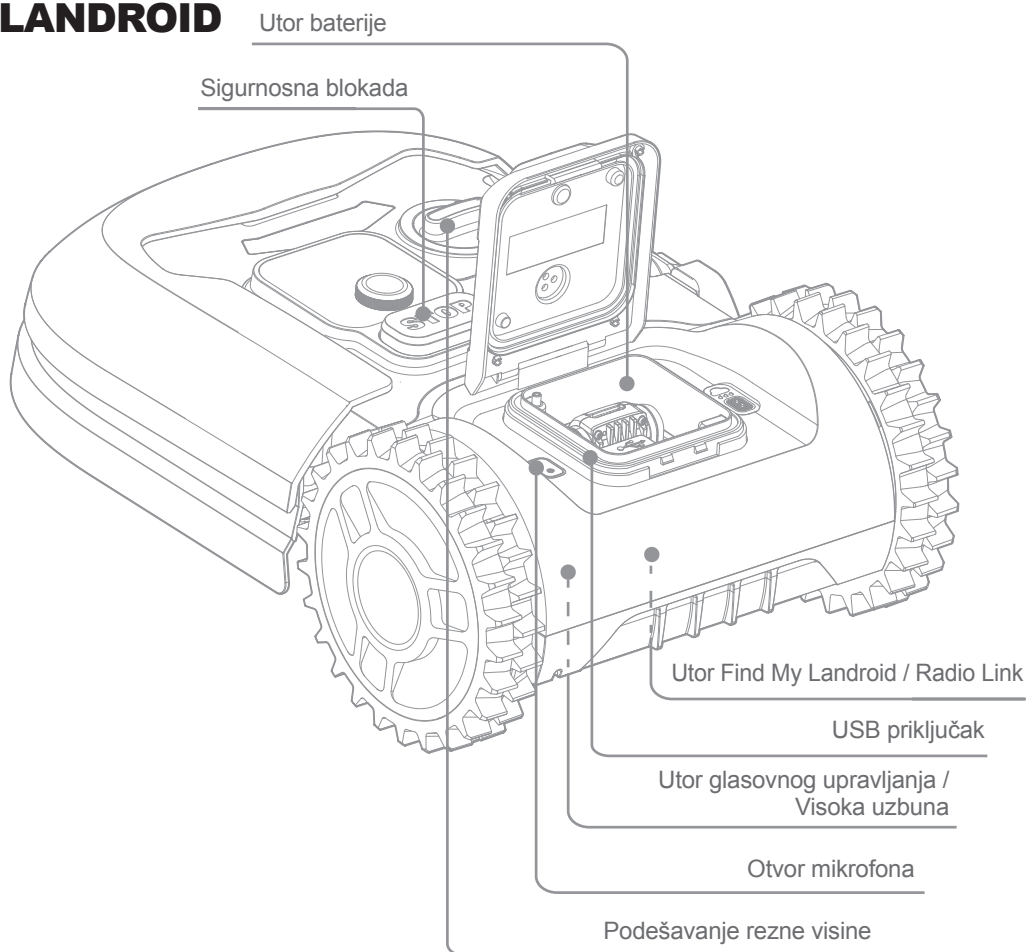
L Mjerači razmaka granične žice

M Bertelsen ravnalo

N Priručnik

UPOZNAJTE LANDROID

A



B

Slika je samo ilustrativne naravi


TEHNIČKI PODACI

Type **WR165E WR167E WR148E WR147E.1 (100-199 - oznaka stroja, označava robotsku kosilicu)**

	WR165E	WR167E	WR148E	WR147E.1
Nazivni napon	20 V Max.*			
Brzina bez opterećenja (/min)	2800		2400	
Površina košnje (m ²)	500	700	800	1000
Promjer rezanja (cm)	18		20	
Visina rezanja (mm)	30-60			
Položaji visine rezanja	4			
Vrsta baterije	Litij-ionska			
Model baterije	WA3551.3	WA3553.3	WA3551.3	WA3553.3
Vrijeme punjenja Približno (mins)	75	150	75	75
Model punjača	WA3750.1/ WA3755.1			WA3775 / WA3776
Specifikacija punjača	Ulazno: 100-240 V~50/60 Hz, 38 W, Izlazno: 20V , 1.5 A			Ulazno:100-240 V~50/60 Hz, 90 W, Izlazno: 20 V , 3.0 A
Masa uređaja (kg)	9.5	9.8	11.7	12
Stupanj zaštite	III			
App (Wifi / Bluetooth)	Y			
Frekvencijski raspon ugrađenog WLAN modula	2.412GHz-2.484GHz			
Maks. radiofrekvencijska snaga ugrađenog WLAN modula	802.11b:+16±2dBm(@11Mbps) 802.11g:+14±2dBm(@54Mbps) 802.11n:+13±2dBm(@HT20,MCS7)			
Frekvencijski pojas induksijskih sustava petlje	77 Hz			
Maks. radiofrekvencijska snaga induksijskih sustava petlje	82 dBµA/m			

*Napon izmjeren bez radnog opterećenja. Inicijalni napon baterije dostiže maksimum od 20 volti. Nominalni napon je 18 volti.

BUKA I TEHNIČKI PODACI

	WR165E	WR167E	WR148E	WR147E.1
Ponderirani zvučni tlak	$L_{pA} = 45.5 \text{ dB(A)}$		$L_{pA} = 40.68 \text{ dB(A)}$	
	$K_{pA} = 0.6 \text{ dB(A)}$		$K_{pA} = 1.36 \text{ dB(A)}$	
Ponderirana snaga zvuka	$L_{wA} = 65.5 \text{ dB(A)}$		$L_{wA} = 61.56 \text{ dB(A)}$	
	$K_{wA} = 0.6 \text{ dB(A)}$		$K_{wA} = 1.36 \text{ dB(A)}$	
Nosite zaštitu za sluh kada je zvučni tlak viši od: 80dB(A).				

Nije moguće izbjeći određeni stupanj buke iz stroja. Bučni rad mora biti dozvoljen i ograničen na određena razdoblja. Poštujte razdoblja tišine, može biti potrebno ograničiti sate rada na minimum. Radi osobne zaštite i zaštite ljudi koji rade u blizini potrebno je nositi odgovarajuću slušnu zaštitu.

DODATNA OPREMA

	WR165E	WR167E	WR148E	WR147E.1
Čavala za učvršćivanje stanice za punjenje	9	9	9	9
Žica za ograđivanje dužine	1	1	1	1
Spajalica	8	8	8	8
Imbus ključ	130m	150m	150m	180m
Mjerača	180	210	210	250
Oštrica	1	1	1	1
Priključak	2	2	2	2
Blade	9	9	9	9
Connector	2	2	2	2
Baterija (WA3551.3)	1	/	1	/
Baterija (WA3553.3)	/	1	/	1
Punjač (WA3750.1/ WA3755.1)	1	1	1	/
Punjač (WA3775 / WA3776)	/	/	/	1

Preporučujemo da dodatke kupujete u istoj trgovini u kojoj ste kupili i alat. Dodatne pojedinosti potražite na ambalaži dodataka. Osoblje u trgovini može vam pomoći i ponuditi savjet.

PREDVIĐENA UPOTREBA

Ovaj vrtni proizvod predviđen je za košnju travnjaka. Predviđen je za često košenje, što omogućuje održavanje zdravijeg i boljeg izgleda travnjaka nego ikad prije. Ovisno o veličini travnjaka, Landroid se može programirati tako da radi bilo kada i bilo kojom učestalošću, bez ograničenja. Nije namijenjen za kopanje, metenje ili čišćenje snijega.

ODRŽAVANJE

Landroid naporno radi te ga je povremeno potrebno očistiti i provjeriti. Ovaj odjeljak vodiča pomoći će vam da održite Landroid u dobrom stanju kako bi vas godinama služio bez poteškoća. Evo kako ćete se pobrinuti za svoj Landroid. Isključite uređaj prije servisiranja i održavanja. Isključite stroj prije obavljanja bilo kakvog servisa ili održavanja.

Održavajte ga ostrim

Landroid ne reže travu kao druge kosilice. Njegove su oštrice na 2 ruba oštre poput britvi i rotiraju se u oba smjera za maksimalno učinkovitu košnju.

- A. Rezni disk nasumično se rotira u smjeru kazaljke na satu ili obratno kako bi iskoristio obje oštrice za minimalnu učestalost njihove zamjene.
- B. Svaka oštrica potrajat će do 2 mjeseca ako je uređaj programiran za svakodnevnu košnju.
- C. Uvijek provjeravajte jesu li oštrice oštećene te ih po potrebi zamijenite.
- D. Ako su oštrice tupe i istrošene, treba ih zamijeniti rezervnim oštricama isporučenima uz Landroid. Rezervne oštrice dostupne su i kod Landroid dobavljača.

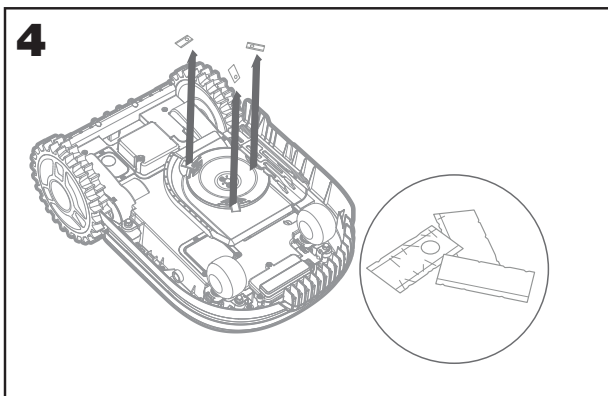
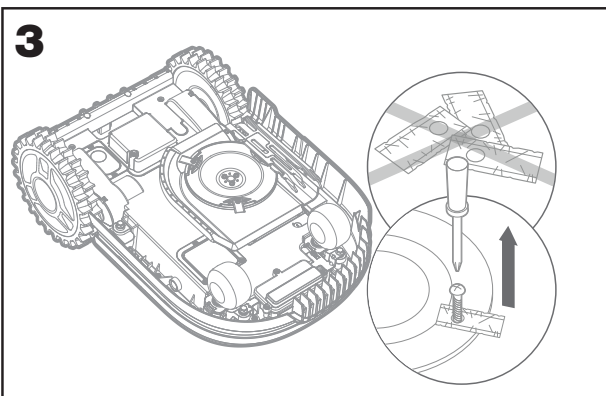
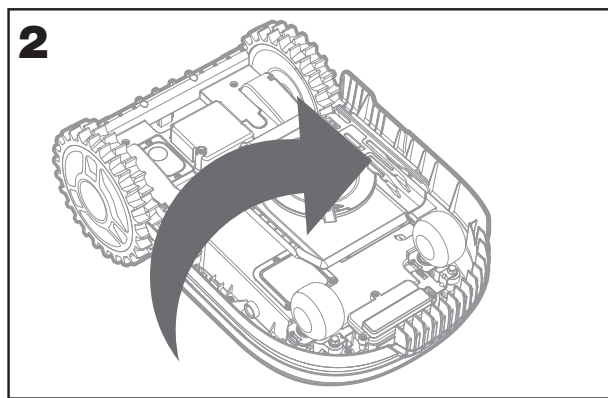
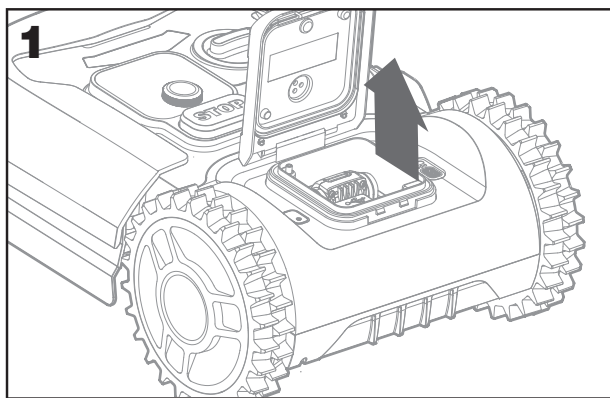
⚠ UPOZORENJE! Prije čišćenja, podešavanja ili zamjene oštrica isključite Landroid i izvadite bateriju. Uvijek nosite zaštitne rukavice.

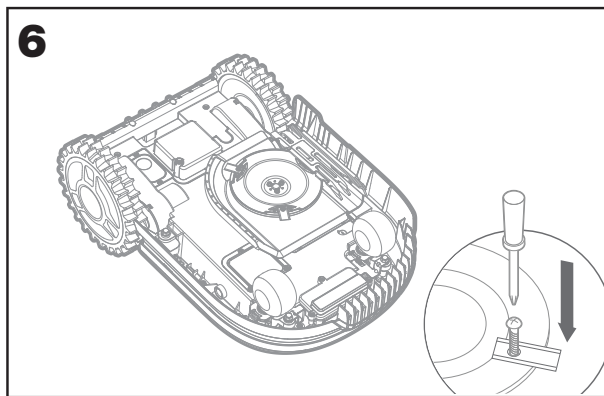
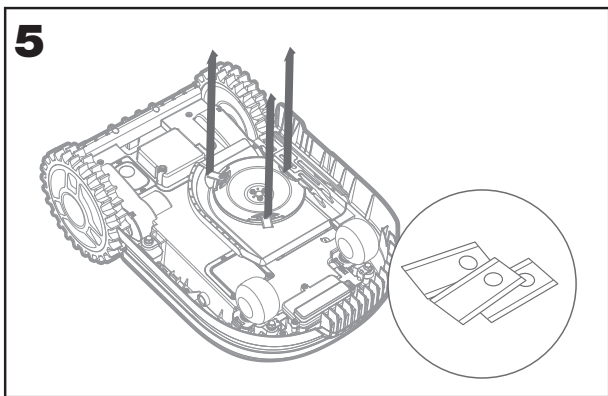
1. Zamjena oštrica

Izvadite bateriju (sl. 1) i nježno preokrenite Landroid (sl.2)

Uklonite vijke s oštrica pomoću odvijača (sl. 3 - 4)

Nove oštrice čvrsto pritegnite (sl. 5 - 6)



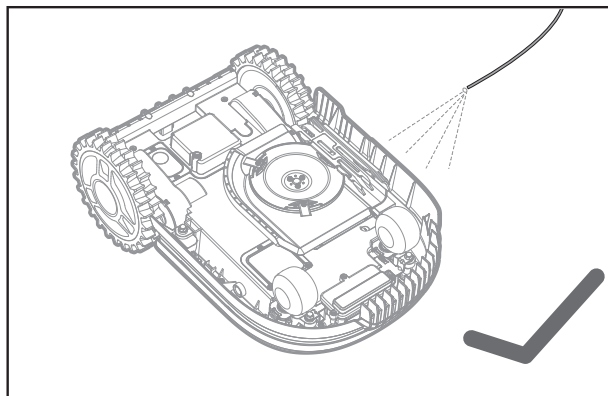
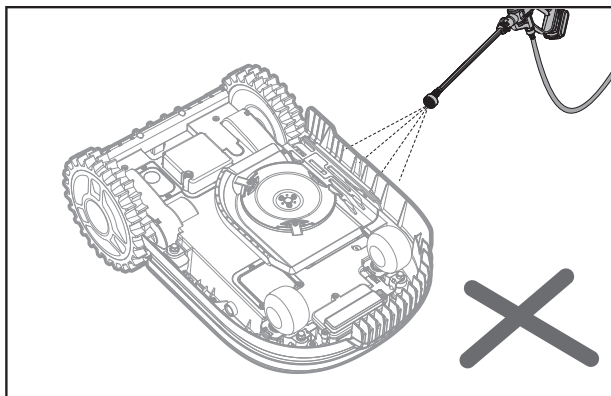


⚠ Pažnja: Prilikom zamjene oštrica zamijenite SVE oštrice. Uvijek upotrijebite nove vijke prilikom postavljanja oštrica. To je važno kako oštrica ne bi otpala i kako bi rotirajući disk bio uravnotežen. Ako ne upotrijebite nove vijke, može doći do ozbiljnih ozljeda. Važno: Nakon što učvrstite oštricu za disk, provjerite može li se slobodno okretati.

ODRŽAVANJE ČISTOĆE

Landroid treba redovito čistiti. Uklanjanje nečistoće i trave nakupljene od svakodnevne košnje omogućit će da ga održite u dobrom stanju. Landroid isključite prije čišćenja. Za dodatnu sigurnost izvadite bateriju.

⚠ Napomena: Prilikom čišćenja Landroid provjerite je li poklopac baterije zatvoren.
⚠ UPOZORENJE! VAŠ Landroid možete očistiti samo crijevom! NE upotrebljavajte perilicu visokog pritiska na vašem Landroid. Voda visokog pritiska može ući u unutrašnjost brtve i oštetiti elektroničke i mehaničke dijelove.



1. Čišćenje gornjeg dijela kućišta

- A. Očistite pomoću boce s raspršivačem napunjene vodom. Nemojte koristiti otapala ni sredstva za poliranje.
- B. Nakupljenu nečistoću uklonite četkom ili čistom krpom.

2. Čišćenje donje strane

- A. Preokrenite Landroid naopako
- B. Uklonite nečistoću i nakupljenu travu pomoću četke
- C. Pazite da ne dodirujete oštrice rukama. Nosite zaštitne rukavice.
- D. Dobro očistite rezni disk, kućište i prednje kotače mekom četkom ili vlažnom krpom.
- E. Zakrenite rezni disk kako biste provjerili može li se slobodno okretati. Uklonite sve prepreke. Uklonite sve nakupljene nečistoće kako ne bi došlo do pucanja reznog diska. Čak i najmanje pukotine utječu na učinkovitost košnje.
- F. Provjerite mogu li se oštrice slobodno rotirati oko pričvrstnih vijaka. Uklonite sve prepreke.

3. Čišćenje pogonskih kotača

- A. Uklonite blato s kotača četkom kako biste osigurali dobro prijanjanje gaznog sloja.

4. Čišćenje kontakata za punjenje

- A. Krpom očistite kontaktne pinove na postolju za punjenje i trake za punjenje na Landroidu.
- B. Povremeno uklonite sve nakupljene ostatke trave i druge nakupine oko kontaktnih pinova i na trakama za punjenje kako bi se Landroid uspješno punio, svaki put.

Održavajte ga napunjenim

Srce Landroida njegova je litij-ionska baterija Worx Powershare.

- A. Da biste pravilno pohranili bateriju, provjerite je li potpuno napunjena i čuvajte je na hladnom i suhom mjestu
- B. Preporučena radna temperatura za Landroid je 0-55°C.
- C. Vijek trajanja baterije Landroida ovisi o ukupnim satima upotrebe i duljini upotrebe po danu tijekom sezone košnje.

1. Landroid se može puniti ručno bez granične žice

- A. Postolje za punjenje priključite na odgovarajuće napajanje. Upalit će se zelena lampica na postolju za punjenje.
- B. Ručno priključite Landroid na postolje za punjenje dok je Landroid isključen.
- C. Treperit će zelena lampica na postolju za punjenje, a Landroid će se početi puniti.

Pohranite ga tijekom zime

Iako je Landroid izrađen tako da se može nositi i s najzahtjevnijim vremenskim uvjetima, preporučujemo da ga tijekom zime pohranite u alatnicu ili garažu. Da biste ga pripremili za pohranu tijekom zime:

- A. potpuno ga očistite
- B. potpuno napunite bateriju
- C. isključite napajanje.

1. Povratak na posao u proljeće

Kada je vrijeme da ponovo pokrenete Landroid za novu sezonu, obavite sljedeće provjere:

- A. ažurirajte datum i vrijeme putem aplikacije
- B. ako primijetite znakove oksidacije na kontaktima za punjenje na Landroidu i na postolju za punjenje, očistite ih finim brusnim papirom
- C. potpuno napunite bateriju Landroida prije upotrebe

Održavajte ga ažuriranim

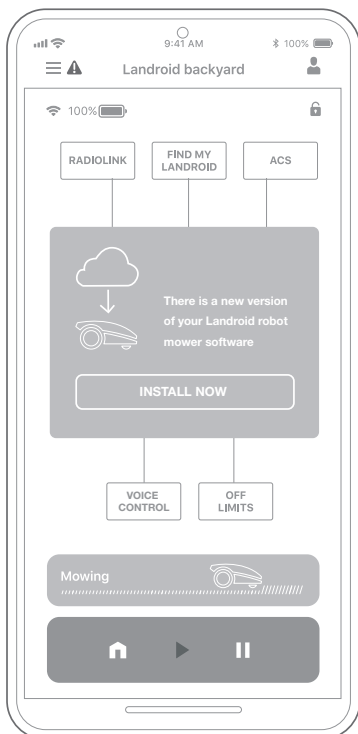
Landroid se uvijek poboljšava, a nove verzije softvera izdaju se besplatno. Softver Landroida održavajte ažuriranim kako biste iskoristili sve njegove mogućnosti.

1. Ažuriranja putem mreže (Over-the-Air, OTA)

Ako je Landroid povezan s Wi-Fi mrežom, o novoj verziji softvera bit ćete obaviješteni putem aplikacije. Nakon što potvrdite, ažuriranje se obavlja automatski putem mreže.

2. Provjerite koju verziju softvera imate

Broj verzije softvera se može vidjeti kada se Landroid uključi



3. Ručna ažuriranja

- A. Ako Landroid nije povezan s Wi-Fi mrežom, najnoviju verziju softvera možete instalirati putem USB uređaja za pohranu.
- B. Redovito posjećujte web-mjesto Worx Landroid kako biste provjerili je li dostupna nova verzija. Ako ste pretplaćeni na e-poštu o Landroidu, bit ćete obaviješteni kad bude dostupna nova verzija.
- C. Preuzmite najnoviju verziju softvera na našem web-mjestu.
- D. Uzmite prazni USB uređaj za pohranu u formatu FAT32.
- E. Spremite zip datoteku i raspakirajte sadržaj na USB uređaj za pohranu.
- F. Postavite Landroid na stabilnu i ravnu površinu.
- G. Isključite Landroid.
- H. Pristupite USB priključku sa stražnje strane Landroida.
- I. Umetnite USB uređaj u priključak.
- J. Ponovo postavite Landroid na travnjak unutar radnog područja ograničenog graničnom žicom.
- K. Uključite Landroid.
- L. Bez podizanja Landroida uklonite USB uređaj kada se prikaže „USB“.
- M. Ažuriranje će automatski započeti i može potrajati. Landroid će se automatski ponovo pokrenuti kada se ažuriranje dovrši.


NAPOMENA: Provjerite je li Landroid unutar granica prilikom ponovnog pokretanja.

PORUKE O OPERACIJI

PORUKA AKCIJA LANDROIDA	PORUKA AKCIJA LANDROIDA
Košenje trave	Košenje trave prema rasporedu košenja.
Kiša	Senzor za kišu prepoznaje vodu. Landroid će se vratiti na Stanicu za punjenje i ostati u ovom položaju dok se ne programira. Nakon sušenja, Landroid će automatski pokrenuti odbrojavanje odgode kiše, a zatim se vratiti u stanje košenja. Ako Landroid želite kositi prije toga, samo ga isključite, a zatim ponovno uključite, ali samo kad je senzor za kišu suh, ili možete potpuno eliminirati odgodu kiše postavljanjem vremena odgode kiše na nulu.
Vrati se kući	Potrebno je napuniti - oštrica se zaustavlja na putu do baze
Punjenje	Prikažite "Punjenje" i postotak napunjenosti.
Nema radnog vremena	Stanje čekanja, treba ga programirati prema potrebi.
Danas ne radi	Stanje pripravnosti započet će prema rasporedu košenja.
Posao obavljen danas	
Pretraživanje područja	Prema postavci "Prilagođenog radnog prostora", Landroid pretražuje
Završeno punjenje	Landroid je završio punjenje.
Punjenje u nuždi	Punjenje u nuždi Landroid se puni u isključenom stanju.

PORUKE O GREŠKAMA

Ponekad stvari mogu poći po krivu. Srećom, Landroid je dovoljno pametan da vas obavijesti ako naiđe na problem, da biste ga mogli riješiti. Ako niste sigurni, posjetite našu web-stranicu gdje ćete naći korisne video snimke i daljnju podršku.

PORUKA	UZROK	POSTUPAK
	Poklopac baterije nije zatvoren	Zatvorite poklopac baterije
Outside working area! Press START to reset.	Landroid ne može naći signal granične žice.	1. Ako je Landroid zaista izvan radnog područja: isključite napajanje, odnesite Landroid unutar radnog područja, uključite napajanje i pritisnite gumb za pokretanje. 2. Ako je Landroid unutar radnog područja, provjerite je li LED svjetlo na bazi za punjenje zeleno. Ako je crveno, provjerite je li granična žica pravilno priključena na bazu za punjenje i je li baza za punjenje priključen na odgovarajuće napajanje. Ako su pravilno priključeni, znači da su priključci granične žice nepravilno stegnuti i moraju se obrnuti.
WRONG PIN! Please retry.	PIN broj je pogrešan.	Unesite točan PIN ili ponovo zadajte PIN.
Blade motor fault! Press START to reset.	Nešto blokira disk s noževima, npr. grančica.	Isključite napajanje. Okrenite Landroid naopačke i provjerite da li nešto sprječava okretanje diska s noževima te uklonite eventualne zapreke. Okrenite Landroid u uspravan položaj. Uključite napajanje. Pritisnite gumb za pokretanje.
	Nož je preopterećen zbog debele guste trave.	Isključite napajanje. Odnosite Landroid na površinu s kratkom travom ili podesite visinu rezanja na višu postavku. Uključite napajanje. Pritisnite gumb za pokretanje.
Wheels motor fault! Press START to reset.	Motor kotača je blokiran na neki način.	Isključite napajanje i odnesite Landroid na područje bez prepreka. Uključite napajanje. Pritisnite gumb za pokretanje. Ako se poruka greške i dalje prikazuje, isključite napajanje. Okrenite Landroid naopačke i provjerite da li nešto sprječava okretanje kotača. Uklonite eventualne zapreke, okrenite Landroid u uspravan položaj i uključite napajanje.
Upside down! Press START to reset.	To se možda dogodilo kada je Landroid došao na kosinu zbog koje se prevrnuo.	Okrenite Landroid u uspravan položaj i uklonite eventualne prepreke koje su mogle uzrokovati da se Landroid prevrne.
Mower trapped! Press START to reset.	Landroid je zaglavio.	Isključite napajanje. Odnosite Landroid na površinu na travnjaku gdje nema prepreka i zatim uključite napajanje. Pritisnite gumb za pokretanje. Ako se poruka greške i dalje prikazuje: isključite napajanje, okrenite Landroid naopačke. Provjerite da li išta sprječava okretanje kotača. Uklonite eventualne zapreke, okrenite Landroid u uspravan položaj i uključite napajanje.

Mower lifted! Press START to reset.	Landroid je podignut.	Isključite napajanje. Odnosite Landroid na površinu bez prepreka i uključite napajanje. Pritisnite gumb za pokretanje. Ako se poruka greške i dalje prikazuje: isključite napajanje, okrenite Landroid naopačke i provjerite da li je Landroid zbog nečega odignut od tla. Uklonite eventualne predmete, okrenite Landroid u uspravan položaj i uključite napajanje.
Battery voltage too low! Please change battery.	Akumulator istrošen.	U ovom slučaju morate isključiti Landroid i staviti ga u bazu za punjenje, zatim će se na ekranu prikazati „Punjenje u nuždi“ i stroj će se početi puniti. Ako je greška akumulatora i dalje prisutna, akumulator je oštećen i mora se zamijeniti.
Wire missing! Press START to reset.	Stroj ne može pronaći signal granične žice.	Ako je LED indikator crven, provjerite je li granična crta pravilno spojena na kopču na hrpi za punjenje Ako se problem nastavi, provjerite da granična žica nije presječena.
Battery temperature out of range! Please wait.	Temperatura je previsoka (viša od 55°C) ili preniska (niža od 0°C) tijekom punjenja.	Stavite bazu za punjenje na sjenovito mjesto ili pričekajte dok ne dođe na normalnu temperaturu.
Can't find charge station press START to reset.	Granična žica je premašila maksimalnu duljinu (350 m) ili stroj nema dovoljno napajanja da se vrati do stanice za punjenje.	Odnosite Landroid do stanice za punjenje.
Mower locked!	Dok je „Funkcija zaključavanja“ uključena, ako Landroid 3 dana ne primi signal iz vašeg Wi-Fi routera, onda se zaključava radi sigurnosti. To može biti ako je router izgubio napajanje ili ste promijenili Wi-Fi router ili pružatelja internetskih usluga.	Ponovo spojite Landroid na Wi-Fi mrežu s kojom je prvobitno bio uparen. Ako to nije moguće, kontaktirajte Službu za korisnike.

NAPOMENE


- A. Prije uključivanja napajanja, uvijek provjerite je li Landroid unutar radnog područja. Ako nije, prikazat će se poruka „Izvan radnog područja! Pritisnite “START” za resetiranje“. Ta poruka se također prikazuje kada je Landroid djelomično, ali ne potpuno, unutar radnog područja.
- B. Ako iz bilo kojeg razloga - npr. održavanje zabave, dječje igre... - želite parkirati Landroid u bazi za punjenje: pritisnite gumb „Home“ i zatim gumb „OK“. Landroid će otići do baze i ostati tamo. Imajte na umu da će Landroid sada čekati do sljedeće zakazane košnje. Ako ga u bilo kojem trenutku želite ponovo pokrenuti, pritisnite „Start“ i zatim „OK“ da biste pokrenuli Landroid.
- C. Ako se neka greška opetovano javlja na istom dijelu travnjaka, možda imate problem s graničnom žicom pa pogledajte upute za instalaciju i pomoću njih provjerite je li sve pravilno postavljeno.
- D. Ako je travnjak podijeljen na dva područja, povezana prolazom koji je uži od 1 m, a samo jedno područje ima bazu za punjenje: kada se Landroid isprazni, odnesite ga ručno do baze za punjenje.
- E. Ako Landroid povremeno radi nepravilno, resetirajte ga tako da ga isključite i izvadite bateriju na 30 sekundi, zatim ga ponovo pokrenite. Ako se problem ne može riješiti, kontaktirajte našu Službu za korisnike radi pomoći.

OTKLANJANJE POTEŠKOĆA


Ako vaš Landroid ne radi kako treba, potražite informacije u nastavku. Ako se problem nastavi, obratite se službi za korisnike.

SIMPTOM	UZROK	RJEŠENJE
Ne uključuje se lampica na postolju za punjenje.	Nema napajanja.	Provjerite je li baza za punjenje pravilno priključena na punjač i je li punjač priključen u odgovarajuću utičnicu.
Pali se crvena lampica na postolju za punjenje.	Granična žica nije priključena.	Provjerite je li granična žica pravilno povezana s postoljem za punjenje. Provjerite nema li prekida i napaknuća u graničnoj žici.
Landroid se uključuje, ali rezni disk se ne pokreće.	Landroid traži postolje za punjenje.	To je normalno, Landroid treba napuniti. Rezni disk se ne rotira dok uređaj automatski traži postolje za punjenje.
Landroid vibrira.	Rezni disk nije uravnotežen. Oštrice su možda oštećene.	Provjerite oštrice i zamijenite ih ako su oštećene. Uklonite nakupine i predmete s oštrica i reznog diska.
Trava je neravnomjerno pokošena.	Landroid prekratkot radi da bi pokosio svu travu.	Produljite vrijeme košnje za nekoliko sati.
	Područje košnje je preveliko za vaš Landroid.	Pokušajte smanjiti područje košnje ili produljite vrijeme rada.
	Oštrice su tupe.	Promijenite sve oštrice i vijke kako biste uravnotežili rezni disk.
	Rezna visina je premala za travu na travnjaku.	Povećajte reznú visinu, a zatim je postupno smanjujte.
	Trava ili neki predmet omotani su oko reznog diska.	Provjerite rezni disk i uklonite svu travu ili predmete koji sprječavaju rotaciju.
	Na reznom disku ili kućištu motora nakupila se trava.	Provjerite može li se rezni disk slobodno okretati. Po potrebi odvojite rezni disk i uklonite nakupine.
Landroid je unutar radnog područja i granična žica je priključena, ali prikazano je „– E1 –“.	Krajevi granične žice nepravilno su spojeni.	Obrnite krajeve granične žice i ponovo je povežite s postoljem za punjenje.
Vrijeme punjenja znatno je dulje od nazivnog vremena punjenja.	Slaba veza uzrokovana nakupinama na traci za punjenje.	Krpom očistite kontaktne pinove na postolju za punjenje i trake za punjenje na Landroidu.
	Aktivirao se program zaštite tijekom punjenja zbog visoke temperature.	Postavite bazu za punjenje na sjenovito mjesto ili pričekajte dok se uređaj ne ohladi.
Kosilica se ne puni.	Nema napajanja.	Provjerite je li kabel napajanja pravilno priključen na punjač i je li punjač priključen u odgovarajuću utičnicu. Kontakt je uspostavljen kada obje trake za punjenje na kosilici dodiruju središte kontaktnih traka na postaji za punjenje.

Landroid je počeo raditi kraće između punjenja.	Nešto je zaglavljeno u reznom disku, stvara otpor o povećava potrošnju energije.	Uklonite rezni disk i očistite ga. Trava je možda previsoka ili pregusta.
	Landroid izrazito podrhtava jer rezni disk nije uravnotežen.	Provjerite rezni disk i oštrice te uklonite nakupine i predmete iz oštrica i reznog diska. Zamijenite oštrice novim kompletom.
	Baterija je možda slaba ili stara.	Zamijenite bateriju.
	Vrijeme rada je isteklo	ponovo postavite vrijeme rada
Landroid se ne uključuje u odgovarajuće vrijeme.	Sat nije pravilno podešen. Programirana vremena košnje za Landroid nisu ispravna.	Podesite sat. Promijenite vrijeme uključivanja i isključivanja kosilice.
	Promijenjen je postotak tjednog vremena rada putem aplikacije.	Podesite odgovarajući postotak putem aplikacije.
	Postotak tjednog vremena trčanja koji je zadao APP se promijenio.	Postavite tačan postotak putem APP.
Landroid se ne može pravilno spojiti s bazom za punjenje.	Okolišni čimbenici.	Ponovo pokrenite Landroid.
	Slaba veza uzrokovana nakupinama na traci za punjenje.	Krpom očistite kontaktne pinove na postolju za punjenje i trake za punjenje na Landroidu.
Zelena lampica na postolju za punjenje uključuje se prije dovršetka punjenja.	Postolje za punjenje je pretoplo ili prehladno.	Postolje za punjenje prenesite na sjenovito mjesto ili pričekajte dok uređaj ne postigne normalnu temperaturu.
Kotači Landroida proklizavaju.	Prepreke kao što su korijenje i grane mogu se zaglaviti ispod kosilice Landroid.	Uklonite zaglavljene predmete s podnožja kosilice Landroid.
	Travnjak je previše mokar.	Pričekajte dok se travnjak ne osuši.
Landroid radi izvan granične žice. Landroid ne kosi područje unutar zone označene graničnom žicom. Landroid se vraća ili se nasumično okreće u blizini granične žice.	Granična žica druge kosilice Landroid ili druge robotske kosilice preblizu je postavljena.	Provjerite je li razmak između vaše i susjedove granične žice barem 1 m.
	U vlažnim uvjetima električni signal granične žice može se prekidati na mjestu nepravilnog spoja ili popravka.	Provjerite spojeve granične žice. Izolirajte spojeve radi zaštite od vode.
	Električni signal granične žice prekida se zbog oštećene izolacije.	Oštećenu graničnu žicu popravite pomoću isporučenih priključaka.
Landroid proklizava izvan radnog područja na nizbrdici.	Pogonski kotači Landroida slabo prijanjaju.	Provjerite jesu li kotači čisti za najbolje moguće prijanjanje.
Operacijski sustav Landroida ruši se tijekom punjenja ili u stanju pripravnosti.	Pogreška softvera ili zaslona.	Ponovo pokrenite Landroid.

Landroid se isključuje prilikom priključivanja na postolje za punjenje.	Landroid se ne puni zbog temperaturne zaštite te se isključuje.	Postavite bazu za punjenje na sjenovito mjesto ili pričekajte dok se uređaj ne ohladi.
	Loš kontakt.	Pali se lampica na postolju za punjenje. Provjerite kontakt između kontaktnih pinova na postolju za punjenje i trake za punjenje na Landroidu.
Landroid se zaustavlja u radnom području.	Na radnom području nalazi se prepreka.	Uklonite prepreke iz radnog područja Landroida.
	Rezna visina je premala za travu na travnjaku ili je trava pregusta.	Povećajte reznu visinu, a zatim je postupno smanjite.
	Ukupna duljina granične žice ne smije biti veća od 350m, u suprotnom može doći do poteškoća sa signalom.	Smanjite duljinu granične žice.
	Razmak od središta travnjaka i granične žice ne smije biti veći od 25m kako ne bi došlo do gubitka snage signala.	Smanjite razmak između središta travnjaka i granične žice na manje od 25 m.
Landroid se prevrće.	Na travnjaku se nalazi nagib.	Isključite nagib i uklonite prepreke iz radnog područja Landroida.
Landroid se ne može povezati s internetom.	Provjerite postavke usmjerivača.	<p>Provjerite je li frekvencija usmjerivača 2,4 GHz. Ako vaš usmjerivač ima dvije postavke, omogućite pojas od 2,4 GHz.</p> <p>Provjerite je li usmjerivač u načinu 802.11 i jesu li bežične postavke b/g/n.</p> <p>Provjerite je li na usmjerivaču omogućena funkcija SSID Broadcast prilikom povezivanja uređaja s aplikacijom.</p> <p>Možete je zatvoriti nakon uspješnog povezivanja.</p> <p>Provjerite je li omogućena funkcija DHCP.</p> <p>Ako promijenite Wi-Fi mrežu, morate povezati Landroid s novom mrežom.</p> <p>Ako imate „Fritz!box“ usmjerivač, provjerite je li aktivirana postavka „Allow communication between devices in same network“ (Dopusti komunikaciju između uređaja u istoj mreži).</p>
	Provjerite je li usmjerivač odspojen ili je promijenjen WIFI SSID is changed.	Provjerite je li usmjerivač povezan i je li WIFI SSID ispravan.
Kad podesite "Mjesec / sat / minuta", vaš će Landroid zapištati,	Ovo je normalno	Protiv smjera kazaljke na satu  Izvršite podešavanja.

ZAŠTITA OKOLIŠA

 Rabljeni električni proizvodi ne smiju se odlagati s kućanskim otpadom. Predajte ih na odgovarajućim reciklažnim mjestima. Savjete za reciklažu zatražite od lokalnih nadležnih tijela ili dobavljača.

DEKLARACIJA USKLAĐENOSTI

Mi,
Positec Germany GmbH
Grüner Weg 10, 50825 Cologne, Germany

U ime Positeca izjavljuju da je proizvod

Opis **Robotska kosilica**

Vrsta **WR165E WR167E WR148E WR147E.1 (100-199 - oznaka stroja, označava robotsku kosilicu) (Serijski broj se nalazi na poledini) s punjačem baterije WA3775 / WA3776/WA3750.1/ WA3755.1 i bazom za punjenje WA4002.1**

Funkcija **Rezanje trave**

Usklađeno sa sljedećim smjernicama,

2006/42/EC, 2014/30/EU, 2014/35/EU, 2011/65/EU&(EU)2015/863, 2000/14/EC modificada por 2005/88/EC, 2014/53/EU

WR165E WR167E

2000/14/EC dopunjeno 2005/88/EC

- Postupak procjene sukladnosti prem
- Izmjerena razina zvučne snage
- Deklarirana zajamčena razina zvučne snage

Annex V
65.5 dB (A)
67 dB (A)

WR148E WR147E.1

- Postupak procjene sukladnosti prem
- Izmjerena razina zvučne snage
- Deklarirana zajamčena razina zvučne snage

Annex V
61.56 dB (A)
63 dB (A)

Nadležna ovlaštena organizacija

Naziv: Intertek, Semko AB (ovlaštena organizacija 0413)

Adresa: Torshamnsgatan 43164 22 Kista Sweden

Br. certifikata: 201002326SHA-V1

Standardi usklađeni s,

EN 60335-1:2012+A11+A13+A14+A2:2019, EN 50636-2-107:2015+A1+A2:2020, EN 60335-2-29:2004+A2+A11:2018, EN 62233:2008, EN 55014-1:2017+A11:2020, EN 55014-2:2015, EN IEC 61000-3-2:2019, EN 61000-3-3:2013+A1:2019, EN ISO 3744:2005, EN 300 328 V2.2.2, EN 301 489-1 V2.2.3, EN 301 489-17 V3.2.4, EN IEC 62311:2020, EN 61558-1:2005+A1:2009, EN 61558-2-16:2009+A1:2013, EN 55011:2016+A11:2020, EN 303 447 V1.1.1, EN 55032:2015+A11:2020, EN 55035:2017+A11:2020

Osoba ovlaštena za sastavljanje tehničke dokumentacije,

Ime Marcel Filz

Adresa Positec Germany GmbH, Grüner Weg 10, 50825 Cologne, Germany



2020/12/02

Allen Ding

Zamjenik šefa inženjeringa, Testiranje i certifikacija

Positec Technology (China) Co., Ltd

18, Dongwang Road, Suzhou Industrial

Park, Jiangsu 215123, P. R. China

PRODUKTSIKKERHED GENERELLE OG YDERLIGERE SIKKERHEDSVEJLEDNINGER

⚠ ADVARSEL: Læs alle sikkerhedsadvarslerne og alle vejledningerne. Følges advarslerne og instruktionerne ikke, kan det føre til elektrisk stød, brand og/eller alvorlig personskade.

Læs alle vejledningerne omhyggeligt, så denne maskine betjenes på en sikker måde.

Gem alle advarsler og vejledninger til senere brug.

- Dette apparat er ikke beregnet til brug af personer (herunder børn), med begrænsede fysiske, sensoriske eller mentale evner, eller personer med manglende erfaring eller viden, medmindre de er blevet vejledt eller instrueret i hvordan apparatet bruges, af en person med ansvar for deres sikkerhed.

- Børn skal være under opsyn, for at sikre de ikke leger med apparatet.

- Apparatet må kun anvendes sammen med den leverede strømforsyningsenhed.

- Batteriet i denne enhed kan kun udskiftes af kvalificeret personale.

ADVARSEL: Brug kun den flytbare strømforsyningsenhed, der følger med enheden, for at oplade batteriet.

ADVARSEL: Hvis du vil reducere risikoen for skader til person og beskadige enheden, må du ikke fjerne batteriet, før du lukker maskinen ned.

VIGTIGT

LÆS FORSIGTIGT FØR BRUG

BEHOLD TIL SENERE BRUG

Sikker brugspraksis

Uddannelse

- Læs instruktionerne omhyggeligt. Sørg for, at du forstår vejledningerne, og at du er bekendt med betjeningsknapperne og hvordan apparatet bruges ordentligt.
- Lad aldrig personer, som ikke er bekendte med disse vejledninger, eller børn bruge apparatet. Den lokale lovgivning kan begrænse alderen på brugeren.
- Brugeren er ansvarlig for mulige uheld og farlige situationer for andre personer og deres ejendom.

Forberedelse

- Sørg for, at områdeafgrænsningen udføres korrekt, som beskrevet i vejledningerne.
- Efterse regelmæssigt områder, hvor apparatet skal bruges, og fjern alle sten, pinde, ledninger, knogler og andre genstande.
- Efterse regelmæssigt skæreklingen, boltene og samlingerne, og sørg for at de ikke er nedslidte eller beskadigede. Udskift nedslidte eller beskadigede skæreklinger og bolte i sæt, så du bibeholder balancen.
- På apparater med flere aksler, skal du være forsigtig når du drejer klingen, da den anden kan ske også at dreje.
- ADVARSEL:** Plæneklipperen må ikke anvendes uden beskyttelsesdækslet monteret.

Betjening

1. Generelt

- Brug aldrig apparatet med ødelagte skærme, eller uden at sikkerhedsanordningerne, så som afgangsskærmene, er på plads.
- Put ikke hænderne eller fødderne under drejende dele. Sørg altid for, at holde dig væg fra udstødningsåbningen.
- Saml ikke ting op, eller bær på ting, mens apparatets motor kører.
- Betjen afbrydningsfunktionen fra applikationen
 - Før du renser maskinen for blokerende elementer.

- Før du efterser, rengøre eller arbejder på apparatet.
- e) Det er ikke tilladt, at ændre på græsslåmaskinens originale design. Alle ændringer som laves er på dit eget ansvar.
- f) Start græsslåmaskinen som beskrevet i vejledningerne. Når kontakten står på ON (tændt), skal du sørge for at holde dine hænder og fødder væk fra de drejende klinger. Put aldrig dine hænder eller fødder under græsslåmaskinen.
- g) Du må aldrig løfte græsslåmaskinen, eller bære rundt på den, mens kontakten står på ON (tændt).
- h) Lad ikke personer, som ikke ved hvordan græsslåmaskinen virker og opfører sig, bruge den.
- i) Undgå, at stille ting oven på græsslåmaskinen eller dens opladestation.
- j) Undgå, at bruge græsslåmaskinen med en ødelagt klinge eller karrosseri. Og den må heller ikke bruges med ødelagte klinger, skruer, møtrikker eller kabler.
- k) Sluk altid for græsslåmaskine-robotten, når du ikke har i sinde at bruge robotten. Græsslåmaskine-robotten kan kun starte, når kontakten er tændt og den korrekte PIN-kode er indtastet.
- l) Hold hænderne og fødderne væk fra de roterende blade. Placér aldrig hænderne eller fødderne tæt på eller under kassen, mens robot-plæneklipperen er i funktion.
- m) Undgå at bruge maskinen og dens eksterne enheder under dårlige vejrforhold, især når der er risiko for lynnedslag.
- n) Rør ikke bevægelige farlige dele, før disse er kommet til et fuldstændigt stop.
- o) For maskiner, der anvendes i offentlige områder, de advarselsskilte skal anbringes i nærheden af maskinens arbejdsområde. De skal vise indholdet af den følgende tekst:
Advarsel! Automatisk plæneklipper! Hold dig væk fra maskinen! Tilsyn med børn!

2. Når apparatet bruges automatisk

- a) Efterlad ikke maskinen i brug uden opsyn, hvis du ved der er kæledyr, børn eller andre personer i nærheden.

Vedligeholdelse og opbevaring

ADVARSEL! Når græsslåmaskinen er vendt på hovedet, skal kontakten altid stå på OFF (slukket).

Kontakten skal hele tiden stå på OFF (slukket), når der arbejdes på græsslåmaskinens underside, f.eks. når du skal rengør eller skifte klingerne.

- a) Sørg for, at alle møtrikker, bolte og skruer sidder ordentlig fast, så du sikre at apparatet er sikker stand.
- b) Efterser græsslåmaskinen hver uge, og skift nedslidte eller ødelagte dele.
- c) Kontroller, at klingerne og klingeskiven ikke er beskadigede. Skift alle klinger og skruer på samme tid, så de drejende dele er balancerede.
- d) Sørg for, at du udskifter skæreelementerne med den rigtige type.
- e) Sørg for, at batterierne oplades med den rigtige oplader, som er blevet anbefalet af producenten. Forkert brug kan føre til elektrisk stød, overophedning eller udslip af ætsende væsker fra batteriet.
- f) I tilfælde af udslip af elektrolyt, skal du skylle med vand/neutraliserende middel, og søg lægehjælp hvis det kommer i kontakt med dine øjne.
- g) Reparation af apparatet skal ske i henhold til producentens vejledninger.

Anbefaling

Tilslut kun maskinen og/eller dets periferiudstyr til et forsyningskredsløb beskyttet af en reststrømsanordning (RCD) med en trippestrøm på højst 30mA.

Resterende ricisi

For at undgå personskader, brug beskyttelseshandsker ved udskiftning af knivene.

Transport

Når græsslåmaskinen skal transporteres over længere afstande, skal du bruge originalemballagen. Sådan flyttes græsslåmaskinen sikker fra eller indenfor arbejdsområdet:

- a) Tryk på STOP knappen for at standse plæneklipperen.
Du vælger den firecifrede PIN-kode, når du starter plæneklipperen første gang.
- b) Stil kontakten på OFF (slukket), hvis du har i sinde at bære på græsslåmaskinen.
- c) Løft græsslåmaskinen i bærehåndtaget på forsiden. Løft græsslåmaskinen med klingeskiven væk fra kroppen.

Krav for RF-eksponering

For at opfylde kravene for RF-eksponering, en separationsafstand på 200 mm eller mere bør opretholdes mellem denne enhed og personer gennem enhedsdrift.

At sikre overholdelse, operationer på tættere end denne afstand anbefales ikke. Antennen, der anvendes til denne sender, må ikke være placeret i sammenhæng med enhver anden antenne eller transmitter.

Sikkerhedsforskrifter til batterisæt

- a) **Sekundærelementer eller batterisæt må ikke skilles ad, åbnes eller knuses.**
- b) **Et batterisæt må ikke kortsluttes. Batterisæt må ikke opbevares lemfældigt i en kasse eller skuffe, hvor de kan kortslutte hinanden eller kortsluttes af ledende genstande.** Når batterisættet ikke er i brug, skal det holdes væk fra andre metalgenstande, såsom papirclips, mønter, nøgler, søm, skruer eller andre små metalgenstande, der kan skabe en forbindelse fra en pol til en anden, Kortslutning af batteripoler kan medføre forbrændinger eller brand.
- c) **Batterisættet må ikke udsættes for varme eller ild. Må ikke opbevares i direkte sollys.**
- d) **Batterisættet må ikke udsættes for mekaniske stød.**
- e) **I tilfælde af at et batteri lækker, må væsken ikke komme i kontakt med huden eller øjne. Hvis der er sket kontakt, skal det berørte område vaskes med rigelige mængder vand, hvorefter der søges lægehjælp.**
- f) **Søg straks lægehjælp, hvis et element eller batterisæt er nedsvælget.**
- g) **Opbevar batterisæt på et rent og tørt sted.**
- h) **Aftør batterisættets poler med en tør klud, hvis de bliver snavsede.**
- i) **Batterisæt skal oplades før anvendelsen. Anvend altid den korrekte oplader, og læs producentens anvisninger eller brugervejledning for, hvordan batterierne oplades korrekt.**
- j) **Et batterisæt må ikke efterlades til opladning i længere tid, hvis det ikke anvendes.**
- k) **Efter længere opbevaringsperioder kan det være nødvendigt at oplade eller aflade batterisættet flere gange for at opnå den optimale ydelse.**
- l) **Genoplad kun med laderen specificeret af Worx. Anvend ingen anden oplader end den, der specifikt er beregnet til brug med udstyret.**
- m) **Brug kun det korrekte batteri til udstyret.**
- n) **Batterisættet skal opbevares utilgængeligt for børn.**
- o) **Opbevar den originale produktlitteratur til fremtidig brug.**
- p) **Batterisættet skal fjernes fra udstyret, når det ikke er i brug.**
- q) **Bortskaffes på en miljørigtig måde.**
- r) **Bland ikke batterier af forskellig fremstilling, kapacitet, størrelse eller type i enheden.**
- s) **Tag ikke batteriet ud af originalemballagen, før det er nødvendigt.**
- t) **Vær opmærksom på plus (+) og minus (-) mærkerne på batteriet for at sikre korrekt brug.**

OPLYSNINGER OM DIN LANDROID



ADVARSEL – robotplæneklippere kan være farlige, hvis de ikke bruges korrekt. Læs betjeningsvejledningen omhyggeligt igennem og forstå indholdet, inden du bruger robotplæneklipperen.



ADVARSEL – Sørg for, at holde en sikker afstand fra maskinen når den er i brug.



ADVARSEL – Betjen inaktiveringsmekanismen, inden du arbejder med eller løfter maskinen



ADVARSEL – Du må ikke ride på maskinen.



Li-Ion



Lithium-ion batteri Dette produkt er mærket med et symbol i forbindelse med “separat indsamling” af alle batterier og batteripakker. Det genanvendes eller fjernes for at reducere miljøbelastningen. Batteriet kan være skadeligt for miljøet og menneskers sundhed, fordi det indeholder skadelige stoffer.



Må ikke brændes



Batterier kan påvirke vandmiljøet, hvis de ikke bortskaffes korrekt, hvorved de kan udgøre en fare for økosystemet. Bortskaf ikke batterierne som almindeligt affald.



Demonter ikke maskinen uden tilladelse



Elektrisk affald må ikke smides ud sammen med dit almindelige husholdningsaffald. Du bedes venligst genbruge affaldet hvis muligt. Forhør dig hos din lokale kommune eller din forhandler vedrørende genbrug.



Klasse III apparat



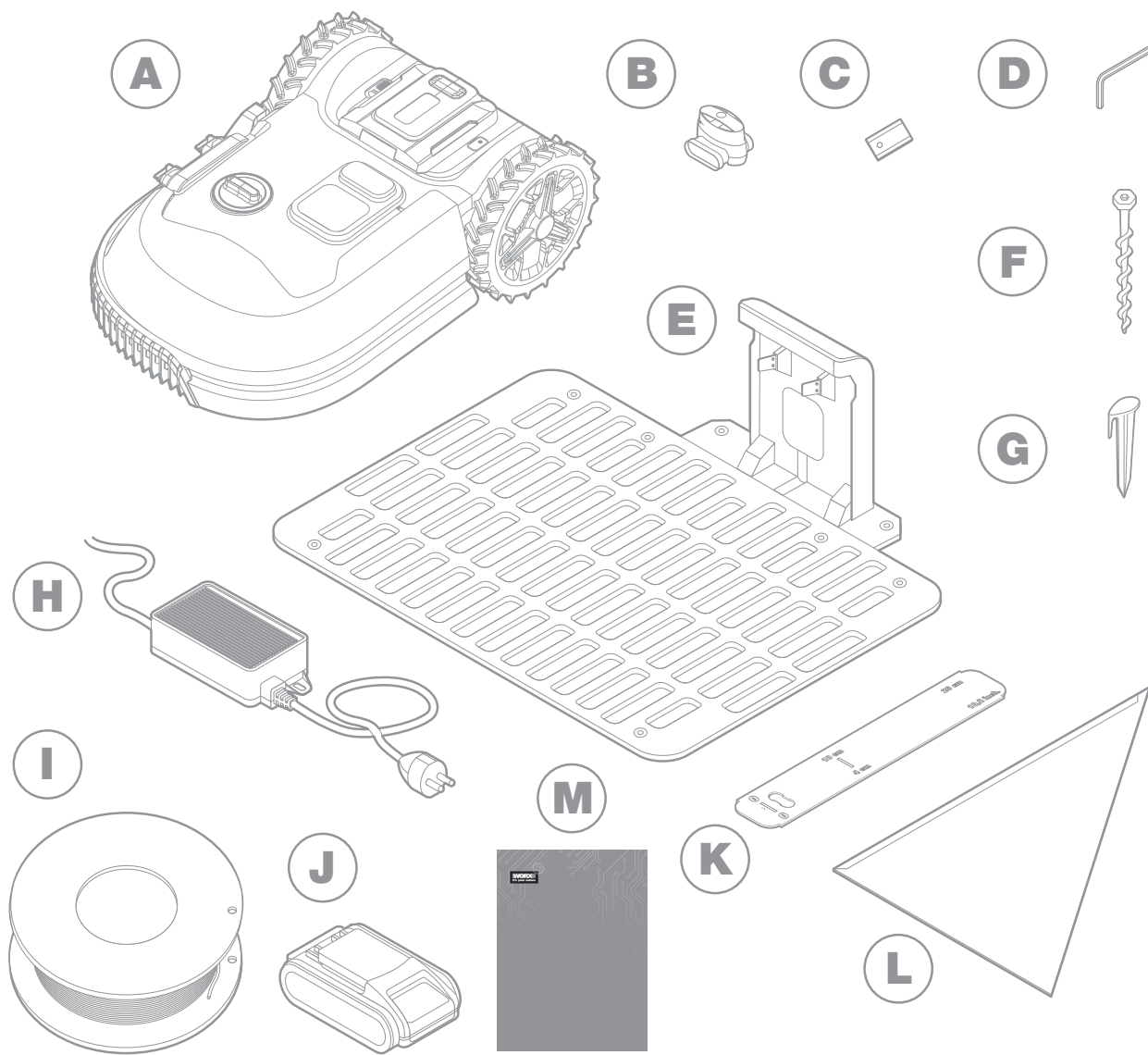
Læs betjeningsvejledningen



Aftagelig forsyningsenhed

Din Landroid kan bruges sammen med andre Worx funktionelle tilbehør. Besøg www.worxlandroid.com at lære mere om disse tilgængelige tilbehørs muligheder.

**KOMPONENTLISTE
HVAD ER DER I KASSEN**



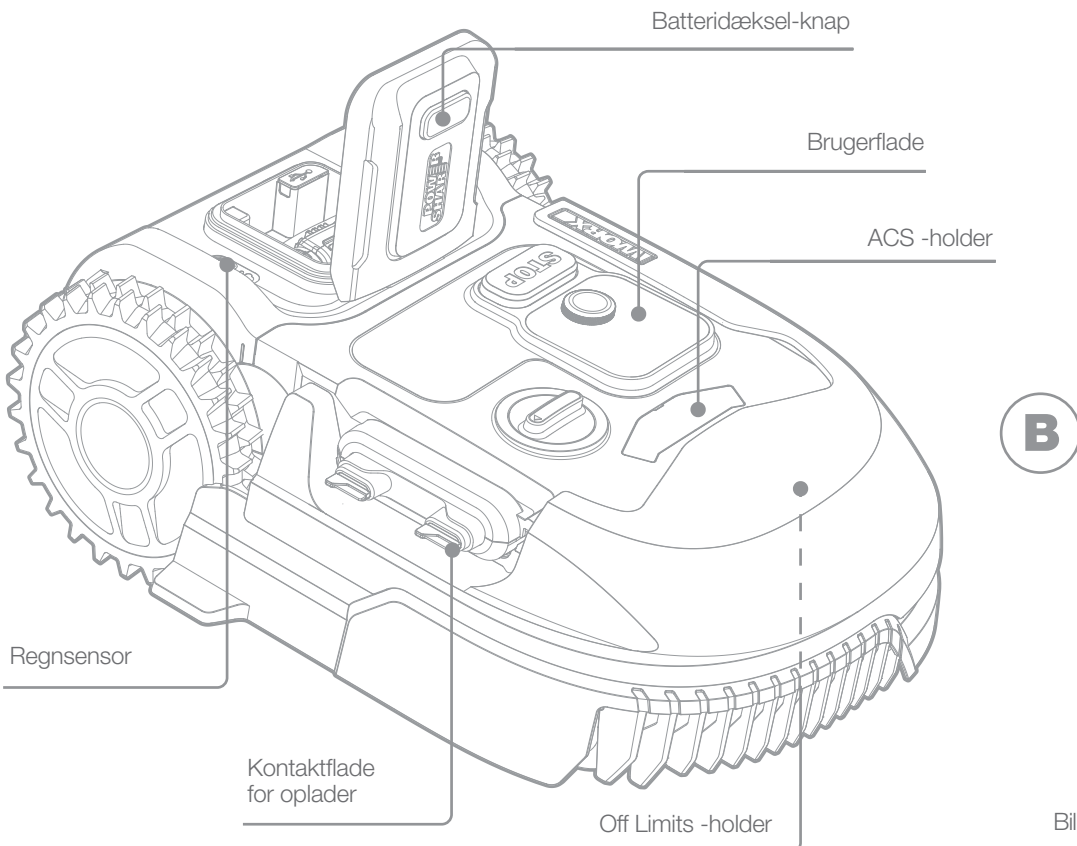
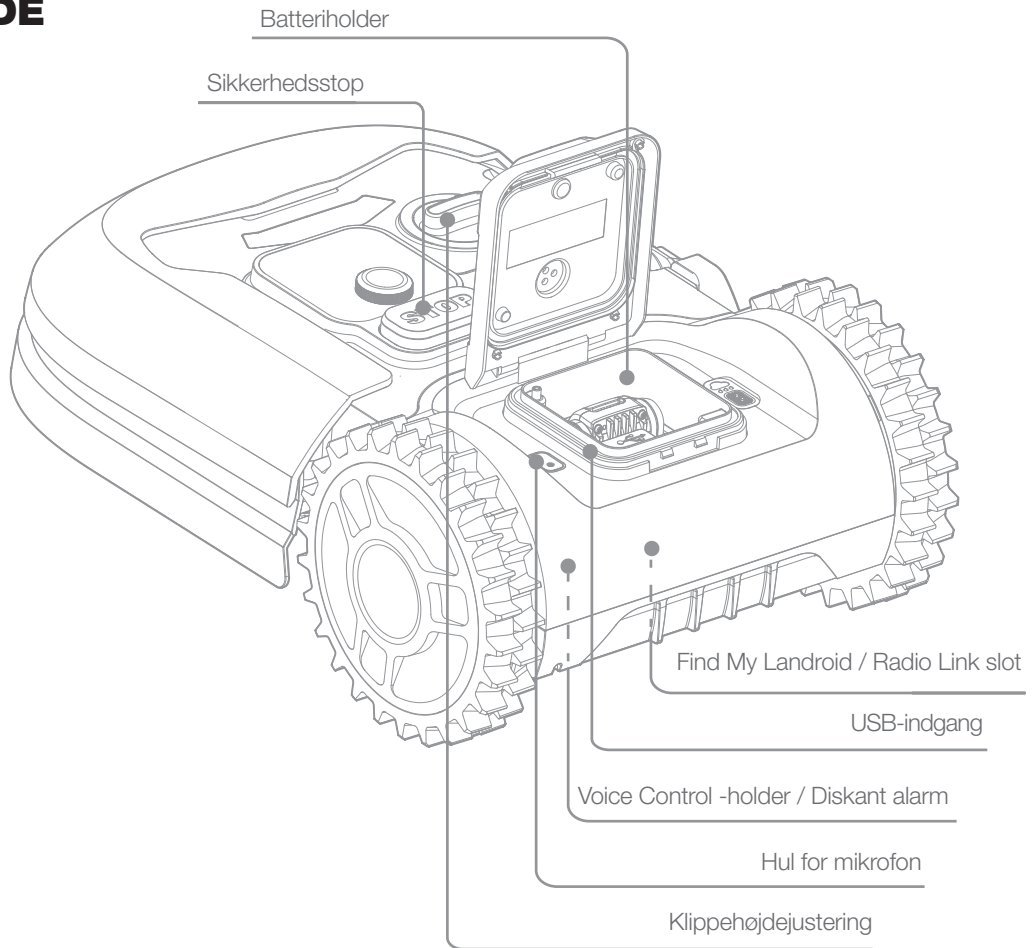
Billedet er kun til reference

A	Worx Landroid
B	Reparationstik til grænsekablet
C	Knivblade reservekit
D	Hex-nøgle
E	Ladestation
F	Opladningsbunke
G	Skruer

H	Pløkker til grænsekabel
I	Strømforsyning
J	Grænsekabel
K	20V Batteri
L	Afstandsmålere til grænsekablet
M	Bertelsen målestok
N	Håndbog

LÆR AT KENDE LANDROID

A



B

Billedet er kun til reference

TEKNISKE DATA

Type **WR165E WR167E WR148E WR147E.1 (100-199 - udpegning af maskiner, repræsentant for GRÆSSLÅMASKINE-ROBOT)**

	WR165E	WR167E	WR148E	WR147E.1
Nominel spænding	20 V Max.*			
Hastighed uden belastning (/min)	2800		2400	
Skæreamråde (m ²)	500	700	800	1000
Skærediameter (cm)	18		20	
Skæredybde (mm)	30-60			
Antal stillinger til klippehøjden	4			
Batteritype	Lithium			
Batterimodel	WA3551.3	WA3553.3	WA3551.3	WA3553.3
Opladningstid ca. (mins)	75	150	75	75
Opladermodel	WA3750.1/ WA3755.1			WA3775 / WA3776
Mærkekapacitet på opladeren	Indgang: 100-240 V~50/60 Hz, 38 W, Udgang: 20V , 1.5 A			Indgang: 100-240 V~50/60 Hz, 90 W, Udgang: 20 V , 3.0 A
Maskinvægt (kg)	9.5	9.8	11.7	12
Isolationsklasse	III			
App (Wifi / Bluetooth)	Y			
Frekvensbånd af indlejret WLAN-modul	2.412GHz-2.484GHz			
Maks. radiofrekvens effekt af indlejret WLAN modul	802.11b:+16±2dBm(@11Mbps) 802.11g:+14±2dBm(@54Mbps) 802.11n:+13±2dBm(@HT20,MCS7)			
Frekvensbånd af det induktive sløjfesystem	77 Hz			
Maksimal RF-effekt af det induktive sløjfesystem	82 dBµA/m			

* Spændingen er målt uden arbejdsbelastning. Den indledende batterispænding når maksimalt op på 20 volt. Nominel spænding er 18 volt.

STØJINFORMATION

	WR165E	WR167E	WR148E	WR147E.1
A vægtet lydtryksniveau	$L_{pA} = 45.5 \text{ dB(A)}$		$L_{pA} = 40.68 \text{ dB(A)}$	
	$K_{pA} = 0.6 \text{ dB(A)}$		$K_{pA} = 1.36 \text{ dB(A)}$	
A vægtet lydeffektniveau	$L_{wA} = 65.5 \text{ dB(A)}$		$L_{wA} = 61.56 \text{ dB(A)}$	
	$K_{wA} = 0.6 \text{ dB(A)}$		$K_{wA} = 1.36 \text{ dB(A)}$	
Bær høreværn, når lydtrykket er over 80dB (A).				

En vis støj fra maskinen kan ikke undgås. Støjende arbejde skal man have tilladelse til og begrænses til visse periode. Hold pauser og begræns arbejdstimerne til et minimum. Som personlig beskyttelse og beskyttelse af mennesker i nærheden, skal der bæres passende høreværn.

TILBEHØR

	WR165E	WR167E	WR148E	WR147E.1
Opladestation	9	9	9	9
Fastspændingssøm til opladestationen	1	1	1	1
Grænsekabel	8	8	8	8
Trådpløkker til grænsekabel	130m	150m	150m	180m
Hex-nøgle	180	210	210	250
Afstandsmåler til grænsekablet	1	1	1	1
Knive	2	2	2	2
Ledningssamler	9	9	9	9
Connector	2	2	2	2
Batteripakke (WA3551.3)	1	/	1	/
Batteripakke (WA3553.3)	/	1	/	1
Batterioplader (WA3750.1/ WA3755.1)	1	1	1	/
Batterioplader (WA3775 / WA3776)	/	/	/	1

Det anbefales, at alt udstyr købes i samme butik som maskinen. Se på emballagen til tilbehøret for at få yderligere oplysninger. Få hjælp og råd i butikken.

Beregnet Anvendelse

Dette produkt er beregnet til privat plæneklipning. Den er designet til at slå græs ofte, for at vedligeholde en sundere og bedre udseende plæne end nogensinde før. Afhængig af størrelsen af din plæne, kan Landroid programmeres til at operere på ethvert tidspunkt og på enhver frekvens. Det er ikke beregnet til grave, fejning eller sne rydning.

VEDLIGEHOELSE

Din Landroid arbejder hårdt og skal rengøres og kontrolleres fra tid til anden. Dette afsnit af vores brugervejledning hjælper dig med at holde Landroiden i god form, så den kan holde i mange år uden problemer. Sådant vedligeholder du din Landroid. Sluk for maskinen inden servicering eller vedligeholdelse.

HOLD DEN SKARP

Landroid klipper ikke græs som andre græsslåmaskiner. Dens knivblade er knivskarpe på begge sider og roterer i begge retninger for maksimal klippekapaцитet.

A. Knivbladernes skive roterer vilkårligt med og mod uret for at benytte begge sider af knivbladene og minimere deres udskiftningsfrekvens.

B. Hvert knivblad kan holde op til 2 måneder, når den er programmeret til at klippe hver dag.

C. Kontroller altid om knivbladene er beskadigede og udskift dem, hvis de er.

D. Når knivbladene er sløve og slidte, skal de udskiftes med de ekstra knivblade, der fulgte med, da du købte din Landroid. Nye knivblade er også tilgængelige hos din nærmeste Landroid-forhandler.

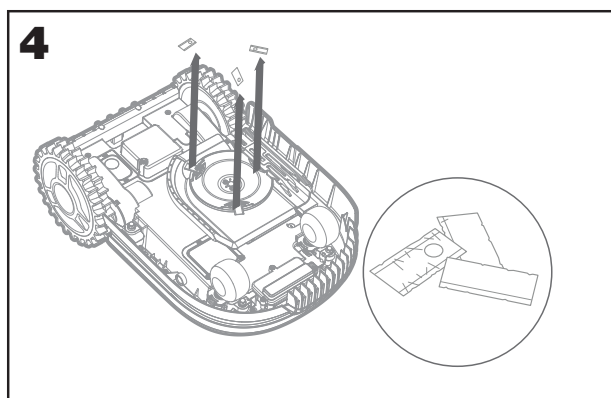
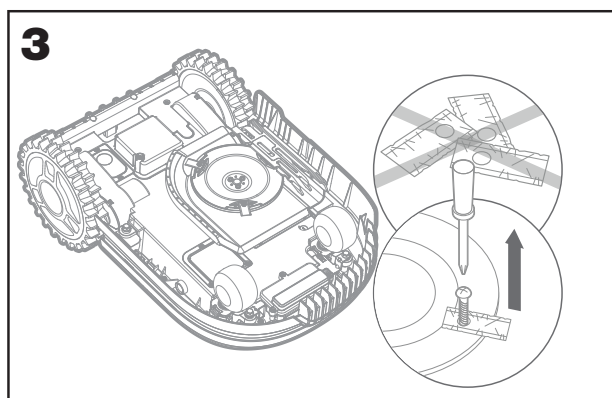
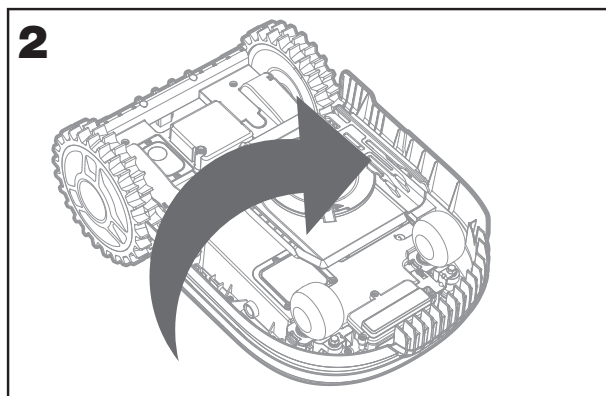
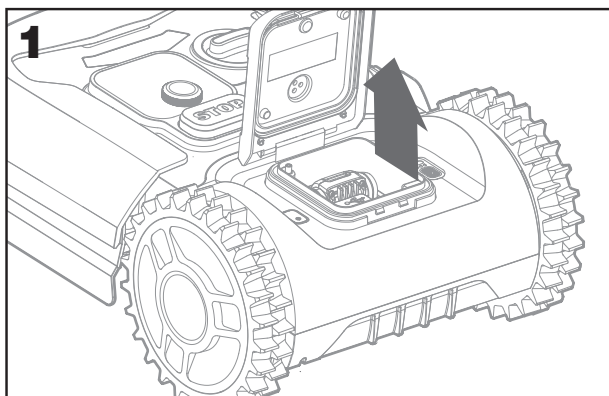
⚠ ADVARSEL! Inden rengøring, justering eller udskiftning af knivbladene skal du SLUKKE for din Landroid og fjerne batteriet. Brug altid beskyttelseshandsker.

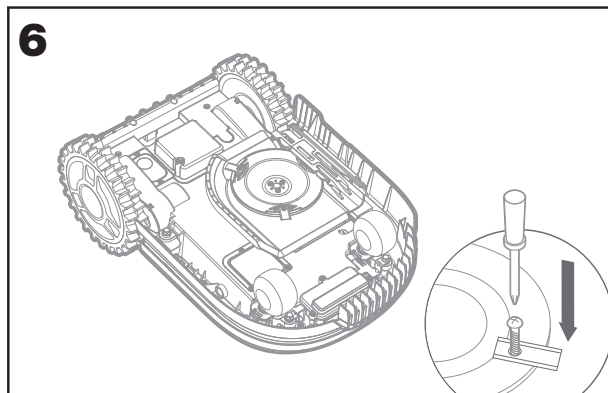
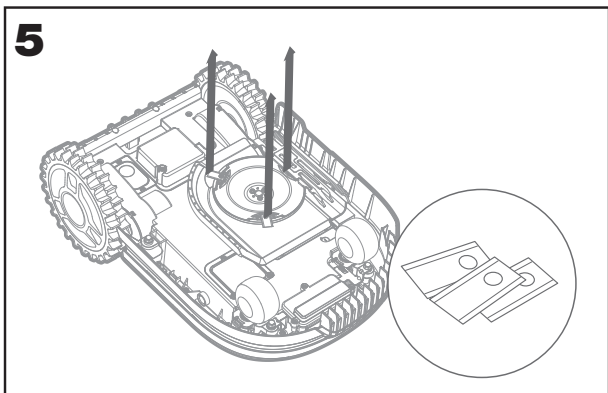
1. Udskiftning af knivbladene

Fjern batteriet (fig. 1) og vend forsigtigt Landroiden på hoved (fig. 2)

Fjern knivbladernes skruer med en skruetrækker (fig. 3 - 4)

Skrue de nye knivblade godt fast (fig. 5 - 6)



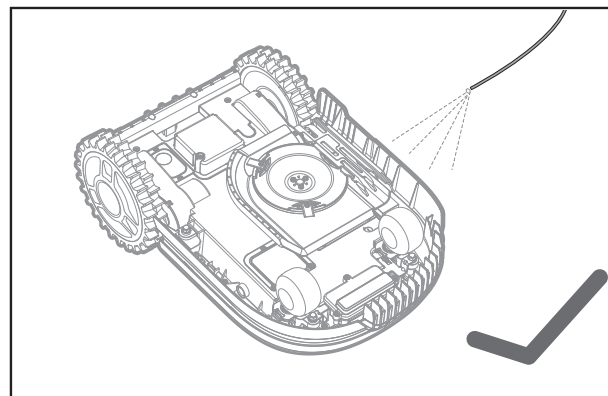
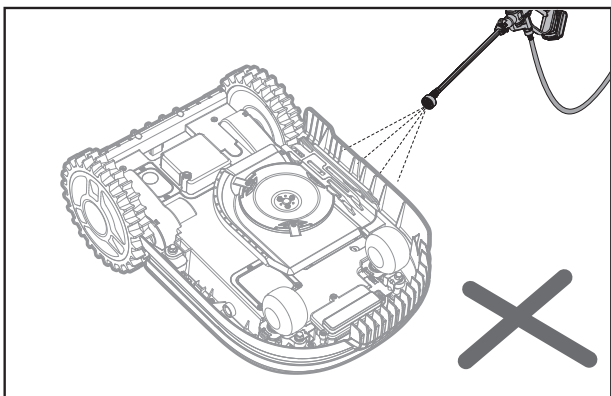


⚠ OBS: Ved montering af nye knivblade, skal du sørge for at udskifte ALLE knivbladene. Brug altid nye skruer, når der monteres knivblade. Dette er vigtigt for at sikre fastholdelsen af knivbladene samt afbalancere knivbladene drejeskive. Manglende anvendelse af nye skruer kan medføre alvorlig personskade. Vigtigt: Når du har skruet knivbladene på drejeskiven, skal du sørge for, at de kan rotere frit.

HOLD DEN REN

Din Landroid skal rengøres regelmæssigt. Det hjælper med at holde Landroiden i god stand, når snavs, skidt og ophobning af græs fra daglige græs slåninger fjernes. Sluk Landroiden inden du gør rengør den. Som ekstra sikkerhed, fjern batteriet.

⚠ Bemærk: Ved rengøring af Landroid skal du sørge for, at batteridækslet er lukket.
⚠ ADVARSEL! DIN Landroid kan kun rengøres med en slange! Brug IKKE en højtryksrenser på Landroid. Vand med højt tryk kan komme ind i det indre af tætningen og beskadige elektroniske og mekaniske dele.



1. Rengøring af overdelen

- A. Rengør med en sprayflaske fyldt med vand. Brug ikke opløsnings- eller polermidler
- B. Brug en børste eller en ren klud til at fjerne ophobet snavs

2. Rengøring af underdelen

- A. Vend Landroiden på hovedet
- B. Fjern snavs og græsrester med en børste
- C. Pas på ikke at røre knivbladene med dine hænder. Brug beskyttelseshandsker
- D. Rengør drejeskiven, chassiset og forhjulet(ene) grundigt med en blød børste eller fugtig klud
- E. Roter drejeskiven for at sikre, at den roterer frit. Fjern eventuelle forhindringer. Fjern alt fastklemmt materiale, så det ikke skaber revner i drejeskiven. Selv de mindste revner påvirker robotplæneklipperens præstation
- F. Kontroller, at knivbladene drejer frit omkring fastgørelsesskruerne. Fjern eventuelle forhindringer

3. Rengøring af drivhjulene

- A. Fjern mudder fra hjulene med børste, for at sikre et godt vejgreb.

4. Rydning af opladningskontakterne

- A. Rengør ladekontakterne på ladestationen og ladepolerne på Landroiden med en klud.
- B. Fjern regelmæssigt enhver ophobning af græsrester eller snavs omkring ladekontakterne og ladepolerne, for at sikre korrekt opladning af Landroiden hver gang.

HOLD DEN OPLADT

Landroidens hjerte er dets 20V Worx Powershare Li-Ion batteri.

- A. For korrekt opbevaring af batteriet, skal du sørge for, at det er fuldt opladt og opbevares på et køligt og tørt sted
- B. Landroidens anbefalede driftstemperatur er mellem 0-55°C
- C. Brugslevetiden for Landroidens batteri afhænger af samlede driftstimer og brugstid pr. dag under græsslåningssæsonen

1. Landroid kan oplades manuelt uden grænsekablet

- A. Tilslut ladestationen til en passende strømforsyning. Det grønne lys på ladestationen tændes.
- B. Dock manuelt Landroid i ladestationen, mens Landroiden er slukket.
- C. Det grønne lys på ladestationen blinker, og Landroiden vil begynde at oplade.

HOLD DEN OPBEVARET OM VINTEREN

Selvom Landroiden er designet og bygget til at overleve de mest barske vejrforhold, anbefaler vi, at du opbevarer den i dit skur eller garage om vinteren. Forberedelse til vinterdvale:

- A. Rengør den grundigt
- B. Lad batteriet helt op
- C. Sluk for strømmen

1. Forberedelse til opstart om foråret

Når det er på tide at forberede Landroiden til den nye sæson, skal du udføre følgende kontrol:

- A. Opdater tids- og datoindstillinger via appen
- B. Hvis du ser tegn på oxidering af Landroidens opladningskontakter, skal du rense dem med finkornet smergellærred
- C. Oplad Landroidens batteri helt inden brug

HOLD DEN OPDATERET

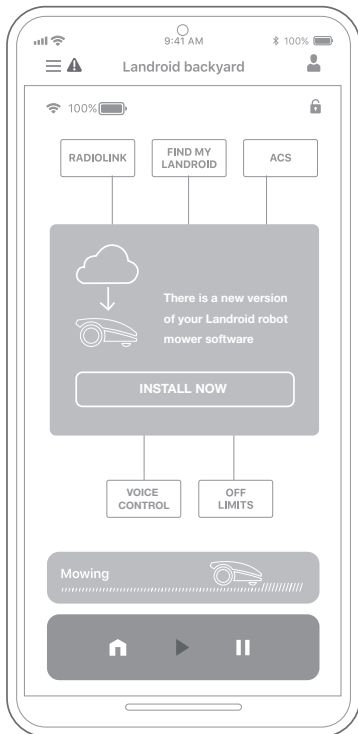
Landroiden forbedres altid, og nye softwareversioner stilles til rådighed gratis. Sørg altid for, at holde Landroidens software opdateret, for at få mest muligt ud af din maskine.

1. Over-the-air-opdateringer (OTA)

Hvis din Landroid er forbundet til dit Wi-Fi-netværk, vil du blive underrettet om, at ny software er tilgængelig via appen. Efter godkendelse, vil opdateringen foretages automatisk over-the-air.

2. Kontroller, hvilken softwareversion du har.

Softwareversionsnummeret kan ses, når Landroid er tændt.



3. Manuel opdatering

- A. Hvis din Landroid ikke er forbundet til dit Wi-Fi-netværk, kan du stadig opdatere den til den nyeste softwareversion med et USB-

stik

- B. Besøg regelmæssigt Worx' Landroid-webside for at kontrollere, om en ny version er tilgængelig. Hvis du er tilmeldt Landroids e-mailliste, får du besked, når en ny version er tilgængelig.
- C. Download den nyeste softwareversion fra vores webside.
- D. Tag et tomt USB-stik, formateret til FAT32
- E. Gem zip-filen og udpak indholdet på dit USB-stik.
- F. Placer Landroiden på et sikkert og jævnt underlag.
- G. Sluk for Landroid.
- H. Find USB-porten bagerst på Landroiden.
- I. Sæt USB-stikket i porten.
- J. Placer Landroiden på græsplænen igen, inden for grænsekablets afgrænsning.
- K. Tænd Landroiden
- L. Når 'USB' vises på displayet, skal du, uden at løfte Landroiden, fjerne USB-stikket
- M. Opdateringen starter automatisk og kan tage et stykke tid. Landroiden genstarter automatisk efter opdateringen er gennemført.

BEMÆRKNING: Sørg for, at Landroiden er inden for grænsekablet, når du genstarter Landroiden.

BETJENINGSMEDDELELSER

BESKED LANDROID HAN- DLING	BESKED LANDROID HANDLING
Klippe græs	Klipning af græs i henhold til klippeplanen.
Regner	Regnsensoren registrerer vand. Landroid vender tilbage til Opladningsstation og forbliver i denne position, indtil den er programmeret. Efter tørring starter Landroid automatisk nedtællingen af regnforsinkelsen og vender derefter tilbage til klippetilstanden. Hvis du vil klippe Landroid inden da, skal du bare slukke for den og tænde den igen, men kun når regnsensoren er tør, eller hvis du helt kan eliminere regnforsinkelse ved at indstille regnforsinkelsestiden til nul.
Kom hjem igen	Skal oplades - skærebladet stopper på vej til basen
Opladning	Vis "Opladning" og procentdelen af opladning.
Ingen arbejdstid	Standby, skal programmeres efter behov.
arbejder ikke i dag	Standby, starter i henhold til klippeplanen.
Arbejdet udført i dag	
Områdesøgning	I henhold til indstillingen af "Custom Workspace" søger Landroid
Færdig opladning	Landroid har afsluttet sin opladning.
Nødopladning	Nødopladning Landroid oplades i slukket tilstand.

F FEJLMEDDELELSER

Nogle gange går ting galt. Heldigvis er Landroiden smart nok til at fortælle dig, hvis den støder på et problem, så du kan udbedre det. Hvis du er i tvivl, kan du besøge vores webside, hvor du finder nyttige videoer og yderligere support.

MEDDELELSE	ÅRSAG	HANDLING
	Poklopac baterije nije zatvoren	Zatvorite poklopac baterije

Udenfor arbejdsområdet! Tryk på "START" for at nulstille.	Landroiden kan ikke finde signalet fra grænsekablet.	1. Hvis Landroid er kørt uden for sit arbejdsområde: Sluk for strømmen, bring Landroiden tilbage ind i arbejdsområdet, tænd for strømmen og tryk på start. 2. Hvis Landroid er inden for dets arbejdsområde, skal du kontrollere, om LED'en på ladestationen konstant lyser grønt. Lyser det rødt, skal du kontrollere, om grænsekablet er korrekt forbundet til ladestationen og at den er tilsluttet en passende strømforsyning. Hvis den er korrekt tilsluttet, er grænsekablets ender forbundet omvendt og skal byttes om.
FEJL PIN! Prøv igen.	Forkert pinkode.	Indtast korrekt pinkode eller nulstil din pinkode.
Klinge motorfejl! Tryk på "START" for at nulstille.	Drejeskiven blokeres af et fremmedlegeme, fx en gren.	Sluk for strømmen. Vend Landroiden på hovedet og kontroller, om der er noget der forhindrer drejeskiven i at rotere. Fjern eventuelle forhindringer. Vend Landroiden rigtigt. Tænd for strømmen. Tryk start.
	Knivbladene er overbelastet af tæt og tykt græs.	Sluk for strømmen. Bring Landroiden til et område med kort græs eller tilpas klippehøjden til en højere indstilling. Tænd for strømmen. Tryk start.
Hjul motorfejl! Tryk på "START" for at nulstille.	Hjulmotoren er blokeret på en eller anden måde.	Sluk for strømmen og bring Landroiden til et område uden forhindringer. Tænd for strømmen. Tryk start. Hvis fejlmeddelelsen stadig vises, skal du slukke for strømmen. Vend Landroid på hovedet og kontroller om der er noget, der forhindrer hjulene i at rotere. Fjern eventuelle forhindringer, vend Landroiden rigtigt, tænd for strømmen.
På hovedet! Tryk på "START" for at nulstille.	Dette kan forekomme, hvis Landroiden kører på en skrånende overflade, der får den til at vælte.	Vend Landroiden rigtigt og fjern enhver forhindring, der kunne have væltet Landroiden.
Plæneklipperen sidder fast! Tryk på "START" for at nulstille.	Landroiden er spærret inde.	Sluk for strømmen. Bring Landroiden til et område af dit græsplæne uden forhindringer, og tænd derefter for strømmen. Tryk start. Hvis fejlmeddelelsen stadig vises: Sluk for strømmen, vend Landroiden på hoved. Kontroller om der er noget, der forhindrer hjulene i at rotere. Fjern eventuelle forhindringer, vend Landroiden rigtigt, tænd for strømmen.
Plæneklipperen løftet! Tryk på "START" for at nulstille.	Landroid er løftet op.	Sluk for strømmen. Bring Landroiden til et område uden forhindringer, tænd for strømmen. Tryk start. Hvis fejlmeddelelsen stadig vises: Sluk for strømmen, vend Landroiden på hoved og kontroller, om der er noget, der kunne forårsage, at Landroiden blev løftet op. Fjern ethvert muligt objekt, vend Landroiden rigtigt, tænd for strømmen.
Batterispænding for lav! skift batteri.	Batteri fladt.	I dette tilfælde, skal du slukke Landroiden og placere den i ladestationen. 'Emergency charging' (Nødopladning) vises, og den begynder at lade op. Hvis batterifejlen vedvarer, er batteriet beskadiget og skal udskiftes.
Ledning mangler! Tryk på "START" for at nulstille.	Maskinen kan ikke finde grænsekablets signal.	Hvis LED-indikatoren er rød, skal du kontrollere, om grænselinjen er korrekt forbundet med klemmen på opladningsbunken Hvis problemet vedvarer, skal du kontrollere, om grænsekablet er skåret over.
Overophedet batteri!	Temperaturen er for høj (mere end 55°C) eller for lav (mindre end 0°C) ved opladning.	Placer opladningsbasen i et skyggefuldt område, eller vent, indtil den når den normale temperatur.

Kan ikke finde ladestation! Tryk på "START" for at nulstille.	Grænsekablet er længere end tilladt (300 meter ellers har Landroiden har ikke strøm nok til at kører tilbage til ladestationen).	Bring Landroiden tilbage til ladestationen.
Plæneklipper er låst!	Med Låsefunktion aktiveret, hvis din Landroid ikke modtager et signal fra din Wi-Fi-router i 3 dage, låses den som en sikkerhedsforanstaltning. Dette kan skyldes, at din router er uden strøm eller at du har skiftet din Wi-Fi-router eller netværksudbyder.	Forbind Landroiden til det Wi-Finetværk, som den oprindeligt var parret med. Hvis dette ikke er muligt, kontakt kundeservice.

BEMÆRKNINGER


- Kontroller altid, at Landroiden er inden for sit arbejdsområde, inden du tænder for strømmen. Hvis ikke, vises meddelelsen "Udenfor arbejdsområdet! Tryk på "START" for at nulstille". Denne meddelelse vises også, når Landroiden delvist, men ikke helt er inde i arbejdsområdet.
- Hvis du af en eller anden grund (fx en fest, legende børn), vil parkere din Landroid i ladestationen: tryk på hjem og derefter OK. Landroiden vil køre til sin ladestation og blive der. Bemærk, at Landroiden nu venter til næste planlagte græsslåning. Hvis du på et senere tidspunkt ønsker genstarte den, tryk start og derefter OK.
- Hvis der gentagne gange opstår samme fejl, i samme område af din græsplæne, har du muligvis problemer med grænsekablet. Se venligst installationsvejledningen og kontroller, at din opsætning er korrekt iht. den.
- Hvis din græsplæne er opdelt i to adskilte områder, der er forbundet med en korridor mindre end 1 meter bred, hvoraf den ene ikke er forsynet med nogen ladestation: Når Landroiden løber tør for strøm, skal du manuelt bringe den tilbage til ladestationen.
- Hvis Landroiden en gang imellem kører unormalt, skal du nulstille den, ved at slukke for den og fjerne batteriet i 30 sekunder, og derefter genstarte den. Hvis problemet ikke kan løses, skal du kontakte vores kundeservice for yderligere hjælp.

FEJLFINDING

Hvis din Landroid ikke fungerer korrekt, skal du følge nedenstående fejlfindingsguide. Hvis fejlen vedvarer, kontakt kundeservice.

SYMPTOM	ÅRSAG	LØSNING
Det grønne lys på ladestationen lyser ikke.	Der er ingen strøm.	Kontrollér, at ladestationen er tilsluttet opladeren korrekt, og at opladeren er tilsluttet en passende strømforsyning.
Rødt lys på ladestationen.	Grænsekablet er ikke tilsluttet.	Kontroller, at grænsekablet er korrekt forbundet til ladestationen. Tjek, at grænsekablet ikke er brudt.
Landroiden tændes, men drejeskiven roterer ikke.	Landroiden leder efter ladestationen.	Dette er normalt: Når Landroiden skal genoplades, søger den automatisk efter ladestationen, mens drejeskiven holdes i ro.
Landroiden vibrerer.	Drejeskiven er ikke i balanceret.	Kontroller knivbladene og udskift dem, hvis de er beskadigede. Fjern snavs og fremmedlegemer fra knivbladene og drejeskiven.
Græsset bliver ikke klippet ensartet.	Landroiden opererer ikke nok timer om dagen, til at klippe græsset.	Prøv at tilføje flere timer til græsslåningstidsplanen.
	Klippeområdet er for stort i forhold Landroidens størrelse.	Prøv at reducere klippeområdet eller øge arbejdstiden
	Knivbladene er sløve og ikke skarpe.	Skift alle knivblade og skrue for at afbalancere drejeskiven.
	Klippehøjden er sat for lavt i forhold til græssets længde.	Hæv klippehøjden og sænk den gradvist.
	Græs eller et andet objekt er viklet rundt om drejeskiven.	Kontroller drejeskiven og fjern græs eller andre objekter, som forhindrer den i at rotere.
	Der er ophobning af græs på drejeskiven eller i undervognen.	Sørg for, at drejeskiven roterer frit. Hvis det er nødvendigt, kan du tage drejeskiven ud og derefter fjerne snavs.

Din Landroid er inden for sit arbejdsområde og grænsekablet er forbundet, men der vises '- E1 -' på displayet.	Grænsekablets ender er tilsluttet forkert.	Isæt grænsekablets ender korrekt i ladestationen
Opladningstiden er meget længere end den nominelle opladningstid.	Dårlig forbindelse, forårsaget af snavs på ladepolerne.	Rengør ladekontakterne på ladestationen og ladepolerne på Landroiden med en klud.
	Foranstaltning til opladningsfejl aktiveres på grund af høj temperatur.	Anbring ladestationen i skygge eller vent indtil den er afkølet.
Plæneklipperen oplader ikke.	Der er ingen strøm.	Kontrollér, at netledningen er tilsluttet korrekt til opladeren, og at opladeren er tilsluttet en passende strømforsyning. Sørg for, at begge ladepoler på plæneklipperen rører midten af ladekontakterne på ladestationen.
Landroiden er begyndt at have en kortere driftstid mellem opladninger.	Der er noget som forhindrer drejeskiven i at rotere frit, hvilket skaber friktion og øget strømforbrug.	Tag drejeskiven ud og rengør den. Måske er græsset for højt og tykt.
	Landroid ryster voldsomt, fordi drejeskiven ikke er i balanceret.	Kontroller drejeskiven og knivbladene, fjern snavs og fremmedlegemer fra knivbladene og drejeskiven. Udskift knivbladene med et nyt sæt.
	Batteriet kan være udtømt eller gammelt.	Udskift batteriet.
	Arbejdstiden er gået	nulstil arbejdstiden
Landroiden starter ikke på det rigtige tidspunkt.	Uret er ikke indstillet til den korrekte tid.	Indstil uret til den korrekte tid.
	Forudprogrammerede klippetider for Landroiden er ukorrekte.	Ret tidsindstillingerne for, hvornår plæneklipperen starter og stopper.
	Procentdelen af ugentlig køretid, der er indstillet af APP har ændret.	Indstil den rigtige procentdel gennem APP.
Landroiden kan ikke docke korrekt med ladestationen.	Miljøpåvirkninger.	Genstart Landroiden.
	Dårlig forbindelse, forårsaget af snavs på ladepolerne.	Rengør ladekontakterne på ladestationen og ladepolerne på Landroiden med en klud.
Det grønne lys på ladestationen tænder, før opladningen er færdig.	opladningsbasen overophedes eller overkøles	Placer opladningsbasen i et skyggefuldt område, eller vent, indtil den når den normale temperatur
Landroidens hjul spinder rundt eller mister vejgrebet gentagne gange.	Fremmedlegemer, såsom kviste og grene sidder muligvis fast under Landroiden.	Fjern fremmedlegemer fra undersiden af Landroiden.
	Græsplænen er for våd.	Vent til græsplænen er tør.

<p>Landroiden kører uden for grænsekablet.</p> <p>Landroiden klipper ikke et område inden for en grænsekabel-zone.</p> <p>Landroiden bakker eller roterer uregelmæssigt i nærheden af grænsekablet.</p>	<p>Grænsekablet fra en anden Landroid eller robotplæneklipper er placeret for tæt på.</p>	<p>Sørg for, at mindst 1 meter afstand mellem dit grænsekabel og naboens.</p>
	<p>Hvis grænsekablet er forbundet eller repareret forkert, kan grænsekablets elektriske signal lække under våde forhold.</p>	<p>Kontroller grænsekablets samlinger. Isolér for at sikre en helt vandtæt forbindelse.</p>
	<p>Der er en lækage af grænsekablets elektriske signal på grund af brudt isolering.</p>	<p>Reparer det beskadigede grænsekabel med de medfølgende reparationsstik.</p>
<p>Landroiden glider udenfor sit arbejdsområde, mens den kører ned ad en bakke.</p>	<p>Landroidens drivhjul har dårligt vejgreb.</p>	<p>Kontroller, at hjulene er rene og fri for mudder for at få bedst muligt vejgreb.</p>
<p>Landroidens operative system crasher under opladning eller på standby.</p>	<p>Software- eller displayfejl.</p>	<p>Genstart Landroiden.</p>
<p>Landroiden lukker ned, når den doker ladestationen.</p>	<p>Landroiden oplader ikke på grund af overtemperaturbeskyttelse og slukkes.</p>	<p>Anbring ladestationen i skygge eller vent indtil den er afkølet.</p>
	<p>Dårlig forbindelse.</p>	<p>Kontroller LED-indikatoren på ladestationen Kontroller forbindelsen mellem ladecontakterne på ladestationen og ladepolerne.</p>
<p>Landroiden stopper i arbejdsområdet.</p>	<p>Der er en forhindring i arbejdsområdet.</p>	<p>Fjern forhindringen fra Landroidens arbejdsområde.</p>
	<p>Klippehøjden er sat for lav i forhold til græssets længde, eller græsset er for tæt.</p>	<p>Hæv klippehøjden og sænk den gradvist.</p>
	<p>Grænsekablet må ikke være længere end 350 meter, ellers kan der opstå signalproblemer.</p>	<p>Reducer længden af grænsekablet.</p>
	<p>Afstanden mellem græsplænen midte og grænsekablet må ikke overstige 25 meter, eller der kan opstå signalsvækkelse.</p>	<p>Reducer afstanden mellem midten af græsplænen og grænsekablet til under 25 meter.</p>
<p>Landroid vælter.</p>	<p>Der er en skråstående forhindring på græsplænen.</p>	<p>Ekskluder forhindringen fra Landroidens arbejdsområde.</p>
<p>Landroiden kan ikke oprette forbindelse til internettet.</p>	<p>Kontroller, at din router har de korrekte indstillinger.</p>	<p>Sørg for, at din router er 2,4 GHz. Hvis din router har to indstillinger, skal du aktivere 2,4 GHz-båndet. Sørg for, at din router er indstillet til 802.11-tilstand, og den trådløse indstilling er b/g/n-blandet. Sørg for, at din router har SSID Broadcast-funktionen aktiveret, når du tilslutter maskinen med appen. Du kan lukke den, når du har oprettet forbindelsen. Sørg for, at DHCP-funktionen er aktiveret. Hvis du har skiftet Wi-Fi-netværk, skal du forbinde Landroiden til det nye netværk. Hvis du har en "Fritz! Box" -router, skal du sørge for at aktivere "Tillad kommunikation mellem enheder i samme netværk" under Indstillinger.</p>
	<p>Kontroller, om routeren er frakoblet, eller om WIFI SSID er blevet ændret</p>	<p>Sørg for, at routeren er tilsluttet, og at WIFI SSID er korrekt</p>
<p>Når du justerer "Måned / time / minut", bipper din Landroid,</p>	<p>dette er normalt</p>	<p>Mod uret  Foretag justeringer.</p>

MILJØBESKYTTELSE



Affald af elektriske produkter må ikke bortskaffes sammen med husholdningsaffald. Indlever så vidt muligt produktet til genbrug. Kontakt de lokale myndigheder eller forhandleren, hvis du er i tvivl.

KONFORMITETSERKLÆRING

Vi,
Positec Germany GmbH
Grüner Weg 10, 50825 Cologne, Germany

På vegne af Positec erklæres at produktet
Beskrivelse **GRÆSSLÅMASKINE-ROBOT**
Type **WR165E WR167E WR148E WR147E.1(100-199 - udpegning af maskiner, repræsentant for GRÆSSLÅMASKINE-ROBOT) (Serienummeret er placeret på bagsiden) med batterilader WA3775 / WA3776/ WA3750.1/ WA3755.1 og opladningsbasis WA4002.1**
Funktion **Græsklipning**

Er i overensstemmelse med følgende direktiver,
2006/42/EC, 2014/30/EU, 2014/35/EU, 2011/65/EU&(EU)2015/863, 2000/14/EC ændret ved 2005/88/EC, 2014/53/EU

WR165E WR167E

2000/14/EC ændret ved 2005/88/EC
- Konformitetstestprocedure pr.
- Målt niveau for lydeffekt
- Deklareret garanteret niveau for lydeffekt

Anneks V
65.5 dB (A)
67 dB (A)

WR148E WR147E.1

2000/14/EC ændret ved 2005/88/EC
- Konformitetstestprocedure pr.
- Målt niveau for lydeffekt
- Deklareret garanteret niveau for lydeffekt

Anneks V
61.56 dB (A)
63 dB (A)

Afprøvningsorgan involveret
Navn: Intertek, Semko AB (Afprøvningsorgan 0413)
Adresse: Torshamnsgatan 43164 22 Kista Sweden
Certificeringsnummer.: 201002326SHA-V1

Standarder i overensstemmelse med,
EN 60335-1:2012+A11+A13+A14+A2:2019, EN 50636-2-107:2015+A1+A2:2020, EN 60335-2-29:2004+A2+A11:2018, EN 62233:2008, EN 55014-1:2017+A11:2020, EN 55014-2:2015, EN IEC 61000-3-2:2019, EN 61000-3-3:2013+A1:2019, EN ISO 3744:2005, EN 300 328 V2.2.2, EN 301 489-1 V2.2.3, EN 301 489-17 V3.2.4, EN IEC 62311:2020, EN 61558-1:2005+A1:2009, EN 61558-2-16:2009+A1:2013, EN 55011:2016+A11:2020, EN 303 447 V1.1.1 EN 55032:2015+A11:2020, EN 55035:2017+A11:2020

Personen, autoriseret til at udarbejde den tekniske fil,

Navn Marcel Filz

Adresse Positec Germany GmbH, Grüner Weg 10, 50825 Cologne, Germany



2020/06/16
Allen Ding
Vicechef; Ingeniør, Test & Certificering
Positec Technology (China) Co., Ltd
18, Dongwang Road, Suzhou Industrial
Park, Jiangsu 215123, P. R. China

TUOTETURVALLISUUS YLEISET OHJEET JA TURVAOHJEET

⚠VAROITUS: Lue kaikki turvavaroitukset ja ohjeet. *Varoitusten ja ohjeiden noudattamatta jättäminen voi johtaa sähköiskuun, tulipaloon ja/tai vakavaan vammaan.*

Lue ohjeet huolellisesti koneen käyttämiseksi turvallisesti.

Säilytä kaikki varoitukset ja ohjeet tulevaa käyttöä varten.

- Tätä laitetta ei ole tarkoitettu sellaisten henkilöiden (mukaan lukien lapset) käytettäväksi, joilla on rajoittunut fyysinen, aistillinen tai henkinen kapasiteetti tai jolla ei ole kokemusta ja tietoa, ellei heidän turvallisuudestaan vastuussa oleva henkilö valvo tai opasta heitä laitteen käytössä.

- Lapsia on valvottava, jotta varmistetaan, etteivät he leiki laitteella.

- Laitetta saa käyttää vain laitteen mukana toimitun virransyöttölaitteen kanssa.

- Tämän laitteen akun saa vaihtaa vain ammattitaitoinen henkilökunta.

VAROITUS: Käytä akun lataamiseen vain laitteen mukana toimitettua irrotettavaa virtalähdettä.

VAROITAVA: Jos haluat pienentää loukkaantumisen vaaraa ja vahingoittaa laitetta, Älä poista akkua ennen koneen sammuttamista.

TÄRKEÄÄ

LUE HUOLELLISESTI ENNEN KÄYTTÖÄ

SÄILYTÄ MYÖHEMPÄÄ KÄYTTÖÄ VARTEN

Turvalliset käyttökäytännöt

Harjoittelu

- Lue nämä ohjeet huolellisesti. Varmista, että ymmärrät ohjeet, tunnet ohjaimet ja osaat käyttää laitetta oikein.
- Älä koskaan anna näitä ohjeita tuntemattomien henkilöiden tai lasten käyttää tätä laitetta. Paikalliset säädökset voivat rajoittaa laitteen käyttäjän ikää.
- Käyttäjä on vastuussa ihmisille tai omaisuudelle koituvista onnettomuuksista tai vaaroista.

Valmistelu

- Varmista, että kehäjohton asennus on ohjeiden mukainen.
- Tarkista säännöllisesti, että alueella, jolla laitetta käytetään, ei ole kiviä, keppejä, johtoja, luita tai muita vieraita esineitä.
- Tarkista säännöllisesti silmämääräisesti, etteivät terät, terän pultit ja leikkauskokoonpano ole kuluneet tai vahingoittuneet. Vaihda kuluneet tai vahingoittuneet terät ja pultit sarjoina tasapainon säilyttämiseksi.
- Ole varovainen käyttäessäsi monikaraisia laitteita, sillä yhden terän pyöriminen voi aiheuttaa muiden terien pyörimisen.
- VAROITUS!** Ruohonleikkuria ei saa käyttää, jos suojus ei ole paikallaan.

Käyttö

1. Yleistä

- Älä koskaan käytä laitetta, jos sen suojuukset ovat viallisia tai jos turvalaitteet, kuten ohjaimet, eivät ole paikoillaan.
- Älä vie käsiä tai jalkoja lähelle pyöriviä osia tai niiden alle. Pidä aina poistoaukot esteettöminä.
- Älä koskaan nosta tai kannaa laitetta moottorin ollessa käynnissä.
- Ota käytön estolaite käyttöön laitteesta
 - Ennen esteen poistamista,
 - Ennen laitteen tarkistusta, puhdistusta tai korjaamista.
- Robottiruohonleikkurin alkuperäisen toiminnallisuuden mukauttaminen on kiellettyä. Kaikki mukautukset ovat omalla vastuullasi.
- Käynnistä robottiruohonleikkuri ohjeiden mukaisesti. Kun virta on kytketty päälle, varmista, että pidät kätesi ja jalkasi loitolla pyörivistä teristä. Älä koskaan vie käsiä tai jalkoja ruohonleikkurin alle.

- g) Älä koskaan nosta robottiruohonleikkuria tai kannaa sitä, kun virta on kytketty päälle.
- h) Älä anna henkilöiden, jotka eivät tiedä kuinka robottiruohonleikkuri toimii ja käyttäytyy, käyttää sitä.
- i) Älä aseta mitään robottiruohonleikkurin tai sen latausaseman päälle.
- j) Älä käytä robottiruohonleikkuria, jos sen terät tai runko on vioittunut. Laitetta ei saa käyttää, jos sen terät, ruuvit, mutterit tai kaapelit ovat vahingoittuneet.
- k) Sammuta robottiruohonleikkuri aina, kun sitä ei käytetä. Robottiruohonleikkurin voi käynnistää vain, kun virta on kytketty päälle ja oikea PIN-koodi on annettu.
- l) Pidä kätesi ja jalkasi kaukana pyörivistä teristä. Älä koskaan laita käsiäsi tai jalkojasi lähelle runkoa tai sen alle, kun robottiruohonleikkuri on toiminnassa.
- m) Vältä laitteen ja sen oheislaitteiden käyttämistä huonoissa sääolosuhteissa, ja erityisesti, kun on salamoinnin riski.
- n) Älä koske liikkuviin, vaarallisiin osiin ennen kuin ne ovat täysin pysähtyneet.
- o) Julkisilla alueilla käytettäville koneille varoitusmerkit on sijoitettava koneen työskentelyalueen ympärille. Niissä on oltava seuraavan tekstin sisältö:
Varoitus! Automaattinen ruohonleikkuri! Pysy pois koneen läheltä! Valvolapsia!

2. Lisäksi, kun laitetta käytetään automaattisesti

- a) Älä jätä konetta käymään ilman valvontaa, jos lähistöllä on lemmikkieläimiä, lapsia tai muita henkilöitä.

Kunnossapito ja säilytys

VAROITUS! Kun ruohonleikkuri on ylösalaisin, sen tulee aina olla sammutettuna. Virran tulee aina olla sammutettuna, kun ruohonleikkurille suoritetaan huoltotoimia alapäin, kuten puhdistus tai terien vaihto.

- a) Pidä kaikki mutterit, pultit ja ruuvit tiukalla varmistaaksesi, että laite on turvallisessa käyttökunnossa.
- b) Tarkista robottiruohonleikkuri joka viikko ja vaihda kuluneet tai vahingoittuneet osat turvallisuuden varmistamiseksi.
- c) Tarkista erityisesti, etteivät terät ja terälevyt ole vahingoittuneet. Vaihda kaikki terät ja ruuvit tarpeen mukaan samanaikaisesti, jotta pyörivät osat pysyvät tasapainossa.
- d) Varmista, että käytät vain oikean tyyppisiä vaihtoteriä.
- e) Varmista, että akut on ladattu käyttämällä oikeaa valmistajan suosittelemaa laturia. Väärä käyttö voi johtaa sähköiskuun, ylikuumenemiseen tai syövyttävän hapon vuotamiseen akusta.
- f) Jos joudut kosketuksiin elektrolyyttivuodon kanssa, huuhtelee kohta vedellä/neutralointiaineella ja hakeudu lääkäriin, jos sitä joutuu silmiin jne.
- g) Laitteen huolto tulee tehdä valmistajan ohjeiden mukaisesti.

Suositus

Liitä laite ja/tai sen oheislaitteet vain vikavirtasuojattuun virtapiiriin, jonka laukaisuvirta on korkeintaan 30 mA.

Muut riskit

Vaihtaessasi teriä käytä suojakäsineitä loukkaantumisen välttämiseksi.

Kuljetus

Kun robottiruohonleikkuria kuljetetaan pitkiä matkoja, tulee käyttää alkuperäistä pakkausta. Ruohonleikkurin turvallinen siirtäminen työskentelyalueella:

- a) Paina STOP (PYSÄYTÄ) painiketta pysäyttääksesi leikkurin.
4-numeroinen PIN-koodi valitaan, kun leikkuri käynnistetään ensimmäisen kerran.
- b) Sammuta ruohonleikkuri aina, kun aiot siirtää ruohonleikkuria.
- c) Kuljeta ruohonleikkuria sen takana edessä olevasta kahvast. Kanna ruohonleikkuria terälevy

poispäin kehostasi.

RF-altistumisvaatimukset

RF-altistumisvaatimusten täyttämiseksi tämän laitteen ja henkilöiden välillä on pidettävä vähintään 200mm tai suurempi etäisyys laitteen käytön aikana.

Tämän noudattamisen varmistamiseksi, mitään toimintoja tämän lähempänä ei suositella. Tämän lähettimen antennia ei saa sijoittaa yhteen muiden antennien tai lähettimen kanssa.

Akun turvaohjeet

- a) **Älä pura, avaa tai revi nappiparistoja tai akkua.**
- b) **Älä aiheuta akkuun oikosulkuja. Älä säilytä akkuja sattumanvaraisesti laatikossa tai kaapissa, jossa ne voivat joutua oikosulkuun toistensa tai muiden metalliesineiden kanssa.** *Kun akku ei ole käytössä, pidä se kaukana muista metalliesineistä, kuten paperiliittimistä, kolikoista, avaimista, nauloista, ruuveista tai muista pienistä metalliesineistä, jotka voivat muodostaa yhteyden päätteiden välille. Akkujen päätteiden yhteiset oikosulut voivat aiheuttaa palovammoja tai tulipalon.*
- c) **Älä altista akkua kuumuudelle tai tulelle. Älä säilytä sitä suorassa auringonvalossa.**
- d) **Älä kohdistu akkuun mekaanisia iskuja**
- e) **Jos paristo vuotaa, älä päästä nestettä kosketuksiin ihon tai silmien kanssa. Jos näin käy, huuhtelee kosketusalue runsaalla vedellä ja hakeudu lääkärin hoitoon**
- f) **Jos nappiparisto tai akku tulee niellyksi, hakeudu välittömästi lääkärin vastaanotolle.**
- g) **Pidä akku puhtaana ja kuivana.**
- h) **Pyyhi akun päätteet puhtaalla, kuivalla liinalla, jos ne ovat likaantuneet.**
- i) **Akku on ladattava ennen käyttöä. Käytä aina oikeaa laturia ja oikeita latausmenetelmiä.**
- j) **Älä jätä akkua ladattavaksi pitkään, jos sitä ei käytetä.**
- k) **Pitkän varastointiajan jälkeen voi olla välttämätöntä ladata ja purkaa akku useita kertoja maksimaalisen suorituskyvyn saavuttamiseksi.**
- l) **Lataa vain Worx in määrittelemällä laturilla. Älä käytä mitään muuta kuin laitteen toimitukseen kuuluvaa laturia.**
- m) **Älä käytä mitään akkua, jota ei ole suunniteltu käytettäväksi kyseisessä laitteistossa.**
- n) **Pidä akku lasten ulottumattomissa.**
- o) **Säilytä tuotteen alkuperäiset asiakirjat tulevaa käyttöä varten.**
- p) **Poista akku laitteesta, kun laitetta ei käytetä.**
- q) **Hävitä käytetty akku oikein.**
- r) **Älä sekoita laitteeseen eri valmistuksen, kapasiteetin, koon tai tyyppin paristoja.**
- s) **Älä poista akkua alkuperäisestä pakkauksestaan ennen kuin se on tarpeen.**
- t) **Noudata akun plus (+) - ja miinus (-) -merkkejä, jotta varmistetaan asianmukainen käyttö.**

TIETOJA LANDROID:STÄ



VAROITUS – Robottiruohonleikkuri voi olla väärin käytettynä vaarallinen. Lue käyttöopas huolellisesti läpi ja varmista, että ymmärrät sisällön, ennen kuin käytät robottiruohonleikkuriasi.



VAROITUS – Säilytä turvallinen etäisyys koneesta työskennellessäsi sillä.



VAROITUS – Kytke laite pois päältä, ennen kuin korjaat tai nostat sitä.



VAROITUS - Älä yritä istua laitteen päällä.



Litiumioniakku Tämä tuote on merkitty symbolilla, joka liittyy kaikkien akkujen ja akkujen "erilliseen keräämiseen". Sitten se kierrätetään tai poistetaan ympäristövaikutusten vähentämiseksi. Akku saattaa olla haitallista ympäristölle ja ihmisten terveydelle, koska se sisältää haitallisia aineita



Älä hävitä tulesa.



Akkujen sisältö voi joutua veden kiertoon, jos ne hävitetään virheellisesti. Älä hävitä akkuja lajittelemattomana kotitalousjätteenä.



Älä pura konetta ilman lupaa



Elektroniikkaromua ei saa hävittää kotitalousjätteen mukana. Toimita elektroniikkaromu asianmukaisiin keräyspisteisiin. Kysy kierrätysohjeita paikallisilta viranomaisilta tai jälleenmyyjältä.



Luokan III laite



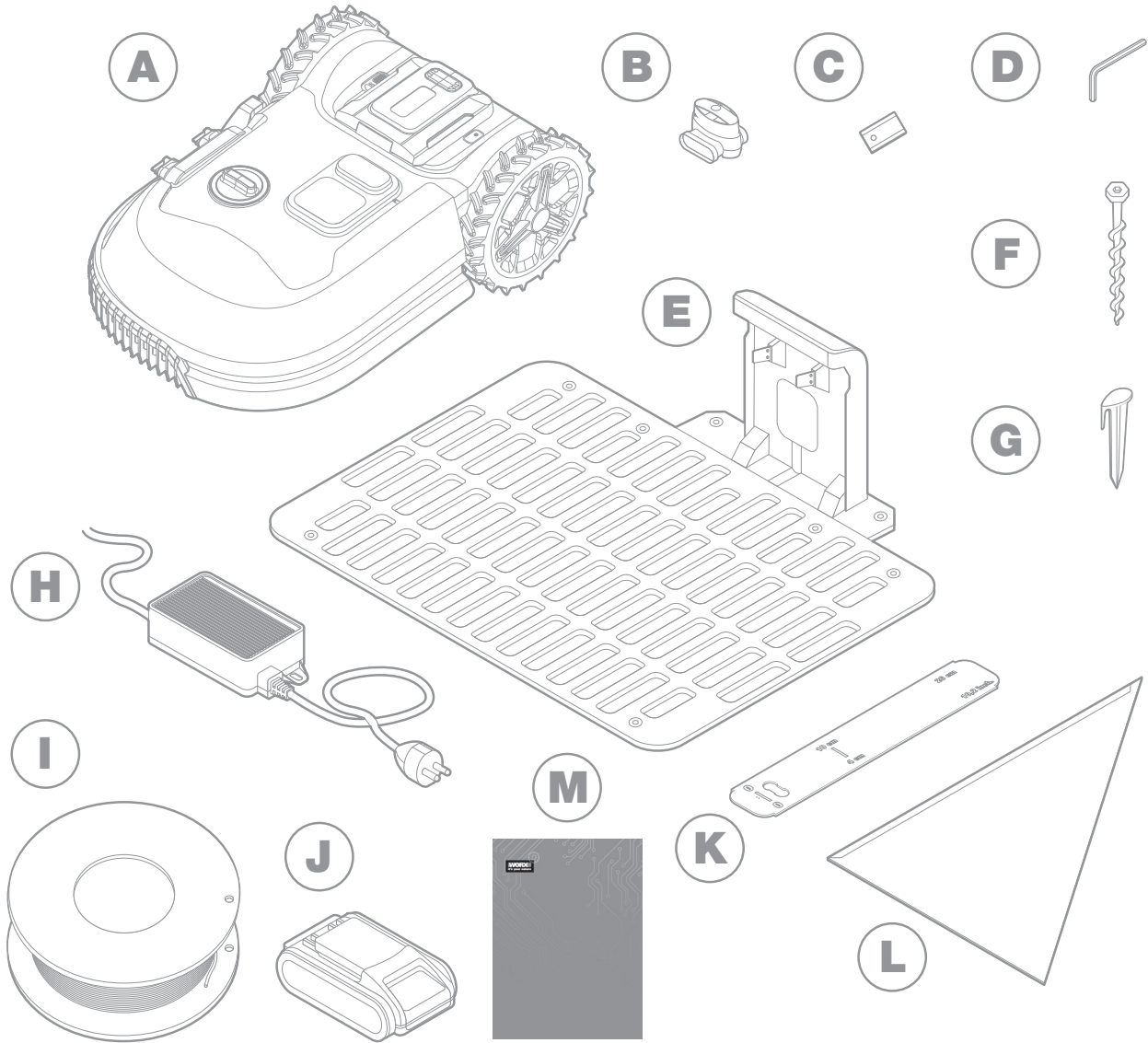
Lue käyttöohje



Irrotettava syöttöyksikkö

Landroid-laitetta voidaan käyttää muiden Worx-toiminnallisten lisävarusteiden kanssa. Vieraile sivustolla www.worxlandroid.com saadaksesi lisätietoja saatavilla olevista lisävarusteista.

**KOMPONENTTILUETTELO
PAKKAUKSEN SISÄLTÖ**



Kuva on vain viitteeksi

A Worx Landroid

B Johdon korjausliitintä

C Varaterää

D Kuusiokulma-avain

E Latausasema

F Latauspaalu

G Ruuvia

H Kaapelin koukut

I Virtalähde

J Rajakaapeli

K 20V Akku

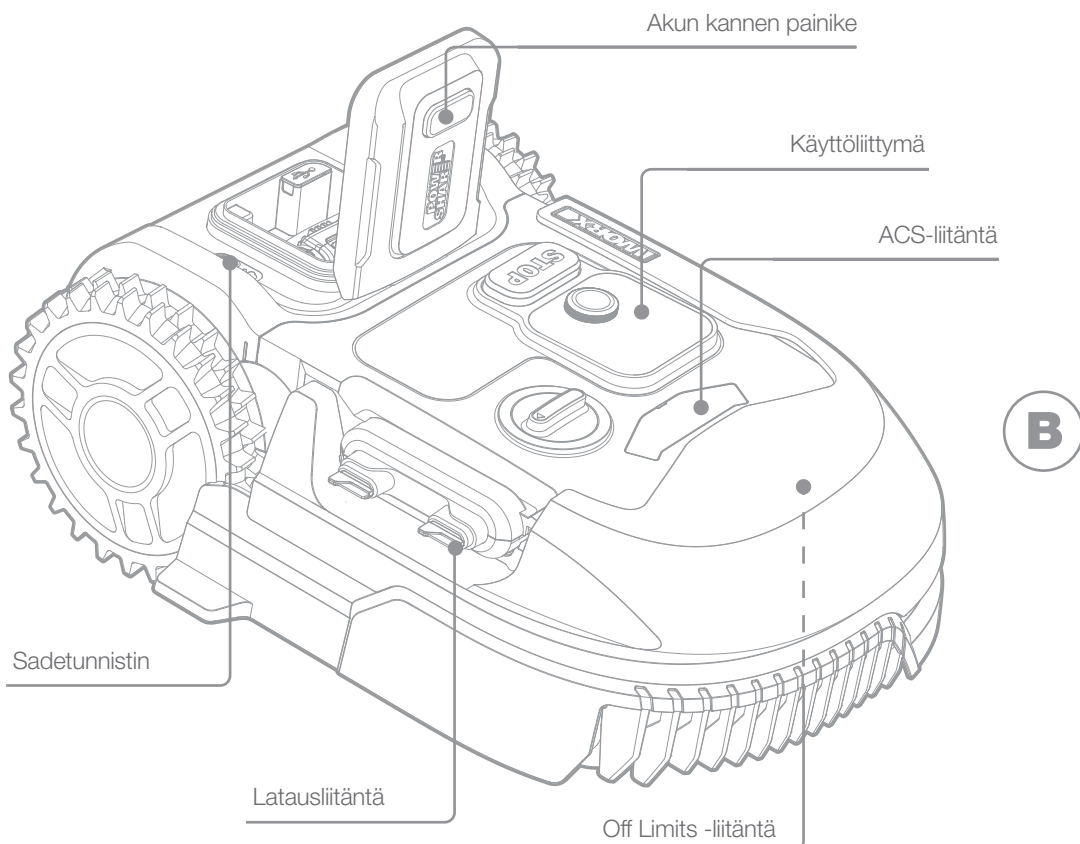
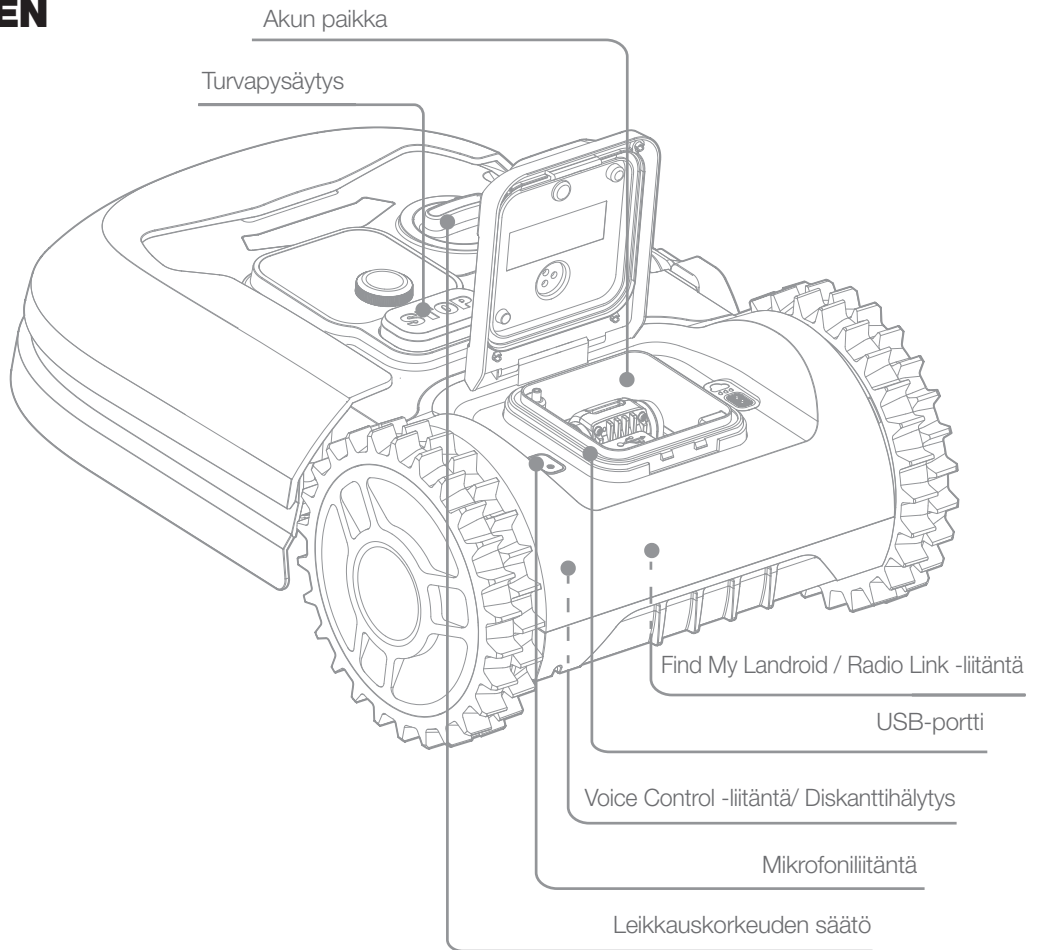
L Rajakaapelin etäisyyden mittaria

M Mitta

N Manuaalinen

**TUTUSTUMINEN
LANDROID**

A



Kuva on vain viitteeksi


TEKNISET TIEDOT

Tyyppi **WR165E WR167E WR148E WR147E.1 (100-199 - koneen määrittämät, esimerkki Nurmikon leikkau srobotti)**

	WR165E	WR167E	WR148E	WR147E.1
Nimellisjännite	20 V Max.*			
Nopeus kuormittamattomana (/min)	2800		2400	
Leikkuuala (m ²)	500	700	800	1000
Leikkaushalkaisija (cm)	18		20	
Leikkauskorkeus (mm)	30-60			
Leikkauskorkeusasennot	4			
Akkutyyppe	Litium			
Akkumalli	WA3551.3	WA3553.3	WA3551.3	WA3553.3
Latausaika noin (mins)	75	150	75	75
Laturimalli	WA3750.1/ WA3755.1			WA3775 / WA3776
Laturiluokitus	Syöttö: 100-240 V~50/60 Hz, 38 W, Anto: 20V , 1.5 A			Syöttö:100-240 V~50/60 Hz, 90 W, Anto: 20 V , 3.0 A
Koneen paino (kg)	9.5	9.8	11.7	12
Suojausaste	III			
App (Wifi / Bluetooth)	Y			
Sisäisen WLAN-moduulin taajuusalue	2.412GHz-2.484GHz			
Sisäisen WLAN-moduulin max. radiotaajuusteho	802.11b:+16±2dBm(@11Mbps) 802.11g:+14±2dBm(@54Mbps) 802.11n:+13±2dBm(@HT20,MCS7)			
Induktiivisen silmukajärjestelmän taajuuskaista	77 Hz			
Suurin induktiivisen silmukajärjestelmän RF-teho	82 dBµA/m			

* Jännite mitattu ilman työkuormaa. Ensimmäinen akkujännite saavuttaa maksimissaan 20 voltia. Nimellisjännite on 18 voltia.

MELUPÄÄSTÖT

	WR165E	WR167E	WR148E	WR147E.1
Painotettu äänenpaine	$L_{pA} = 45.5 \text{ dB(A)}$		$L_{pA} = 40.68 \text{ dB(A)}$	
	$K_{pA} = 0.6 \text{ dB(A)}$		$K_{pA} = 1.36 \text{ dB(A)}$	
Painotettu ääniteho	$L_{wA} = 65.5 \text{ dB(A)}$		$L_{wA} = 61.56 \text{ dB(A)}$	
	$K_{wA} = 0.6 \text{ dB(A)}$		$K_{wA} = 1.36 \text{ dB(A)}$	
Käytä kuulosuojaimia, kun äänenpaine on yli 80 dB (A).				

Tiettyä määrää melua laitteesta ei voi välttää. Jatkuvaa kovaäänistä työskentelyä tulee rajoittaa. Pidä lepotaukoja, ja työtunnit tulee rajoittaa minimiin. Käytä kuulosuojaimia ja lähellä työskentelevien henkilöiden tulee myös tarpeen mukaan käyttää kuulosuojaimia.

LISÄVARUSTEET

	WR165E	WR167E	WR148E	WR147E.1
Ruuvia	9	9	9	9
Latausalusta	1	1	1	1
Latausalustan kiinnitysnaulaa	8	8	8	8
Kehäjohtoa	130m	150m	150m	180m
Johdon kiinnikettä	180	210	210	250
Kuusiokulma-avain	1	1	1	1
Kehäjohtoon etäisyysmitta	2	2	2	2
Terää	9	9	9	9
Liitin	2	2	2	2
Akkuyksikkö (WA3551.3)	1	/	1	/
Akkuyksikkö (WA3553.3)	/	1	/	1
Laturi (WA3750.1/ WA3755.1)	1	1	1	/
Laturi (WA3775 / WA3776)	/	/	/	1

On suositeltavaa hankkia yllä luetellut alkuperäiset lisävarusteet samasta liikkeestä kuin itse laite. Katso lisätietoja lisävarusteen pakkauksesta. Saat neuvoja liikkeen henkilökunnalta.

MÄÄRÄYKSEN MUKAINEN KÄYTTÖ

Tämä tuote on tarkoitettu ruohonleikkaukseen kotitalouksissa. Se on suunniteltu leikkaamaan nurmikko usein, joten nurmikko pysyy terveempänä ja paremman näköisenä kuin koskaan aikaisemmin. Nurmikon koon mukaan Landroidin voi ohjelmoida toimimaan milloin ja miten usein tahansa. Sitä ei ole tarkoitettu kaivamiseen, lakaisemiseen eikä lumenpuhdistukseen.

KUNNOSSAPITO

Landroid tekee kovasti töitä, joten se on puhdistettava ja tarkistettava ajoittain. Tässä osiossa neuvomme, kuinka pidät Landroidisi hyvässä toiminnassa ilman ongelmia vuosikausia. Landroidin kunnossapito . Kytke kone pois päältä ennen huolto- tai kunnossapitotöiden tekemistä.

PIDÄ TERÄT TERÄVINÄ

Landroid ei leikkaa nurmikkoo kuten muut ruohonleikkurit. Sen leikkaavat partakoneen terävät terät leikkaavat molempiin suuntiin parhaan mahdollisen leikkaustuloksen saavuttamiseksi.

- A. Teriä pyörittävä levy pyörii välillä myötä-, välillä vastapäivään käyttääkseen molempia teriä, mikä vähentää terien vaihtotarvetta.
- B. Jos ruohonleikkuri on ohjelmoitu leikkaamaan nurmikko joka päivä, terät kestävät jopa 2 kuukautta.
- C. Tarkista aina, onko teriin tullut lohkeamia tai muita vaurioita ja vaihda vaurioituneet terät.
- D. Tylsistyneet ja kuluneet terät on vaihdettava Landroidin vaihtoteriin.

Vaihtoteriä on saatavilla myös lähimmältä Landroidin jälleenmyyjältä.

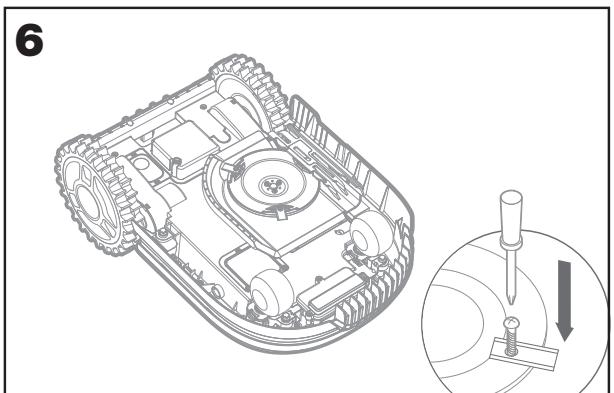
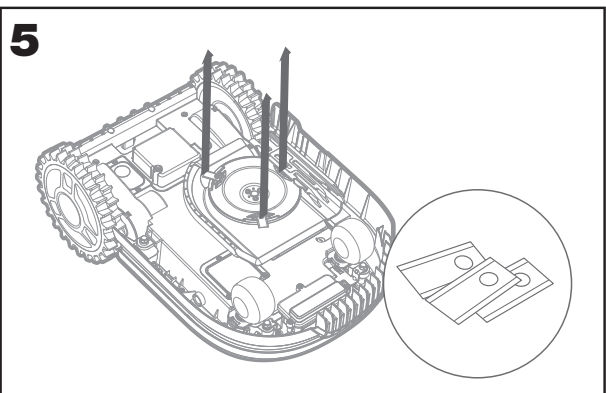
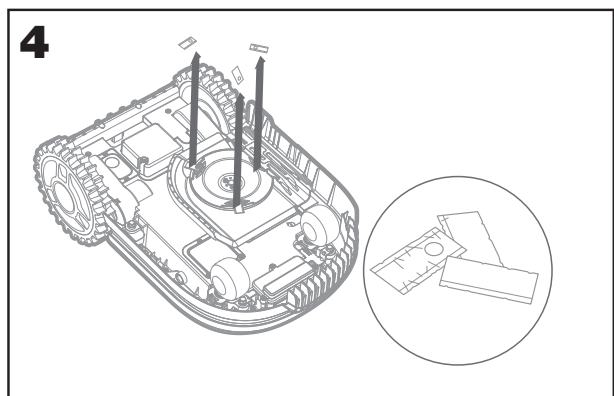
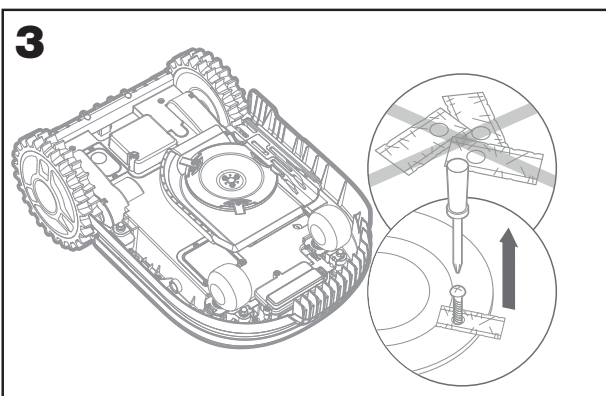
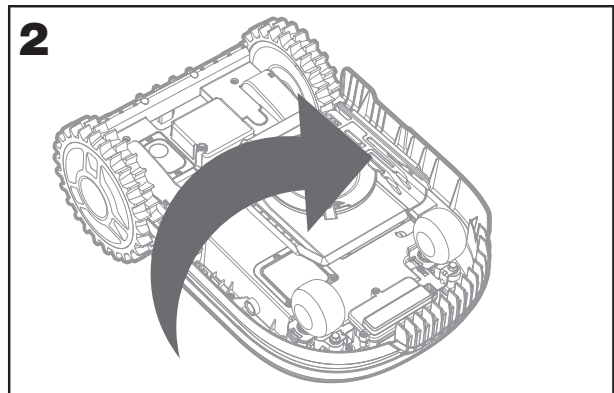
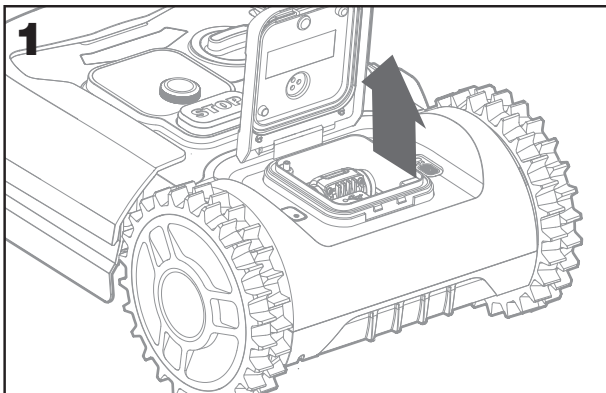
⚠VAROITUS! Sammuta virta laitteesta OFF-toiminnolla ja irrota akku ennen laitteen puhdistusta, säätämistä tai terien vaihtoa. Käytä aina suojakäsineitä.

1. Terien vaihtaminen

Irrota akku (kuva 1) ja käännä Landroid varovasti (kuva 2)

Avaa terien kiinnitysruuvit ruuvimeisselillä (kuvat 3-4).

Kiinnitä uudet terät tiukasti (kuvat 5-6).



⚠ Huom! Vaihda KAIKKI terät kerralla.

Käytä aina uusia ruuveja uusien terien kiinnittämiseen. Tämä on tärkeää terien säilyvyyden ja teriä pyörittävän levyn tasapainon vuoksi. Jos uusia ruuveja ei käytetä, se saattaa johtaa vakaviin vaurioihin.

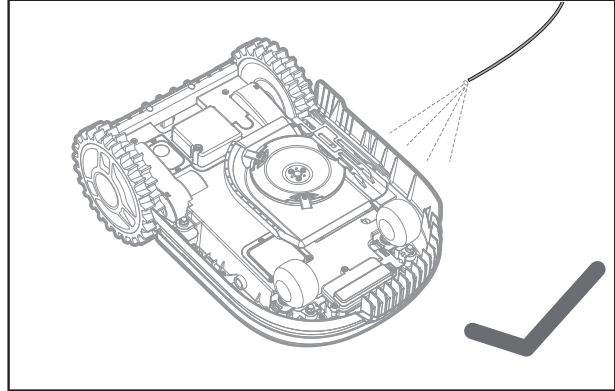
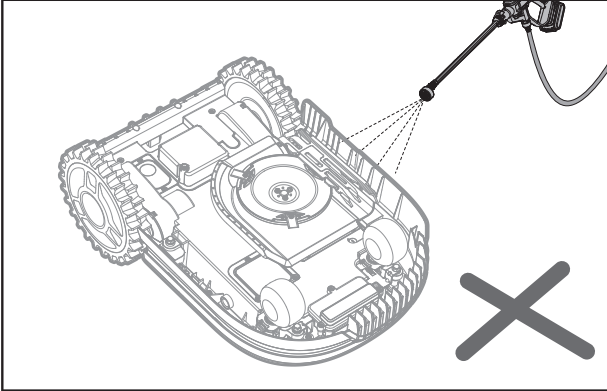
Tärkeää: Kun terät on ruuvattu kiinni terälevyyn varmista, että terät pyörivät vapaasti.

PIDÄ LAITE PUHTAANA

Landroid on puhdistettava säännöllisesti. Lian, jätteiden ja päivittäisten ruohonjäämien poistaminen auttaa pitämään laitteen hyvässä kunnossa. Sammuta Landroid ennen puhdistusta. Turvallisuuden vuoksi irrota myös akku.

⚠ Huomaa: Kun puhdistat Landroid, varmista, että akun kansi on kiinni.

⚠ VAROITUS! SINUN Landroid puhelimesi voidaan puhdistaa vain letkulla! ÄLÄ käytä painepesuria Landroid. Korkeapaineinen vesi voi päästä tiivisteiden sisätilaan ja vahingoittaa elektronisia ja mekaanisia osia.



1. Yläosan puhdistaminen

- A. Puhdista vedellä täytetyllä sumutepullolla. Älä käytä liuottimia tai kiillotusaineita.
- B. Irrota lika harjalla tai puhtaalla liinalla.

2. Alaosan puhdistaminen

- A. Käännä Landroid ylösalaisin.
- B. Irrota jätteet ja ruohonjäämät harjalla.
- C. Varo koskettamasta teriä käsin. Käytä suojakäsineitä.
- D. Puhdista terälevy, runko ja etupyörä(t) huolellisesti pehmeällä harjalla tai kostealla rätillä.
- E. Pyöritä terälevyä nähdäksesi, pyörikö se vapaasti. Poista kaikki tukokset. Poista kiinnittyneet jätteet jotta ne eivät aiheuta halkeamia terälevyyn. Pienikin halkeama vaikuttaa suorituskykyyn.
- F. Varmista, että terät pyörivät vapaasti kiinnitysruuvien ympärillä. Poista kaikki tukokset.

3. Vetopyörien puhdistaminen

- A. Harjaa muta pyöristä varmistaaksesi että ne pitävät hyvin.

4. Latauskontaktien puhdistaminen

- A. Puhdista liinalla latauspohjan kosketusnastat ja Landroidin latausliuskat.
- B. Poista ajoittain ruohonjäämät ja jätteet kosketusnastoista ja latausliuskoista sen varmistamiseksi, että Landroid latautuu joka kerta.

PIDÄ LAITE LADATTUNA

Landroidissa käytetään 20V Li-Ion Worx Powershare -akkua.

- A. Säilytä akku täyteen ladattuna viileässä ja kuivassa paikassa,
- B. Landroidin suositeltu käyttölämpötila on 0-55 °C.
- C. Landroidin akun käyttöikä riippuu käyttötunneista ja päivittäisen käyttöajan pituudesta ruohonleikkuukauden aikana.

1. Landroid voidaan ladata manuaalisesti ilman rajakaapelia.

- A. Liitä latausasema sopivaan virtalähteeseen. Latausaseman vihreä valo syttyy.
- B. Aseta Landroid latausasemaan siten että Landroidissa ei ole virta kytkettynä.
- C. Vihreä merkkivalo alkaa vilkkua ja Landroid alkaa latautua.

SÄILYTYS TALVEN AIKANA

Vaikka Landroid on suunniteltu kestäämään vaikeitakin sääolosuhteita, suosittelemme säilyttämään laitetta vajassa tai autotallissa talven aikana. Valmistelut talvisäilytystä varten

- A. Puhdista laite huolellisesti.
- B. Lataa akku täyteen.

C. Kytke virta pois päältä.

1. Laitteen käyttöönotto keväällä

Kun on aika käynnistää Landroid jälleen uutta kautta varten, tee seuraavat tarkistukset ennen käyttöönottoa:

- A. Päivitä aika ja päivämäärä sovelluksen avulla.
- B. Jos näet latauskontakteissa merkkejä hapettumisesta, puhdista ne hienolla hiekkapaperilla.
- C. Lataa Landroidin akku täyteen ennen käyttöönottoa.

PIDÄ LAITE PÄIVITETTYNÄ

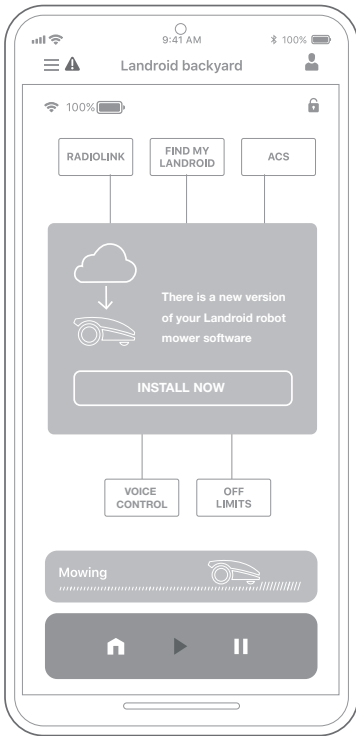
Landroid kehittää jatkuvasti uusia ohjelmaversioita, jotka ovat saatavilla maksutta. Pidä aina Landroidin ohjelmisto ajan tasalla jotta saat laitteestasi parhaan mahdollisen hyödyn.

1. Over-the-Air (OTA) -päivitykset

Jos Landroid on yhdistetty WiFi-verkkoon, saat ilmoituksen uusista ohjelmapäivityksistä sovelluksen kautta. Vahvistuksen jälkeen päivitys lähetetään automaattisesti Over-the-Airin kautta.

2. Tarkista, mikä ohjelmistoversio laitteessa on.

Ohjelmistonumeron näkee, kun Landroid käynnistetään.



3. Manuaaliset päivitykset

- A. Jos Landroidia ei ole yhdistetty WiFi-verkkoon, voit päivittää sen USB-muistitikun avulla.
- B. Käy säännöllisesti Worx Landroid -verkkosivustolla katsomassa, onko uusia päivityksiä saatavilla. Jos olet Landroidin sähköpostilistalla, saat ilmoituksen kun uusi versio on saatavilla.
- C. Lataa uusin ohjelmistoversio verkkosivustoltamme
- D. Käytä FAT32-formatoitua tyhjää USB-muistitikku.
- E. Tallenna pakattu tiedosto ja pura se USB-muistitikulle.
- F. Aseta Landroid turvallisesti tasaiselle pinnalle.
- G. Kytke virta pois Landroidista.
- H. Landroidin takaosassa on USB-portti.
- I. Pane USB-muistitikku USB-porttiin.
- J. Aseta Landroid uudelleen nurmikolle rajakaapelilla rajatun alueen sisäpuolelle.
- K. Kytke virta päälle Landroidiin.
- L. Älä nosta Landroidia ja ota USB-muistitikku pois kun näytöllä näkyy 'USB' .
- M. Päivitys alkaa automaattisesti. Se saattaa kestää jonkin aikaa. Landroid käynnistyy automaattisesti uudelleen kun päivitys on valmis.


HUOM! Varmista, että Landroid on on rajalangalla rajatun alueen sisäpuolella kun käynnistät sen uudelleen.

KÄYTTÖVIESTIT

VIESTI LANDROID-TOIMINTA	VIESTI LANDROID-TOIMINTA
Ruohon leikkaaminen	Ruohon leikkaaminen niittoaikataulun mukaisesti.
Sataa	Sadetunnistin tunnistaa veden. Landroid palaa latausasemalle ja pysyy tässä asennossa, kunnes se on ohjelmoitu. Kuivumisen jälkeen Laandroid aloittaa sateen viiveenlaskennan automaattisesti ja palaa sitten leikkaustilaan. Jos haluat leikata Landroid ennen sitä, sammuta se ja kytke se uudelleen päälle, mutta vain, kun sadetunnistin on kuiva, tai voit poistaa sateen viiveen asettamalla sateen viiveen nolaksi.
Tule takaisin kotiin	Täytyy ladata - leikkuuterä pysähtyy matkalla pohjaan
Lataaminen	Näytä "Lataaminen" ja latausprosentti.
Ei työaikaa	Valmiustila, on ohjelmoitava tarpeen mukaan.
ei toimi tänään	Valmiustila alkaa niittoaikataulun mukaisesti.
Tänään tehty työ	
Aluehaku	Mukautetun työtilan asetuksen mukaan Landroid etsii
lataus on valmis	Landroid on saanut latauksensa päätökseen.
Hätälataus	Hätälataus Laandroid lataa virtaa.

VIRHEILMOITUKSET

Joskus jotain menee pieleen. Onneksi Landroid on riittävän fiksu kertoakseen, mikä on vialla, jotta voit korjata tilanteen. Jos jotain on epäselvää, löydät verkkosivustoltamme hyödyllisiä videoita ja muuta tukea.

VIESTI	SYY	TOIMENPITEET
	Akun kansi ei ole kiinni	Sulje akun kansi
Poissa työalueelta! Nollaa painamalla "START".	Landroid ei löydä rajakaapelin signaalia.	1. Landroid on työskentelyalueenulkopuolella. Sammuta virta, vie Landroid työskentelyalueen sisäpuolelle, kytke virta päälle ja paina Start-painiketta. 2. Jos Landroid on työskentelyalueen sisäpuolella, tarkista, palaako latausaseman vihreä merkkivalo jatkuvasti. Jos merkkivalo palaa punaisena, tarkista, onko rajakaapeli kiinnitetty kunnolla latausasemaan ja tarkista, onko latausasema kytketty virtalähteeseen. Jos liitännät ovat oikein yhdistetty, rajakaapeliteerminaalit on väärin kytketty ja ne pitää kytkeä uudelleen.
VÄÄRÄ PIN! Yritä uudelleen.	Väärä PIN-koodi.	Anna oikea PIN-koodi tai aseta PINkoodi uudelleen.

Terän moottorin vika! Nollaa painamalla "START".	Jotain, esim. oksa, on terälevyn tiellä.	Kytke virta pois päältä. Käännä Landroid ylösalaisin ja tarkista, estääkö jokin terälevyä pyörimästä. Poista este. Käännä Landroid oikein päin. Kytke virta päälle. Paina Start-painiketta.
	Ruohonjäämät tukkivat terää.	Kytke virta pois päältä. Vie Landroid alueelle, jossa ruoho on matalampaa tai säädä leikkauskorkeus korkeammaksi. Kytke virta päälle. Paina Start-painiketta.
Pyörien moottorin vika! Nollaa painamalla "START".	Jokin estää pyörien moottoria toimimasta.	Kytke virta pois päältä ja vie Landroid alueelle, jossa ei ole esteitä. Kytke virta päälle. Paina Start-painiketta. Jos vikailmoitus on edelleen näkyvillä, kytke virta pois päältä. Käännä Landroid ylösalaisin ja tarkista, estääkö jokin pyöriä pyörimästä. Poista esteet, käännä Landroid oikein päin ja kytke virta päälle.
Ylösalaisin! Nollaa painamalla "START".	Näin voi käydä silloin, kun Landroid työskentelee kaltevalla pinnalla, joka saa sen kaatumaan.	Käännä Landroid oikein päin ja poista este, joka on mahdollisesti saanut Landroidin kaatumaan.
Leikkuri jumissa! Nollaa painamalla "START".	Landroid on jäänyt kiinni.	Kytke virta pois päältä. Vie Landroid alueelle, jossa ei ole esteitä ja kytke virta päälle. Paina Start-painiketta. Jos vikailmoitus on edelleen näkyvillä, kytke virta pois päältä ja käännä Landroid ylösalaisin. Tarkista, estääkö jokin pyöriä pyörimästä. Poista esteet, käännä Landroid oikein päin ja kytke virta päälle.
Leikkuri noussut! Nollaa painamalla "START".	Landroidia on nostettu.	Kytke virta pois päältä. Vie Landroid alueelle, jossa ei ole esteitä ja kytke virta päälle. Paina Start-painiketta. Jos vikailmoitus on edelleen näkyvillä, kytke virta pois päältä ja käännä Landroid ylösalaisin ja tarkista, mikä voisi olla syynä Landroidin nostamiseen. Poista esteet, käännä Landroid oikein päin ja kytke virta päälle.
Akun jännite on liian alhainen! vaihda akku.	Akku on lopussa.	Kytke Landroidista virta pois päältä ja vie se latausasemaan. Näytöllä näkyy ilmoitus 'Emergency charging' ja akku alkaa latautua. Jos akun vikailmoitus näkyy edelleen, akku on voittunut ja se on vaihdettava.
Kaapeli puuttuu! Nollaa painamalla "START".	Landroid ei löydä rajakaapelin signaalia.	Jos LED-merkkivalo on punainen, tarkista, onko rajaviiva liitetty kunnolla latauspinon pidikkeeseen Jos ongelma jatkuu, tarkista, onko rajakaapeli katkennut.
Kaapeli puuttuu! Nollaa painamalla "START".	Lämpötila on liian korkea (yli 55°C) tai liian alhainen (alle 0°C) ladattaessa.	Laita latausalusta varjoisaan paikkaan tai odota, kunnes se saavuttaa normaalin lämpötilan.
Latausasemaa ei löydy! Nollaa painamalla "START".	Rajakaapeli on sallittua pidempi (300 m) tai ruohonleikkurissa ei ole riittävästi virtaa palatakseen latausasemaan.	Ramenez le Landroid vers le socle de recharge.
Leikkuri lukittu!	Kun 'Lock Function' -toiminto on käytössä ja Landroid ei saa signaalia WiFi-reitittimestä 3 päivän kuluessa, se lukittuu turvallisuuden vuoksi. Syynä voi olla, että reitittimestä on katkennut virta tai että olet vaihtanut WiFi-reitittintä tai internetpalveluntarjoajaa.	Yhdistä Landroid uudelleen samaan WiFi-verkkoon, johon se alun perin liitettiin. Jos tämä ei ole mahdollista, ota yhteyttä asiakaspalveluun.

MUISTIINPANOJA

- A. Tarkista aina, että Landroid on työskentelyalueen sisäpuolella ennen kuin kytket virran pois päältä.
- B. Jos haluat jostain syystä pysäköidä Landroidin latausasemaan (esim. juhlien tai lasten leikkien vuoksi), paina Home-painiketta ja sen jälkeen OK. Landroid siirtyy latausasemaansa ja pysyy siellä. Huomioi, että Landroid odottaa nyt seuraavaa aikataulutettua ruohonleikkuaikaa. Jos haluat käynnistää sen uudelleen voit käynnistää sen milloin tahansa ja painaa OK.
- C. Jos numikkosi samalla alueella esiintyy toistuvasti vikailmoitus, rajakaapelin suhteen voi olla ongelmia. Katso ohjeita ja tarkista että rajakaapeli on oikein asennettu .
- D. Jos nurmikkosi on jaettu kahteen alueeseen, joiden välillä on alle 1 metrin käytävä eikä toisella puolella ole latausasemaa, vie Landroid itse latausasemaan.
- E. Jos Landroid käyttäytyy toisinaan tavanomaisesta poikkeavasti, palauta sen asetukset ottamalla akku pois 30 sekunnin ajaksi ja käynnistämällä laite sen jälkeen uudelleen. Jos ongelma ei ratkea, ota yhteyttä asiakaspalveluun.

VIANETSINTÄ

Jos Landroid ei toimi kuten pitäisi, noudata seuraavia vianetsintäohjeita. Jos ongelma jatkuu, ota yhteyttä asiakaspalveluun.

VIKA	SYY	RATKAISU
Latausaseman merkkivalo ei syty.	Ei virtaa.	Tarkista, että latausasema on yhdistetty kunnolla laturiin ja että laturi on liitetty sopivaan virtalähteeseen.
Latausasemassa palaa punainen merkkivalo.	Rajakaapelia ei ole yhdistetty.	Tarkista, että rajakaapeli on yhdistetty oikein latausasemaan. Tarkista, ettei rajakaapeli ole vaurioitunut.
Landroidiin tulee virta, mutta terälevy ei pyöri.	Landroid etsii latausasemaa.	Tämä on normaalia. Kun Landroid tarvitsee lataamista, terälevy lakkaa automaattisesti pyörimästä kun Landroid etsii latausasemaa.
Landroid tärisee	Terälevy on epätasapainossa. Terät voivat olla vahingoittuneet.	Vérifiez les lames et remplacez-les si elles sont endommagées. Retirez les débris et objets étrangers des lames et du disque de coupe.
Nurmikon leikkausjälki on epätasaista.	Landroidin työskentelytunnit eivät riitä nurmikon leikkaamiseen.	Lisää työtuntien määrää ruohonleikkuun aikatauluun.
	Nurmikkoalue on liian suuri tälle Landroid-mallille.	Pienennä leikattavaa nurmikkoaluetta tai työskentelyajan pidentäminen
	Terät ovat tylsistyneet.	Vaihda kaikki terät ja ruuvit terälevyn tasapainottamiseksi.
	Leikkauskorkeus on liian matala suhteessa ruohon pituuteen.	Nosta leikkauskorkeutta ja alenna sitä asteittain.
	Levyterän ympärillä on ruohonjäämiä tai muita esteitä.	Tarkista terälevy ja poista ruohonjäämät tai muut esteet, jotka voivat estää terälevyä pyörimästä.
	Ruohoa on kerääntynyt terälevyyn tai moottorin kehikkoon.	Varmista, että terälevy pyörii vaivattomasti. Tarvittaessa irrota terälevy ja poista jätteet.
Landroid on työskentelyalueen sisäpuolella ja rajakaapeli on liitetty, mutta näytöllä näkyy '- E1 -'.	Rajakaapelin liittimet on liitetty väärin.	Kiinnitä rajakaapelin liittimet päinvastaiseen järjestykseen latausasemaan.
Latausaika on paljon ilmoitettua pidempi.	Latausliuskan johtavuus on heikko kertyneestä jätteestä johtuen.	Puhdista Landroidin latausaseman latausnastat ja latausliuska puhdistusliinalla.
	Latauksen suojausohjelma on käynnistynyt korkeasta lämpötilasta johtuen.	Vie latausasema varjoisaan paikkaan tai odota, kunnes lämpötila on laskenut.

Ruohonleikkuri ei lataudu	Ei virtaa.	Tarkista, että virtajohto on kunnolla kiinnitetty laturiin ja että laturi on liitetty oikeanlaiseen virtalähteeseen. Varmista, että ruohonleikkurin molemmat latausliuskat koskettavat latausaseman pohjan keskellä olevia latausliuskoja.
Landroidin käyttöaika latausten välillä on lyhentynyt aiemmasta.	Jokin tukkii terälevyä, aiheuttaa kitkaa ja lisää virrankulutusta.	Irrota terälevy ja puhdista se. Nurmikko saattaa olla liian korkeaa ja tiheää.
	Landroid tärisee voimakkaasti koska terälevy on epätasapainossa.	Tarkista terälevy ja terät, ja poista jätteet ja vieraat esineet teristä ja terälevystä. Vaihda terät uusiin.
	Akku on kulunut tai vanha.	Vaihda akku.
	Työskentelyaika on lopussa	Nollaa työskentelyaika
Landroid ei toimi haluttua aikaa.	Kelloa ei ole asetettu oikeaan aikaan.	Aseta kello oikeaan aikaan.
	Landroid ei toimi oikein ohjelmoitujen leikkuaikojen mukaisesti.	Muuta Landroidin aloitus- ja lopetusajkojen asetuksia.
	Sovelluksen asettama viikoittaisen prosenttiosuus APP on muuttunut.	Aseta oikea prosenttiosuus APP kautta.
Landroid ei asetu oikein latausasemaan.	Ympäristön vaikutukset.	Käynnistä Landroid uudelleen
	Latausliuskan johtavuus on heikko kertyneestä jätteestä johtuen.	Puhdista Landroidin latausaseman latausnastat ja latausliuska puhdistusliinalla.
Latausaseman merkkivalo palaa vihreänä ennen kuin lataus on valmis.	latausalusta ylikuumenee tai jäähtyy liikaa	Laita latausalusta varjoisaan paikkaan tai odota, kunnes se saavuttaa normaalin lämpötilan
Landroidin pyörät luisuvat jatkuvasti.	Landroidin alla voi olla oksia tms.	Poista vieraat esineet Landroidin alta.
	Nurmikko on liian märkää.	Odota, kunnes nurmikko on kuivunut.
Landroid liikkuu rajakaapelilla rajatun alueen ulkopuolella. Landroid ei leikkaa nurmikkoa rajakaapelilla rajatun alueen sisäpuolella. Landroid peruuttaa tai kääntyy virheellisesti rajakaapelin lähellä.	Toisen Landroid-robotiruohonleikkurin rajakaapeli on asetettu liian lähelle.	Varmista, että oman rajakaapelisi ja naapurin rajakaapelin välillä on vähintään 1 metri välimatkaa.
	Märissä olosuhteissa rajakaapelin sähkösignaali saattaa vuotaa kohdissa, joissa se on liitetty tai korjattu väärin.	Tarkista rajakaapelin liitännät. Eristä liitokset vedenpitävästi.
	Rajakaapelin sähkösignaali vuotaa rikkiäisestä eristyksestä johtuen.	Korjaa vahingoittunut rajakaapeli mukana toimitetuilla liittimillä.
Landroid liukuu työskentelyalueen ulkopuolelle alamäessä.	Landroidin vetopyörät eivät pidä kunnolla.	Tarkista, että vetopyörissä ei ole likaa tai mutaa jotta niiden pito on mahdollisimman hyvä.
Landroidin käyttöjärjestelmä kaatuu lataus- tai lepotilassa.	Ohjelmistossa tai näytössä on vikaa.	Käynnistä Landroid uudelleen.
Landroidin virta kytkeytyy pois päältä latausasemassa.	Landroid ei lataudu lämpösuojauksesta johtuen ja virta kytkeytyy pois päältä.	Vie latausasema varjoisaan paikkaan tai odota, kunnes lämpötila on laskenut.
	Heikko yhteys.	Tarkista latausaseman merkkivalo. Tarkista latausaseman latausnastojen ja latausliuskan välinen yhteys.

Landroid pysähtyy työskentelyalueella.	Työskentelyalueella on este.	Poista este Landroidin työskentelyalueelta.
	Leikkauskorkeus on asetettu liian matalaksi ruohon pituuteen ja tuuheuteen nähden.	Nosta leikkauskorkeutta ja alenna sitä asteittain.
	Jatkettu rajakaapeli ei saa ylittää pituudeltaan 350 metriä, ettei signaalin suhteen ei tule ongelmia.	Lyhennä rajakaapelin pituutta.
	Nurmikon keskustan ja rajakaapelin väli ei saa ylittää 25 metriä, ettei signaali heikkene liikaa.	Lyhennä nurmikon keskustan ja rajakaapelin väli alle 25-metriseksi.
Landroid kaatuu.	Nurmikolla on este.	Poista este Landroidin työskentelyalueelta.
Landroid ei saa yhteyttä internetiin.	Tarkista reitittimen asetukset.	Varmista, että reititin on taajuudella 2,4 GHz. Jos reitittimessä on kaksi vaihtoehtoa, valitse 2,4 GHz taajuus. Varmista, että reititin on asetettu 802.11 -tilaan ja että langattoman verkon asetus on b/g/n. Varmista, että reitittimessä on käytössä SSID-lähetystoiminto käytössä, kun liität laitteen sovellukseen. Voit sulkea sen, kun liitäntä on onnistunut. Varmista, että DHCP-toiminto on käytössä. Jos vaihdat WiFi-verkkoa, Landroid on liitettävä uuteen verkkoon. Jos sinulla on "Fritz!box"-reititin, varmista, että asetuksissa on valittuna "Allow communication between devices in same network".
	Tarkista, onko yhteys reitittimeen katkennut tai WIFI SSID muuttunut	Varmista, että reititin on yhdistetty ja WIFI SSID on oikein
Kun säädät "Kuukausi / tunti / minuutti", Landroidi antaa äänimerkin,	Tämä on normaalia	Vastapäivään Tee säädöt.

YMPÄRISTÖNSUOJELU



Elektroniikkaromua ei saa hävittää kotitalousjätteen mukana. Toimita elektroniikkaromu asianmukaisiin keräyspisteisiin. Kysy kierrätysohjeita paikallisviranomaisilta tai jälleenmyyjältä.

VAATIMUSTENMUKAISUUSVAKUUTUS

Me,
Positec Germany GmbH
Grüner Weg 10, 50825 Cologne, Germany

Ilmoita Positecin puolesta, että tuote

Kuvaus **Nurmikon leikkausrobotti**

Tyyppi **WR165E WR167E WR148E WR147E.1 (100-199 - koneen määrittäykset, esimerkki Nurmikon leikkausrobotti)**
(Sarjanumero on sijoitettu takasivulle) akkulaturin WA3775 / WA3776/WA3750.1/ WA3755.1 ja latauspisteen
WA4002.1 kanssa

Tehtävä **Ruohon leikkaaminen**

On seuraavien direktiivien mukainen,

2006/42/EC, 2014/30/EU, 2014/35/EU, 2011/65/EU&(EU)2015/863, 2000/14/EC ja sen lisäys 2005/88/EC, 2014/53/EU

WR165E WR167E

2000/14/EC ja sen lisäys 2005/88/EC

- Yhdenmukaisuuden arviointi
- Mitattu äänenvoimakkuuden taso
- Ilmoitettu taattu äänenvoimakkuuden taso

liitteen V mukaisesti
65.5 dB (A)
67 dB (A)

WR148E WR147E.1

2000/14/EC ja sen lisäys 2005/88/EC

- Yhdenmukaisuuden arviointi
- Mitattu äänenvoimakkuuden taso
- Ilmoitettu taattu äänenvoimakkuuden taso

liitteen V mukaisesti
61.56 dB (A)
63 dB (A)

Asiaankuuluva viranomainen

Nimi: Intertek, Semko AB (Asiaankuuluva viranomainen 0413)

Osoite: Torshamnsgatan 43164 22 Kista Sweden

Sertifiointinumero: 201002326SHA-V1

Yhdenmukaisuusstandardit,

EN 60335-1:2012+A11+A13+A14+A2:2019, EN 50636-2-107:2015+A1+A2:2020,
EN 60335-2-29:2004+A2+A11:2018, EN 62233:2008, EN 55014-1:2017+A11:2020,
EN 55014-2:2015, EN IEC 61000-3-2:2019, EN 61000-3-3:2013+A1:2019, EN ISO 3744:2005,
EN 300 328 V2.2.2, EN 301 489-1 V2.2.3, EN 301 489-17 V3.2.4, EN IEC 62311:2020,
EN 61558-1:2005+A1:2009, EN 61558-2-16:2009+A1:2013,
EN 55011:2016+A11:2020,
EN 303 447 V1.1.1
EN 55032:2015+A11:2020, EN 55035:2017+A11:2020

Henkilö, joka on valtuutettu laatimaan teknisen tiedoston,

Nimi Marcel Filz

Osite Positec Germany GmbH, Grüner Weg 10, 50825 Cologne, Germany

2020/12/02

Allen Ding

Apulais Pääinsinööri, testaus ja sertifiointi

Positec Technology (China) Co., Ltd

18, Dongwang Road, Suzhou Industrial

Park, Jiangsu 215123, P. R. China

SIKKERHETSANVISNINGER GENERELLE OG SPESIFIKKE SIKKERHETSADVARSLER

⚠ ADVARSEL Les gjennom alle advarslene og alle anvisningene. Hvis advarslene og anvisningene ikke følges, kan det forårsake elektriske støt, brann og/eller alvorlige skader.

Les nøye gjennom anvisningene for trygg bruk av maskinen.

Ta vare på alle advarsler og anvisninger slik at du kan lese dem senere.

- Dette produktet er ikke ment for bruk av personer (også barn) med begrensede fysiske, sensoriske eller mentale funksjonsevner, eller som mangler erfaring eller kunnskaper, hvis de ikke blir passet på eller har fått opplæring i bruk av produktet av en person som er ansvarlig for deres sikkerhet.
- Barn bør holdes under oppsyn for å være sikker på at de ikke leker med produktet.
- Dette produktet må bare benyttes med den medfølgende strømkilden.
- Batteriet i denne enheten kan bare byttes ut av dyktig personell.

ADVARSEL: For å lade batteriet, bruk bare den flyttbare strømforsyningsenheten som følger med enheten.

ADVARSEL: For å redusere risikoen for personskade og skade på maskinen, må du ikke fjerne før du slår av maskinen.

VIKTIG!

LES NØYE FØR BRUK

TA VARE PÅ TIL SENERE BRUK

Rutiner for trygg bruk

Opplæring

- Les nøye gjennom anvisningene. Vær sikker på at du forstår anvisningene, og er fortrolig med knappene og hvordan produktet skal brukes på riktig måte.
- Ikke la personer som ikke kjenner anvisningene, eller barn, bruke produktet. Lokale bestemmelser kan angi aldersgrense for bruk.
- Brukeren er ansvarlig for ulykker eller fare andre personer utsettes for, på sin eiendom.

Forberedelser

- Kontroller at installeringen av grensetråden er gjort iht. anvisningene.
- Foreta jevnlig inspeksjoner av området der produktet skal brukes, og fjern alle steiner, pinner, ledninger, bein og andre fremmedlegemer.
- Se etter skader eller slitasje på bladene, bladskruene og kuttemonteringen med jevne mellomrom. Bytt ut hele settene av slitte eller skadde blader og skruer for å sikre at de er balansert.
- Multispindelprodukter bør håndteres forsiktig, fordi et roterende blad kan få andre blader til å rotere.
- ADVARSEL** Produktet skal aldri brukes med defekt beskyttelse, eller uten sikkerhetsenheter.

Bruk

1. Generelt

- Produktet skal aldri brukes med defekt beskyttelse, eller uten sikkerhetsenheter som for eksempel deflektorer, på plass.
- Hender og føtter skal ikke komme nær eller under roterende deler. Aldri kom nær utslippsåpningen.
- Aldri løft eller bær et apparat med motoren i gang.
- Bruk deaktiveringssenheten på maskinen
 - Før noe som blokkerer fjernes.
 - Før du kontrollerer, rens eller arbeider med apparatet.
- Det er ikke tillatt å endre på originalutformingen av robotgressklipperen. Alle endringer gjøres på egen risiko.

- f) Start robotgressklipperen iht. anvisningene. Når hovedbryteren er på må hender og føtter holdes i trygg avstand fra de roterende bladene. Du må aldri ha hender eller føtter under gressklipperen.
- g) Robotgressklipperen skal aldri løftes eller bæres når hovedbryteren er på.
- h) Personer som ikke vet hvordan robotgressklipperen fungerer eller virker, skal ikke bruke den.
- i) Ikke legg noe på toppen av robotgressklipperen eller ladestasjonen.
- j) Robotgressklipperen skal ikke brukes hvis bladskive eller konstruksjon er defekt. Den bør heller ikke brukes hvis blader, skruer, muttere eller kabler er skadet.
- k) Slå alltid av robotgressklipperen med hovedbryteren når du ikke skal bruke den. Robotgressklipperen kan bare startes når hovedbryteren er på og riktig PIN-kode er skrevet inn.
- l) Hold hender og føtter vekk fra roterende blader. Plasser aldri hendene eller føttene nærme eller under kroppen når robotgressklipperen er i drift.
- m) Unngå å bruke maskinen og utstyret under dårlige værforhold, spesielt om det finnes risiko for lyn.
- n) Ikke rør farlige bevegelige deler før de har stanset helt opp.
- o) For maskiner som brukes i fellesområder, skal advarselsskiltene plasseres rundt arbeidsområdet av maskin. De skal vise innholdet i følgende tekst:
Advarsel! Automatisk gressklipper! Hold deg vekk fra maskinen! Overvåke barn!

2. I tillegg, når produktet går automatisk

- a) Ikke la maskinen gå uten oppsyn hvis du vet at det er kjæledyr, barn eller andre personer i nærheten.

Vedlikehold og lagring

ADVARSEL! Når gressklipperen er snudd opp-ned, skal hovedbryteren alltid være av.

Hovedbryteren skal være av når du gjør noe under den, som rengjøring eller bytting av blader.

- a) Pass på at alle muttere, bolter og skruer er godt festet slik at produktet kan brukes på en trygg måte.
- b) Sjekk robotgressklipperen hver uke og bytt ut slitte eller skadde deler, av sikkerhetshensyn.
- c) Spesielt bladene og bladskiven må sjekkes for skader. Bytt om nødvendig ut alle blader og skruer samtidig, slik at de roterende delene er balansert.
- d) Kontroller at det bare brukes kuttedeler av riktig type.
- e) Kontroller at batteriet lades med riktig lader anbefalt av produsenten. Feil bruk kan føre til elektrisk støt, overoppheting eller lekkasje av etsende væske fra batteriet.
- f) Hvis elektrolytt lekker ut, skyl med vann/nøytraliserende middel, og oppsøk lege hvis det kommer i kontakt med øynene, osv.
- g) Service på produktet skal foretas i henhold til produsentens anvisninger.

Anbefaling

Å koble maskinen og/eller utstyret kun til en strømforsyning som er beskyttet med en jordfeilbryter (RCD) som slår ut ved strøm på mer enn 30 mA.

Restrisiko

For å unngå skade brukes vernehansker når knivene skiftes.

Transport

Bruk originalemballasjen når robotgressklipperen skal fraktes over lengre avstander.

Slik beveger du deg trygt fra eller innenfor arbeidsområdet:

- a) Trykk på STOP-tasten for å stoppe gressklipperen.
Du velger en firesifret PIN-kode når du starter gressklipperen første gang.

- b) Slå alltid av robotgressklipperen hvis den skal bæres.
- c) Gressklipperen skal bæres ved å holde i håndtaket på fronten av den. Bær gressklipperen med bladskiven pekende vekk fra kroppen.

RF eksponeringskrav

For å tilfredsstillere RF-eksponeringskrav, bør en separasjonsavstand på 200mm eller mer opprettholdes mellom denne enheten og personer under enhetsoperasjon.

For å sikre overholdelse anbefales ikke operasjoner på nærmere enn denne avstanden. Antennen som brukes til denne senderen, må ikke plasseres sammen med andre antenner eller sendere.

Sikkerhetsanvisninger for batteripakke

- a) Ikke demonter, åpne eller riv opp sekundære celler eller batteripakker.**
- b) Ikke kortslutt en celle eller en batteripakke. Ikke oppbevar celler eller batteripakke løst i en boks eller skuff hvor de kan kortslutte hverandre eller bli kortsluttet av andre metallgjenstander. Når batteripakken ikke er i bruk skal den holdes adskilt fra andre metallgjenstander som binders, mynter, nøkler, spiker, skruer eller andre små metallobjekter. Kortslutning av batteriet kan forårsake skader eller brann.**
- c) Ikke utsett celler eller batteripakke for varme eller ild. Unngå oppbevaring i direkte sollys.**
- d) Ikke utsett celler eller batteripakke for mekanisk støt.**
- e) Hvis du opplever cellelekkasje, ikke la væsken komme i kontakt med huden eller øynene. Dersom kontakt har oppstått, vask området med rikelige mengder vann og oppsøk medisinsk hjelp.**
- f) Søk medisinsk hjelp umiddelbart hvis en celle eller batteripakke har blitt svelget.**
- g) Hold batteripakken ren og tørr.**
- h) Tørk batteripakkekontaktene med en ren, tørr klut hvis de blir skitne.**
- i) Batteripakken må lades før bruk. Bruk denne instruksjonen og korrekt ladeprosedyre.**
- j) Ikke ha batteripakken til ladning når den ikke er i bruk.**
- k) Etter en lang lagringsperiode kan det være nødvendig å lade og utlade batteripakken flere ganger for å oppnå maksimal ytelse.**
- l) Bruk kun batterilader spesifisert av Worx. Bruk ikke andre ladere enn de som er levert for bruk med utstyret.**
- m) Ikke bruk batteripakker som ikke er beregnet for bruk sammen med utstyret.**
- n) Hold batteripakken utenfor barns rekkevidde.**
- o) Ta vare på den originale bruksanvisningen for fremtidig bruk**
- p) Ta ut batteriene fra utstyret når det ikke er i bruk**
- q) Kvitt deg med produktet på forsvarlig måte.**
- r) Ikke bland batterier av forskjellig produksjon, kapasitet, størrelse eller type i enheten.**
- s) Ikke fjern batteripakken fra originalemballasjen før den trengs.**
- t) Vær oppmerksom på pluss (+) og minus (-) merkene på batteriet for å sikre riktig bruk.**

INFORMASJON OM LANDROID



ADVARSEL – robotgressklippere kan være farlige hvis de brukes på feil måte. Les nøye gjennom bruksanvisningen og pass på at du forstår innholdet før du bruker robotgressklipperen.



ADVARSEL – hold deg på god avstand fra maskinen når du bruker den.



ADVARSEL – Slå gressklipperen av før du utfører arbeide på eller løfter maskinen.



ADVARSEL – ikke ri på maskinen.



Litiumionbatteri Som er merket med symbolene knyttet til “separat samling” av alle batteripakker og batteripakker. Det blir deretter resirkulert eller fjernet for å redusere miljøbelastningen. Batteripakken kan være skadelig for miljøet og menneskers helse fordi det inneholder skadelige stoffer.



Må ikke brennes



Batterier kan ende opp i vann hvis de ikke kastes på riktig måte, som kan være farlig for økosystemet. Ikke kast brukte batterier som usortert husholdningsavfall.



Ikke demonter maskinen uten autorisasjon



Ikke kast elektroprodukter som ikke kan brukes lenger, i vanlig søppel. De må leveres inn til miljøvennlig resirkulering. Du kan få råd om resirkulering hos kommunen eller en forhandler.



Klasse III apparat



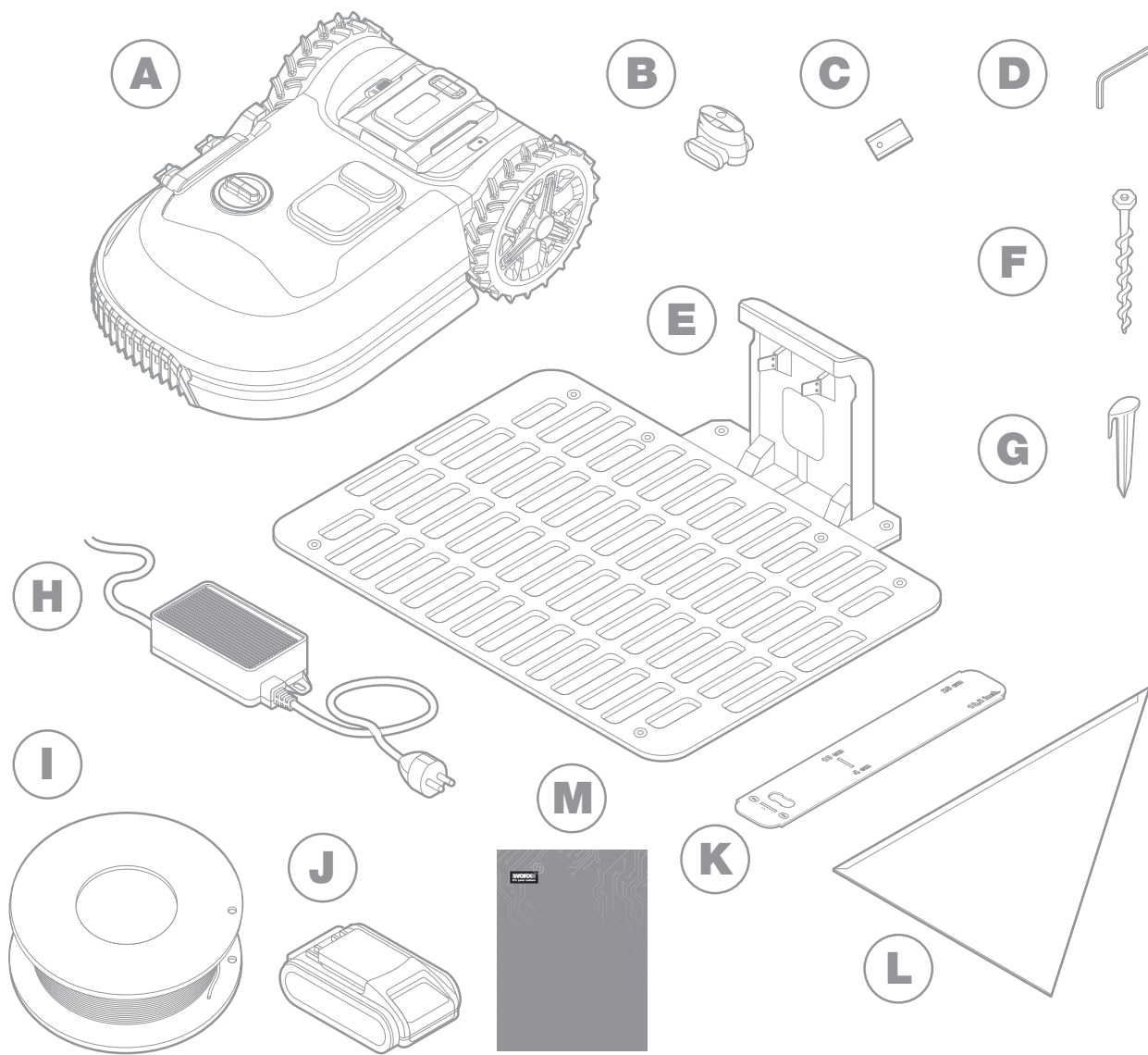
Les bruksanvisningen



Avtakbar forsyningsenhet

Din Landroid kan brukes sammen med andre Worx funksjonelle tilbehør. Gå til www.worxlandroid.com for å lære mer om disse tilgjengelige tilleggsutstyrene.

**KOMPONENTLISTE
ESKENS INNHOLD**



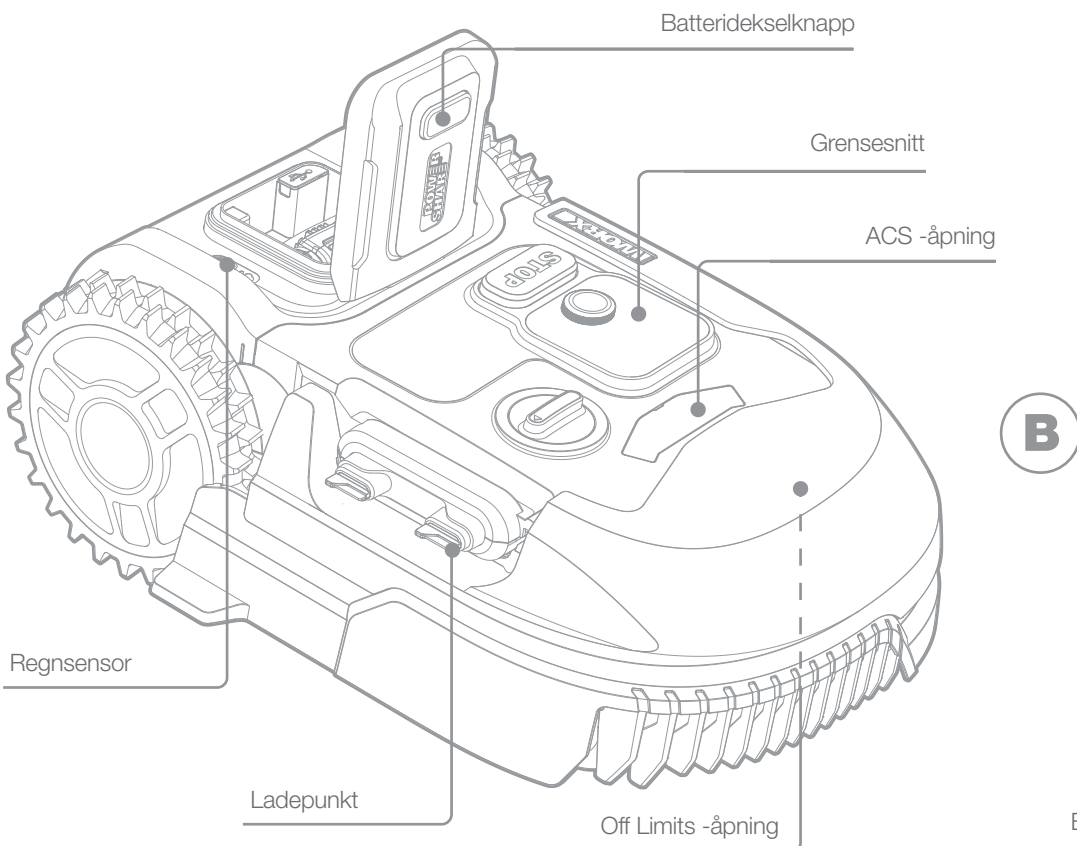
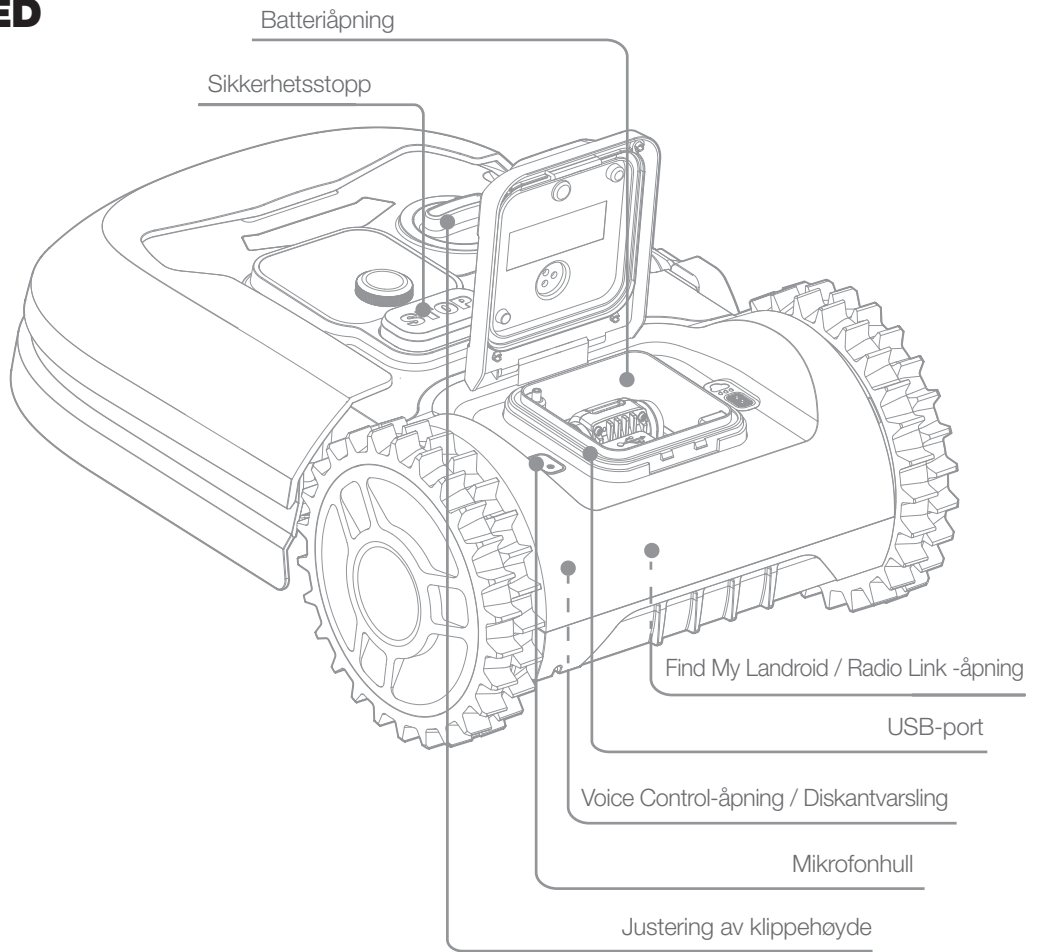
Bildet er kun til referanse

A	Worx Landroid
B	Koblinger til reparasjon av ledninger
C	Sett med ekstra knivblader
D	Sekskantnøkkel
E	Ladestasjon
F	Ladestabel
G	Skruer

H	Ledningstapper
I	Strømforsyning
J	Grenseledning
K	20V Batteri
L	Avstandsmålere til grenseledning
M	Vinkeljern
N	Manuell

**BLI KJENT MED
LANDROID**

A



B

Bildet er kun til referanse

TEKNISKE DATA

Type **WR165E WR167E WR148E WR147E.1 (100-199 - typebetegnelse til maskin, Robot-gressklipper)**

	WR165E	WR167E	WR148E	WR147E.1
Merkespenning	20 V Max.*			
Hastighet uten belastning (/min)	2800		2400	
Kutteområde (m ²)	500	700	800	1000
Skjærediameter (cm)	18		20	
Klippehøyde (mm)	30-60			
Klippehøyde posisjoner	4			
Batteri type	Litium			
Batteri modell	WA3551.3	WA3553.3	WA3551.3	WA3553.3
Ladings tid ca. (mins)	75	150	75	75
Lade modell	WA3750.1/ WA3755.1			WA3775 / WA3776
Lade vurdering	Inngang: 100-240 V~50/60 Hz, 38 W, Utgang: 20V , 1.5 A			Inngang:100-240 V~50/60 Hz, 90 W, Utgang: 20 V , 3.0 A
Maskinens vekt (kg)	9.5	9.8	11.7	12
Beskyttelsesklasse	III			
App (Wifi / Bluetooth)	Y			
Frekvensbånd for innlagt WLAN modul	2.412GHz-2.484GHz			
Maks. radiofrekvens-styrke på innlagt WLAN modul	802.11b:+16±2dBm(@11Mbps) 802.11g:+14±2dBm(@54Mbps) 802.11n:+13±2dBm(@HT20,MCS7)			
Frekvensbånd av det induktive sløyfesystemet	77 Hz			
Maksimal. RF-effekt av det induktive sløyfesystemet	82 dBµA/m			

* Spenning målt uten belastning. Batterispenningen er 20 V til å begynne med. Nominell spenning er 18 V.

STØYINFORMASJON

	WR165E	WR167E	WR148E	WR147E.1
Belastning lydtrykk	$L_{pA} = 45.5 \text{ dB(A)}$		$L_{pA} = 40.68 \text{ dB(A)}$	
	$K_{pA} = 0.6 \text{ dB(A)}$		$K_{pA} = 1.36 \text{ dB(A)}$	
Belastning lydeffekt	$L_{wA} = 65.5 \text{ dB(A)}$		$L_{wA} = 61.56 \text{ dB(A)}$	
	$K_{wA} = 0.6 \text{ dB(A)}$		$K_{wA} = 1.36 \text{ dB(A)}$	
Bruk hørselsvern når lydtrykket er over 80dB (A).				

En viss grad av støy fra maskinen er uungåelig. Støyende arbeide må godkjennes og begrenses til visse perioder. Overhold hvileperiode, og begrenns arbeidstid til et minimum. For personlig beskyttels og beskyttelse for mennesker som arbeider i nærheten, må passende hørselsvern benyttes.

TILLEGGSUTSTYR

	WR165E	WR167E	WR148E	WR147E.1
Grensetråd	9	9	9	9
Grensepinner	1	1	1	1
Sekskantnøkkel	8	8	8	8
Avstandsmåler for grensetråd	130m	150m	150m	180m
Blader	180	210	210	250
Kobling	1	1	1	1
Boundary wire distance gauge	2	2	2	2
Blade	9	9	9	9
Connector	2	2	2	2
Batteripakke (WA3551.3)	1	/	1	/
Batteripakke (WA3553.3)	/	1	/	1
Lader (WA3750.1/ WA3755.1)	1	1	1	/
Lader (WA3775 / WA3776)	/	/	/	1

Vi anbefaler at du kjøper alt ekstrautstyr fra butikken der du kjøpte dette verktøyet. Henviser til tilbehørspakningen for videre detaljer. Butikkpersonalet kan også gi hjelp og råd.

FORMÅLSMESSIG BRUK

Dette produktet er beregnet for gressklipping på private eiendommer. Den er konstruert for å klippe plenen regelmessig, slik at du får en penere plen en noen gang før. Avhengig av hvor stor plenen er, kan du programmere Landroid til å arbeide når som helst eller med jevne mellomrom. Den er ikke ment for graving, feiing eller snørydding.

VEDLIKEHOLD

Din Landroid jobber hardt og trenger å bli rengjort og sjekket av og til. Denne delen av manualen hjelper deg med å holde Landroid i god form, slik at du kan bruke den i mange år fremover uten problemer. Slik tar du vare på Landroid. Slå av maskinen for å utføre enhver type av service eller vedlikehold.

HOLD DEN SKARP

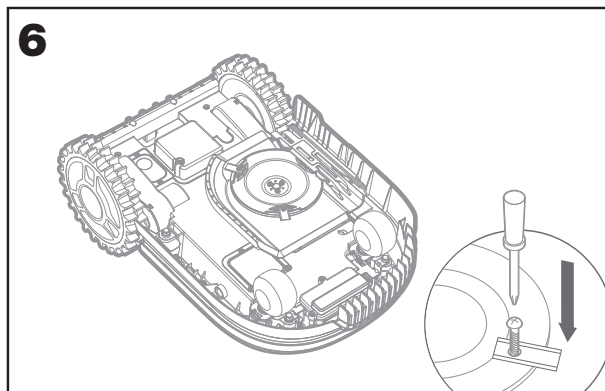
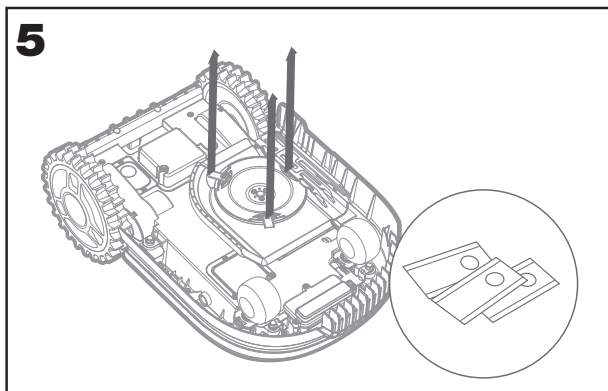
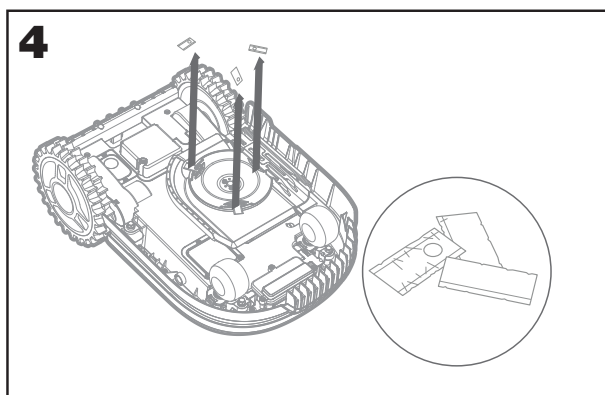
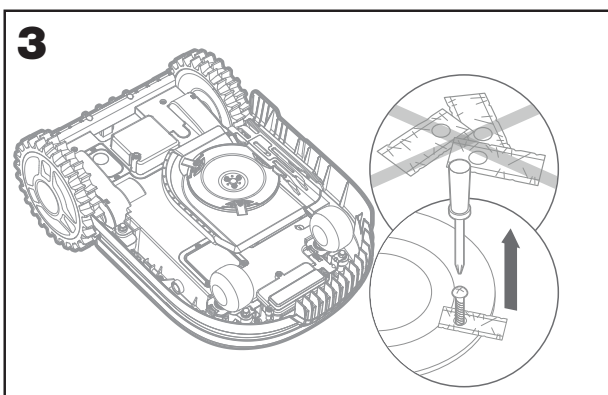
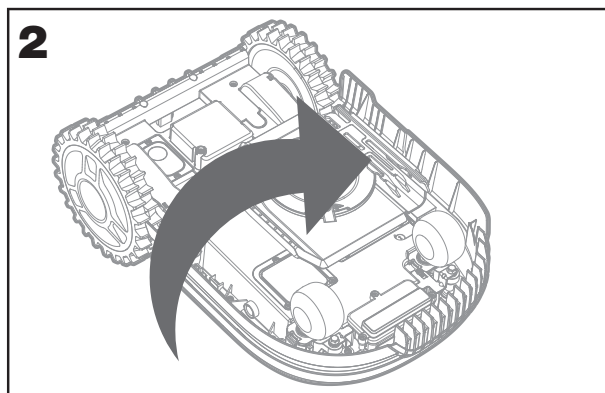
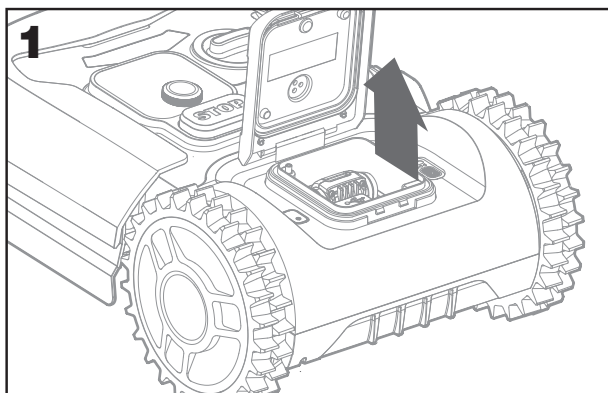
Landroid klipper ikke gresset på samme måte som andre gressklippere. Knivbladene er skarpe på begge sider og roterer i begge retninger for å klippe mest mulig på en gang.

- A. Knivbladet roterer både med, og mot klokka for å bruke begge skjærekantene og minimere behovet for å bytte ut bladene .
- B. Knivbladene varer opptil to måneder når de er programmert til å klippe daglig.
- C. Du bør alltid sjekke at knivbladene ikke er oppflisete eller skadet, og bytte dem hvis de er det.
- D. Når knivbladene er uskarpe og slitte, bør de byttes ut med de medfølgende reservebladene til Landroid. Du får også kjøpt reserveblader hos den nærmeste Landroid-forhandleren din.

⚠ ADVARSEL! Slå AV Landroid og fjern batteriet før du rengjør, justerer, eller bytter bladene. Bruk alltid beskyttelseshansker.

1. Bytting av knivbladene

Fjern batteriet (fig. 1) og legg Landroid forsiktig over på siden (fig.2) skruene fra knivbladene med en skrutrekker (fig. 3 - 4) Skru de nye knivbladene godt på plass (fig. 5 - 6)



⚠ OBS: Sørg for å erstatte ALLE knivbladene når du bytter blader.

Bruk alltid nye skruer når du fester knivbladene. Dette er viktig for å sikre at knivbladet holdes på plass, og for å balansere bladets snuplate. Å ikke bruke nye skruer kan føre til alvorlige skader.

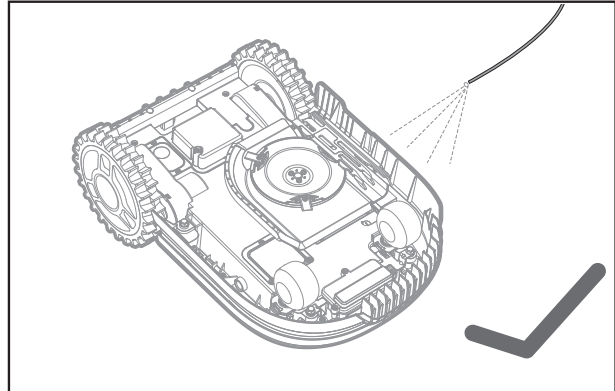
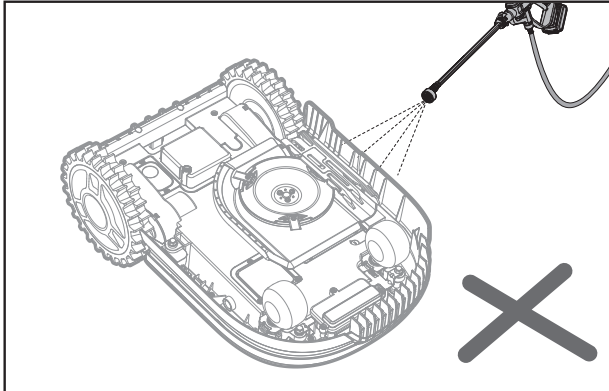
Viktig: Sørg for at bladet kan rotere fritt etter at du har skrudd det fast på knivplaten.

HOLD DEN REN

Landroid bør rengjøres regelmessig. Dette bidrar til å holde den i god stand, spesielt ved at du fjerner skitt, rusk og opphopning av gress fra den daglige klippingen. Slå av Landroid før du rengjør den. Fjern batteriet som en ekstra sikkerhet.

⚠ Merk: Når du rengjør Landroid, må du forsikre deg om at batteridekselet er lukket.

⚠ ADVARSEL! DIN Landroid kan bare rengjøres med en slange! IKKE bruk høytrykkspylere på Landroid. Vann med høyt trykk kan komme inn i tetningens indre og skade elektroniske og mekaniske deler.



1. Rengjøring av overdelen

- A. Rengjør med en sprayflaske med vann. Ikke bruk løsemidler eller poleringsmiddel.
- B. Bruk en børste eller ren klut for å fjerne oppsamlet skitt.

2. Rengjøring av underdelen

- A. Snu Landroid opp ned.
- B. Fjern rusk og gress med en børste.
- C. Vær forsiktig og ikke ta på knivbladene. Bruk hansker for beskyttelse.
- D. Rengjør knivplaten, understellet og forhjulet(ene) grundig med en myk børste eller fuktig klut.
- E. Snurr på knivplaten for å se at den roterer fritt Fjern blokkeringer. Fjern rusk som sitter fast, slik at det ikke forårsaker sprekker i knivplaten. Selv den minste sprekk påvirker ytelsen til gressklipperen.
- F. Sjekk at knivene roterer fritt rundt festeskruene. Fjern blokkeringer.

3. Rengjør hjulene

- A. Fjern søle fra hjulene med en børste for å sikre godt grep på plenen.

4. Rengjøring av strømkontaktene

- A. Rengjør kontaktpluggene på ladestasjonen og ladestripene på Landroid med en klut.
- B. Fjern opphopning av gress eller rusk rundt kontaktpluggene og ladestripene regelmessig, for å sikre at Landroid lades ordentlig hver gang.

HOLD DEN OPPLADET

Hjertet i Landroid er dens 20 V Li-Ion Worx Powershare -batteri.

- A. Sjekk at batteriet er fulladet, og oppbevares på et tørt og kjølig sted med mellom
- B. Den anbefalte driftstemperaturen for Landroid er mellom 0 og 55 ° C
- C. Batterilevetiden til Landroid avhenger av brukstid totalt og per dag i klippesesongen og per dag i klippesesongen.

1. Landroid kan lades manuelt uten grenseledningen

- A. Koble ladestasjonen til et egnet strømuttak. Det grønne lyset på ladestasjonen skrur seg på.
- B. Plasser Landroid i ladestasjonen mens den er avslått.
- C. Det grønne lyset på ladestasjonen blinker, og Landroid starter å lade.

2. Vinterlagring

Selv om Landroid er utformet og bygd for å overleve de tøffeste værforholdene, anbefaler vi at du lagrer den i boden eller garasjen om vinteren. Å forberede den til vinterdvalen:

- A. Rengjør den grundig
- B. Lad batteriet helt fullt
- C. Slå av strømmen

3. Å starte opp igjen om våren

Når det er på tide å starte opp Landroid igjen for den nye sesongen, må du sjekke følgende:

- A. Oppdater innstillingene for klokkeslett og dato via appen.
- B. Hvis du oppdager rust på lade-kontaktene til Landroid og ladestasjonen, kan du gni disse med et fint sandpapir.
- C. Fullad batteriet før du starter Landroid.

HOLD DEN OPPDATERT

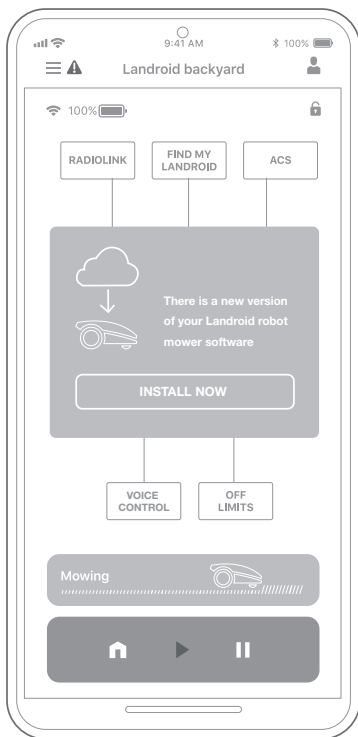
Landroid utvikler seg konstant, og nye programvareversjoner gjøres tilgjengelige. Disse er gratis. Hold Landroid oppdatert for å få mest mulig ut av gressklipperen din.

1. Over-the-Air (OTA) -oppdateringer

Hvis Landroid er koblet til Wi-Fi-nettverket, blir du varslet om at ny programvare er tilgjengelig via appen. Når du bekrefter skjer oppdateringen automatisk over nettet.

2. Sjekk hvilken programvareversjon du har.

Programvareversjonsnummeret kan sees når Landroid er på.



3. Manuelle oppdateringer

- A. Du kan oppdatere Landroid til den nyeste programvareversjonen med en USB-pinne hvis den ikke er koblet til Wi-Fi-nettverket
- B. Gå regelmessig inn på Worx Landroid-nettsiden for å sjekke om en ny versjon er tilgjengelig. Hvis du står på Landroids e-postliste, vil du få beskjed når en ny versjon er tilgjengelig
- C. Last ned den nyeste versjonen på nettsiden vår
- D. Bruk en tom USB-pinne formatert i FAT32
- E. Lagre zip-filen, pakk den opp og overfør innholdet til USB-pinnen
- F. Sett Landroid på en sikker og jevn overflate
- G. Slå av Landroid
- H. Se på baksiden av Landroid for å finne USB-porten.
- I. Sett inn USB-pinnen i porten
- J. Sett Landroid ned på plenen igjen, innenfor arbeidsområdet som er avgrenset med grensetråden
- K. Slå på Landroid
- L. Fjern USB-pinnen når "USB" vises, uten å løfte Landroid.
- M. Oppdateringen starter automatisk og kan ta en stund. Landroid starter automatisk på nytt når oppdateringen er fullført


MERK: Sørg for at Landroid er innenfor grensen når du starter den på nytt.

DRIFTSMELDINGER

MELDING LANDROID HAN- DLING	MELDING LANDROID HANDLING
Klippe gress	Klipping av gress i henhold til klippeplanen.
Regner	Regnsensoren oppdager vann. Landroid kommer tilbake til Ladestasjon , og holder seg i denne posisjonen til den er programmert. Etter tørking vil Landroid automatisk starte nedtellingen av regnforsinkelsen og deretter gå tilbake til klippetilstanden. Hvis du vil klippe Landroid før da, er det bare å slå den av og på igjen, men bare når regnsensoren er tørr, eller hvis du helt kan eliminere regnforsinkelsen ved å sette regnforsinkelsestiden til null.
Kom hjem igjen	Behov for å lade - skjærebladet stopper på vei til basen
Lading	Vis "Lading" og prosentandelen av ladingen.
Ingen arbeidstid	Standby, må programmeres etter behov.
Jobber ikke i dag	Standby vil starte i henhold til klippeplanen.
Arbeidet utført i dag	
Områdesøk	I henhold til innstillingen for "Custom Workspace" søker Landroid
Ferdig lading	Landroid har fullført ladingen.
Nødlading	Nødlading Landroid lades i av-tilstand.

FEILMELDINGER

Av og til kan ting gå galt. Heldigvis er Landroid smart nok til å si ifra hvis det oppstår et problem, slik at du kan løse det. Hvis du er usikker, kan du gå til nettsiden vår, der du finner nyttige videoer og ytterligere brukerstøtte.

MELDING	ÅRSAK	HANDLING
	Batteridekselet er ikke lukket	Lukk batterideksele
Utenfor arbeidsområde! Trykk på "START" for å tilbake stille.	Landroid finner ikke signalet fra grenseledningen.	1. Hvis Landroid faktisk er utenfor arbeidsområdet: Slå den av og løft den innenfor arbeidsområdet. Slå på strømmen og trykk på start. 2. Sjekk om LED-lampen på ladestasjonen lyser grønt hvis Landroid faktisk er innenfor arbeidsområdet. Sjekk om grenseledningen er riktig koblet til ladestasjonen hvis lampen lyser rødt, og at ladestasjonen er koblet til et passende strømuttak. Hvis de er riktig tilkoblet er det endepunktene til grenseledningen som er feil festet og må legges på nytt.
FEIL PIN-KODE! Prøv på nytt	PIN-koden er feil.	Tast inn riktig PIN-kode eller tilbakestill PIN-koden.

Bladmotorfeil! Trykk på "START" for å tilbakestille.	Knivplaten er blokkert, for eksempel av en kvist.	Slå den av. Snu Landroid opp ned, sjekk om det er noe som hindrer knivplaten i å rotere, og fjern blokkeringen. Snu Landroid riktig vei. Slå den på. Trykk på start.
	Knivbladet er overbelastet med tykt, tett gress.	Slå den av. Ta Landroid med til et område med kort gress eller endre klippehøyden til et høyere trinn. Slå den på. Trykk på start.
Hjulmotorfeil! Trykk på "START" for å tilbakestille.	Hjulenes motor er blokkert på en eller annen måte.	Slå av strømmen og ta med Landroid til et område uten hindringer. Slå den på. Trykk på start. Slå av strømmen hvis feilmeldingen fortsatt vises. Snu Landroid opp ned og sjekk om det er noe som hindrer hjulene i å rotere. Fjern det som er i veien, snu Landroid tilbake og slå på strømmen.
Opp ned! Trykk på "START" for å tilbakestille.	Dette kan ha skjedd når Landroid kom til en skrånende overflate som gjorde at den velte.	Snu Landroid riktig vei og fjern eventuelle blokkeringer som kan ha fått Landroid til å velte.
Mower trapped! Trykk på "START" for å tilbakestille.	Landroid sitter fast.	Slå den av. Ta med Landroid til et område av plenen uten blokkeringer og slå den på. Trykk på start. Slå av strømmen hvis feilmeldingen fortsatt vises, og snu Landroid opp ned. Sjekk om det er noe som hindrer hjulene i å rotere. Fjern eventuelle hindringer, snu Landroid riktig vei og slå den på.
Klipper løftet! Trykk på "START" for å tilbakestille.	Landroid er løftet opp.	Slå den av. Ta med Landroid til et område som er fri for hindringer og slå den på. Trykk på start. Slå av strømmen hvis feilmeldingen fortsatt vises, og snu Landroid opp ned og sjekk om det er noe som kan gjøre at Landroid løftes opp. Fjern eventuelle objekter, snu Landroid riktig vei og slå den på.
Batterispenning for lav! Bytt batteri.	Batteriet er flatt.	Du må slå av Landroid og plassere den i ladestasjonen. "Nødlading" vises, og den starter å lade igjen. Hvis batterifeilen fortsatt vises, er batteriet skadet og må byttes.
Ledning mangler! Trykk på "START" for å tilbakestille.	Enheten finner ikke signalet fra grenseledningen.	Hvis LED-indikatoren er rød, må du sjekke om grenselinjen er riktig koblet til klipsen på ladestabelen Hvis problemet vedvarer: Sjekk at ikke grenseledningen har blitt klippet over.
Batteritemperatur utenfor rekkevidde! Vennligst vent.	Temperaturen er for høy (mer enn 55°C) eller for lav (mindre enn 0°C) under lading.	Plasser ladebasen i et skyggefullt område eller vent til den når normal temperatur
Finner ikke basen! Trykk på "START" for å tilbakestille.	Grenseledningen er strukket for langt (over 300 m), eller gressklipperen har ikke nok strøm til å gå tilbake til ladestasjonen.	Ta med Landroid til ladestasjonen.

<p>Klipperen er låst!</p>	<p>Når "Lock Function" er aktivert, låses Landroid som en sikkerhetsfunksjon hvis den ikke mottar signaler fra Wi-Firuteren i løpet av tre dager. Dette kan skyldes at ruterer har mistet strømmen, eller fordi du har endret WiFi-ruteren eller nettverksleverandør.</p>	<p>Koble Landroid til Wi-Fi-nettverket den opprinnelig var tilkoblet på nytt. Ta kontakt med kundeservice hvis det ikke er mulig.</p>
---------------------------	---	---

MERKNADER


- A. Sørg for at Landroid er innenfor arbeidsområdet før du slår den på.
- B. Hvis du av en eller annen grunn, for eksempel har fest eller barn som leker, vil parkere Landroid i ladestasjonen: Trykk hjem og deretter OK. Landroid går til ladestasjonen og blir der. Landroid blir nå i basen frem til neste planlagte klipping. Hvis du vil starte den på nytt, trykker du bare på start etterfulgt av OK.
- C. Hvis samme feil oppstår gjentatte ganger i samme område av plenen, kan det være et problem med grenseledningen. Se installasjonsveiledningen og sjekk at Landroid er riktig konfigurert.
- D. Hvis plenen er delt inn i to ulike områder som er forbundet med en sti som er mindre enn 1 meter bred, og det ikke er der ladestasjonen står: Ta Landroid manuelt med tilbake til ladestasjonen.
- E. Hvis Landroid oppfører seg unormalt en gang iblant kan du tilbakestille den ved å skru den av, fjerne batteriet i 30 sekunder, og deretter starte den på nytt. Ta kontakt med kundeservice hvis du ikke får løst problemet.

FEILSØKING

Følg veiledningen for feilsøk nedenfor hvis ikke Landroid fungerer som den skal. Ta kontakt med kundeservice hvis problemet vedvarer.

SYMPTOM	ÅRSAK	LØSNING
LED-lyset på ladestasjonen skruer seg ikke på.	Det er ikke strøm.	Sjekk at ladestasjonen er riktig koblet til laderen, og at laderen er koblet til et egnet strømuttak.
Det lyser rødt på ladestasjonen.	Grenseledningen er ikke tilkoblet.	Sjekk at grenseledningen er riktig koblet til ladestasjonen. Sjekk at det ikke er noen brudd på grenseledningen.
Landroid slår seg på, men knivplaten roterer ikke.	Landroid søker etter ladestasjonen.	Dette er normalt: Når Landroid trenger lading, roterer ikke knivplaten, mens den automatisk søker etter ladestasjonen.
Landroid vibrerer.	Knivplaten er ubalansert. Knivbladene kan være skadd.	Sjekk bladene og bytt de ut hvis de er skadet. Fjern rusk og fremmedlegemer fra bladene og knivplaten.
Gresset kuttes ujevnt.	Landroid fungerer ikke lenge nok om gangen til å få klippet alt gresset.	Prøv å legge til flere timer i tidsplanen for klipping.
	Klippeområdet er for stort for den Landroid-utgaven du har.	Prøv å minske klippeområdet eller øke arbeidstid
	Knivbladene er slø og ikke skarpe.	Bytt ut alle blader og skruer for å balansere knivplaten.
	Klippehøyden er satt for lav for lengden på gresset.	Øk klippehøyden og senk den så gradvis.
	Gress eller andre gjenstander har satt seg fast rundt knivplaten.	Sjekk knivplaten og fjern gress eller andre gjenstander som kan forhindre den i å rotere.
	Det har pakket seg med gress på knivplaten eller i motorrommet.	Sørg for at knivplaten enkelt kan rotere. Ta av knivplaten og fjern rusk hvis det er nødvendig.
Landroid er innenfor arbeidsområdet, og grensetråden er koblet til, men "– E1 –" vises.	Klemmene på grenseledningen er festet feil.	Ta ut endene på grenseledningen og fest de på nytt til ladestasjonen.

Den bruker mye lenger tid på å lade enn det som er anslått.	Dårlig tilkobling på grunn av rusk på lade-stripen.	Rengjør kontaktpluggene på ladestasjonen og lade-stripen på Landroid med en klut.
	Ladebeskyttelses-programmet er aktivert på grunn av for høy temperatur.	Plasser ladestasjonen i skyggen eller vent til temperaturen har sunket.
Gressklipperen lader ikke.	Det er ikke strøm.	Sjekk at strømledningen er riktig koblet til laderen, og at laderen er koblet til et egnet strømuttak. Sørg for at begge lade-stripen på gressklipperen berører midten av kontaktstripene på ladestasjonen.
Landroid har kortere klippetid mellom ladingene.	Noe sitter fast på knivplaten, skaper friksjon og øker strømforbruket.	Ta av knivplaten og rengjør den. Kanskje gresset er for høyt eller for tykt.
	Landroid rister kraftig fordi knivplaten er ubalansert.	Sjekk knivplaten og bladene, og fjern rusk og fremmedlegemer fra bladene og knivplaten. Bytt ut knivbladene.
	Batteriet er utslitt eller gammelt.	Bytt batteri.
	Arbeidstiden er over	Tilbakestill arbeidstiden
Landroid klipper ikke til riktig tid.	Klokka er ikke stilt inn på riktig tid.	Stil klokka til riktig tid.
	De programmerte klippetidene for Landroid stemmer ikke.	Endre tidsinnstillingene for når gressklipperen skal starte og stoppe.
	Prosentandelen av ukentlig kjøretid som er satt av APP har endret seg.	Angi riktig prosentandel gjennom APP.
Landroid klarer ikke å gå inn i ladestasjonen.	Miljøpåvirkninger.	Start Landroid på nytt.
	Dårlig tilkobling på grunn av rusk på lade-stripen.	Rengjør kontaktpluggene på ladestasjonen og lade-stripen på Landroid med en klut.
Det grønne lyset på ladestasjonen slås på før ladingen er fullført.	ladebasen er overopphetet eller overkjølt	Plasser ladebasen i et skyggefullt område eller vent til den når normal temperatur.
Hjulene på Landroid sklir eller glipper gjentatte ganger.	Fremmedlegemer som kvister og grener kan sitte fast under Landroid.	Fjern fremmedlegemer fra undersiden av Landroid.
	Plenen er for våt.	Vent til plenen har tørket.
Landroid går utenfor grenseledningen. Landroid klipper ikke på et område innenfor grenseledningens sone. Landroid rygger eller roterer uregelmessig nær grensetråden.	Grenseledningen til en annen Landroid- eller robotklipper er plassert for nært.	Sørg for at det er minst 1 meter klaring mellom grenseledningen til deg og naboen.
	Når det er vått kan det elektroniske signalet bli dårlig der ledningen er tilkoblet eller reparert feil.	Sjekk grenseledningens koblinger. Isoler for å få en helt vanntett tilkobling.
	Det er dårlig elektronisk signal som følge av ødelagt isolasjon.	Reparer den ødelagte grenseledningen med ledningskoblingene som følger med.
Landroid sklir ut av arbeidsområdet og ned en skråning.	Hjulene til Landroid har dårlig grep.	Sjekk at hjulene er rene, og fri for gjørme, for å oppnå best mulig grep.
Landroids operativsystem krasjer ved lading eller når den går i dvale.	Feil på programvare eller skjerm.	Start Landroid på nytt.

Landroid slår seg av når den er i ladestasjonen.	Landroid lader ikke fordi temperaturbeskyttelsen har slått seg på og slår Landroid av.	Plasser ladestasjonen i skyggen eller vent til temperaturen har sunket.
	Dårlig forbindelse.	Sjekk LED-lyset på ladestasjonen. Sjekk tilkoblingen mellom kontaktpluggene på ladestasjonen og lade-stripen.
Landroid stopper på arbeidsområdet.	Det er en hindring på arbeidsområdet.	Fjern hindringen fra Landroids arbeidsområde.
	Klippehøyden er satt for lav for lengden på gresset, eller gresset er for tykt.	Øk klippehøyden og senk den så gradvis.
	Den utvidede grenseledningen må ikke være lenger enn 350 m, ellers kan det føre til signalproblemer.	Reduser lengden på grenseledningen.
	Avstanden fra midt på plenen og til grenseledningen skal ikke være mer enn 25 m, ellers kan det føre til svekkelse av signalene.	Reduser avstanden mellom midten av plenen og grenseledningen slik at den er innenfor 25 m.
Landroid velter.	Det er en skråning på plenen.	Fjern hindringen fra Landroids arbeidsområde.
Landroid vil ikke koble seg til internett.	Sjekk at ruterer er riktig stilt inn.	Sørg for at ruterer er 2,4GHz. Aktiver 2,4GHz-båndet hvis ruterer har to innstillinger. Sørg for at ruterer er satt til 802.11-modus og at den trådløse innstillingen er b/g/n blandet. Sjekk at ruterer har SSID-sendefunksjonen aktivert når du kobler maskinen til appen. Du kan lukke den etter at du har koblet til. Sørg for at DHCP-funksjonen er aktivert. Hvis du har gjort endringer på Wi-Fi-nettverket, må du koble Landroid til det nye nettverket. Hvis du har en "Fritz!box" -ruter, sørg for at "Tillat kommunikasjon mellom enheter på samme nettverk" er aktivert i innstillingene.
	Kontroller om ruterer er koblet fra eller WIFI SSID er endret	Forsikre deg om at ruterer er tilkoblet og WIFI SSID er riktig
Når du justerer "Måned / time / minutt", vil Landroid pippe,	Dette er normalt	Mot klokken  for å justere.

MILJØVERNILTAK



Avfall etter elektriske produkter må ikke legges sammen med husholdningsavfall. Vennligst resirkuler avfallet der dette finnes.

■ Undersøk hos de lokale myndighetene eller en detaljist for resirkuleringsråd.

SAMSVARERKLÆRING

Vi,
Positec Germany GmbH
Grüner Weg 10, 50825 Cologne, Germany

På vegne av Positec erklær at produktet,

Beskrivelse **Robot-gressklipper**

Type **WR165E WR167E WR148E WR147E.1 (100-199 - typebetegnelse til maskin, Robot-gressklipper)**

(Serienummeret er plassert på baksiden) med batterilader WA3775 / WA3776 / WA3750.1/WA3755.1 og ladebase WA4002.1

Funksjon **Gressklipping**

Samsvarer med følgende direktiver,

2006/42/EC, 2014/30/EU, 2014/35/EU, 2011/65/EU&(EU)2015/863, 2000/14/EC revidert ved 2005/88/EC, 2014/53/EU

WR165E WR167E

2000/14/EC revidert ved 2005/88/EC

- Tilpassningsbedømmelse Utført ifølge **Anneks V**
- Målt Lydkraftniv **65.5 dB (A)**
- Erklært Garantert Lydkraftniv **67 dB (A)**

WR148E WR147E.1

2000/14/EC revidert ved 2005/88/EC

- Tilpassningsbedømmelse Utført ifølge **Anneks V**
- Målt Lydkraftniv **61.56 dB (A)**
- Erklært Garantert Lydkraftniv **63 dB (A)**

Den notifikerte gruppen involvert

Navn: Intertek, Semko AB (Den notifikerte gruppen involvert 0413)

Adresse: Torshamnsgatan 43164 22 Kista Sweden

Sertifiseringsnr.: 201002326SHA-V1

Standardene samsvarer med,

**EN 60335-1:2012+A11+A13+A14+A2:2019, EN 50636-2-107:2015+A1+A2:2020,
EN 60335-2-29:2004+A2+A11:2018, EN 62233:2008, EN 55014-1:2017+A11:2020,
EN 55014-2:2015, EN IEC 61000-3-2:2019, EN 61000-3-3:2013+A1:2019, EN ISO 3744:2005,
EN 300 328 V2.2.2, EN 301 489-1 V2.2.3, EN 301 489-17 V3.2.4, EN IEC 62311:2020,
EN 61558-1:2005+A1:2009, EN 61558-2-16:2009+A1:2013,
EN 55011:2016+A11:2020,
EN 303 447 V1.1.1
EN 55032:2015+A11:2020, EN 55035:2017+A11:2020**

Personen som er autorisert til å utarbeide den tekniske filen,

Navn Marcel Filz

Adresse Positec Germany GmbH, Grüner Weg 10, 50825 Cologne, Germany



2020/12/02

Allen Ding

Visesjefsingeniør, Testing og Sertifisering

Positec Technology (China) Co., Ltd

18, Dongwang Road, Suzhou Industrial

Park, Jiangsu 215123, P. R. China

SÄKERHETSINSTRUKTIONER

ALLMÄNNA & SPECIFIKA SÄKERHETSINSTRUKTIONER

⚠ VARNING Läs igenom alla varningar och säkerhetsinstruktioner. *Underlåtelse att beakta varningar och säkerhetsinstruktioner kan leda till elstöt, brand och/eller allvarlig personskada.*

Läs noga igenom instruktionerna för att kunna använda enheten på ett säkert sätt.

Spara alla varningar och säkerhetsinstruktioner för framtida referens.

- Denna apparat är inte avsedd att användas av personer (inklusive barn) med nedsatt fysisk, sensorisk eller mental förmåga, eller bristande erfarenhet och kunskap, såvida de inte har fått instruktioner om hur apparaten används eller övervakas av en person som ansvarar för deras säkerhet.

- Barn måste övervakas för att säkerställa att de inte leker med apparaten.

- Apparaten bör endast användas med det medföljande nätaggatet.

- Batteriet i denna enhet kan endast bytas ut av skicklig personal.

VARNING: För att ladda batteriet, använd endast den avtagbara strömförsörjningsenheten som medföljer enheten.

VARNING: För att minska risken för personskador och att maskinen skadas, avlägsna inte batteripaketet innan maskinen är avstängd.

VIKTIGT

LÄS NOGA FÖRE ANVÄNDNING

SPARA FÖR FRAMTIDA REFERENS

Säker användningspraxis

Utbildning

- Läs noga igenom bruksanvisningen. Se till att du har förstått instruktionerna och sätt dig in i kontrollerna och hur man använder enheten på rätt sätt.
- Låt aldrig barn eller personer som inte satt sig in i dessa instruktioner använda enheten. Det kan finnas lokala bestämmelser med åldersgräns för operatören.
- Operatören eller användaren ansvarar för olyckor eller faror som drabbar andra personer eller deras egendom.

Förberedelser

- Kontrollera att det automatiska avgränsningssystemet är korrekt installerat i enlighet med de givna instruktionerna.
- Inspektera regelbundet området där apparaten ska användas och avlägsna alla stenar, pinnar, trådar och andra främmande föremål.
- Inspektera regelbundet blad, bladbulvar och klippenhet visuellt för att säkerställa att de inte är slitna eller skadade. Byt ut slitna eller skadade blad och bulvar uppsättningsvis för att bibehålla balansen.
- Var försiktig med maskiner som har flera blad, eftersom ett roterande blad kan få även de övriga bladen att rotera.
- VARNING!** Gräsklipparen skall ej användas utan att skyddet finns på plats.

Drift

1. Allmänt

- Använd aldrig enheten med trasiga skydd eller utan att säkerhetsanordningar som t.ex. deflektorer sitter på plats.
- Placera inte händer eller fötter nära eller under roterande delar. Ställ dig aldrig ivägen för utloppsöppningen.
- Lyft aldrig upp och bär inte enheten medan motorn är igång.
- Använd avaktiveringsanordningen från apparaten

- Innan du tar bort något som fastnat
- Innan du inspekterar, rengör eller reparerar enheten
- e) Det är inte tillåtet att modifiera robotgräsklipparens originalutformning. Alla modifieringar görs på egen risk.
- f) Starta robotgräsklipparen enligt instruktionerna. När strömbrytaren befinner sig i läget ON (på), var noga med att hålla händer och fötter borta från de roterande bladen. För aldrig in händer eller fötter under gräsklipparen.
- g) Lyft aldrig upp robotgräsklipparen och bär inte runt den medan strömbrytaren befinner sig i läget ON (på).
- h) Låt inte personer som inte vet hur robotgräsklipparen fungerar, använda den.
- i) Lagg ingenting ovanpå robotgräsklipparen eller dess laddningsstation.
- j) Använd inte robotgräsklipparen med en defekt bladskiva eller stomme. Använd den inte heller med defekta blad, skruvar, muttrar eller sladdar.
- k) Stäng alltid av robotgräsklipparen med strömbrytaren när du inte tänker använda den. Robotgräsklipparen kan bara starta när strömbrytaren förs till läget ON (på) och rätt PIN-kod har angetts.
- l) Håll dina händer och fötter borta från de roterande bladen. Placera aldrig dina händer och fötter nära eller under chassiet när den robotliknande gräsklipparen är i drift.
- m) Undvik användning av maskinen och dess kringutrustning i dåliga väderförhållanden, särskilt vid risk för åsknedslag.
- n) Vidrör inte de farliga delar när de är i rörelse förrän de har stannat helt.
- o) För maskiner som används på offentlig yta, ska varningsskyltarna placeras runt maskinens arbetsyta. De ska visa följande text:
Varning! Automatisk gräsklippare! Håll dig borta från maskinen! Håll koll på barnen!

2. När robotgräsklipparen körs automatiskt

- a) Låt inte enheten köra automatiskt utan övervakning på områden där det finns husdjur, barn eller andra personer.

Underhåll och förvaring

WARNING! När du vänder upp och ner på robotgräsklipparen måste strömbrytaren alltid vara inställd på OFF.

Strömbrytaren måste alltid vara inställd på OFF vid allt arbete under robotgräsklipparens ram, som t.ex. rengöring eller utbyte av blad.

- a) Se till att alla muttrar, bultar och skruvar är ordentligt åtdragna så att enheten hålls i säkert bruksskick.
- b) Inspektera robotgräsklipparen varje vecka och byt ut slitna eller skadade delar för säkerhets skull.
- c) Kontrollera i synnerhet att varken blad eller bladskiva är skadade. Byt ut alla blad och skruvar uppsättningsvis, så att de roterande delarna behåller sin balans.
- d) Se till att endast använda klippdelar av rätt typ vid utbyte.
- e) Ladda endast batteriet med den laddare som rekommenderas av tillverkaren. Delaktig användning kan leda till elstöt, överhettning eller läckage av frätande vätska från batteriet.
- f) Om elektrolyt skulle läcka ut, spola med vatten/neutraliserande medel, och uppsök läkare om elektrolyten kommer i kontakt med ögon osv.
- g) Service av enheten måste utföras i enlighet med tillverkarens instruktioner.

Rekommendation

Koppla enbart maskinen och/eller dess kringutrustning till eluttag som skyddas av jordfelsbrytare med en felström som inte mer än 30 mA.

Övriga risker

För att undvika skador bör du använda skyddshandskar när du byter bladen.

Transport

Använd originalförpackningen om robotgräsklipparen ska transporteras en längre sträcka. Så här lämnar/går du in i arbetsområdet på ett säkert sätt:

- a) Tryck på STOP knappen för att stoppa klipparen.
Du valde den fyra siffrorna i PIN-koden när du startade klipparen första gången.
- b) Stäng alltid av robotgräsklipparen om du avser att bära den.
- c) Du bär robotgräsklipparen i handtaget som sitter på framsidan på robotgräsklipparen. Bär robotgräsklipparen så att bladskivan är bortvänd från din kropp.

Krav för RF-exponering

För att uppfylla kraven för RF-exponering, krävs det att ett separationsavstånd på 200mm eller mer upprätthålls mellan denna apparat och människor då apparaten används.

För att säkerställa överensstämmelse, rekommenderas ingen användning som sker på närmare håll än detta avstånd. Antennen som används för denna sändare får inte finnas på samma plats i anslutning till någon annan antenn eller sändare.

Säkerhetsföreskrifter för batteriet

- a) **Ta inte isär batteriet, öppna inte heller batteriet eller sära på battericeller.**
- b) **Kortslut inte batteriet. Förvara inte batteriet på ett slarvigt sätt i en låda där det kan kortslutas eller skadas av ledande material. När batteriet inte används, håll det borta från metallobjekt, såsom pappersgem, pengar, nycklar, naglar, skruvar eller andra små metallobjekt som kan leda ström från en terminal till en annan. Om batteriterminalerna kortsluter varandra kan de förorsaka brandrisk.**
- c) **Exponera inte batteriet för eld eller värme. Undvik förvaring i direkt solljus.**
- d) **Utsätt inte batteriet för mekanisk chock.**
- e) **Om batteriet läcker, låt inte vätskan komma i kontakt med hud eller ögon. Om så ändå skulle hända, skölj med mycket vatten och sök läkarhjälp.**
- f) **Sök omedelbar läkarhjälp om någon har svält en battericell eller batteriet.**
- g) **Håll batteriet rent och torrt.**
- h) **Torka av batteriet om det blir smutsigt med en torr, ren trasa.**
- i) **Batteriet måste laddas före användning. Använd den här bruksanvisningen för att ladda batteriet korrekt.**
- j) **Låt inte batteriet stå på laddning när det inte används.**
- k) **Efter lång tids användning kan det bli nödvändigt att ladda och ladda ur batteriet många gånger för att nå maximal prestanda.**
- l) **Ladda endast med laddare av varumärket Worx. Använd ingen annan laddare än den som specifikt ska användas med det här batteriet.**
- m) **Använd inte ett batteri som inte är avsett för användning med det här verktyget.**
- n) **Håll batteriet borta från barn.**
- o) **Behåll den ursprungliga bruksanvisningen för framtida användning.**
- p) **Plocka ur batteriet från verktyget då det inte används.**
- q) **Kassera batteriet på rätt sätt.**
- r) **Blanda inte batterier med olika tillverkning, kapacitet, storlek eller typ i enheten.**
- s) **Ta inte bort batteriet från originalförpackningen tills det behövs.**
- t) **Observera plus (+) och minus (-) märkena på batteriet för att säkerställa korrekt användning.**

INFORMATION OM LANDROID



VARNING – ROBOTGRÄSKLIPPARE kan vara farliga om de används på fel sätt. Läs noga igenom bruksanvisningen och sätt dig in i dess innehåll innan du använder din ROBOTGRÄSKLIPPARE.



VARNING – Håll ett säkerhetsavstånd från enheten när den är igång.



VARNING – Stäng av enheten innan du utför arbete på den eller lyfter upp den.



VARNING – Åk inte på enheten.



Li-Ion

Litiumjonbatteri, som har blivit märkt med symbolerna i samband med "separat samling" av alla batteripack och batteripaket. Det återvinns eller tas bort för att minska miljöpåverkan. Batterier kan vara skadliga för miljön och människors hälsa eftersom de innehåller skadliga ämnen



Kasta inte in i eld.



Batterier kan komma i kontakt med vattensystemet om de avyttras felaktigt, vilket kan vara farligt för ekosystemet. Kasta inte förbrukade batterier i de vanliga hushållssoporna.



Demontera inte maskinen utan tillstånd



Elektriska avfallsprodukter får inte kasseras med hushållsavfallet. Återvinn på återvinningscentraler. Kontakta dina lokala myndigheter eller återförsäljaren för återvinningsråd.



Klass III-apparat



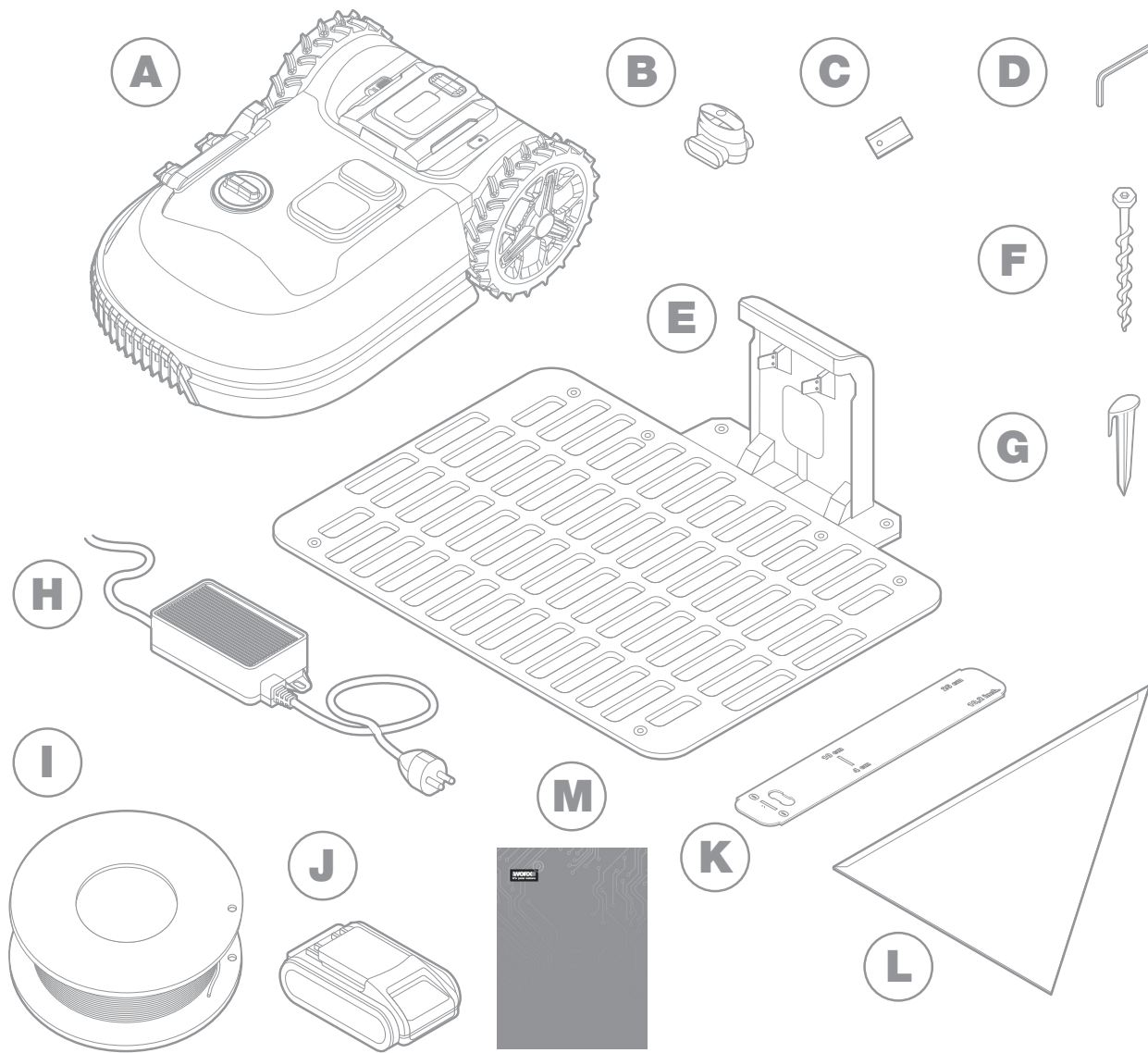
Läs bruksanvisningen



Avtagbar matningsenhet

Din Landroid kan användas ihop med annan Worx kringutrustning. Besök www.worxlandroid.com för att lära dig mer om de utrustningsalternativ som finns tillgängliga.

**KOMPONENTLISTA
VAD FINNS I KARTONGEN**



Bilen är endast för referens

A Worx Landroid

B Skarvdon för kabel

C Extra knivar

D Hex nyckel

E Laddstation

F Skruvar

G Laddningshög

H Kabelmärlor

I Nätaggregat

J Begränsningskabel

K Batteri 20V

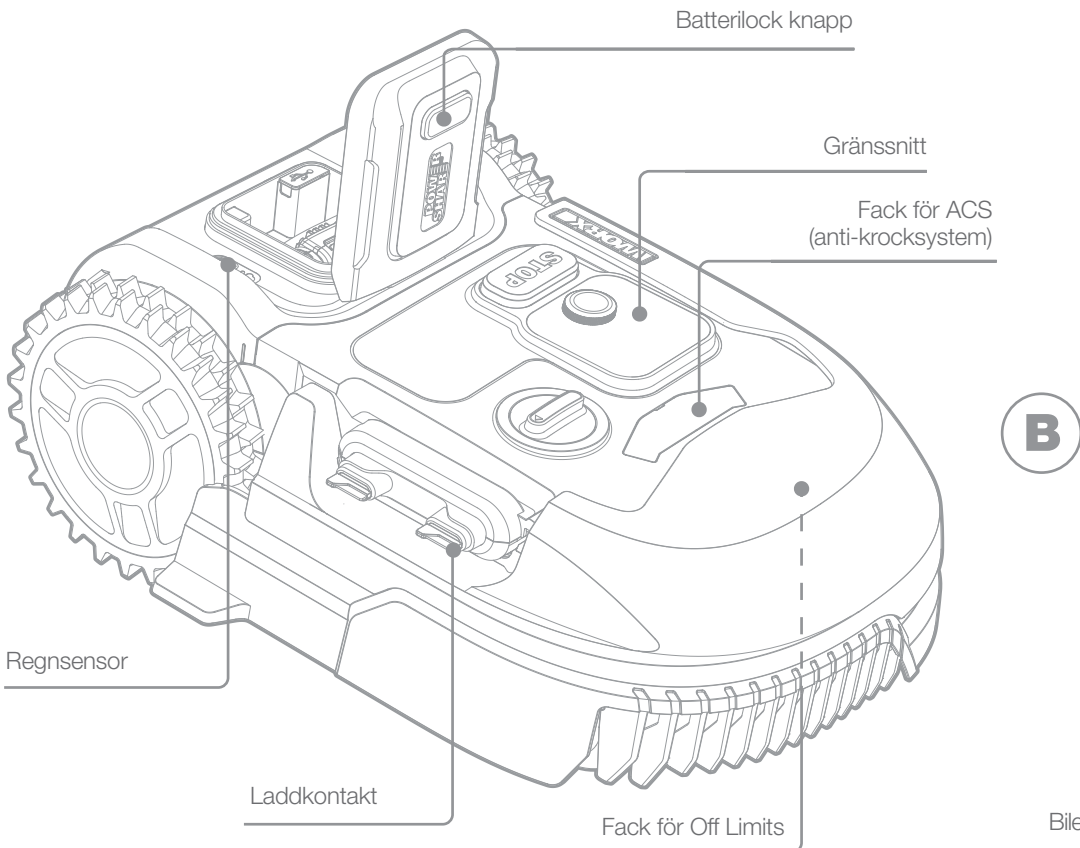
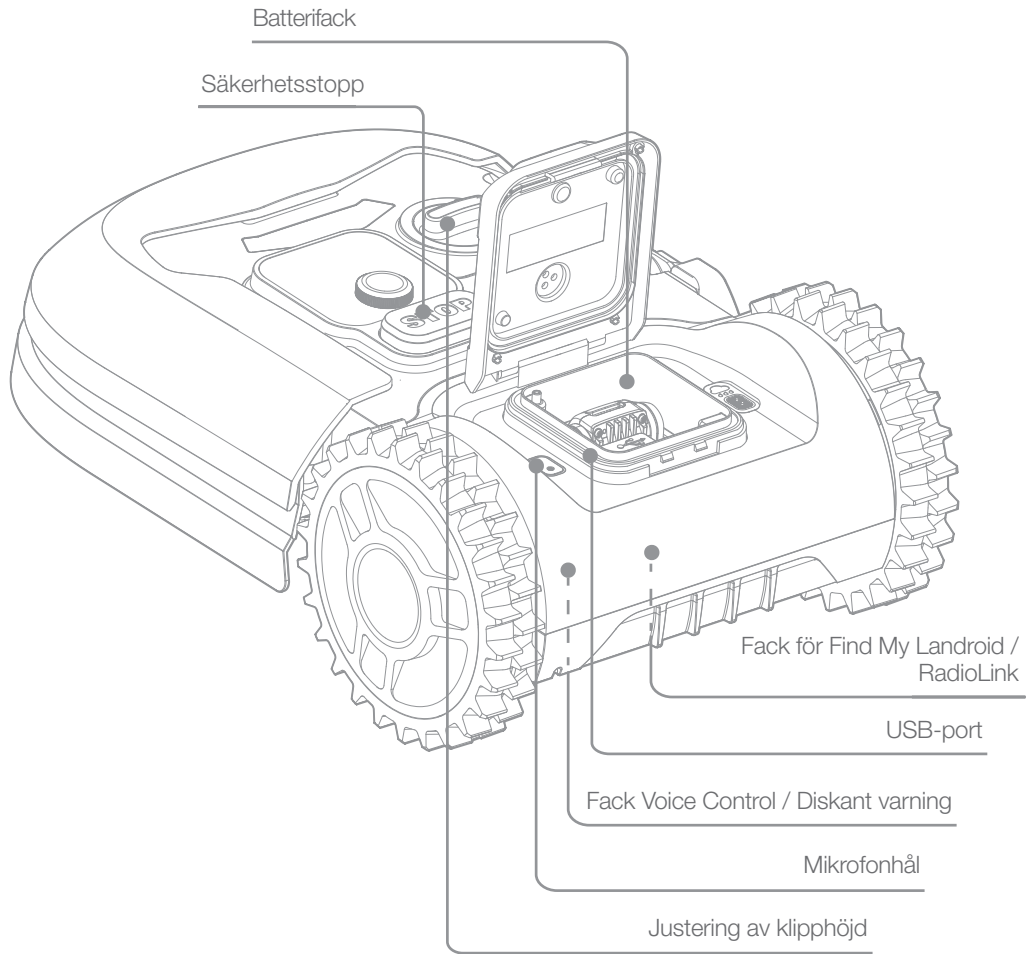
L Avståndsmätare för begränsningskabel

M Vinkellinjal

N Manuell

LÄR KÄNNA LANDROID

A



B

Bilen är endast för referens

TEKNISKA DATA

Typ **WR165E WR167E WR148E WR147E.1 (100-199 - maskinbeteckning, anger Gräsklipparrobot)**
Lawnmower)

	WR165E	WR167E	WR148E	WR147E.1
Märkspänning	20 V Max.*			
Hastighet utan belastning (/min)	2800		2400	
Klippområde (m ²)	500	700	800	1000
Klippdiameter (cm)	18		20	
Klipphöjd (mm)	30-60			
Klipphöjdslägen	4			
Batterityp	Litium-jon			
Batterimodell	WA3551.3	WA3553.3	WA3551.3	WA3553.3
Laddningstid cirka (mins)	75	150	75	75
Laddarmodell	WA3750.1/ WA3755.1			WA3775 / WA3776
Laddargradering	Ineffekt: 100-240 V~50/60 Hz, 38 W, Uteffekt: 20V , 1.5 A			Ineffekt: 100-240 V~50/60 Hz, 90 W, Uteffekt: 20 V , 3.0 A
Enhetsvikt (kg)	9.5	9.8	11.7	12
Skyddsklass	III			
App (Wifi / Bluetooth)	Y			
Frekvensband i inbyggd WLAN-modul	2.412GHz-2.484GHz			
Max. RF-effekt i inbyggd WLAN-modul	802.11b: +16±2dBm(@11Mbps) 802.11g: +14±2dBm(@54Mbps) 802.11n: +13±2dBm(@HT20, MCS7)			
Frekvensband för det induktiva loop-systemet	77 Hz			
Maximal RF-effekt i det induktiva loop-systemet	82 dBµA/m			

* Spänning uppmätt utan belastning. Initial batterispänning är max. 20 V. Nominell spänning är 18 V.

BULLERINFORMATION

	WR165E	WR167E	WR148E	WR147E.1
A-viktat ljudtryck	$L_{pA} = 45.5 \text{ dB(A)}$		$L_{pA} = 40.68 \text{ dB(A)}$	
	$K_{pA} = 0.6 \text{ dB(A)}$		$K_{pA} = 1.36 \text{ dB(A)}$	
A-viktad ljudnivå	$L_{wA} = 65.5 \text{ dB(A)}$		$L_{wA} = 61.56 \text{ dB(A)}$	
	$K_{wA} = 0.6 \text{ dB(A)}$		$K_{wA} = 1.36 \text{ dB(A)}$	
Bär hörselskydd när ljudtrycket är högre än 80 dB (A).				

Ett visst mått av buller från maskinen kan inte undvikas. Återkommande bullerarbete ska licensieras och begränsas under vissa perioder. Att hålla viloperioder och begränsa arbetstiden till ett minimum kan även behövas. För personligt skydd och för skydd av personer som jobbar i närheten skall lämpligt hörselskydd bäras.

TILLBEHÖR

	WR165E	WR167E	WR148E	WR147E.1
Fästspikar för laddningsbas	9	9	9	9
Gränstråd	1	1	1	1
Ledningspluggar	8	8	8	8
Hex nyckel	130m	150m	150m	180m
Avståndsmätare för gränstråd	180	210	210	250
Blad	1	1	1	1
Ledningsskarv	2	2	2	2
Blade	9	9	9	9
Connector	2	2	2	2
Batteripaket (WA3551.3)	1	/	1	/
Batteripaket (WA3553.3)	/	1	/	1
Laddning (WA3750.1/ WA3755.1)	1	1	1	/
Laddning (WA3775 / WA3776)	/	/	/	1

Vi rekommenderar att du endast köper originaldelar enligt ovanstående lista från den butik där du köpte enheten. Se tillbehörsförpackningen för mer information. Butikspersonalen kan hjälpa dig och ge råd.

ÄNDAMÅLSENLIK ANVÄNDNING

Denna gräsklippare är avsedd för hemmabruk. Den är konstruerad att klippa ofta och hålla gräsmatta finare och i bättre form än någonsin. Beroende på din gräsmattas storlek kan Landroid programmeras att arbeta när som helst eller regelbundet. Den är inte avsedd för grävning, sopning eller snöröjning.

UNDERHÅLL

Din Landroid jobbar hårt och behöver rengöras och kontrolleras då och då. Detta avsnitt i bruksanvisningen hjälper dig att hålla din Landroid i gott skick, så att den håller i årtal utan problem. Så här sköter du om din Landroid: Stäng av maskinen innan du utför service eller underhåll.

BEHÅLL SKÄRPAN

Landroid klipper inte gräset som andra gräsklippare. Knivarna är rakbladsvassa på två sidor och roterar i båda riktningarna för maximal klippkapacitet.

A. Knivskivan roterar slumpmässigt medsols eller motsols så att eggen på vardera sidan används, vilket innebär att knivarna inte behöver bytas så ofta.

B. Varje kniv behåller skärpan i upp till 2 månader när daglig klippning är inprogrammerad.

C. Kontrollera alltid knivarna och byt dem om hack eller andra skador finns.

D. När knivarna är slöa och uttjänta ska de bytas ut mot de extraknivar som medföljer din Landroid. Extraknivar hittar du också hos din närmaste Landroid-återförsäljare.

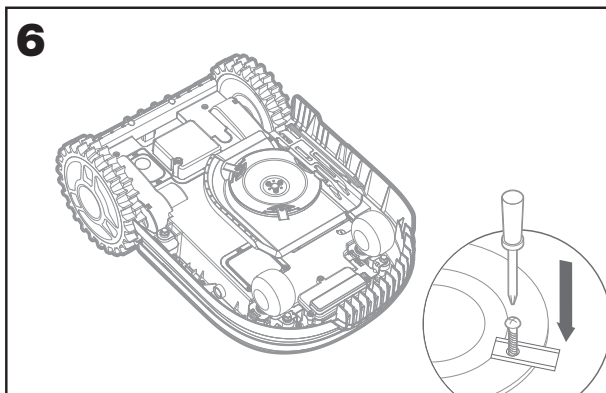
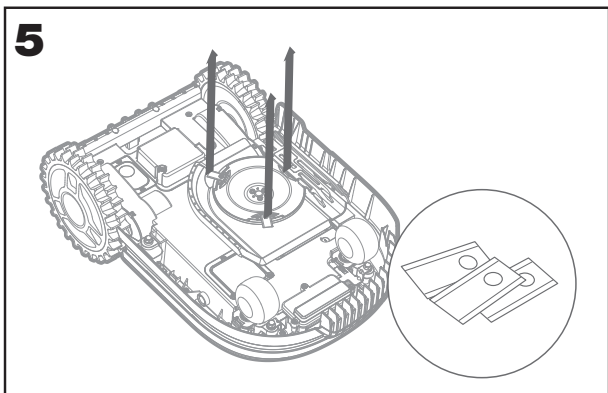
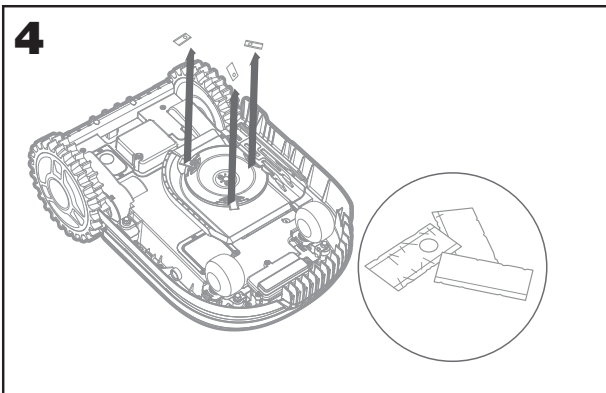
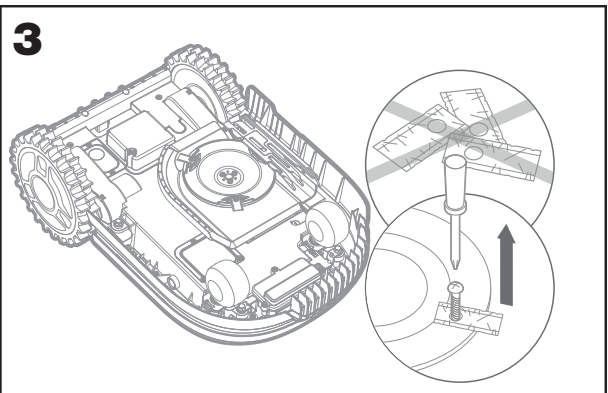
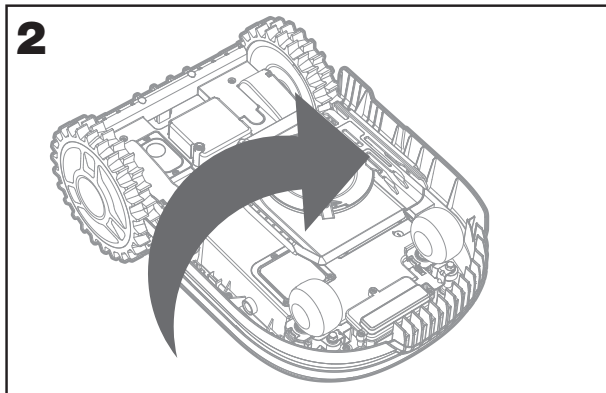
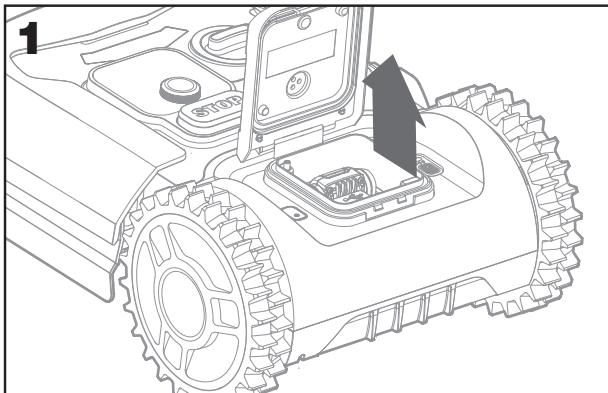
⚠ VARNING! Före rengöring, justering eller byte av knivar måste Landroid stängas AV och batteriet tas bort. Använd alltid skyddshandskar.

1. Byta knivar

Avlägsna batteriet (fig. 1) och vänd försiktigt på Landroid (fig. 2).

Lossa skruvarna från knivarna med en skruvmejsel (fig. 3-4)

Skruva fast de nya knivarna ordentligt (fig. 5-6).



⚠ Observera: När du byter knivar, se till att byta ut SAMTLIGA knivar.

Använd alltid nya skruvar när du fäster knivarna. Detta är viktigt för att knivarna ska sitta fast och för att balansera knivskivan. Om du inte använder nya skruvar kan det leda till allvarlig skada.

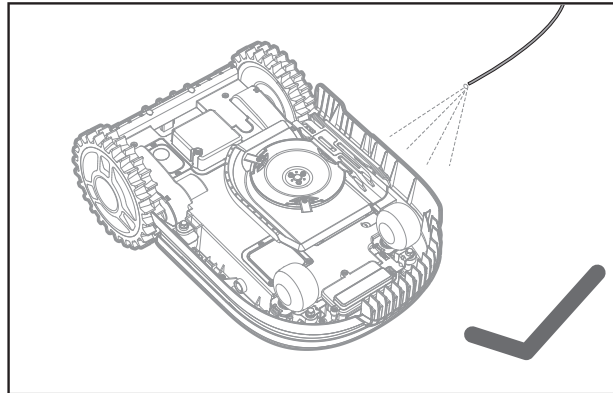
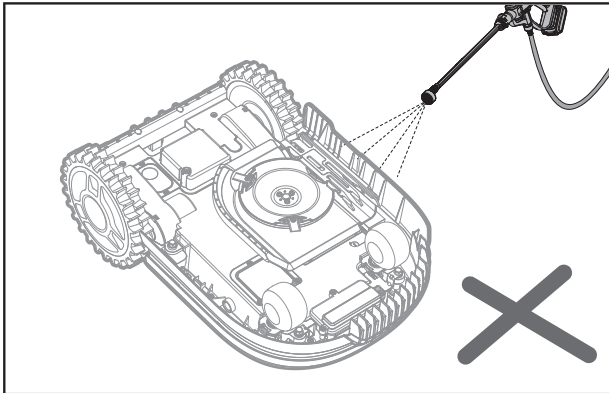
Viktigt: När en kniv har skruvats fast på knivskivan ska du kontrollera att kniven kan rotera fritt.

RENGÖRING

Din Landroid ska rengöras regelbundet. Detta bidrar till att hålla den i gott skick, och särskilt viktigt är att ta bort jord, skräp och gräsavlagringar. Stäng av din Landroid innan du rengör den. För extra säkerhet ska du även ta bort batteriet.

⚠ Obs: När du rengör Landroid, se till att batteriluckan är stängd.

⚠ VARNING! DIN Landroid kan endast rengöras med en slang! Använd INTE högtryckstvätt på Landroid. Vatten med högt tryck kan komma in i tätningens inre och skada elektroniska och mekaniska delar.



1. Rengöra det övre chassit

- A. Rengör genom att spreja vatten med en sprejflaska. Använda inga lösnings- eller polermedel.
- B. Avlägsna smuts med en borste eller en ren trasa.

2. Rengöra undersidan

- A. Vänd Landroid upp och ner.
- B. Ta bort skräp och gräsklipp med en borste.
- C. Var försiktig och vidrör inte knivarna med händerna. Använd skyddshandskar.
- D. Rengör knivskiva, chassi och framhjul noga med en mjuk borste eller en fuktig trasa.
- E. Snurra på knivskivan och kontrollera att den roterat fritt. Ta bort alla eventuella blockeringar. Ta bort ansamlad skräp så att det inte orsa kar sprickor i knivskivan. Även den tunnaste spricka påverkar prestandan vid klippningen.
- F. Kontrollera att knivarna snurrar fritt kring skruvarna som de är fastsatta med. Ta bort alla eventuella blockeringar.

3. Rengör drivhjulen.

- A. Avlägsna lera från hjulen med en borste, så att de kan få ett bra grepp.

4. Rengöra laddstiften

- A. Rengör kontaktstiften på laddstationen och laddningsremsorna på Landroid med en trasa.
- B. Avlägsna regelbundet gräsavlagringar och skräp som kan finnas kring kontaktstiften och laddningsremsorna så att Landroid alltid kan laddas.

LADDNING

Landroids hjärta är Li-jonbatteriet Worx Powershare 20 V.

- A. För korrekt hantering av batteriet ska det vara fulladdat och förvaras på en sval och torr plats mellan.
- B. Den rekommenderade driftstemperaturen för Landroid är 0–55 °C.
- C. Livslängden för Landroids batteri beror på hur många timmar det används och hur länge det används per dag under klippningssäsongen.

1. Landroid kan laddas manuellt utan begränsningskabeln.

- A. Anslut laddstationen till ett lämpligt eluttag. Den gröna lampan på laddstationen tänds.
- B. Se till att Landroid är avstängd och docka den manuellt till laddstationen.
- C. Den gröna lampan på laddstationen börjar blinka när laddningen av Landroid startar.

VINTERFÖRVARING

Även om Landroid är utformad och byggd för att klara de svåraste väderförhållandena rekommenderar vi starkt att du förvarar den i ett uthus eller garage över vintern. Förbereda Landroid för vintervilan:

- A. Rengör den noga.

- B. Se till att batteriet är fulladdat.
- C. Stäng av strömmen.

1. När våren kommer

När det är dags för Landroid att börja jobba igen ska du göra följande kontroller:

- A. Uppdatera tid och datum via appen.
- B. Om du upptäcker några tecken på oxidering på laddkontaktarna på Landroid och laddstationen ska du rengöra dem med finkornigt sandpapper.
- C. Landroids batteri ska vara fulladdat innan gräsklipparen tas i drift.

UPPDATERA

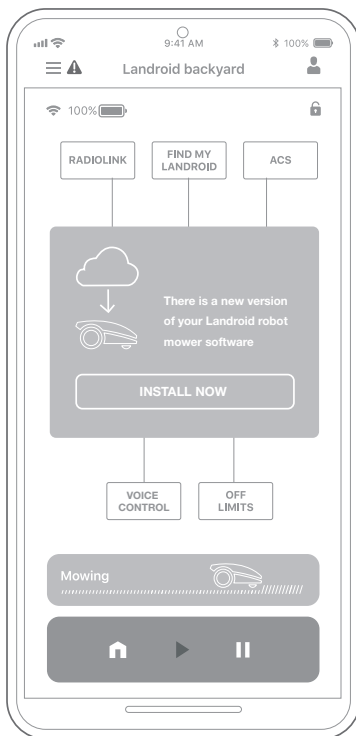
Landroid förbättras ständigt och nya programvaruversioner tillhandahålls gratis. Håll alltid Landroids programvara uppdaterad så att du kan utnyttja din gräsklippare till fullo.

1. Trådlösa uppdateringar (OTA)

Om din Landroid är ansluten till ditt WiFi-nätverk blir du meddelad via appen när ny programvara finns tillgänglig. När du har bekräftat sker uppdateringen automatiskt och trådlöst.

2. Kontrollera vilken programvaruversion du har.

Programvarans versionsnummer kan ses när Landroid är startad.



3. Manuella uppdateringar

- A. Även om din Landroid inte är ansluten till ditt WiFi-nätverk kan du uppdatera till den senaste programvaruversionen via ett USB-minne.
- B. Besök Worx Landroid-webbplatsen regelbundet och kolla om någon ny version är tillgänglig. Om du prenumererar på Landroids nyhetsmejl får du veta när en ny version är tillgänglig.
- C. Ladda ner den senaste programvaruversionen från vår webbplats
- D. Ta ett tomt, FAT32-formaterat USB-minne.
- E. Spara zip-filen på USB-minnet.
- F. Placera Landroid på en stabil, plan yta.
- G. Stäng av Landroid.
- H. Lokalisera USB-porten, som sitter på baksidan av Landroid.
- I. Stick in USB-minnet i porten.
- J. Placera Landroid på gräsmattan igen, inom arbetsområdet som ringas in av kabelslingan.
- K. Starta Landroid.
- L. Utan att lyfta upp Landroid tar du ut USB-minnet när "USB" visas på skärmen.
- M. Uppdateringen startar automatiskt och kan ta ett litet tag. Landroid startar om automatiskt när uppdateringen är klar.


OBS: Kontrollera att Landroid befinner sig innanför kabelslingan innan den startas om.

DRIFTSMEDDELANDEN

MEDELANDE LANDROID ÅTGÄRD	MEDELANDE LANDROID ÅTGÄRD
Klippa gräs	Klippning av gräs enligt klippscemat.
Regnar	Regrsensorn känner av vatten. Landroid återgår till Laddstation och förblir i denna position tills den är programmerad. Efter torkning startar Landroid automatiskt nedräkningen av regnfördröjningen och återgår sedan till klippningstillståndet. Om du vill klippa Landroid innan dess är det bara att stänga av den och slå på den igen, men bara när regnsensorn är torr, eller så kan du helt eliminera regnfördröjningen genom att ställa in regntiden till noll.
Kom tillbaka hem	Behöver laddas - skärbladet stannar på vägen till basen
Laddning	Visa "Laddning" och laddningsprocenten.
Inga arbetstider	Vänteläge, måste programmeras efter behov.
Jobbar inte idag	Standby startar enligt klippplanen.
Arbetet gjort idag	
Områdesökning	Enligt inställningen för "Anpassad arbetsyta" söker Landroid
Slutförd laddning	Landroid har slutfört laddningen.
Nödladdning	Nödladdning Landroid laddas i avstängt läge.

FELMEDDELANDEN

Ibland blir det fel. Lyckligtvis är Landroid smart nog att meddela dig om ett problem skulle uppstå, så att du kan åtgärda det. Om du är osäker kan du besöka vår webbplats, där du hittar informativa videor och ytterligare support.

MEDDELANDE	ORSAK	ÅTGÄRD
	Batteriluckan är inte stängd	Stäng batteriluckan
Utanför arbetsområde! Tryck på "START" för att återställa.	Landroid kan inte upptäcka signalen från begränsningskabeln.	1. Om Landroid befinner sig utanför sitt arbetsområde: stäng av strömmen, flytta in gräsklipparen i arbetsområdet, slå på strömmen och tryck på START. 2. Om Landroid befinner sig i sitt arbetsområde ska du kontrollera om LED-lampan på laddstationen lyser med fast grönt sken. Om lampan är röd, kontrollera att begränsningskabeln är ordentligt ansluten till laddstationen och att laddstationen är ansluten till ett lämpligt eluttag. Om alla anslutningar är korrekta sitter begränsningskabelns ändrar fel i klämmorna och måste byta plats med varandra.
FEL PIN-KOD! Försök igen	Fel PIN-kod har angetts.	Ange korrekt PIN-kod eller ställ in din PIN-kod igen.
Fel på bladmotor! Tryck på "START" för att återställa.	Knivskivan blockeras av ett föremål, till exempel en kvist.	Stäng av strömmen. Vänd Landroid upp och ner och kontrollera att ingenting hindrar knivskivan från att rotera. Ta bort alla eventuella blockeringar. Vänd Landroid rätt igen. Slå på strömmen. Tryck på START.
	Kniven är överbelastad av tjockt och tätt gräs.	Stäng av strömmen. Flytta Landroid till ett område med kort gräs, eller justera klipphöjden till en högre inställning. Slå på strömmen. Tryck på START.
Fel på hjulmotor! Tryck på "START" för att återställa.	Hjulmotorn är av någon anledning blockerad.	Stäng av strömmen och flytta Landroid till ett område som är fritt från hinder. Slå på strömmen. Tryck på START. Om felmeddelandet fortfarande visas, stäng av strömmen. Vänd Landroid upp och ner och kontrollera att inget hindrar hjulen från att snurra. Ta bort eventuella hinder, vänd Landroid rätt igen och slå på strömmen.
Upp och ned! Tryck på "START" för att återställa.	Detta kan ha inträffat om Landroid befunnit sig på en sluttande yta som fått den att hamna upp och ner.	Vänd Landroid rätt igen och ta bort alla eventuella hinder som kan ha fått Landroid att hamna upp och ner.
Gräsklipparen har fastnat! Tryck på "START" för att återställa.	Landroid sitter fast.	Stäng av strömmen. Flytta Landroid till en del av gräsmattan som är fri från hinder och slå sedan på strömmen. Tryck på START. Om felmeddelandet fortfarande visas: stäng av strömmen och vänd Landroid upp och ner. Kontrollera att inget hindrar hjulen från att snurra. Ta bort alla eventuella blockeringar, vänd Landroid rätt igen och slå på strömmen.
Gräsklipparen lyft! Tryck på "START" för att återställa.	Landroid har lyfts upp.	Stäng av strömmen. Flytta Landroid till ett område som är fritt från hinder och slå på strömmen. Tryck på START. Om felmeddelandet fortfarande visas: stäng av strömmen och vänd Landroid upp och ner. Kontrollera om det finns något som kan ha fått Landroid att lyftas upp. Ta bort eventuella föremål, vänd Landroid rätt igen och slå på strömmen.
Batterispänningen är för låg! byt batteri.	Batteriet är tomt.	Stäng av Landroid och ställ den på laddstationen. "Nödladdning" visas och laddningen startar. Om batterifelet kvarstår är batteriet skadat och behöver bytas.
Kabel saknas! Tryck på "START" för att återställa.	Gräsklipparen kan inte upptäcka signalen från begränsningskabeln.	Om LED-indikatorn är röd, kontrollera om gränslinjen är ordentligt ansluten till klämman på laddningsstapeln Om problemet kvarstår, koontrollera att begränsningskabeln inte har skadats.

Batteritemperaturen är utanför intervallet! Vänta.	Temperaturen är för hög (över 55°C) eller för låg (under 0°C) vid laddning.	Placera laddningsstationen på en skuggig plats eller vänta tills den når normal temperatur
Hittar ej laddningsstation! Tryck på "START" för att återställa.	Begränsningskabeln är för lång (över 300 meter), eller också är gräsklipparens batteri för svagt för att den ska kunna återvända till laddstationen.	Flytta Landroid till laddstationen.
Gräsklipparen är låst!	När låsfunktionen 'Lock Function' är aktiverad och Landroid inte tagit emot någon signal från din WiFi-router på 3 dagar låses gräsklipparen för säkerhets skull. Detta kan bero på att din router har blivit strömlös eller att du har bytt WiFi-router eller nätverksleverantör.	Återanslut Landroid till WiFi-nätverket som den ursprungligen parades ihop med. Om detta inte är möjligt, kontakta kundtjänst.

NOTERINGAR

- A. Innan du slår på strömmen ska du alltid kontrollera att Landroid befinner sig inom sitt arbetsområde.
- B. Om du av någon anledning, t.ex. en grillfest eller lekande barn, vill parkera Landroid på laddstationen: tryck på Hem och sedan på OK. Landroid kommer att återvända till laddstationen och stanna där. Observera att Landroid nu kommer att vänta till nästa schemalagda klippning. Om du vill starta den innan dess, tryck på START och sedan på OK.
- C. Om ett fel inträffar upprepade gånger på samma del av gräsmattan kan du ha problem med begränsningskabeln. Se installationsanvisningarna och kontrollera att installationen är korrekt.
- D. Om din gräsmatta är uppdelad i två separata områden som förbinds av en korridor som är mindre än 1 meter bred och ett av områdena inte har någon laddstation, måste du manuellt flytta Landroid till laddstationen när batteriet blir tomt.
- E. Om Landroid uppför sig onormalt då och då kan du göra en återställning genom att stänga av gräsklipparen och ta ur batteriet i 30 sekunder innan du startar den igen. Om problemet inte går att lösa, kontakta vår kundtjänst.

FELSÖKNING

Om din Landroid inte fungerar korrekt, följ felsökningsguiden nedan. Om felet kvarstår, kontakta kundtjänst.

SYMPTOM	ORSAK	LÖSNING
LED-lampan på laddstationen tänds inte.	Det finns ingen ström.	Kontrollera att laddstationen är ordentligt ansluten till laddaren och att laddaren är ansluten till ett lämpligt eluttag.
Rött sken på laddstationen.	Begränsningskabeln är inte ansluten.	Kontrollera att begränsningskabeln är korrekt ansluten till laddstationen. Kontrollera att inga skador finns på begränsningskabeln.
Landroid startar, men knivskivan snurrar inte.	Landroid söker efter laddstationen.	Detta är normalt: när Landroid behöver laddas roterar inte knivskivan medan gräsklipparen automatiskt söker efter laddstationen.
Landroid vibrerar.	Knivskivan är obalanserad. Knivarna kan vara skadade.	Kontrollera knivarna och byt ut dem om de är skadade. Ta bort skräp och främmande föremål från knivarna och knivskivan.
Gräset klipps ojämnt.	Landroid jobbar inte tillräckligt många timmar per dag för att klippa gräset.	Pröva att lägga till fler timmar till klippaschemat.
	Klippområdet är för stort för din Landroid-modell.	Pröva att minska storleken på klippområdet eller öka drifttiden.
	Knivarna är slöa.	Byt alla knivar och skruvar för att balansera knivskivan.
	Klipphöjden är för lågt inställd för gräsets längd.	Höj klipphöjden och sänk den sedan gradvis.
	Gräs eller något föremål har snurrat i sig i knivskivan.	Kontrollera knivskivan och ta bort eventuellt gräs eller föremål som kan hindra den från att rotera.
	Gräs eller något föremål har snurrat i sig i knivskivan.	Kontrollera knivskivan och ta bort eventuellt gräs eller föremål som kan hindra den från att rotera.

Din Landroid befinner sig inom arbetsområdet och begränsningskabeln är ansluten, men skärmen visar “– E1 –”.	Begränsningskabelns ändrar är felaktigt fastklämda.	Låt kabeländarna byta plats och återanslut dem till laddstationen.
Laddningstiden är mycket längre än den angivna laddningstiden.	Dålig anslutning på grund av skräp på laddningsremsan.	Rengör kontaktstiften på laddstationen och laddningsremsan på Landroid med en trasa.
	Laddningens skyddsprogram är aktiverat på grund av för hög temperatur.	Placera laddstationen på en skuggig plats eller vänta tills temperaturen har sjunkit.
Gräsklipparen laddas inte.	Det finns ingen ström.	Kontrollera att elkabeln är ordentligt ansluten till laddaren och att laddaren är ansluten till ett lämpligt eluttag. Se till att båda laddningsremsorna på gräsklipparen vidrör mitten av kontaktremsorna på laddstationen.
Landroids körtid mellan laddningarna har blivit kortare.	Något blockerar knivskivan och skapar friktion, vilket ökar strömförbrukningen.	Lossa knivskivan och rengör den. Gräset kanske är för högt och tjockt.
	Landroid skakar kraftigt eftersom knivskivan är obalanserad.	Kontrollera knivskivan och knivarna, ta bort skräp och främmande föremål från knivarna och knivskivan. Byt ut knivarna mot en ny uppsättning.
	Batteriet kan vara förbrukat eller för gammalt.	Byt batteri.
	Drifttiden är slut	återställ drifttiden
Landroid klipper inte på rätt tid.	Klockan är inte korrekt inställd.	Ställ in klockan på den korrekta tiden.
	De programmerade klipptiderna är inte korrekta.	Ändra inställningarna för Landroids start- och stopptid.
	Procentandelen veckotid som har ställts in av APP har ändrats.	Ställ in rätt procentsats genom APP.
Landroid kan inte docka med laddstationen som den ska.	Yttre påverkan.	Starta om Landroid.
	Dålig anslutning på grund av skräp på laddningsremsan.	Rengör kontaktstiften på laddstationen och laddningsremsan på Landroid med en trasa.
Den gröna lampan på laddstationen tänds innan laddningen är klar.	laddningsbasen är överhettad eller överkyld	Placera laddningsstationen på en skuggig plats eller vänta tills den når normal temperatur
Hjulen på Landroid slirar eller halkar upprepade gånger.	Främmande föremål, exempelvis kvistar och grenar kan ha fastnat under Landroid.	Ta bort främmande föremål som sitter under Landroid.
	Gräsmattan är för blöt.	Vänta tills gräsmattan har torkat.
Landroid kör utanför kabelslingan. Landroid klipper inte ett område innanför en kabelslinga. Landroid backar eller roterar underligt i närheten av begränsningskabeln.	Begränsningskabeln till en annan Landroid eller någon annan typ av robotgräsklippare finns för nära.	Se till att avståndet mellan din begränsningskabel och grannens är minst 1 meter.
	När det är blött kan begränsningskabelns elektriska signal läcka där kabeln har skarvats eller reparerats på fel sätt.	Kontrollera begränsningskabelns skarvar. Isolera för att skapa en helt vattensäker anslutning.
	Begränsningskabelns elektriska signal läcker på grund av trasig isolering.	Reparera skadad begränsningskabel med de medföljande ledningsskarvarna.
Landroid halkar ut ur arbetsområdet på väg nerför en sluttning.	Landroids drivhjul har dåligt grepp.	Kontrollera att hjulen är rena och fria från lera, så att greppet blir så bra som möjligt.

Landroids operativsystem kraschar vid laddning eller standby.	Fel på programvara eller skärm.	Starta om Landroid.
Landroids stängs av när den dockar med laddstationen.	Landroid laddas inte på grund av överhettningsskyddet och stängs av.	Placera laddstationen på en skuggig plats eller vänta tills temperaturen har sjunkit.
	Svag anslutning.	Kontrollera LED-lampan på laddstationen. Kontrollera anslutningen mellan kontaktstiften på laddstationen och laddningsremsan.
Landroid stannar upp i arbetsområdet.	Det finns ett hinder i arbetsområdet.	Ta bort hindret från Landroids arbetsområde.
	Klipphöjden är för lågt inställd för grässets längd, eller också är gräset för tätt.	Höj klipphöjden och sänk den sedan gradvis.
	Den utökade begränsningskabeln får inte vara längre än 350 meter, eftersom signalproblem annars kan uppstå.	Korta ner begränsningskabeln.
	Avståndet mellan gräsmattans mittpunkt och begränsningskabeln ska inte vara längre än 25 meter, eftersom signalen annars kan försvagas.	Minska avståndet mellan gräsmattans mittpunkt och begränsningskabeln så att det inte är längre än 25 meter.
Landroid kantrar.	Det finns ett sluttande hinder på gräsmattan.	Avlägsna hindret från Landroids arbetsområde.
Landroid ansluter inte till internet.	Kontrollera att din router har rätt inställningar.	Se till att din router är på 2,4 GHz. Om din router har två inställningar, aktivera 2,4 GHz-bandet. Se till att din router är inställd på 802.11 och trådlöst blandat läge b/g/n. Kontrollera att din router har funktionen SSID Broadcast aktiverad när du ansluter gräsklipparen med appen. Du kan stänga den när anslutningen är klar. Se till att DHCP-funktionen är aktiverad. Om du har bytt WiFi-nätverk måste Landroid anslutas till det nya nätverket. Om du har en Fritz!box-router ska du aktivera "Allow communication between devices in same network" i inställningarna.
	Kontrollera huruvida routern är frånkopplad eller WIFI-SSID är förändrat	Säkerställ att routern är ansluten och att WIFI-SSID är korrekt
När du justerar "Månad / timme / minut" piper din Landroid,	Det här är normalt	Moturs för att justera.

MILJÖHÄNSYN



Elektriska avfallsprodukter får inte kasseras med hushållsavfallet. Återvinn på återvinningscentraler. Kontakta dina lokala myndigheter eller återförsäljaren för återvinningsråd.

DEKLARATION OM ÖVERENSSTÄMMELSE

Vi,
Positec Germany GmbH
Grüner Weg 10, 50825 Cologne, Germany

På Positecs vägnar förklara att produkten

Beskrivning **Gräsklipparrobot**

Typ **WR165E WR167E WR148E WR147E.1 (100-199 - maskinbeteckning, anger Gräsklipparrobot)**

(Serienummeret är placerat på baksidan) med batteriladdare WA3775 / WA3776 /WA3750.1/ WA3755.1 och laddningsstation WA4002.1

Funktion **Gräsklippning**

Uppfyller följande direktiv,

2006/42/EC, 2014/30/EU, 2014/35/EU, 2011/65/EU&(EU)2015/863, 2000/14/EC ändrad av 2005/88/EC, 2014/53/EU

WR165E WR167E

2000/14/EC ändrad av 2005/88/EC

- Konformitetsutvärderingsprocedur enligt
- Uppmätt bullernivå
- Deklarerad garanterad bullernivå

Bilaga V
65.5 dB (A)
67 dB (A)

WR148E WR147E.1

2000/14/EC ändrad av 2005/88/EC

- Konformitetsutvärderingsprocedur enligt
- Uppmätt bullernivå
- Deklarerad garanterad bullernivå

Bilaga V
61.56 dB (A)
63 dB (A)

Berört notifierat organ

Namn: Intertek, Semko AB (Berört notifierat organ 0413)

Adress: Torshamnsgatan 43164 22 Kista Sweden

Certifiering nr: SE-RED-2001618

Standarder överensstämmer med,

**EN 60335-1:2012+A11+A13+A1+A14+A2:2019, EN 50636-2-107:2015+A1+A2:2020,
EN 60335-2-29:2004+A2+A11:2018, EN 62233:2008, EN 55014-1:2017+A11:2020,
EN 55014-2:2015, EN IEC 61000-3-2:2019, EN 61000-3-3:2013+A1:2019, EN ISO 3744:2005,
EN 300 328 V2.2.2, EN 301 489-1 V2.2.3, EN 301 489-17 V3.2.4, EN IEC 62311:2020,
EN 61558-1:2005+A1:2009, EN 61558-2-16:2009+A1:2013, EN 55011:2016+A11:2020,
EN 303 447 V1.1.1, EN 55032:2015+A11:2020, EN 55035:2017+A11:2020**

Personen som godkänts att sammanställa den tekniska filen,

Namn Marcel Filz

Adress Positec Germany GmbH, Grüner Weg 10, 50825 Cologne, Germany



2020/12/02

Allen Ding

Vice chefsingenjör, tester och certifiering

Positec Technology (China) Co., Ltd

18, Dongwang Road, Suzhou Industrial

Park, Jiangsu 215123, P. R. China



WORX
it's your nature